

## Limit Switches

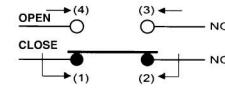
### FEATURES

- Wide choice of heads and actuators
- Variety of operating characteristics.
- Captive cover screws.
- Dustproof, Oil-Tight, Water-Resistant.
- Stainless steel essentials.
- Standard size & dimensions, 1/2" conduit entry.
- Temperature range +15 F to +175 F (-10 C to +80 C).

### RATING

10A	125 or 300 VAC (resistive)
0.8A	125 VDC (resistive)
0.4A	250 VDC
1/2HP	125 VAC
1HP	250 VAC

### CIRCUITRY



All oil tight limit switches are 2 circuit limit switches. 1NO and 1NC circuits. The 1 NO and 1 NC contact arrangement is double break isolated.

### CHARACTERISTICS

Operating speed	1mm to 2m/sec.
Operating frequency	Mechanically: 120 operations/min.
Contact resistance	Electrically : 30 operations/min.
Insulation resistance	15m $\Omega$ max.(initial)
Dielectric strength	100M $\Omega$ min. (at 500 VDC) 1,000 VAC, 50/60 Hz for 1 minute between non-continuous terminals 2,200 VAC, 50/60 Hz for 1 minute between each terminal and non-current-carrying metal part and between each terminal and ground
Vibration	Malfunction durability : 10 to 55 Hz 1.5mm double amplitude
Shock	Mechanical durability : Approx. 1,000m/sec <sup>2</sup> (approx. 100G's) Malfunction durability : Approx. 300m/sec <sup>2</sup> (approx. 30G's)
Ambient operating temperature	Operating : -10 C to +80C
Humidity	95% RH max.
Service life	Mechanically : 15,000,000 operations min. Electrically : 500,000 operations min.
Degree of protection	IEC 529 class IP67

### OVERTRAVEL TYPE

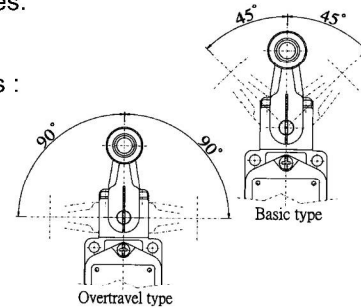
The Overtravel Type is a limit switch which is provided with a greater OT to facilitate dog setting. Since this type is identical to the Basic Type in dimension, both types are interchangeable. The Overtravel Type is classified into two versions-51 series and-52 series.

#### 51 SERIES

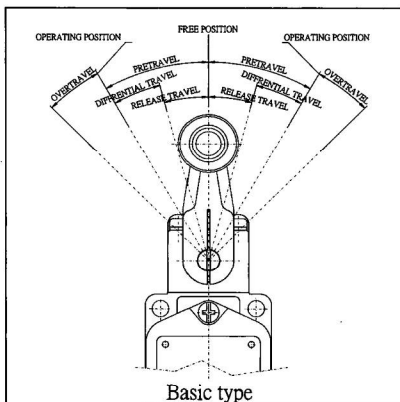
The head of-51 series switch can be installed in any of the four directions : 45o operation on either side-possible

#### 52 SERIES

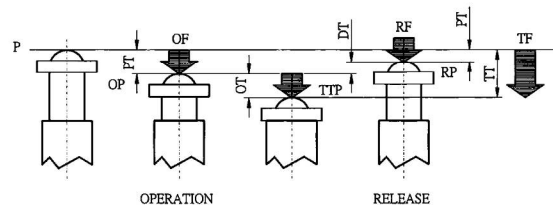
The head of-52 series switch can be installed only in two directions, forward and backward : 90o operation on either side-possible



### ROTARY ACTUATION



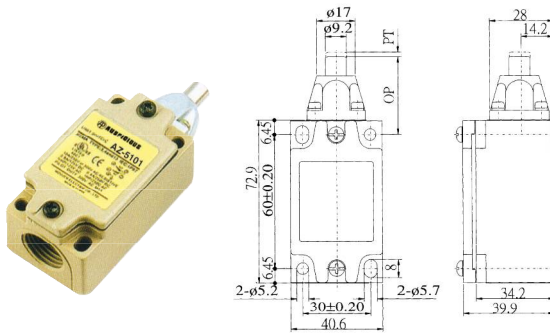
### IN-LINE PLUNGER ACTUATION



Characteristics : OF-Operating Force; PT-Pretravel; OT-Over Travel; DT-Differential Travel; RF-Release Force; OP-Operation Position; TF-Travel Force; RP-Release Position; TT-Total Travel

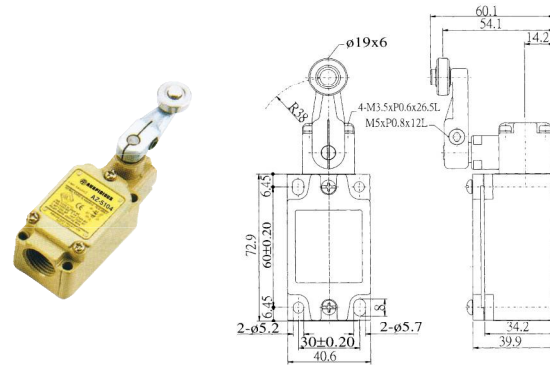
## Limit switches

AZ-5101



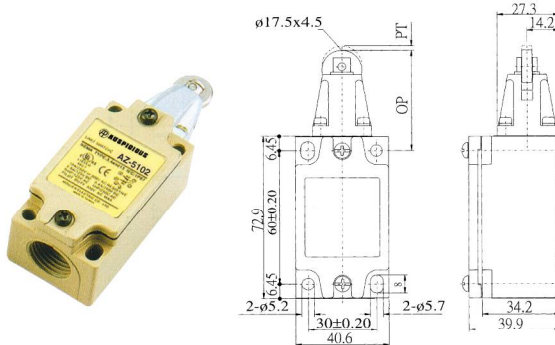
OF MAX	2800g-6 lbs.
RF MIN	900g-2 lbs. Max.
PT MAX	2mm-.070 in.
OT MIN	5.5mm-.200 in. Max.
DT MAX	1.0mm-.040 in.
OP	34±0.8

AZ-5104



OF MAX	1400g-.3 in.lbs.
RF MIN	227g-1/2 lb.
PT MAX	15 to 20
OT MIN	Min. 25
DT MAX	Max. 12
TF:	Max. 2720g-4 in. lbs.
TT:	Min. 43

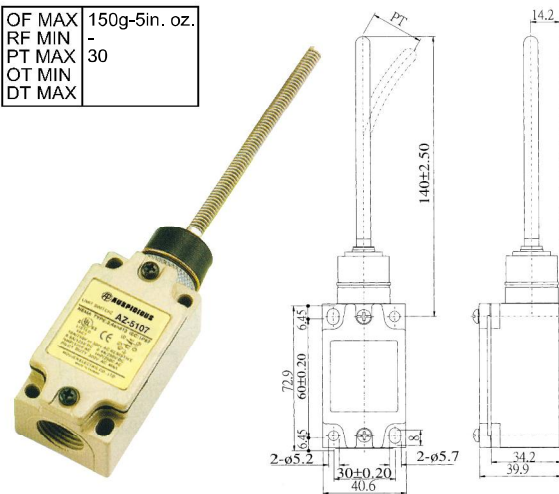
AZ-5102



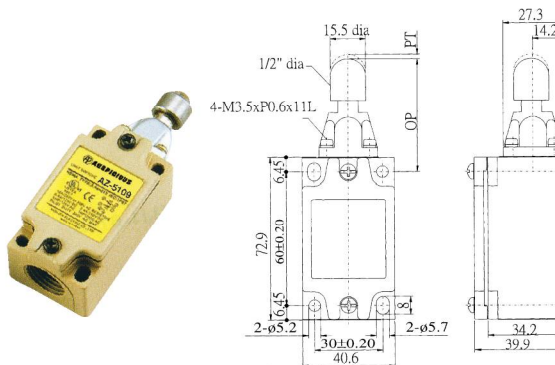
OF MAX	2800g-6 lbs.
RF MIN	900g-2 lbs. Max.
PT MAX	2mm-.070 in.
OT MIN	5.5mm-.200 in. Max.
DT MAX	1.0 mm-.040 in.
OP	44±0.8

AZ-5106

OF MAX	150g-5in. oz.
RF MIN	-
PT MAX	30
OT MIN	
DT MAX	

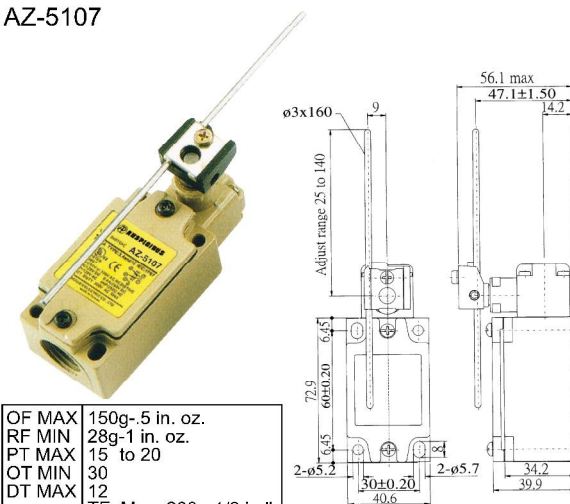


AZ-5109



OF MAX	2800g-6 lbs.
RF MIN	900g-2 lbs. Max.
PT MAX	2mm-.070 in.
OT MIN	4mm-.157 in. Max.
DT MAX	1.0mm-.040 in.
OP	44.5±0.8

AZ-5107



OF MAX	150g-5 in. oz.
RF MIN	28g-1 in. oz.
PT MAX	15 to 20
OT MIN	30
DT MAX	12
TF:	Max. 200g-1/2 in lb
TT:	Min. 43