

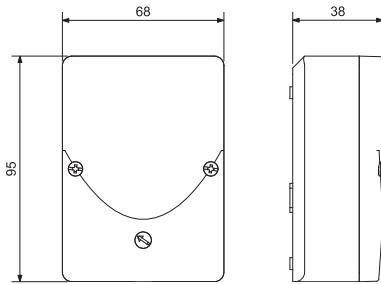


- Adjustable 3 to 300 lux
- Time delay approx. 1 minute before switching takes place
- LED-adjustment aid, without delay
- Fitted for high lamp loads
- Double line entrance from below or through the housings rear panel

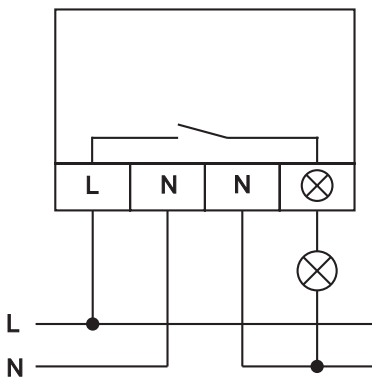
Illuminate

switching controlling counting

Twilight switches 922 000 for wall mounting



922 000



Technical data

Supply voltages	230 V, 50–60 Hz
Power consumption	1 VA
Channel	Normally Open, 16 A 250 VAC
Contact material	AgSnO ₂ + W pre-make contact
Switching capacity	16 A / 250 V~ at cosφ=1 16 A with inductive load cosφ=0.6
Min. switching power	1,000 mW (10 V / 10 mA)
Max. starting current	165 A / 20 msec. (filament lamp) 800 A / 200 µsec. (fluorescent lamp)
Filament Lamp, Halogen Lamp	3,000 W
Fluorescent Lamp uncompensated	3,000 VA
Compact Fluorescent Lamp convent. lamp ballast	1,000 VA
Compact Fluorescent Lamp electron. lamp ballast	4 x electronic lamp ballast, power independent
LED (230 V~) / CFL	400 W
Lux range	3–300 Lux
Switching delay	approx. 1 min.
Permitted ambient temperature	–50°...+50°C
Type of protection	IP 54
Dimensions	95 x 68 x 38 mm
Mounting	Wall
Hysteresis	approx. 50%

Order number	Switching contacts
paladin 922 000	1
Housing colour	