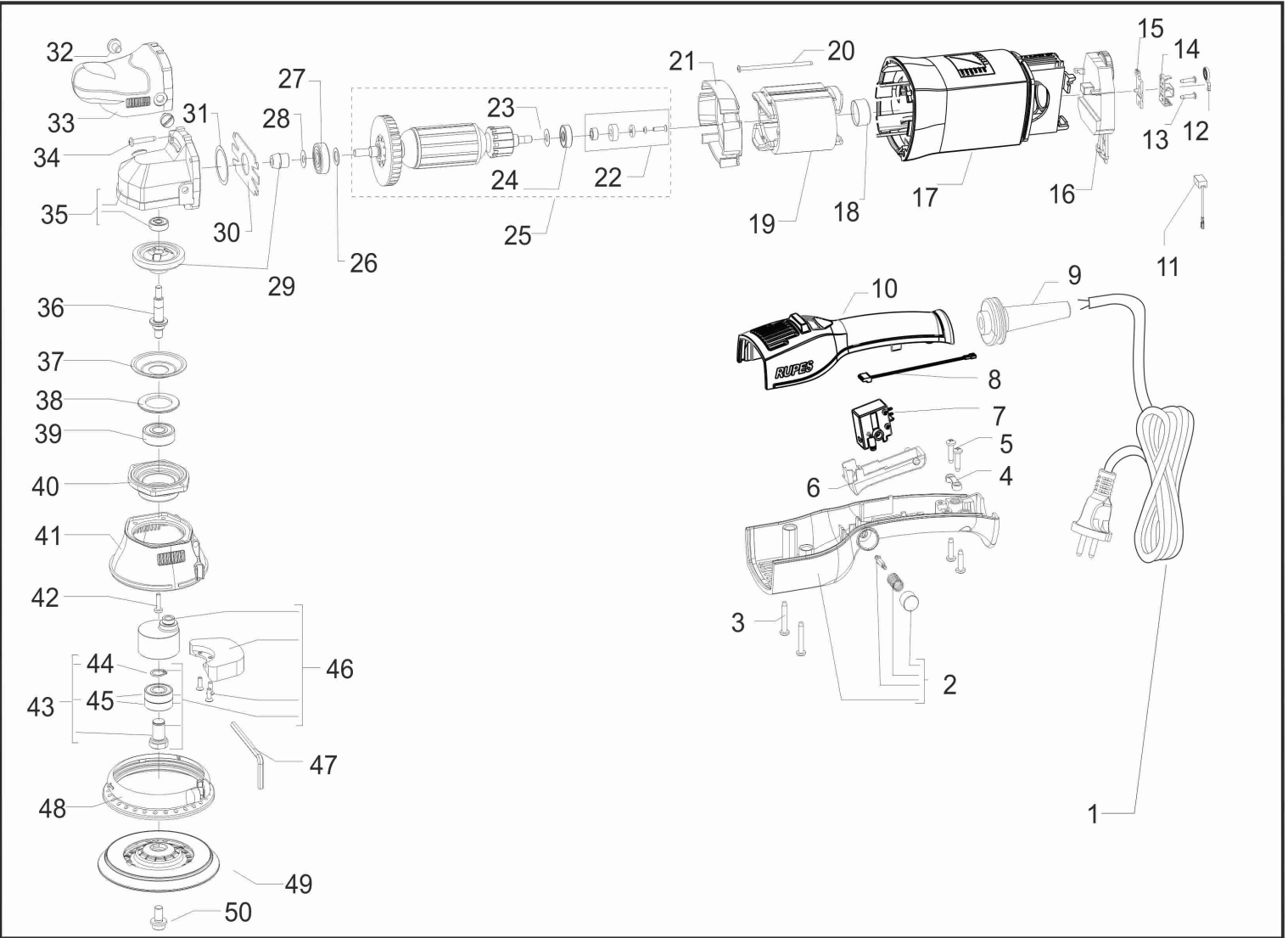


RUPES

LUCIDATRICE ROTORBITALI
 RANDOM-ORBITAL POLISHER

LHR15III



| ID | ITEM | DESCRIPTION |
|-----|----------------|---|
| 001 | 9C2X1,0N489 | CABLE 2X1 (plug Schuko d4,8) mt.9 H07RN-F FLEX |
| 001 | 9C2X1,25VJA9 | CABLE 2x1,25 (plug JAPAN) mt.9 |
| 001 | 9C2X0,8VUS9 | CAVO 2x18AWG spina AMERICANA polarizzata R21 9mt. |
| 001 | 9C2X1,0NGB9FOR | CABLE 2X1 (plug UK) with fork H07RN-F CENTRAL METAL PLUG mt.9 |
| 001 | 9C2X1,0NAU9FOR | CABLE 2X1 (plug Australia) H07RN-F mt.9 |
| 001 | 9C2X1,0RCN9 | CAVO 2x1 (CCC) (spina Cina) mt.9 |
| 001 | 9C2X1,0R409FOR | CABLE 2X1 (plug D4) H07RN-F mt.9 with fork (only Swiss) |
| 002 | 44.374/C | COMPLETE LOWER HANDLE |
| 003 | 9.734 | SCREW X PLASTIC TC+PZ40x16SP |
| 004 | 442.55 | CABLE CLAMP |
| 005 | 9.660 | SCREW 3,9x16 (7x5/8") T.C.C. |
| 006 | 38.374/C | SWITCH BUTTON |
| 007 | 45.372 | GRADUAL SWITCH |
| 008 | 408.374/C | SWITCH WIRING |
| 009 | 42.290 | CABLE SLEEVE SS31TE |
| 010 | 441.374/C | IMPUGNATURA GOMMATA SUPERIORE COMPLETA |
| 011 | 47.105/10 | BLISTER WITH 10 PC. BRUSHES BA215 |
| 012 | 461.105 | SPRING BRUSH HOLDER BA21 BURNISHED |
| 013 | 9.551 | SCREW 2,9x13 (4x1/2") T.C.C. |
| 014 | 46.105 | BRUSH HOLDER BA215-LH18ENS |
| 015 | 462.105 | BRUSH HOLDER PLATE |
| 016 | 400.395/60HZ/C | ELECTRONIC MODULE LHR15III 60HZ |
| 016 | 400.395/C | ELECTRONIC MODULE |
| 017 | 31.395/C | MOTOR BODY LHR15 MARK III |
| 018 | 268.105 | BEARING CAP |
| 019 | 2.394/230S | STATOR (V.230) |
| 019 | 2.394/120S | STATOR (V.120) |
| 019 | 2.394/100S | STATOR (V.100) |
| 020 | 9.787 | SCREW 2,9x70 T.C.C. |
| 021 | 73.322 | AIR BULKHEAD |
| 022 | 405.322/C | COMPLETE MAGNET |
| 023 | 9.318/50 | STEEL WASHER d15 x 6,1 s 0,15 / 50 pcs |
| 024 | 9.14/10 | BEARING 626ZZ 1MC3EJNS75Q |
| 025 | 1.382/230S/C | ROTOR (ARMATURE) 230V |
| 025 | 1.382/120S/C | ROTOR (ARMATURE) 120V |
| 025 | 1.382/100S/C | ROTOR (V.100) |
| 026 | 9.298/50 | STEEL WASHER d15 x 9,1 s 0,5 / 50 pcs |
| 027 | 9.187/10 | BEARING 629 2BRS R66 FA227 |
| 028 | 9.318/50 | STEEL WASHER d15 x 6,1 s 0,15 / 50 pcs |
| 029 | 50.245 | GEAR SET |
| 030 | 351.105 | MOTOR BODY LITTLE COVER |
| 031 | 9.364 | STEEL WASHER d25,9x21 s 0,1 |
| 032 | 812.91 | SCREW M8 x 15 T.C.IN NYLON A T. |
| 033 | 814.395/C | COMPLETE FRONT HOUSING LHR15 MarkIII |
| 034 | 9.679 | SCREW 4,2x25 (8x1") T.C.C. |
| 035 | 32.326/C | GEAR BOX |
| 036 | 51.245 | SPINDLE SHAFT |
| 037 | 35.105 | FLANGE PLATE BA21-SL41 |
| 038 | 54.245 | SPACER GEAR BOX |
| 039 | 9.184/10 | BEARING 6201 2BRS R66 FA227 |
| 040 | 33.245 | FLANGE |
| 041 | 65.245 | PROTECTIVE CAP |
| 042 | 9.835 | SCREW M4 x 20 T.C.C. 8G BURNISHED + |
| 043 | 56.245N/C | ECCENTRIC SHAFT ASSEMBLY |
| 044 | 9.102 | SEEGER d 12 TIPO E DIN 471 CR3 PHOSPHATE |
| 045 | 9.182/10 | BEARING 6001 DDWCM J NS75Z |

| ID | ITEM | DESCRIPTION |
|-----|-------------|---|
| 046 | 58.196N/C | ECCENTRIC ASSEMBLY |
| 047 | 9.1395 | ALLEN SPANNER 5mm |
| 048 | 651.246 | RUBBER SHROUD LHR15 |
| 049 | 980.027N/50 | BOX 50pcs Ø 125mm PAD VELCRO M8 FOR LHR15ES |
| 049 | 980.027N/5 | BOX 5pcs Ø 125mm PAD VELCRO M8 FOR LHR15ES |
| 050 | 9.715 | SCREW M8 x 16 T.B. ZINC-PLATED WITH WASHER |