

An aerial photograph of a marina at sunset. In the foreground, several white yachts are docked at a wooden pier. The water is calm, reflecting the golden light of the setting sun. In the background, a city skyline is visible under a sky filled with soft, golden clouds. The overall atmosphere is serene and luxurious.

*Haven*  
DOCK & MARINE

---

PRODUCT CATALOG

---



No one is more dedicated to providing you the highest quality marine products with legendary service than Haven Dock & Marine – all at the most competitive prices. We stock a huge inventory so you can receive your orders fast!

Packed in the pages of our newest catalog you will find many unique and brand new items, as well as all of your standard products and all-time favorites. We are also the sole manufacturer and distributor of the best fenders on the market – Fend-All® Fenders. ALL products manufactured or sold by Haven Dock & Marine have been thoroughly tested in the waterfront environment and are designed for years of dependable service.

If you have any questions about our product line, or would like to place an order, please call us at 954-462-9047.

# Haven

## DOCK & MARINE

245 SW 33rd St.  
Ft. Lauderdale, FL 33315  
Phone 954-462-9047  
Fax 954-944-2928  
orders@havendocks.com  
havendock.com

### CONTENTS

Harbor Exports Linecard .....	3-4
Fend-All® Dock Fenders .....	5-7
Fend-Off® Dock Fenders .....	8-9
Fender Braces .....	10
Dek-O-Blocks .....	11
Piling Caps .....	12
Dock Ladders .....	13-14
Lighting .....	15-19
Dock Power by EATON .....	20-21
Floating Docks / Work Floats .....	22-24
Fish Cleaning Tables .....	25
Outdoor Showers / Hose Holders .....	26
Dock Boxes .....	27-29
Mooring Systems .....	30
Mooring Whips .....	31
Seahorse Docking .....	32
Cleats .....	33
Benches .....	34
Decks & Docks Lumber Locations .....	35

# Harbor Exports



## LINECARD

**We make importing top-quality construction materials to the Caribbean, Central America, and South America a breeze. If you need it, we'll help get it to your construction site.**

Composite decking  
Concrete  
Decking sealer  
Dock fenders  
Dock pilings  
Doors  
Drywall

Engineered wood  
Exotic hardwoods  
Floating docks  
Hardware  
Insulation  
Lighting  
Lumber  
Marine-grade lumber

Plywood  
Power pedestals  
Railing  
Rebar  
Seawall  
Siding  
Trim & molding

**ONE-STOP SHOP**

**CUSTOMER-ORIENTED**

**QUICK DELIVERY**

**WANT MORE INFO? CONTACT US TODAY!**

[orders@harborexports.com](mailto:orders@harborexports.com)

+1 (954) 834-6200

[www.harborexports.com](http://www.harborexports.com)

## OUR PARTNER BRANDS



## STRENGTH AT THE CORE. DURABILITY BY DESIGN.

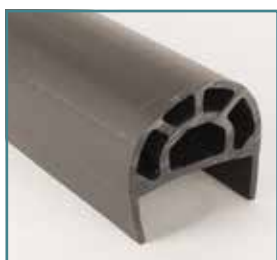


**FEND-ALL®  
Dock Fenders  
are the  
highest quality  
dock fender  
on the  
market today!**



Haven Dock & Marine is proud to be the sole manufacturer and distributor of the best dock fenders on the market. FEND-ALL® Fenders are the ONLY continuously supported, double wall fenders available with an internal high-energy absorption web. This unique design, combined with a special UV stabilized

material, makes the FEND-ALL® line of fenders the standard bearer for all marine fenders. They are made of special PVC and are designed to face the harshest climates. FEND-ALL® fenders are trademarked and patented. They have a life expectancy of 10+ years and come with a 3-year warranty. What more could you ask for?



**Unmounted**



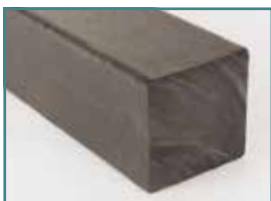
**Mounted on 2" x 4"**



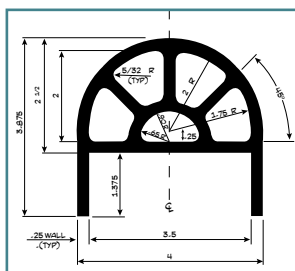
**Mounted on 4" x 4"**



**2" x 4" Plastic Lumber**



**4" x 4" Plastic Lumber**



Stainless steel and galvanized mounting hardware available.

### ◀ Fend-All® Bumpers

Standard lengths of 6', 8', 10', and 12' available in black or white. These fenders are designed primarily for vertical application to a piling or bulkhead. They can be mounted horizontally as well. Also available mounted on 2 x 4 or 4 x 4 recycled plastic lumber. Used for vessels from tenders to large yachts.



### Caps

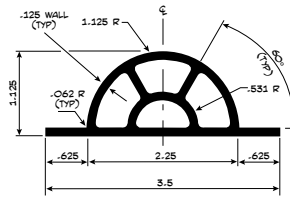
Caps for Fenders available in black and white.

To locate a FEND-ALL® Dealer in your area, or to become a FEND-ALL® Dealer, visit [FendAllFenders.com](http://FendAllFenders.com).

Look Inside, See The Difference

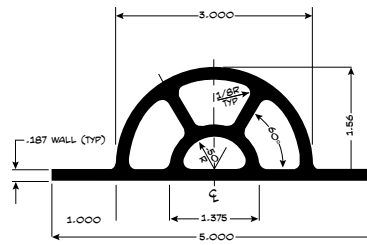
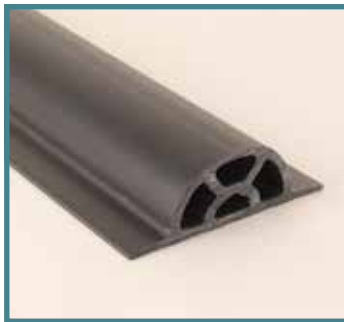


## FEND-ALL® FA 50



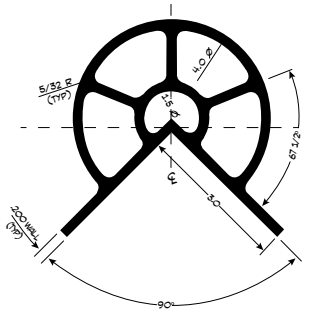
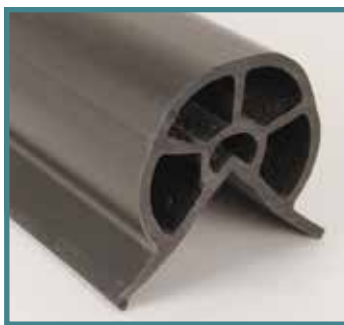
This fender is intended for use with small boats up to 30', or in areas where a lower profile fender is necessary due to space restrictions for slightly larger vessels. This is possible due to the internal high-energy absorption web. It is available in a standard length of 10' only, black or white.

## FEND-ALL® FA 250



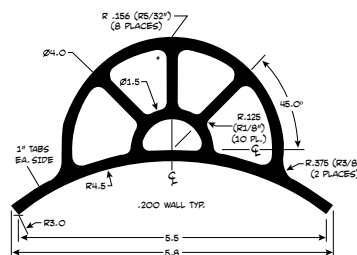
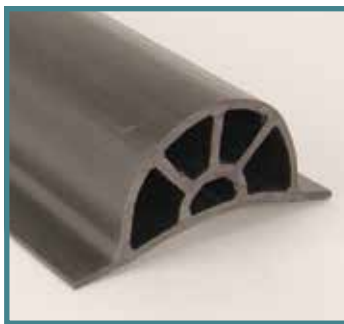
This fender has larger dimensions and a greater wall thickness for use with larger vessels. It can be mounted vertically on piling or used horizontally on the side of the dock. Intended for use on medium sized boats up to 60'.

## FEND-ALL® FA 300



A revolutionary design in corner fenders, this fender can be installed both vertically and horizontally. It is used primarily to protect vessels from sharp protruding corners or bulk-heads. Its internal high-energy absorption web can handle a variety of different size vessels. Available in 10' and 12' lengths, black or white in color.

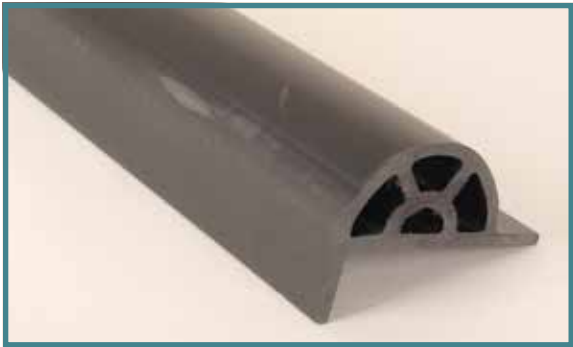
## FEND-ALL® FA 400



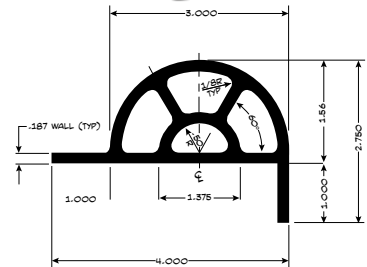
Your answer for maximum protection in narrow slips with no need for special fasteners, this fender is designed to be mounted directly to pilings using stainless steel nails. It is available in 6', 8', 10' and 12' lengths, black or white in color. Suitable for boats up to 80'.

# STRENGTH AT THE CORE. DURABILITY BY DESIGN.

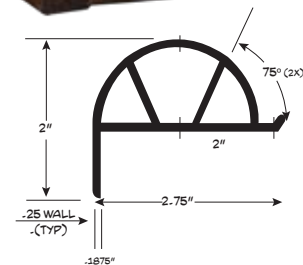
## FEND-ALL® FA 201



This fender is generally used in horizontal applications and is a perfect heavy duty fender for use on floating docks. It is available in a standard length of 10', in black or white. With its larger dimensions, greater wall thickness, and internal high-energy absorption web, the FA 201 can handle vessels much larger than the typical floating dock fender available on the market today.



Dock builders, marinas and smaller boat owners asked for profiles with lighter duty wall sections to provide protection for their applications. In response, we offer this edging product, made from the same quality marine grade resins and with the same double molding process as other FEND-ALL products. It is available in 10' lengths in black or white. Height 3-1/8" x Width 2".



## SS Roofing Nails



We recommend installation of all our fenders with 1-1/2", 316 grade stainless steel, ring shank nails. Available by the pound or by the case.



**Fend-Off® Light Duty  
FOLDB  
Vessels to 35'**



**Fend-Off® Medium Duty  
FOMDB  
Vessels to 80'**



**Fend-Off® Heavy Duty  
FOHDB  
Vessels to 125'**

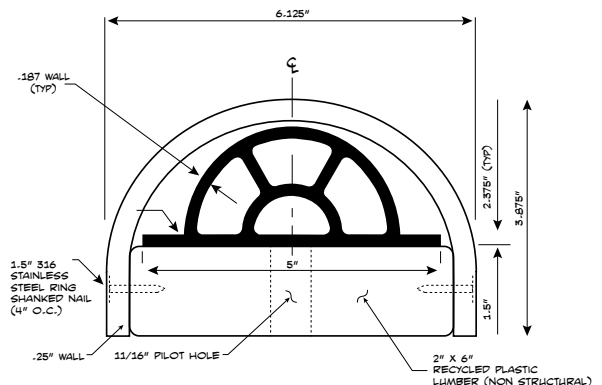
## FEND-OFF® Dock Fenders

These dock fenders not only provide maximum protection for a vessels hull, but will stand up to the harsh marine environment. The outer shell is made of flexible PVC with spun polyester fiber, which is attached to recycled plastic lumber. Fasteners are 316 stainless steel full annular ring shank nails. They are designed to provide a protective barrier between hard surfaces such as docks, seawalls, pilings, and the hulls of boats and yachts. They are available in black in standard lengths of 6', 8', 10', and 12'. Custom fenders are available upon request.



## Concrete Pile Extra Heavy Duty (CP) FOCPB

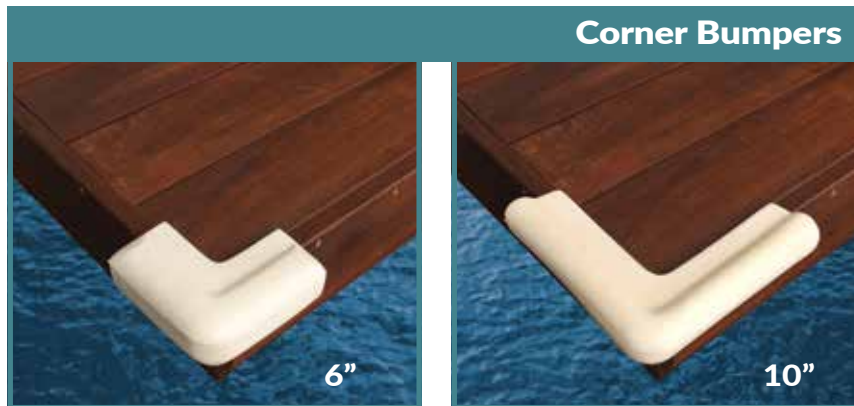
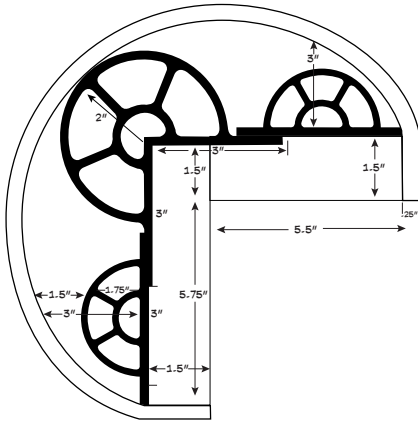
These fenders are designed for vessels up to 150' in length. This system provides maximum protection for the berthing of large yachts against concrete. They are available in black in lengths from 2' to 10'.





## Concrete Corner Dock Fenders FOCOB

This 90° horizontally or vertically mounted corner fender is designed and engineered specifically for concrete corners. The placement of the mounting holes is designed to prevent the corner of the concrete from cracking. They are available in black, in lengths from 2" to 10'.



Designed with a flat end to mate with most dock bumper extrusions. It offers 6" or 10" of protection on two sides of the dock corner, with a side height of 4". Made from non-yellowing, very tough, marine grade vinyl. Available in white or black.



Available in Black or White



## Fender Braces

When pilings are not available for mounting the fenders, fender braces provide a strong, solid place to mount them. Made of marine grade structural aluminum I-beams and aluminum plates, these braces can be made to accommodate almost any situation.

The FEND-ALL® or FEND-OFF® Fenders, mounted on plastic 4x4's, are thru-bolted using stainless steel bolts. Standard braces are 1', 2', 3', 4', 6' and 8'. Custom braces and U channel brace are available upon request.

Powder Coating Available.  
(White Powder Coating Pictured)



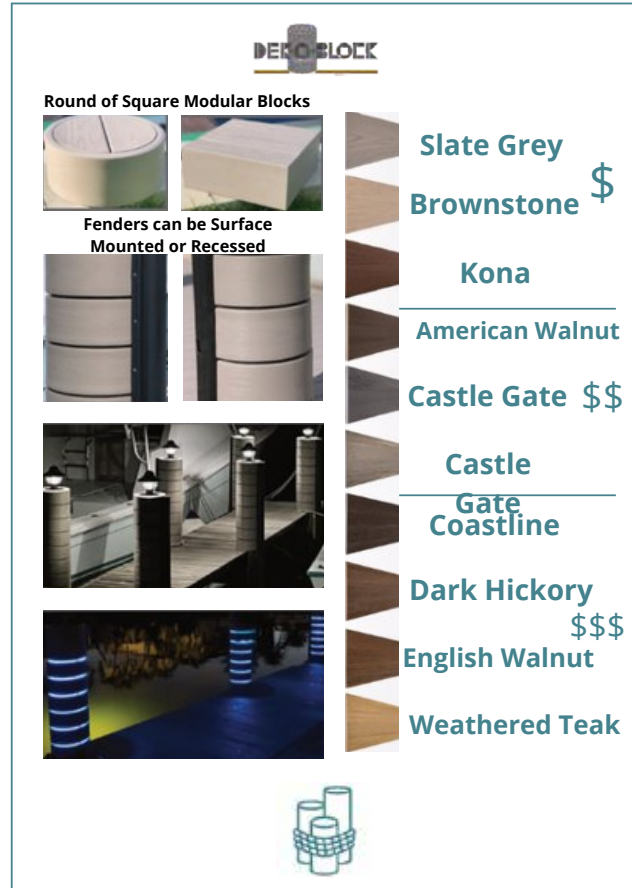
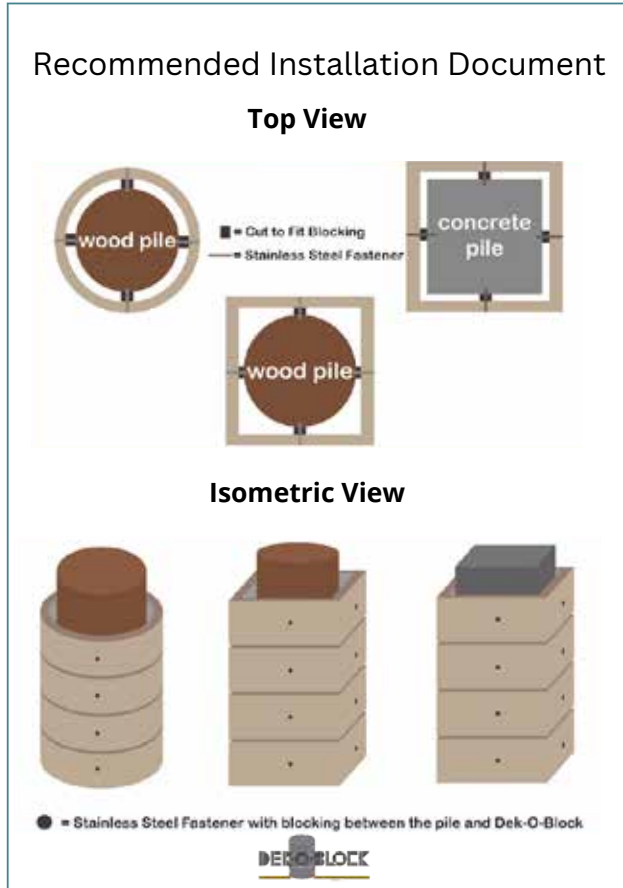
## Aluminum Corner Fender Braces

Need to bolster your deck but don't have a piling available to mount your fenders in every area? Try these fender braces for the same strong, solid control to make almost any area mountable.

Marine-grade Aluminum I-beams plus aluminum plates provide an affordable option that doesn't skimp on security or safety for your marina. Don't worry with pilings and the other heavy-duty installation efforts. Aluminum dock braces are designed to withstand harsh marine environments. Choose from 10 different length options and contact us for support including how to add Fend-All®.

S-Cleats sold in addition to braces.

# DEK-O-BLOCKS



## What are Dek-O-Blocks?

Say goodbye to ordinary dock pilings. Dek-O-Blocks is changing the game with round or square, modular, interlocking blocks made of composite lumber. The Blocks are easy to install and simply slip over the pile. Stack them 1 by 1 around your existing dock piling to create a contemporary, elegant and durable alternative. Dek-O-Blocks come in 10 different colors to match or contrast your existing dock materials. Dek-O-Block can be installed at any time, new construction on your existing aged dock. The blocks can be installed with or without dock fenders and when fenders are used they can be recessed into the blocks or surface mounted. Dek-O-Blocks are made in the USA and eco friendly by incorporating up to 80% recycled materials in their manufacturing and 100% recycling of fabrication waste.



Square Cone



Square Flat



Round Flat

## Piling Caps

The superior line of piling caps is offered in 26 sizes from 6" to 18" (in 1/2" increments), in both black and white. Round cone is also available in green. An injection-molded process makes these caps superior in strength, flexibility, and dimensional consistency. The material contains mildew inhibitors and is UV stabilized. These piling caps will stand up to the harsh marine environment, keep birds from roosting, and protect pilings from internal rot which extends the life of pilings for many years. When ordering piling caps, if the piling measures an uneven increment, order the next half-size up.

Example: if piling measures 9-1/4", order 9-1/2" cap.



Round Cone

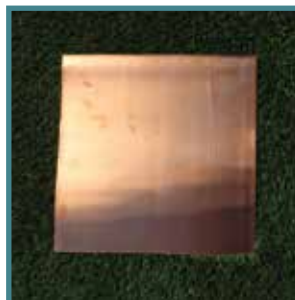


## Enhance your deck with the elegance of Copper Piling Caps

**Solid Natural Copper  
Post & Piling Caps**

**Quality products made  
to stand the test of time**

**Cap diameters made  
on the 1/4" increments  
to achieve a great fit**

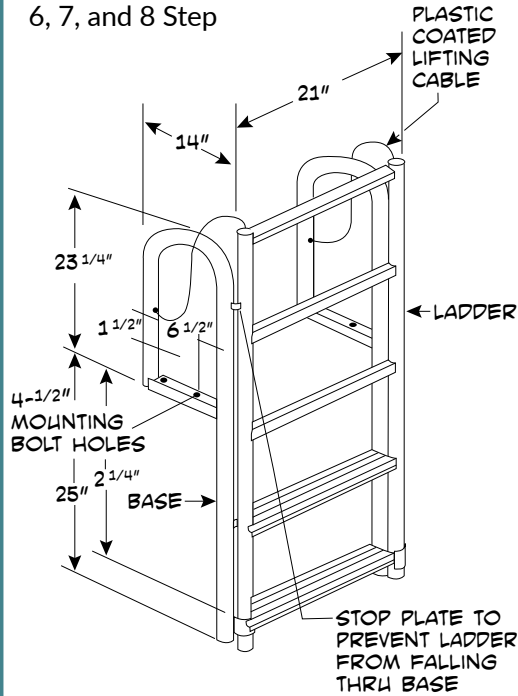


## Standard Lift Ladder

Manually lift up when not in use. Ladder stores upright completely out of water. Lift 250 lb. capacity.



Available in 3, 4, 5, 6, 7, and 8 Step



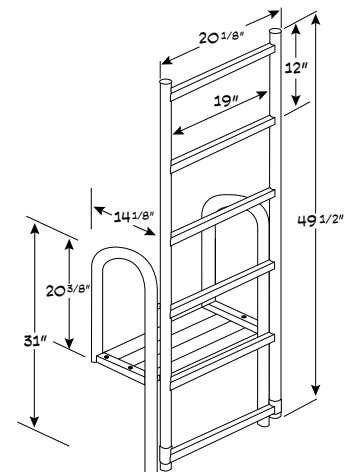
## Dock Ladders

All ladders are made of high quality Series 6000 marine grade aluminum and TIG welded for superior strength and rigidity. They feature grooved ladder rungs, which allow for extra traction and water run-off. Each step equals approximately 1' down from the top on the mounting surface (i.e. 5 step ladder = 5' down from deck). Custom designs, wide tread and custom lengths are available upon request.

## Floating Dock Lift Ladder

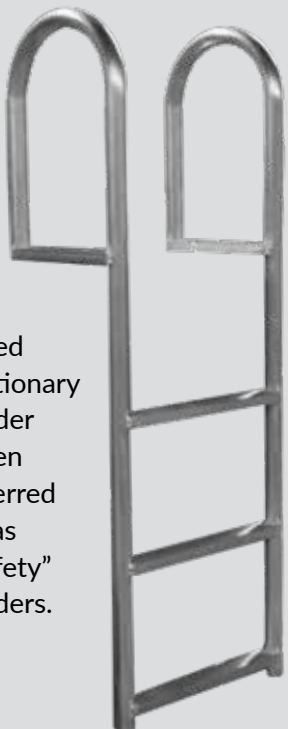


The same as our standard lift ladder, but with a shorter base to remain above water level, when mounted on a floating dock. Available in 3, 4, 5, and 6 Step.

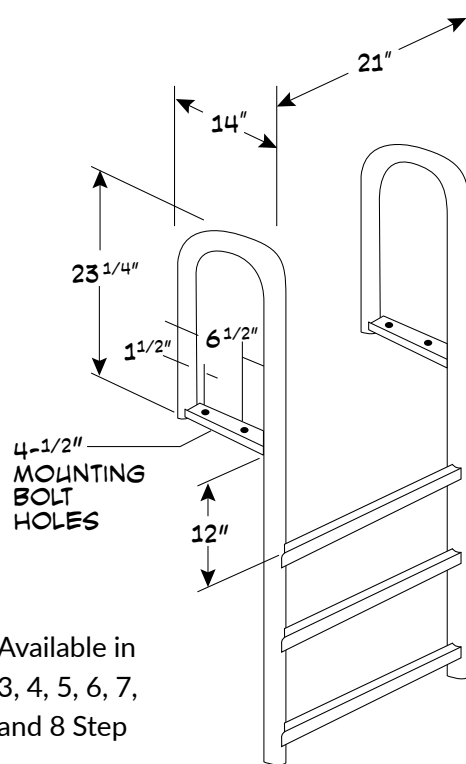


## Straight Ladder

Fixed stationary ladder often referred to as "safety" ladders.



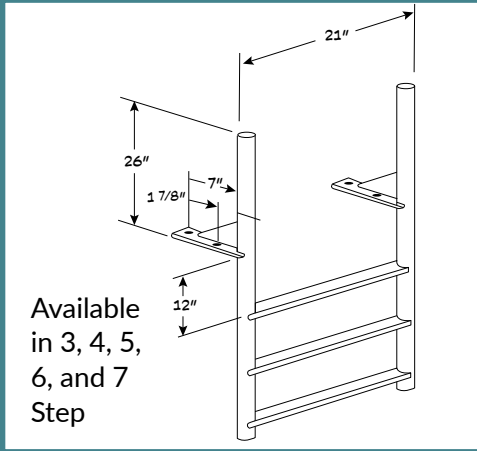
Available in 3, 4, 5, 6, 7, and 8 Step



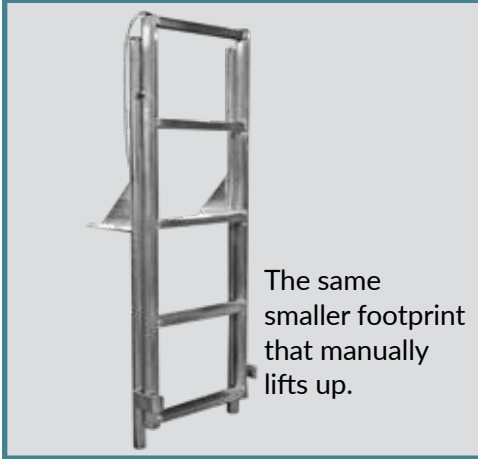
### Finger Pier Ladder



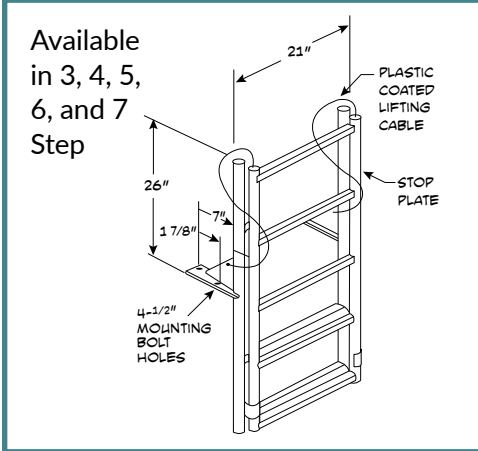
For use when dock space is limited.



### Finger Pier Lift Ladder



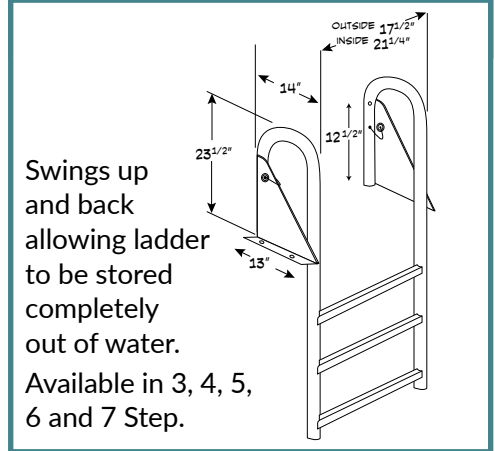
The same smaller footprint that manually lifts up.



### Swing Ladder



Swings up and back allowing ladder to be stored completely out of water. Available in 3, 4, 5, 6 and 7 Step.



## FloatStep® Dock Ladders

Presenting the award-winning, patent-pending FloatStep® Dock Ladder



City of West Palm Beach Docks  
4 Step model –  
great for floating docks

- Fabricated with marine grade 6000 series aluminum
- TIG welded construction by AWS Certified welders
- Provides safe access at any water level or tide on floating or fixed docks and seawalls.
- The only dock ladder that automatically adjusts to water level changes keeping the ladder section free of marine growth.
- Durable molded plastic float with buoyancy control valve.
- Optional upgraded FloatTrak™ system now available! Recommended for rough water environments.
- Available in 3, 4, 5, 6, 7, 8 steps



City of Key West Docks  
5 Step model

## Choose Your Lighting Style



**DL-13A**  
Oxford Wharf  
Light (shown with  
3" round pole)



**DL-15**  
New England  
Wharf Light  
(piling mount)



**DL-5**  
Small Pagoda Light  
(shown with small  
Tuscany wall mount arm)



**DL-14**  
New England Double  
Wharf Light (shown with  
3" round pole)

## Choose Your Pole/ Mount Options

Round & Square Poles  
available in  
1', 3', 5', 7', and 9'

**DL-4**  
4" Square  
Pole



**DL-3**  
3" Round Pole



Pagoda Light  
mounted on  
a flange



## Choose Your Finish



Rusty  
Iron

Pompeii  
Gold

White

Gloss  
Black

Patina

Our cast aluminum light fixtures come in a wide variety of colors and finishes to match any outdoor décor. They are powder coated to hold up in a marine environment so they are perfect for dock lighting. Single, double and piling mounted fixtures are available in heights from 1' to 9' tall. Mounting options include 4" square posts, 3" round posts, wall mount arms and direct mount flanges. Additional options include on/off switches, single outlets and double outlets.

## DOCK LIGHTS



DL 105C (Clear)



DL 105 PAIR (Clear) (Red-Green)



DL 105DPL



DL 106C (Clear)

PILING & SURFACE MOUNT



DL 106 PAIR (Red-Green)



DL 107C



DL 107A



DL 400



DL 401



DL 401P (Patina)



DL 450



DL 700



DL 733



DL 734

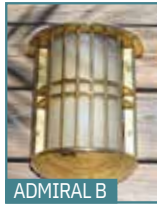


DL 950C (Clear)



DL 950 SET (Red-Clear-Green)

BRASS WALL & SCONCE



ADMIRAL B



FISHERMAN B



VENETO B



DL 100



DL 101



DL 103



DL 103A



DL 114



DL 250 M-L



DL 251 S-M-L



DL 321



DL 405



DL 500 / 501



DL 519



DL 704



DL 705



DL 736



DL 830



DL CWS



DL SLIM

HANGING



DL 108



DL 111



DL 123



DL 126



DL 275



DL 360



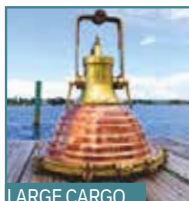
DL 361



DL 374



DL 147 S-M



LARGE CARGO



SORRENTO



VINTAGE COPPER LIGHTS



VINTAGE HANGING CARGO LIGHTS





### Solar Piling Lights

The 8" Solar Piling Light is the most advanced, robust, and aesthetically appealing solar piling light to hit the market!  
Available in White or Black finish with color changeable LEDs (White | Blue | Amber)



### Solar Piling Pagoda Lights

The Solar Pagoda Light provides the classic Florida dock appearance without electrical wires.  
Available in White finish with color changeable TEDs (White | Blue | Amber)



### Solar Deck Lights

Industrial strength solar powered dock light made from marine grade anodized aluminum for superior protection in harsh marine environments.  
Available with White or Blue LEDs



### 4pk Solar Dock Dots

The smallest, solar lights you have ever seen! Easy to install in minutes with a quick 1-3/8" drill bit or hole saw.  
Available in White, Blue, Green, Amber, Turquoise, Red or Amber LEDs



### 1nm Solar Marine Lights

1-Nautical Mile Solar Light with constant or flashing lighting modes. Multiple illuminating colors to choose from. Great for dock fishing, channel markers, buoys, and more...  
Available in White | Blue | Green | Amber | Red



### 10" Solar Cleat Light

10" Marine grade anodized aluminum cleat that will illuminate the dock surface. No more dock hazards and no more stubbed toes at night!  
Available with White LEDs only.



### Solar Caps for Trex Transcend Posts

Advanced, powerful, robust, solar caps for Trex Posts gives your deck the ambience and elegance desired. Choose between 3 LED colors, with 7 adjustable brightness levels.



### Solar Caps for AZEK & TimberTech Posts

Solar Caps for AZEK and TimberTech brand deck posts offer the desired ambience and mood. 3 LED colors to choose from, as well as 7 adjustable brightness settings.



### Solar Caps for 5x5 & 4x4 Vinyl Post

Transform your 4x4 or 5x5 vinyl posts with powerful, robust, solar caps. Choose between 3 LED settings, with 7 adjustable brightness settings.



### Solar Caps for Wood 4x4 Posts

Solar Post caps for 4x4 wood posts transform any fence or deck. Available in White LEDs with 7 adjustable brightness settings.

## Powerful Underwater Dock Lights

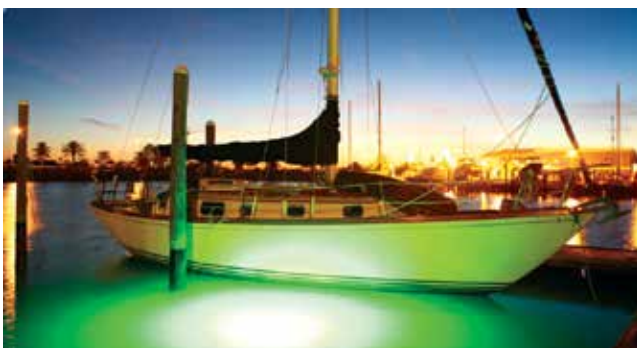
Deep Glow lights are up to 60% brighter than other underwater dock lights. Reflecting all of the available light towards the surface creates a much brighter glow than other underwater lights. Depending on water clarity and depth, our lights can illuminate a diameter of up to 30 feet!

Our lights can withstand prop wash, wave action and even impact from cast nets. They are the toughest and lowest profile lights available, helping to avoid damage from outboard motor skegs and fishing lines.

Deep Glow Lights are not only the toughest lights in the industry, they are brighter, easy to install and are well known for attracting fish.

Deep Glow products are environmentally safe and emit ultraviolet, colored light designed to attract and excite a variety of marine life. The lights begin to attract baitfish, which then attracts larger fish. As time passes, the fish become accustomed to visiting the light nightly since it produces a readily available food source.

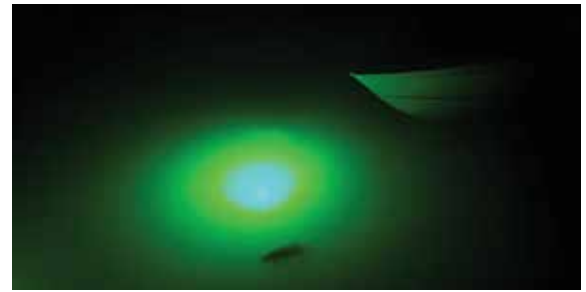
Bulb/Lamp: 150 Watt Metal Halide Lamp Over 10,000 Lumens Superior Color – Green, Blue, Red and Clear  
Rated Average Life of 5500 Hrs.



Anglers LED advanced underwater lighting system is like no other. The patent pending design is an energy-efficient system without sacrificing power or luminosity.

Set up so simple – unbox, drop into the water, and plug in. Within minutes you'll be enjoying your new waterfront oasis.

- Energy-efficient LED uses up to half the power of conventional bulb systems
- Low-voltage LED means no high voltage going into the water, providing a safer swimming environment
- Precision machined aircraft aluminum body with triple o-ring seal guarantees a leak-free system
- Designed to reflect light and heat to the 1/2" thick lens which virtually eliminates algae and barnacle growth
- Waterproof power supply with water resistant GFCI protection
- Engineered with a lower center of gravity, allowing it to be tossed into the water, making installation simple and quick
- Modular design allows multiple lights to connect from one power supply
- Pressure tested to 150 psi, or 345 ft
- Utilizes a true vivid green LED light, unlike conventional yellow metal halide bulbs
- 50,000 hour LED vs. 5,000 hour metal halide
- Patent pending design
- 1 year manufacturer defect warranty



SL-18-LEDSBAR

SL-07-LED3BRS



**SL-18-LEDS • DECK & DOCK LIGHT:**  
CAST STAINLESS STEEL, BRASS OR ALUMINIUM  
FEATURES 2w, 40,000 HOURS LED Strip



SL-18-LEDSBRS



SL-18-LEDSBAT



**SL-07-LED3 & SL-07SM-LEDM • DECK & DOCK LIGHT:**  
CAST STAINLESS STEEL, BRASS OR ALUMINIUM  
FEATURES 3w, 50,000 HOURS LED • AVAILABLE IN 3.75" & 2.75"  $\phi$  Models



SL-07-LED3SS



SL-07-LEDBRS



SL-07SM-LEDMBAT





## Lighthouse

The most popular power pedestal on the market, the Lighthouse pedestal has a wide range of features. With units in service around the world, this stylish power pedestal is recognized for its practicality and exceptional durability. Its heavy resin housing with a two-part polyurethane coating provides a UV resistant, long lasting finish.

## Lighthouse SS

The Lighthouse SS offers the same standard features and available options as the Lighthouse, but is made with a long lasting 316L stainless steel. The housing comes with a limited lifetime warranty for superior quality and performance. Additional options include single and three-phase 100A receptacles with ground fault protection.



## Admiral SS

Truly the flagship of our unitized pedestal line, the Admiral SS possesses amperage capabilities up to 500 Amps. Voltages of 480/277 three-phase, 120/240 single-phase, 120/208 three-phase and combinations of these receptacles, can be included in one unit to serve nearly any size MegaYacht. Truly unique dual voltage options set the Admiral SS apart from all other power pedestals. Special 200A receptacle options available.



## Pedestal Features:

- 360° 4W LED Lighting standard
- Lockable weatherproof doors standard
- NEMA 3R enclosures standard
- Digital electronic sub-metering available
- Single & Dual Water Values options
- GFCI breakers & receptacles offered in 5mA and 30mA
- 20A, 30A, 50A, power receptacles configurations available



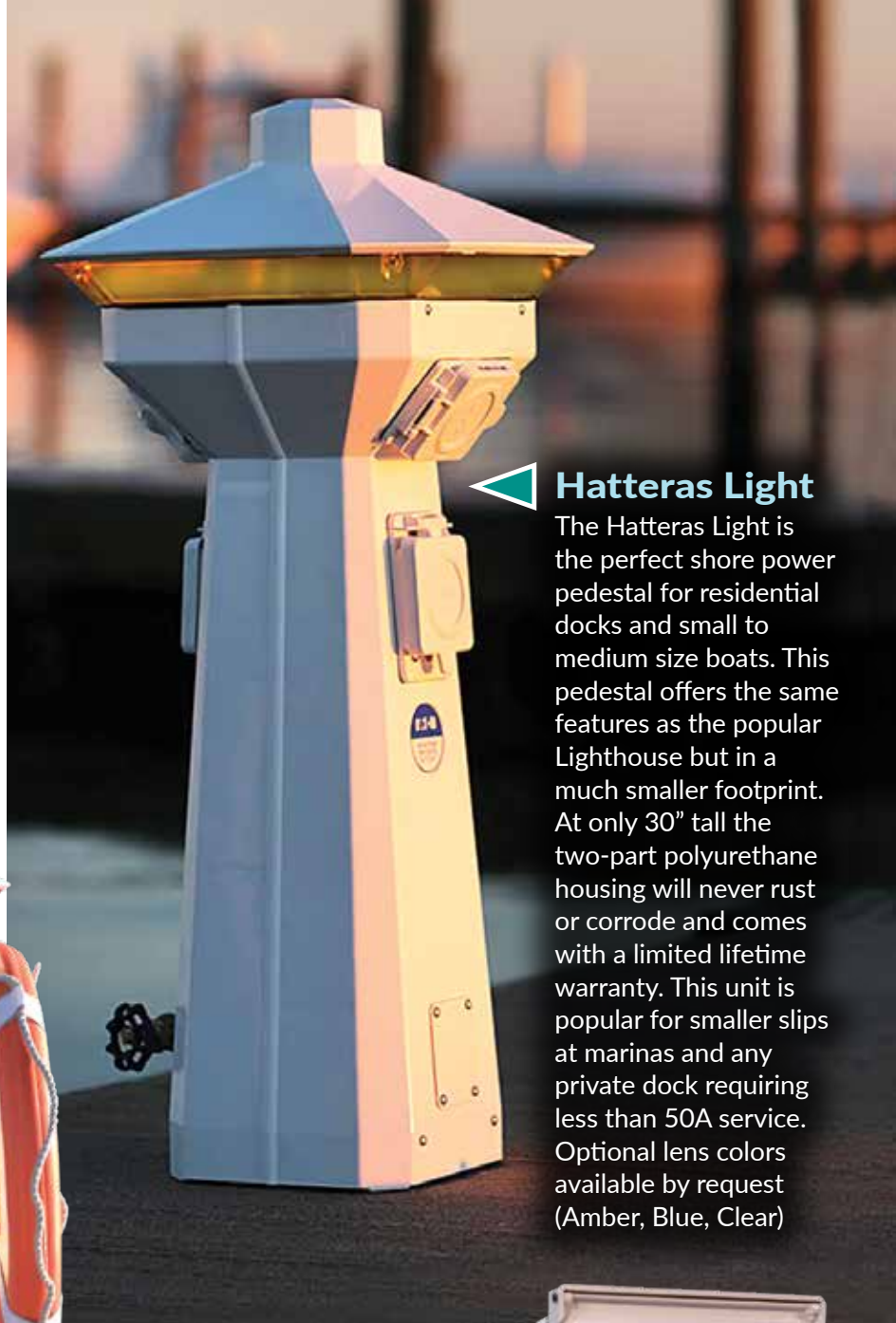
### Firehouse

Created as a complete solution for fire and rescue needs, this pedestal features fire extinguisher storage and a mounted alarm strobe light and siren, as well as an optional life ring. The alarm strobe light and siren can be automatically activated when the door is open or optional life ring is removed. Fully complying with NEC and NFPA code requirements, this pedestal provides safe access to emergency equipment in a compact form.



### Mariner

The Mariner is a lighting bollard that provides ambient dock lighting while occupying limited dock space. This unique product can be customized to meet any height requirement from 1.5' to 4' tall.



### Hatteras Light

The Hatteras Light is the perfect shore power pedestal for residential docks and small to medium size boats. This pedestal offers the same features as the popular Lighthouse but in a much smaller footprint. At only 30" tall the two-part polyurethane housing will never rust or corrode and comes with a limited lifetime warranty. This unit is popular for smaller slips at marinas and any private dock requiring less than 50A service. Optional lens colors available by request (Amber, Blue, Clear)

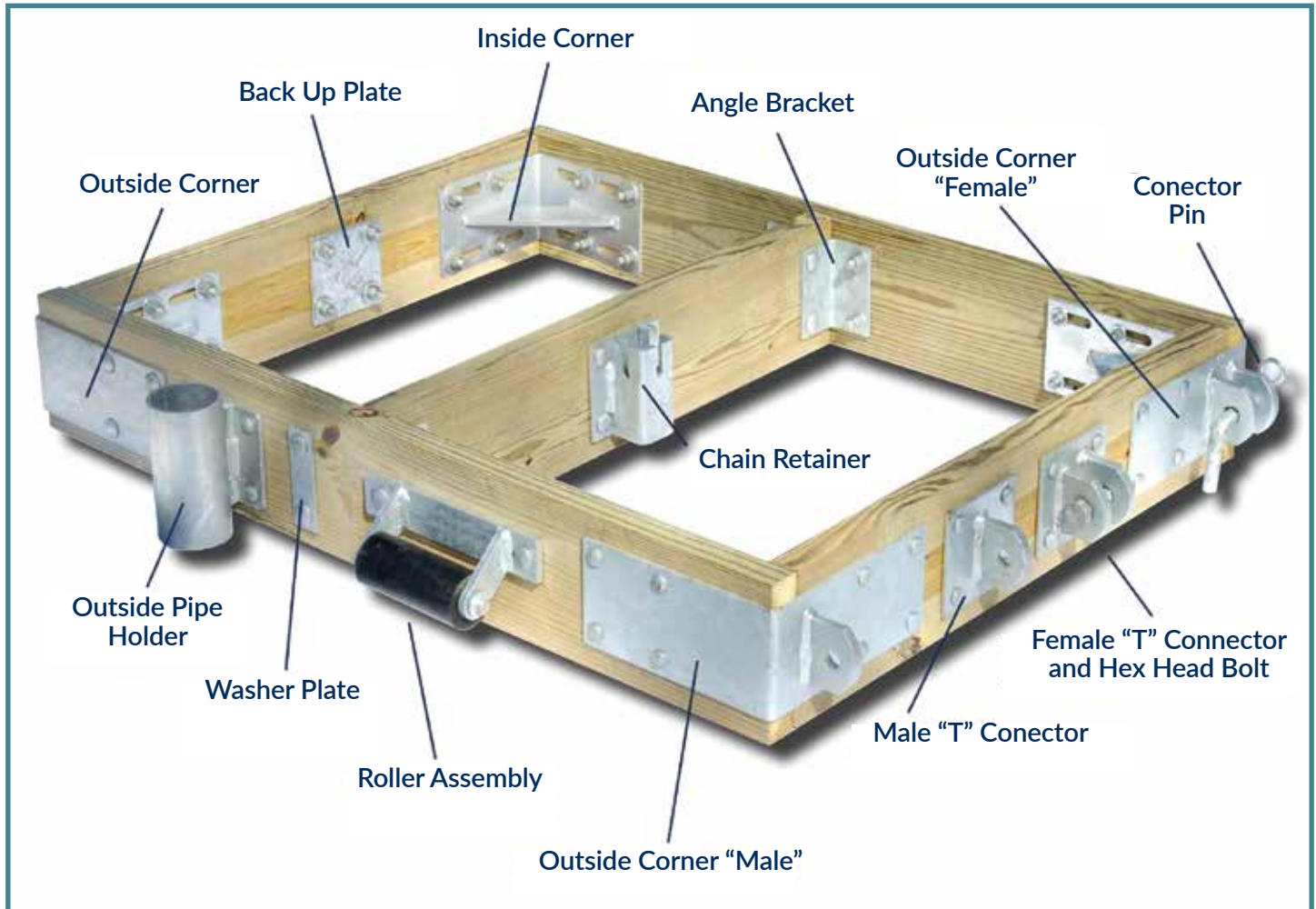
### Newport Harbor Mate

The most innovative mini-power center available, the Newport Harbor Mate is host to a variety of electrical services, contained in a compact yet strong housing and is packed with features. This pedestal can be mounted to any dock box or shipped from the factory with a stainless steel stand.



## Floating Dock Hardware

Heavy duty hardware available for building your own floating dock.



### Piling Hoop

Commercial Grade 14"x3" with 4" radius for 8" Piles  
 Commercial Grade 16"x3" with 5" radius for 10" Piles  
 Commercial Grade 18"x 3" with 6" radius for 12" Piles  
 Commercial Grade 20"x3" with 7" radius for 14" Piles

Heavy Duty 1/4" galvanized steel x 3" high

Part #26429  
 Part #26391  
 Part #26394  
 Part#26393

### Piling Hoop and Roller

Commercial Grade Part#26415

Piling Hoop and Roller Assembly intended for areas with lots of wind, current, or tidal action. Combines the piling hoop (Part #26412) and roller assembly (Part #26414) to make up and down movement easier. For pilings up to 12" in diameter.



## Individual Work Floats

Cleaning, painting or repair work of any kind can be done from individual work floats. Work floats are available in 4'x8' or 5'x8' and are totally portable and stackable. Each float comes with cleats attached with stainless steel fasteners.

## Carolina Water Works

We construct our floats with thick-walled rotationally molded polyethylene that encapsulates expanded polystyrene – the finest flotation materials available today.

Other features include:

- Resistant to both impact and damage from marine life
- The best warranty in the industry – a full 12 years
- Environmentally approved and exceeds all new government regulations



## Offering Sizes

- Dock Float D335 (2' x 3' x 12")
- Dock Float D470 (2' x 4' x 12")
- Dock Float D700 (3' x 4' x 12")
- Dock Float B600 (2' x 4' x 16")
- Dock Float B900 (3' x 4' x 16")
- Dock Float B1200 (4' x 4' x 16")
- Dock Float B1850 (4' x 6' x 16")
- Dock Float C490 (2' x 3' x 18")
- Dock Float C650 (2' x 4' x 18")
- Dock Float C1000 (3' x 4' x 18")
- Dock Float C2000 (4' X 6' X 18")
- Dock Float F1100 (3' X 4' x 20")
- Dock Float F1500 (4' X 4' X 20")
- Dock Float F2200 (4' X 6' X 20")
- Dock Float F750 (2' X 4' X 20")
- Dock Float E900 (2' x 4' x 24")

## Computations of Loading Requirements

Length x Width = Square feet of dock

Square feet x 35 lbs.

(15 lbs. weight of dock = 20 lbs. weight of people) = Total load

Divide Total Load by Dock Float Model Number

Example: 10' x 12' dock = 120 sq. ft.

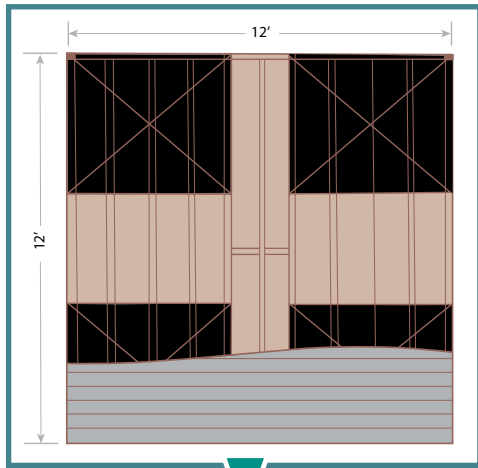
120 sq. ft. x 35 lbs. = 4,200 lbs.

4,200 lbs. / Model 470 = 9 floats

4,200 lbs. / Model 650 = 7 floats

All dock float are designed with a flange used for easy installation on new or existing docks.

Additional flotation may be necessary under high load points, such as where a gangway rests upon your dock.



**MAIN DOCK FLOTATION SUMMARY**

- (6) FD-3412 DockBuilders Dock Float (36" x 48" x 12")
- (60) LB-3804SS (3/8" x 4" Stainless Steel Lag Bolts)
- (60) W-38SSF (3/8" x 1.5" Stainless Steel Fender Washers)

**MAIN DOCK FRAMING HARDWARE SUMMARY**

- (4) Outside Corners
- (4) Inside Corners
- (18) Angles (2 per internal stringer/joist)
- (36) Washer Plates (4 per internal stringer)
- (104) Carriage Bolt Sets (1/2" x 3" bolt/washer/hex nut)

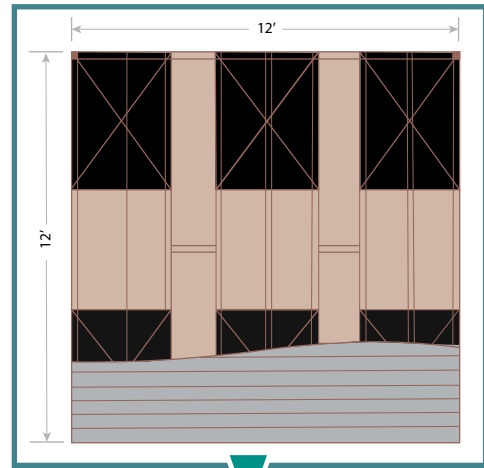
**MAIN DECK DECKING SCREWS**

- (500) #10 x 3" Stainless Steel Sq. Drive
- (2) Driver #2 Square Bit

**MAIN DOCK LUMBER SUMMARY (Not Included)**

- (2) 2" x 8" x 12' Fascia / End Boards
- (9) 2" x 8" x 12' Stringers / Joists
- (26) 2" x 6" x 12' Decking Boards (approx.)

Note: Extra 2" x 8" lumber requires for blocking between Stringers and over floats.



**MAIN DOCK FLOTATION SUMMARY**

- (4) FD-4512 DockBuilders Dock Float (48" x 60" x 12")
- (48) LB-3804SS (3/8" x 4" Stainless Steel Lag Bolts)
- (48) W-38SSF (3/8" x 1.5" Stainless Steel Fender Washers)

**MAIN DOCK FRAMING HARDWARE SUMMARY**

- (4) Outside Corners - End
- (4) Inside Corners
- (22) Angles (2 per internal stringer/joist)
- (44) Washer Plates (4 per internal stringer)
- (120) Carriage Bolt Sets (1/2" x 3" bolt/washer/hex nut)

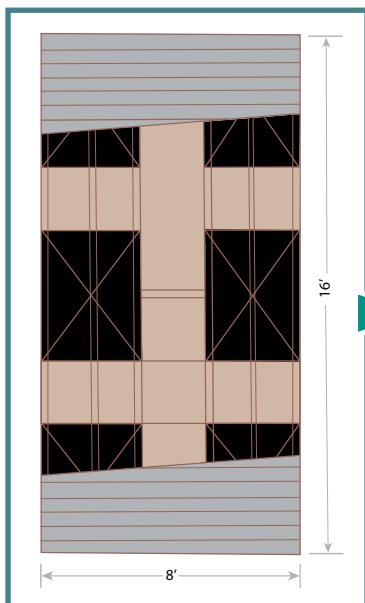
**MAIN DECK DECKING SCREWS**

- (600) #10 x 3" Stainless Steel Sq. Drive
- (2) Driver #2 Square Bit

**MAIN DOCK LUMBER SUMMARY (Not Included)**

- (2) 2" x 8" x 12' Fascia / End Boards
- (11) 2" x 8" x 12' Stringers / Joists
- (26) 5/4" x 6" x 12' Decking Boards (approx.)

Note: Extra 2" x 8" lumber requires for blocking between Stringers and over floats.



**FLOTATION SUMMARY**

- (6) FD-3412 DockBuilders Float Drums (36" x 48" x 12")
- (60) LB-3804SS (3/8" x 4" Stainless Steel Lag Bolts)
- (60) W-38SSF (3/8" x 1.5" Stainless Steel Fender Washers)

**FRAMING HARDWARE SUMMARY**

- (4) Outside Corners - End
- (4) Inside Corners
- (18) Angles (2 per internal stringer/joist)
- (36) Washer Plates (4 per internal stringer)
- (104) Carriage Bolt Sets (1/2" x 3" bolt/washer/hex nut)

**DECKING SCREWS**

- (625) #10 x 2.5" Stainless Steel Sq. Drive
- (1) Driver #2 Square Bit

**LUMBER SUMMARY (Not Included in Kit)**

- (2) 2" x 8" x 8' Fascia / End Boards
- (9) 2" x 8" x 16' Stringers / Joists
- (34) 2" x 6" x 8' Decking Boards (approx.)

Note: Extra 2" x 8" lumber requires for blocking between Stringers and over floats.







## “Niagara” Fish Cleaning Tables

With the same great materials and construction as our other Fish Cleaning Tables the “Niagara” Tables feature continuously running water to keep the cleaning surface free of fish remains. Rounded corners enhance the self-cleaning feature by preventing fish debris from lodging in corners. Offered in standard sizes from 38” x 18” up to 72” x 24.”

### Options for all tables:



(Shown) Knife Rack, Cup Holder

(Also available) Aluminum Hose Holder, Stainless Steel Sink, Faucet, Custom T-Tops.



## Standard 2 Leg Fish Cleaning Table

The 2-leg table projects out from the dock and mounts to the dock's substructure, without taking up dock space.

## Standard 4 Leg Fish Cleaning Table

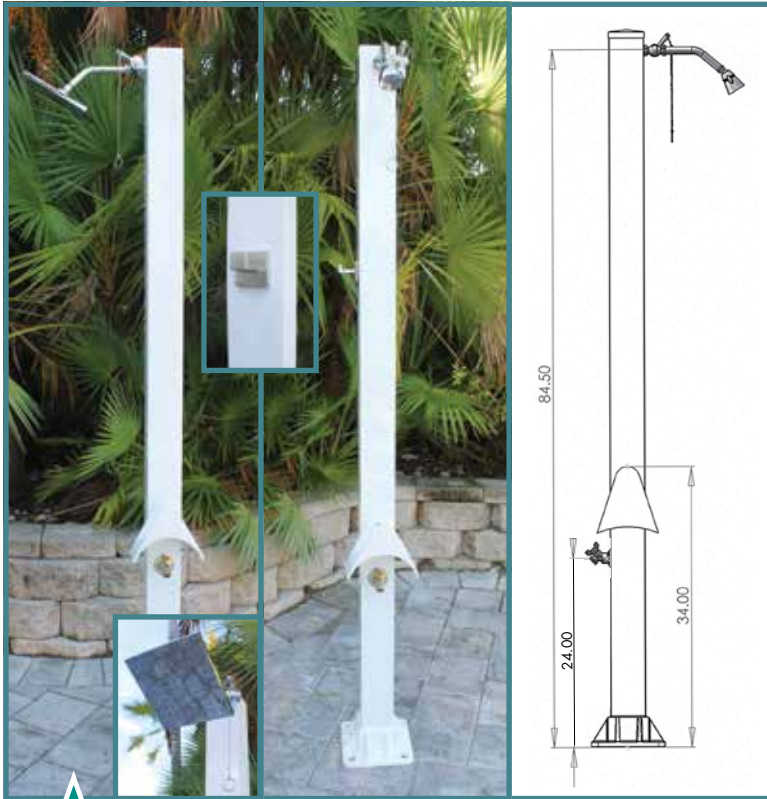
All four legs mount firmly to the dock.

### Tables Sizes (2 and 4 Leg)

- 38” x 18” x .5 Top
- 48” x 24” x .75 Top
- 72” x 24” x .75 Top
- 60” x 24” x .75 Top
- 84” x 24” x .75 Top
- 96” x 24” x .75 Top



**\*\*Custom tables are also available.\*\***



## Outdoor Showers

7' tall outdoor pool, deck and dock shower with 8" x 8" aluminum base. Comes standard white powder coated with chrome plated faucet and self closing shower valve. Optional rain head, hose holders, and custom powder coat colors available.

Also available in square showerheads.



## Hose Holders

These are manufactured using a quality casting of non-corrosive aluminum alloy. They are available in natural aluminum finish or powder coated in black or white. Custom colors also available. Available in 2 sizes:

**Small Hose Holder, 50'** **Large Hose Holder, 100'**



## Fire Extinguisher Cabinets

**CFE Cab Nets**  
Fits 10 lbs

**CFE450 BM** **CFE900 BM**  
Fits 20 lbs



## Water Stanchion

4" x 4" x 36"

Natural aluminum finish or powder coated white or black. Options include custom sizes and colors.

Also available with dual hose holders and hose bibs.



## Life Ring

24" life ring available in white or orange. Optional wall/pile mount bracket available.

## Fiberglass white dock boxes

- Custom colors available
- 3/16" wall thickness
- Two (2) SS as Shocks
- Ultraviolet resistant white gel coat
- Stainless steel hardware: hinges, lockable latch, braided cable, vents, nuts and screws
- 5-year warranty on the fiberglass



All standard dock boxes are constructed with a minimum 3/16" heavy fiberglass thickness using all stainless steel (corrosion-proof) hardware. White gel coat finish on inside, ultraviolet resistant white gel coat on outside.

## Rough Water Dock Boxes

Sleek rounded edges, with domed lids. All cut and exposed edges are white gel coated with interior black webbing and 5" S/S louvered vents on both ends. Gas shocks for easy opening and 2 S/S lockable latches.



### High Profile Dock Box

This high profile dock box has enough room to store dive tanks in an upright position, plus extra room for more gear. Optional 6 pack dive tank storage rack available

Available in these sizes:

DBRW50 - 50"W x 29"D x 33"H

DBRW60 - 60"W x 29"D x 33"H

DBRW70 - 70"W x 29"D x 33"H

DBRW80 - 80"W x 29"D x 33"H



### Triangle Box

DBCMTRI

54" L x 34" D x 29" H



### Low Profile Dock Box

Available in these sizes:

DBRW50LP - 50"W x 22"D x 24"H

DBRW60LP - 60"W x 22"D x 24"H

DBRW70LP - 70"W x 22"D x 24"H

DBRW80LP - 80"W x 22"D x 24"H



### Rough Water Trash Container

- Ultra-violet resistant white gel coat
- Sleek rounded edges, domed lid
- All cut and exposed edges are gel coated
- Great for home use or marina
- Holds a Rubbermaid trash receptacle purchased separately

Trash container available in these sizes.



### Low Profile Dock Box

Available in these sizes:

- DBCM01 - 40"W x 19"D x 21"H
- DBCM02 - 48"W x 20"D x 18"H
- DBCM054 - 54"W x 22"D x 24"H
- DBCM06 - 66"W x 22"D x 22"H
- DBCM071 - 71"W x 22"D x 24"H
- DBCM09 - 96"W x 22"D x 25"H



### Standard Profile Dock Box

Available in these sizes:

- DBCM03 - 44"W x 26"D x 27"H
- DBCM07 - 75"W x 27"D x 26"H
- DBCM08 - 85"W x 27"D x 26"H



### 51 Inch Dock Box

Space-saving design with built-in seat for convenience.

- DBCM05 - 51"L x 30"D x 30"H

### Fiberglass Marine Steps

- UV resistant white gel coat
- Non skid built in to each step
- Shown with optional hand rail
- Dimensions do not include flange

Available in:

- 1 step 21" L x 17" D x 12" H
- 2 steps 26" L x 24" D x 20" H
- 3 steps 26" L x 36" D x 30" H (shown)
- 4 steps 31" L x 51" D x 42" H

## TideSlides

The patented systems are tested and proven to meet the rigorous standards of the United States Navy Heavy Weather Mooring Codes

### Residential and Commercial



### Sizes

TS Series 1" dia	up to 12,000 lbs
ES Series 1.25" dia	up to 20,000 lbs
YS Series 1.5" dia	up to 50,000 lbs
MS Series 1.75" dia	up to 65,000 lbs
HY Series 2" dia	up to 125,000 lbs
SY Series 2.25" dia	up to 175,000 lbs
MY Series 2.5" dia	up to 250,000 lbs
CS Series 3" dia	up to 500,000 lbs
SCS Series 3.5" dia	up to 750,000 lbs
HCS Series 4" dia	up to 1,500,000 lbs
MCS Series 5" dia	up to 2,000,000 lbs
SDCS Series 6" dia	up to 2,500,000 lbs

Larger Diameters and Custom Lengths available.

**1-24" Diameters and Lengths to 60' –  
Military and Commercial Grade Systems available**

### Marinas and Yacht Clubs



- Hurricane Proven
- No More Slack Lines
- Self-Adjusting
- No Maintenance
- Solid Stainless Steel
- Sizes for any Boat



- Built-in Line Hook
- Easy In & Out line handling
- UV Stabilized Super Strength Polymer Mooring Block
- Works on Any Tie-up – slips, side ties, and floating docks!

## Mooring Whips



### Standard Mooring Whips

Equipped with a fixed angle base, used on boats up to 33' including runabouts, center consoles, ski and bass boats under certain mooring conditions. Comes with two standard bases, two solid fiberglass poles, two 1/4" nylon lines with tension adjusters, four spliced dock lines, wood dock mounting bolt kit and installation instructions.



Model	Boat Length	Boat Weight
MW9SD	to 16'	up to 2,500 lbs
MW12SD	17' to 20'	2,500 to 3,500 lbs
MW14SD	20' to 23'	3,500 to 5,000 lbs
MW16SD	23' to 33'	5,000 to 10,000 lbs

Whips stand vertical when not in use, keeping them out of the way of gear. We use a 3" snubber for added strength. Test precision-ground, tapered fiberglass poles are gel coated for long lasting durability.

### Heavy Duty Mooring Whips For boats up to 75' in length

Keeps boats from striking the dock and causing damage to both the boat and dock. Heavy marine grade cast aluminum braces that automatically adjust for tide changes and bring the whips up when not in use.

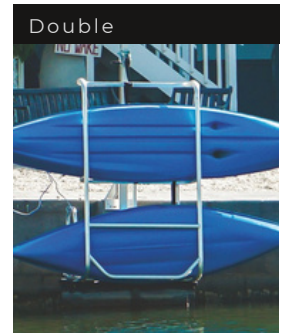
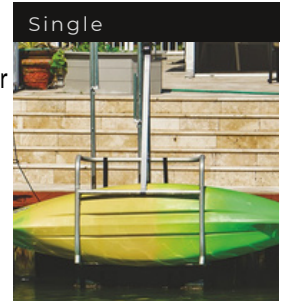


Model	Boat Length	Boat Weight
MW16HD	20'to 37'	5,000 to 20,000 lbs
MW18HD	37' to 50'	15,000 to 40,000 lbs
MW20HD	40' to 65'	35,000 to 60,000 lbs



## LAUNCH & STOW stores kayaks off dock, out of water

- Only launch system that takes up no dock space
- Stores kayaks, canoes, and boards on their side so they won't collect water
- Only launch system that goes up and down with the tide so you can easily return onto the cradle
- Top ladder rungs fold up for safe entry & exit at high or low tide
- Strap system secures craft for safe easy boarding; optional handrails also available
- Winch system lets you raise cradle up and out of water for long-term storage
- Works with fixed docks, pilings and seawalls
- Works with Jet Dock, Dock Blocks, EZ Dock & Wave Armors along with standard wood/aluminum floating docks
- Wide cradles (36"), wt. capacity 450 lbs



## A better floating dock bracket!



No more squeaking!  
No more system failures!

## FLEX SLIDE Flexible (Third Plane) Hinging Dock Brackets – a better way to attach floating docks or jet ski ports to bulk heads, sea walls or pilings!

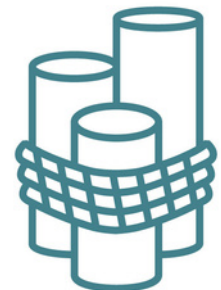
Other hinging dock brackets work like a door hinge, moving up and down on just two planes. But, wave action creates twisting and torquing which eventually tears things apart. Flex Slide incorporates two heavy-duty, flexible belts into the bracket which allow for third-plane hinging which dramatically reduces the stress on dock, bracket and piling.

This also virtually eliminates the annoying squeaking and obnoxious noises that routinely come with the use of ordinary two-plane hinging dock brackets.



## TIDE RIGHT Tide-Adjusting Fender/Cleat System moves up and down with the tide so the fender is always at the height of your boat's rub rail!

- Simply set fender height to rub rail and Tide Right's built-in float will adjust with the tide
- Patented design – the only adjustable, self-leveling fender system
- Eliminates damage to your boat from growth on dock pilings caused by misaligned fenders



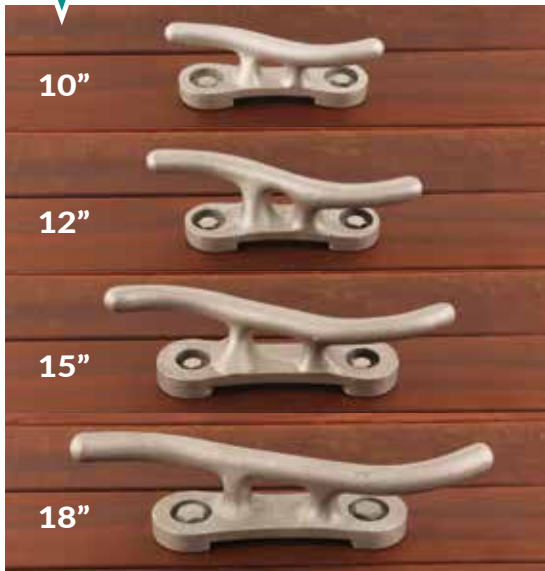
HAVENDOCK.COM



## Aluminum Cleats

Made from high quality cast aluminum – Alloy 356 – the corrosion resistant cleats can be mounted vertically or horizontal with 1/2” bolts. The large “footprint” provides maximum holding strength. Powder coating is available.

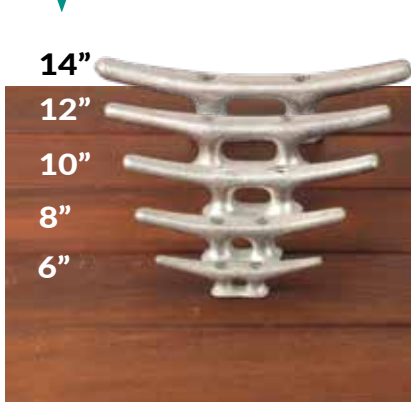
### S-Cleat Aluminum



### S-Cleat Powder Coated



### Straight Cleat



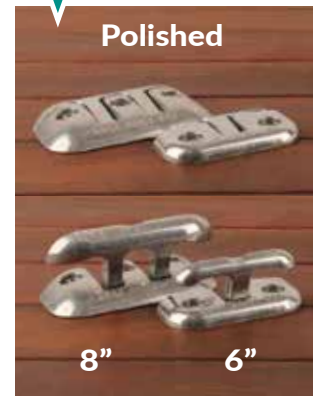
### Ships Cleat



Heavy galvanized, coated iron, open base cleats. Made from malleable iron and hot dipped galvanized, they are ideal for vertical or horizontal mounting on piers and docks. For installation, Straight Cleat uses two 3/8” hex bolts or lags. Ships Cleat uses two 5/8” or 3/4” hex bolts or lags. Powder coating is available.

### Flip-Up Cleat

#### Polished



#### White



Folds flat when not in use.



## Line Supports

Our line supports are designed with routed edges which provide a smooth finish to prevent chafing of the lines. They install easily onto pilings with two 60-penny nails. Length - 12”

Available in Black Plastic, Brown Plastic, White Plastic and Wood.



Perfect for your Deck, Dock or Garden, Haven Dock & Marine Cast Aluminum Benches can fit any need. Decking is available in a variety of colors and brands. Each bench can be customized to fit your needs. Legs are also sold separately if you prefer to build them yourself!



- HUDSON, FL
- ST, PETERSBURG, FL
- SARASOTA, FL
- CAPE CORAL, FL
- NAPLES, FL
- ORLANDO, FL
- FT. LAUDERDALE, FL
- WEST PALM BEACH, FL
- FT. PIERCE, FL
- MERRITT ISLAND, FL
- BIG PINE KEY, FL
- JACKSONVILLE, FL
- SAVANNAH, GA
- CHARLESTON, SC
- MYRTLE BEACH, SC
- WILMINGTON, NC
- NEW BERN, NC
- PORTSMOUTH, VA
- SELBYVILLE, DE
- FOLEY, AL
- BARNEGAT, NJ
- LONG ISLAND, NY

LUMBER | DECKING | PILING | SEAWALL | MARINA PRODUCTS



# Haven

DOCK & MARINE

245 SW 33rd St.

Ft. Lauderdale, FL 33315

Phone 954-462-9047

Fax 954-944-2928

[orders@havendocks.com](mailto:orders@havendocks.com)

[havendock.com](http://havendock.com)