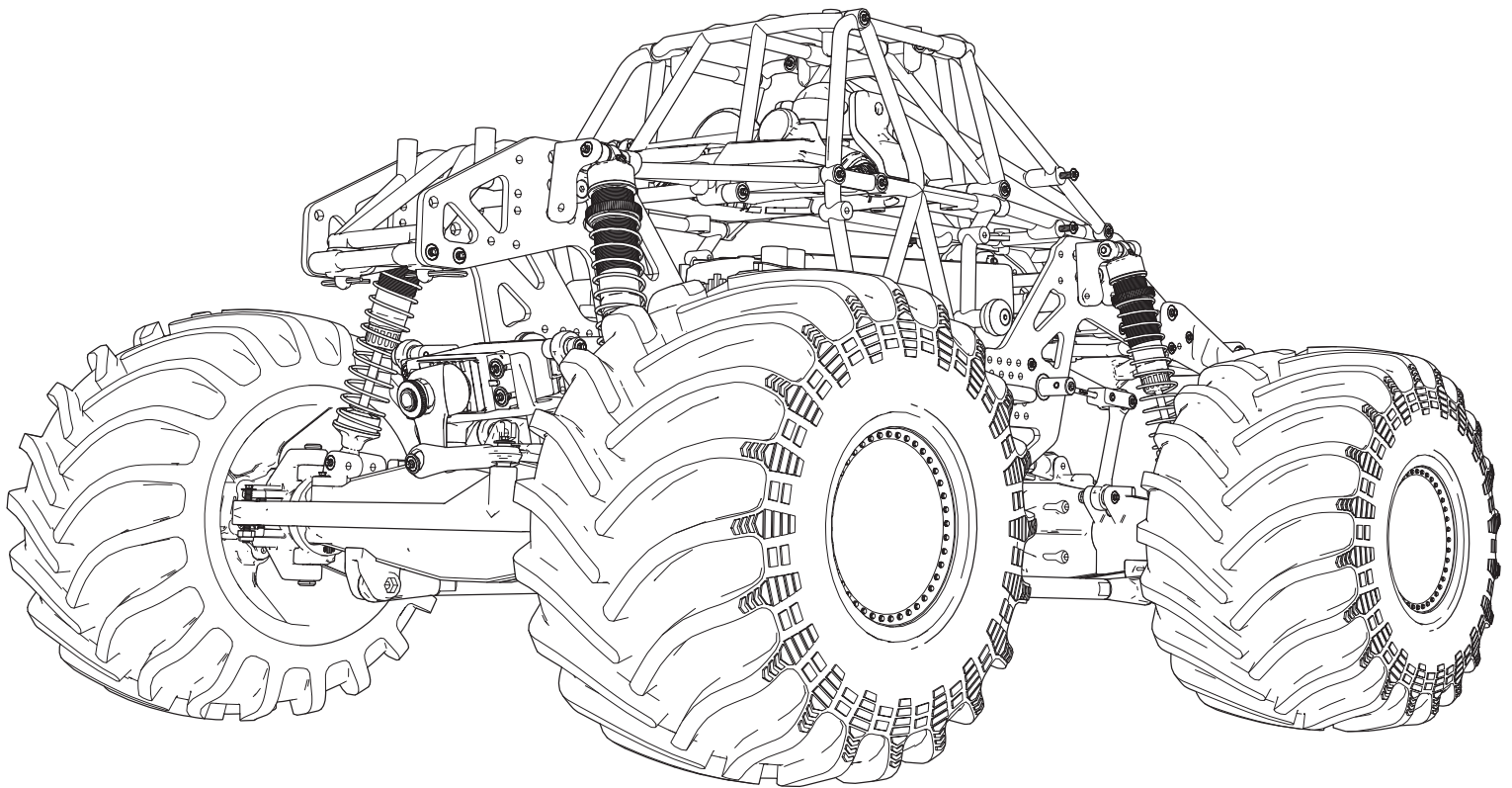




**LMT SOLID AXLE 4WD MONSTER TRUCK
ROLLER, NO ELECTRONICS INCLUDED**



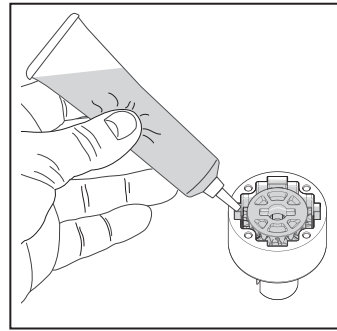
**INSTRUCTION MANUAL
BEDIENUNGSANLEITUNG
MANUEL D'UTILISATION
MANUALE DI ISTRUZIONI**



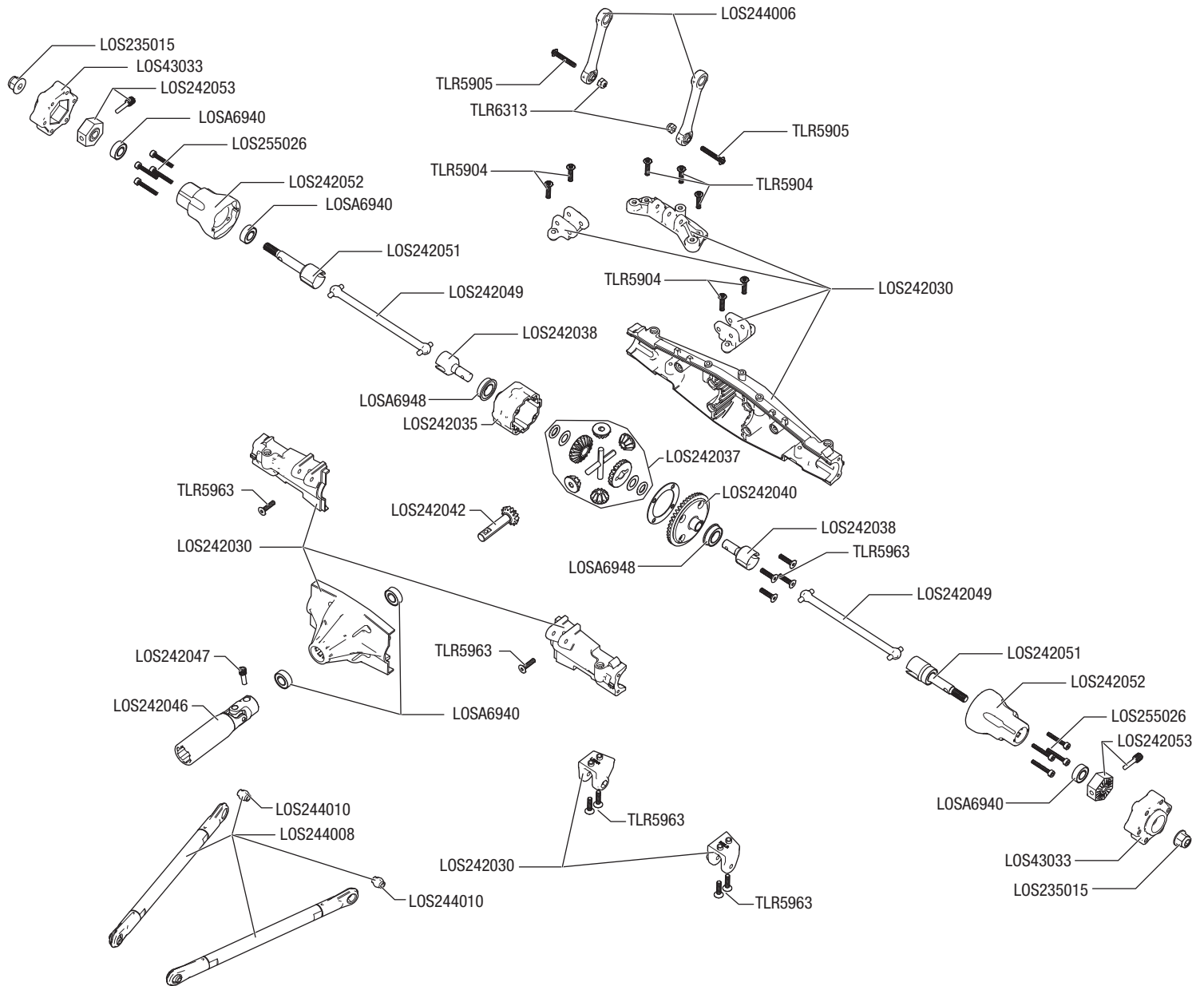
Before operating this vehicle, please read all printed materials thoroughly.
Horizon Hobby is not responsible for inadvertent errors in this manual.

REAR DIFFERENTIAL

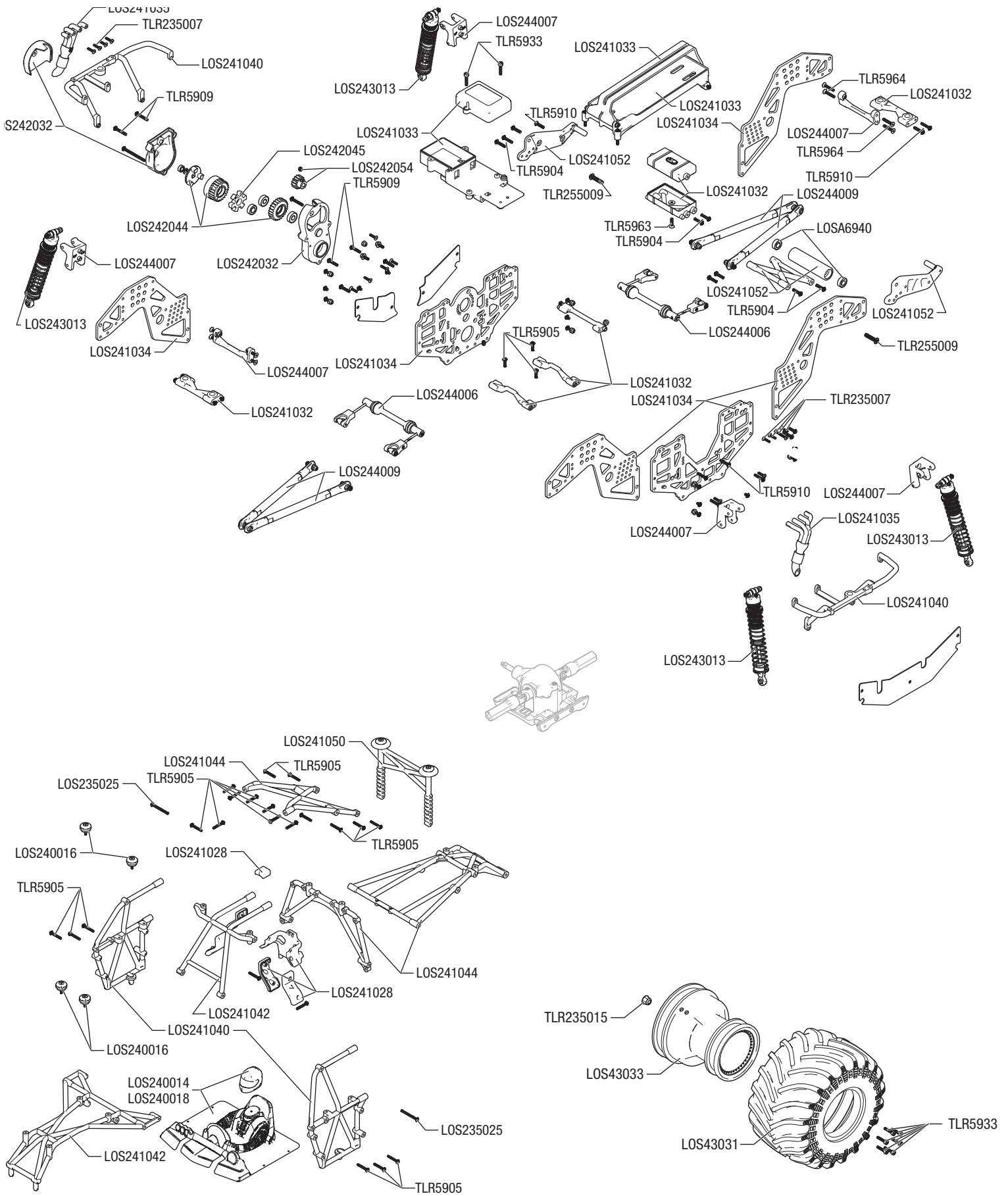
1. To remove the rear differential, start by removing the upper 4-link mount bolt.
2. Remove the Sway Bar Links and Shocks from the Axle.
3. Remove the lower 4-link bars from the axle housing.
4. The axle housing is now free. Remove the third member and pinion gear from the axle mount.
5. Remove one side of the axle housing with the axle and dogbone. This will provide enough clearance to remove the rear differential.
6. Check the ring and pinion as well as the bevel gears in the differential. Replace as needed. If fluid is leaking, replace the outdrive o-rings and ring gear gasket. Be sure to grease the outdrives prior to sliding them through the o-rings. Apply more grease to the ring and pinion (LOSA99209).
7. Check the differential fluid and refill or replace as needed with TLR75004 (100k) fluid. The fluid level should be about 0.12 in (3.0mm) from the top surface of the case. Do not overfill or the differential unit might leak.



Rear Differential Fluid : 100,000

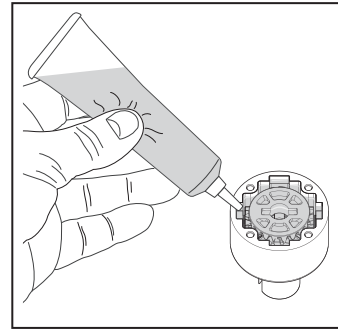


CHASSIS

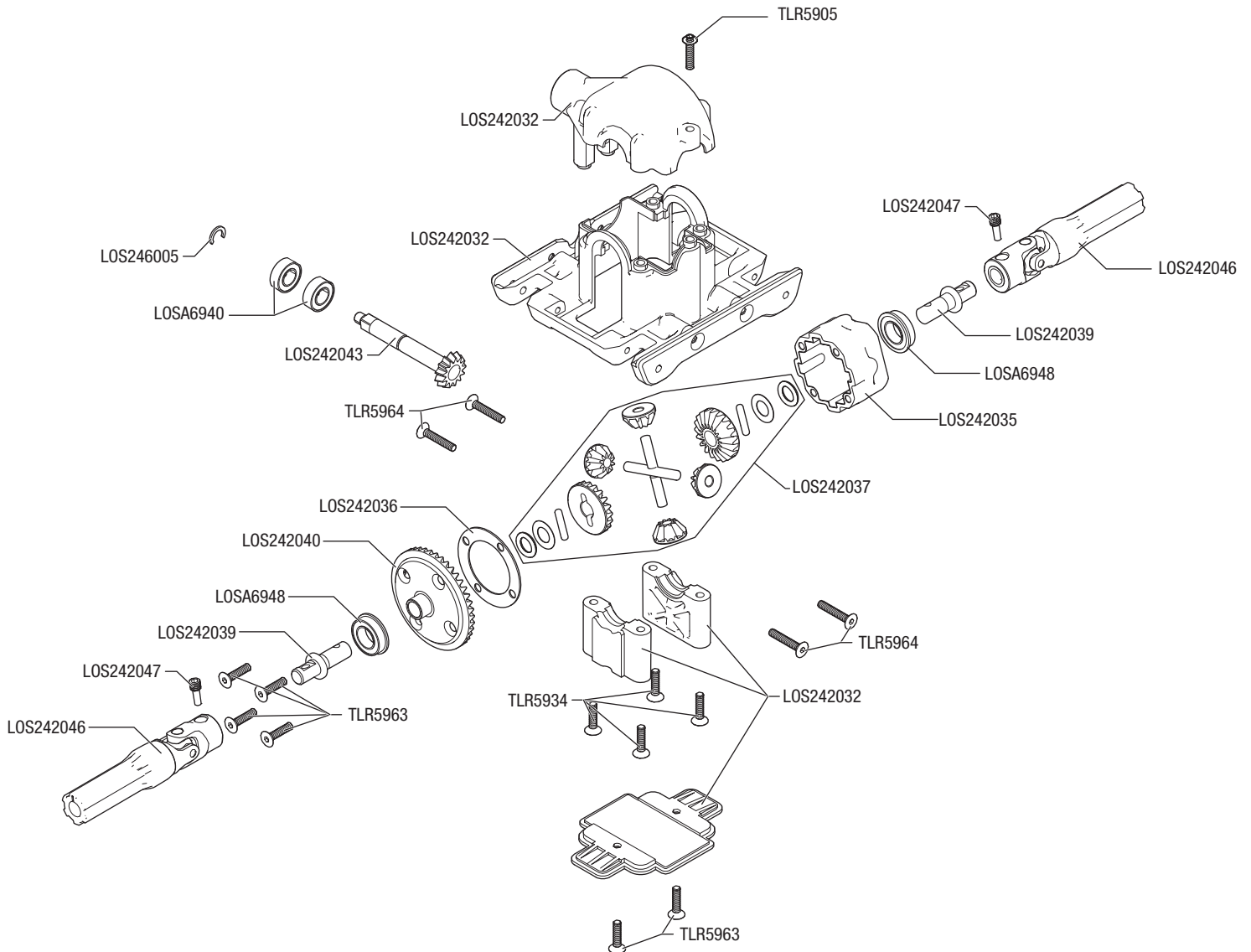


CENTER DIFFERENTIAL

1. To remove the center differential from the vehicle, remove the two screws in the center cover to expose the center differential.
2. Remove the four screws holding the diff support blocks, and remove the diff support blocks.
3. Remove the two screwpins holding the front and rear drivelines, and remove the center halves of the driveline. This will provide enough clearance to remove the differential out of the bottom of the vehicle.
4. Check the ring and pinion as well as the bevel gears in the differential. Replace as needed. If fluid is leaking, replace the outdrive o-rings and ring gear gasket. Be sure to grease the outdrives prior to sliding them through the o-rings. Apply more grease to the ring and pinion (LOSA99209).
5. Check the differential fluid and refill or replace as needed with TLR75009 (500k) fluid. The fluid level should be about 0.12 in (3.0mm) from the top surface of the case. Do not overfill or the differential unit might leak.



Center Differential Fluid : 500,000



REPLACEMENT PARTS

SKU	English
LOS235002	Cap Head Screws M2.5x10mm(10)
LOS235012	Set Screws M4x4mm Cup Point(10)
LOS235015	Locknut Flanged M5 Serrated (10)
LOS235024	Button Head Screws M3x25mm (10)
LOS235025	Button Head Screws M3x30mm (10)
LOS236001	3.2mm x 7mm x .5mm Washer(10)
LOS240016	Body Buttons,Top&Bottom(10):LMT
LOS241028	Safety Seat Set: LMT
LOS241030	Steering Linkage Set: LMT
LOS241031	ServoSaverSet, Complete,23T:LMT
LOS241032	Cross Brace Set, Chassis: LMT
LOS241033	Battery & Radio Tray Set: LMT
LOS241034	Chassis Side Plate Set: LMT
LOS241035	4n1 CollectiveHeaders,Silver:LMT
LOS241036	Steering Servo Mount Plate: LMT
LOS241038	Cage Set, Complete, Black: LMT
LOS241040	Side Cage & Lower Bar, Black:LM
LOS241042	Top & Upper Cage Bars, Black:LMT
LOS241044	Rear Cage & Hoop Bars, Black:LMT
LOS241050	RrBodySupport&BodyPost,Black:LMT
LOS241052	Wheelie Bar Set, Black: LMT
LOS242029	Wheel Hex Screw Pin (10): LMT
LOS242030	AxleHousingSetComplete,Rear: LMT
LOS242031	AxleHousingSetComplete,Front:LMT
LOS242032	Gearbox Housing Set w/covers:LMT
LOS242033	Complete Diff Front or Rear: LMT
LOS242034	Complete Diff Center: LMT
LOS242035	Diff Housing Set (1): LMT
LOS242036	Diff O-rings & Gaskets (3): LMT
LOS242037	Internal Diff Rebuild Kit(1):LMT
LOS242038	F/R Diff Outdrive Set (2): LMT
LOS242039	Center Diff Output Shafts(2):LMT
LOS242040	F/R Diff Ring Gear: LMT
LOS242041	Diff Spool: LMT
LOS242042	Diff Pinion, 13T (1): LMT
LOS242043	13T Cntr Trans Pinion Gear: LMT
LOS242044	Idle & Cush Drive Gear Set: LMT
LOS242045	CushDriveRubberDamper,Med(2):LMT
LOS242046	Cntr Slider Driveshaft (1): LMT
LOS242047	Cntr Driveshaft Screwpin(10):LMT
LOS242048	Fr Universal Driveshaft (2): LMT
LOS242049	Dogbones, Rear (2): LMT
LOS242051	Stub Axle, Rear (2): LMT
LOS242052	Rr Axle Mount set, 0 & 3 Deg:LMT
LOS242053	17mm Hex Adapter w/pin (4): LMT
LOS242054	Pinion Gear, 14T, 1.0M. 5mm shaft
LOS243011	Shock Shaft, F/R (2): LMT
LOS243012	Shock Body and Cap, Al (2): LMT
LOS243013	Shock Set Complete (2): LMT
LOS243014	Shock Plastics & Balls (4): LMT
LOS243015	Shock Rebuild/HardwareSet(4):LMT
LOS243016	Spring,Soft,Yel,1.1rate(4):LMT
LOS243017	Spring,Soft,Blue,1.6rate(4):LMT
LOS243018	Spring,Soft,Red,2.2rate(4):LMT
LOS244003	Spindle Carrier Set (L/R): LMT
LOS244004	Spindle Set Front (L/R): LMT
LOS244005	Kingpin, Front (4): LMT
LOS244006	Sway Bar Set (F/R): LMT
LOS244007	Upper Shock Mount Set (4): LMT
LOS244008	Lower 4-link Bar Set (4): LMT
LOS244009	Upper 4-link bar set (4): LMT
LOS244010	7mm DoubleBossPivotBalls(10):LMT
LOS244011	RodEnds, Sway & DragLinks: LMT
LOS246003	Body Clips, Black, Small(10):LMT
LOS246004	Diff Shim, M8x13x0.4mm (10): LMT
LOS246005	E-Clip & C-Clip Hardware(20):LMT
LOS257007	4 x 8 x 3mm Ball Bearing (4)
LOS43031	Monster Truck Tire, L/R: LMT

REPLACEMENT PARTS

SKU	English
LOS43032	Foam Tire Insert, MT (2): LMT
LOS43033	MT Wheel, Silver (2): LMT
LOS43034	Mounted Monster Truck Tires, L/R: LMT
LOSA6940	6x12x4mm Sealed Ball Bearing (4)
LOSA6948	8x14x4 Flanged Rubber Seal BB (4)
LOSA6955	5x13x4mm HD Clutch Bearings(2):8B/8T
TLR235005	Flat Head Screws, M3 x 18mm (10)
TLR235007	Flat Head Screw M2.5 x 10mm (10)
TLR235015	Button Head Screws M3 x 4mm (10)
TLR245012	Button Head Screws, M2.5x4mm(10)
TLR255002	Button Head Screws, M2.5x10mm (10)
TLR255003	Cap Head Screws, M2.5x6mm (10)
TLR255015	Set screw, Cup Point, M4x5mm (10)
TLR5902	Button Hd Screws, M3 x 8mm (10)
TLR5903	Button Hd Screws, M3 x 10mm (10)
TLR5904	Button Hd Screws, M3 x 12mm (10)
TLR5905	Button Hd Screws, M3 x 18mm (10)
TLR5906	Button Hd Screws, M3 x 35mm (10)
TLR5909	Button Head Screws, M3x16mm(10)
TLR5910	Button Head Screws M3 x 14mm(10)
TLR5911	Button Head Screws, M3 x 20mm(10)
TLR5930	Cap Head Screws, M3 x 8mm (10)
TLR5932	Cap Head Screws, M3 x 10mm (10)
TLR5934	Cap Head Screws, M3 x 16mm (10)
TLR5963	Flathead Screw, M3 x 12mm (10)
TLR5963	Flathead Screw, M3 x 12mm (10)
TLR5964	Flathead Screw, M3 x 16mm (10)
TLR5965	Flathead Screw, M3 x 20mm (10)
TLR6313	Locknut, M3 x .5 x 5.5mm (10)

RECOMMENDED PARTS

Part #	English
DYNT2010	Machined Nut Driver Set (4) Metric
DYNT2030	Machined Hex Driver Set (4) Met
SPM5010	DX5 Pro DSMR Tx w/SR2100
SPM5115	DX5C DSMR 5ch TX only
SPMR2340	DX3 3-ch DSMR SMART Transmitter
SPMXSE1130	Firma 130A Brushless Smart ESC
SPMXSM1000	Firma 3150Kv Brushless Motor
LOS240018	Body Set, Clear, SonUva Digger: LMT
LOS240017	Body Set, Painted, SonUva Digger: LMT
LOS240013	Body Set, Painted, Grave Digger: LMT
LOS240014	Body Set, Grave Digger Clear LMT
LOS240015	Fr Headlight Set, Grave Digger: LMT
LOS240019	LED Lights & Grill, SonUva Digger: LMT
SPMXC1010	Spektrum S2100 SMART Charger*
SPMXC1070	Smart S150 AC/DC Charger, 1x50W*
SPMX50003S50H5	5000mAh 3S 11.1V50C SmartLiPo IC5
SPMX50002S50H5	5000mAh 2S 7.4V 50C SmartLiPo IC5
SPMX50003S100H5	5000mAh 3S 11.1V100C SmartLiPo IC5
SPMX50002S100H5	5000mAh 2S 7.4V100C SmartLiPo IC5
SPMXCA507	IC3 Batt to IC5 Device 4"

* SPMXCA507 required to charge batteries with IC5 connectors on the S2100 and S150 Chargers

OPTIONAL PARTS

Part #	English
LOS241027	Cage Set, Complete, Green: LMT
LOS241037	Servo Saver Set, 25T, Complete: LMT
LOS241039	Side Cage and Lower Bar, Green: LMT
LOS241041	Top and Upper Cage Bars, Green: LMT
LOS241043	Rear Cage and Hoop Bars, Green: LMT
LOS241046	Cage Set Complete, Blue: LMT
LOS241047	Side Cage and Lower Bar, Blue: LMT
LOS241048	Top and Upper Cage Bars, Blue: LMT
LOS241049	Rear Cage and Hoop Bars, Blue: LMT
LOS343200	12mm Machined Wheel Hex (4): LMT
LOS343201	12mm Wheel Hex Screw Pin (10): LMT
TLR5285	Silicone Diff Fluid, 30,000CS
TLR5286	Silicone Diff Fluid, 50,000CS
TLR5288	Silicone Diff Fluid, 125,000CS
TLR74000	SIL SHOCK OIL,15WT,104CST,2OZ
TLR74001	SIL SHOCK OIL,17.5WT,150CST,2OZ
TLR74002	SIL SHOCK OIL,20WT,195CST,2OZ
TLR74003	SIL SHOCK OIL,22.5WT,223CST,2OZ
TLR74004	SIL SHOCK OIL,25WT,250CST,2OZ
TLR74005	SIL SHOCK OIL,27.5WT,294CST,2OZ
TLR74006	SIL SHOCK OIL,30WT,338CST,2OZ
TLR74007	SIL SHOCK OIL,32.5WT,379CST,2OZ
TLR74008	SIL SHOCK OIL,35WT,420CST,2OZ
TLR74009	SIL SHOCK OIL,37.5WT,468CST,2OZ
TLR74010	SIL SHOCK OIL,40WT,516CST,2OZ
TLR74011	SIL SHOCK OIL,42.5WT,563CST,2OZ
TLR74012	SIL SHOCK OIL,45WT,610CST,2OZ
TLR74013	SIL SHOCK OIL,50WT,710CST,2OZ
TLR74014	SIL SHOCK OIL,60WT,810CST,2OZ
TLR74015	SIL SHOCK OIL,70WT,910CST,2OZ
TLR74016	SIL SHOCK OIL,80WT,1014CST,2OZ
TLR74017	SIL SHOCK OIL,90WT,1130CST,2OZ
TLR74018	SIL SHOCK OIL,100WT,1325CST,2OZ
TLR75001	Silicone Diff Fluid, 40,000CS
TLR75002	Silicone Diff Fluid, 60,000CS
TLR75003	Silicone Diff Fluid, 80,000CS
TLR75004	Silicone Diff Fluid, 100,000CS
TLR75008	Silicon Diff Fluid, 200,000
TLR75009	Silicon Diff Fluid, 500,000



WWW.LOSI.COM

©2020 Horizon Hobby, LLC.

Losi, Firma, IC5, DSMR, and the Horizon Hobby logo are trademarks or registered trademarks of Horizon Hobby, LLC.

The Spektrum trademark is used with permission of Bachmann Industries, Inc.

Created 08/20

62155

LOS04022