

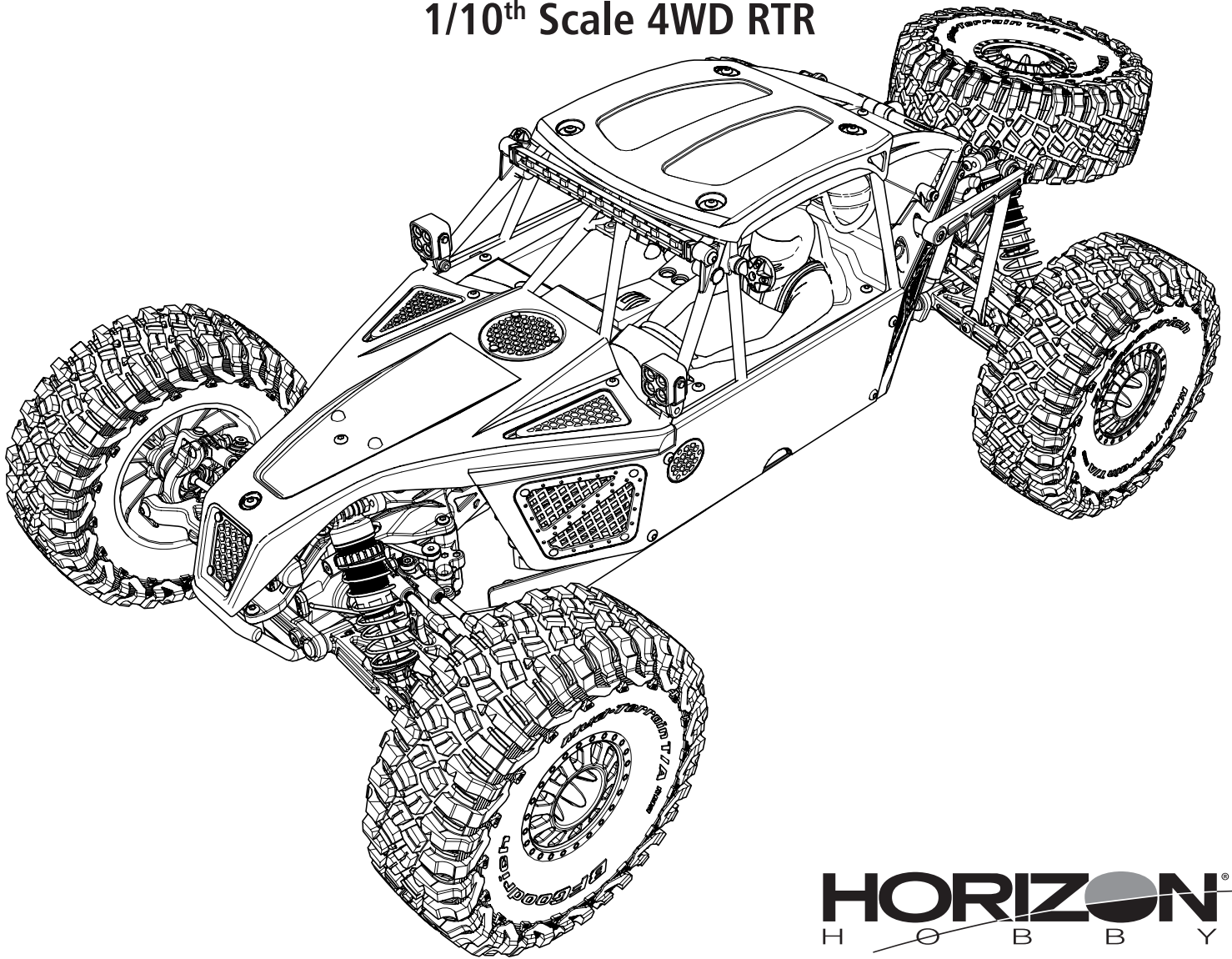
RTR
READY-TO-RUN

AVC® U.S. Pat. No. 9,320,977



LASERNUT TENACITY ULTRA 4 ROCK RACER

1/10th Scale 4WD RTR



HORIZON
H O B B Y

INSTRUCTION MANUAL
BEDIENUNGSANLEITUNG
MANUEL D'UTILISATION
MANUALE DI ISTRUZIONI



Before operating this vehicle, please read all printed materials thoroughly.
Horizon Hobby is not responsible for inadvertent errors in this manual.

REPLACEMENT PARTS // TEILELISTE // LISTE DES PIÈCES DE RECHANGE // ELENCO DEI RICAMBI

Part #	English	Deutsch	Français	Italiano
LOS230072	Body Clip Leash (4)	Gehäuseklemme Schnur (4)	Laisse de clip de carrosserie (4)	Lacci per clip per carrozzeria (4)
LOS230075	Body Set, Blue, Painted	Karosseriesatz, blau, lackiert	Carrosserie, bleue, peinte	Kit carrozzeria a vernice blu
LOS230076	Body Set, Red, Painted	Karosseriesatz, rot, lackiert	Carrosserie, rouge, peinte	Kit carrozzeria a vernice rossa
LOS230077	Body Set, Clear	Karosseriesatz, farblos	Carrosserie, transparente	Kit carrozzeria trasparente
LOS230078	Cage Set	Käfigsatz	Ensemble cage	Kit scocca
LOS230079	LED, Cage Parts	LED, Käfigteile	LED, pièces de la cage	Parti scocca, LED
LOS230080	Spare Tire Rack	Ersatzreifenstange	Support de pneu de secours	Porta ruota di ricambio
LOS231026	Steering Bellcrank Set	Steuerungsumlenkhebelsatz	Ensemble leviers de renvoi de direction	Kit squadrette di sterzo
LOS231027	Steering Posts, Tubes & Hardware	Lenksäulen, Rohre und Hardware	Colonnes de direction, tubes et accessoires	Supporti, tubi e bulloneria dello sterzo
LOS231030	Chassis Support Set	Karosserieträgersatz	Ensemble support de châssis	Kit supporti telaio
LOS231031	Motor Mount	Motorhalterung	Support moteur	Supporto motore
LOS231033	Steering Drag Link & Hardware	Lenkzwischenstange & Hardware	Barre d'accouplement de la direction & accessoires	Tirante di sterzo e bulloneria
LOS231057	Rod Ends & Links	Stangenende und Verbindungen	Embouts de bielle et liaisons	Teste a snodo e aste
LOS231062	Aluminum Chassis	Aluminiumchassis	Châssis en aluminium	Telaio in alluminio
LOS231063	Side Guards	Seitenschutz	Protections latérales	Protezioni laterali
LOS231064	Top Deck, Battery Mount	Oberdeck, Akkuhalterung	Pont supérieur, support de batterie	Piano superiore, supporto batteria
LOS231065	Grid Set	Halterungssatz	Ensemble grille	Kit griglia
LOS232023	Diff Case Set	Differentialgehäusesatz	Ensemble boîtier de différentiel	Kit scatola diff.
LOS232024	Center Drive Coupler	Zentrale Antriebskupplung	Coupleur d'entraînement central	Attacco albero trasmissione
LOS232025	40T Spur Gear, Mod 1	40T-Stirnrad, Mod 1	Engrenage cylindrique 40 dents, Mod 1	Corona 40T, Mod 1
LOS232026	Diff Housing	Differentialgehäuse	Logement du différentiel	Carter differenziale
LOS232027	Front Ring & Pinion Gear Set	Vorderer Ring- und Zahnradgetriebesatz	Ensemble anneau et engrenage à pignons avant	Kit pignone e corona anteriori
LOS232028	Rear Ring & Pinion Gear Set	Hinterer Ring- und Zahnradgetriebesatz	Ensemble anneau et engrenage à pignons arrière	Kit pignone e corona posteriori
LOS232029	Diff Gear Set w/Hardware	Differentialgetriebesatz mit Hardware	Ensemble engrenage de différentiel avec accessoires	Kit ingr. diff. con bulloneria
LOS232030	Outdrive, Diff (2)	Flexwelle, Diff (2)	Entraînement extérieur, différentiel (2)	Outdrive, diff.(2)
LOS232031	Wheel Hex Set (4)	Sechskantratsatz (4)	Ensemble écrous hexagonaux de roue (4)	Kit esagoni ruote (4)
LOS232032	Front/Rear Driveshafts (2)	Front/Heck Antriebswellen (2)	Arbres de transmission avant/arrière (2)	Alberi trasmissione ant./post. (2)
LOS232033	Front Center Dogbone (1)	Vorderes mittiges Dogbone (1)	Dogbone central avant (1)	Cardano centrale ant. (1)
LOS232034	Rear Center Dogbone (1)	Hinteres mittiges Dogbone (1)	Dogbone central arrière (1)	Cardano centrale post. (1)
LOS232054	Center Dogbone Set	Mittiger Dogbone-Satz	Ensemble dogbone central	Kit cardano centrale
LOS232055	Aluminum Diff Case	Aluminium-Differentialgehäuse	Ensemble différentiel en aluminium	Scatola diff. in alluminio
LOS233011	Shock Plastics Set	Kunststoff-Stoßdämpfersatz	Ensemble plastiques d'amortisseur	Kit plastiche ammortizzatori
LOS233013	Spring Set	Federnsatz	Ensemble ressort	Kit molle
LOS233014	Rear Shock Shaft (2)	Hintere Kolbenstange (2)	Arbre d'amortisseur arrière (2)	Albero amm. post. (2)
LOS233015	Front Shock Shaft (2)	Vordere Kolbenstange (2)	Arbre d'amortisseur avant (2)	Albero amm. ant. (2)
LOS233025	Adjuster Nut	Einstellmutter	Écrou de réglage	Dado di registrazione
LOS233026	Aluminum Shock Caps	Aluminium Stoßdämpferkappen	Capuchons d'amortisseur en aluminium	Tappi amm. in alluminio
LOS233027	Aluminum Front Shock Bodies	Vordere Stoßdämpfergehäuse, Aluminium	Corps d'amortisseur avant en aluminium	Carcasse amm. in alluminio ant.
LOS233028	Aluminum Rear Shock Bodies	Hintere Stoßdämpfergehäuse, Aluminium	Corps d'amortisseur arrière en aluminium	Carcasse amm. in alluminio post.
LOS234016	Front Arm Set	Vorderarmsatz	Ensemble bras avant	Kit braccio anteriore
LOS234017	Rear Arm Set	Hinterarmsatz	Ensemble bras arrière	Kit braccio posteriore
LOS234018	Front Spindle & Carrier Set	Front-Spindel- & Trägersatz	Ensemble axe et support avant	Kit fuselli e portafuselli ant.
LOS234019	Front/Rear Pin Mount Cover Set	Vorderer/Hinterer Stift Halterungsabdeckungssatz	Ensemble cache de support axe FR/R	Kit protezione montanti perni ant/post.
LOS234020	Rear Hub Set	Hinterradnabensatz	Ensemble moyeu arrière	Kit mozzi posteriori
LOS234021	Hingepin & Kingpin Set	Scharnierstift & Sattelzapfensatz	Ensemble axe de charnière et axe de pivot	Kit perni e cardini
LOS234023	Pivot Pin Mount Set, Steel (4)	Drehzapfensatz, Stahl (4)	Ensemble support axe de pivot, acier (4)	Kit supporto perno girevole, acciaio (4)
LOS234035	Aluminum Front Shock Tow	Vordere Aluminium-Stoßdämpferbrücke	Tour d'amortisseur avant en aluminium	Torre amm. in alluminio, ant.
LOS234036	Aluminum Rear Shock Tow	Hintere Aluminium-Stoßdämpferbrücke	Tour d'amortisseur arrière en aluminium	Torre amm. in alluminio, post.
LOS234037	Sway Bar Set	Schwingen-Set	Ensemble barre stabilisatrice	Kit barra antirullo
LOS234038	Rear Sway Bar Set	Heck Schwingen-Satz	Ensemble barre stabilisatrice arrière	Kit barra antirullo posteriore
LOS235011	Set Screw, M3 x 3mm Cup Point (10)	Stellschraube M3 x 3 mm Ringschneide (10)	Vis de fixation M3 x 3 mm Bout cuvette (10)	Kit viti, M3 x 3 mm, senza testa (10)
LOS235012	Set Screw, M4 x 4mm Cup Point (10)	Stellschraube M4 x 4 mm Ringschneide (10)	Vis de fixation M4 x 4 mm Bout cuvette (10)	Kit viti, M4 x 4 mm, senza testa (10)
LOS235024	Button Head Screw, M3 x 25mm (10)	Rundkopfschraube, M3 x 25mm (10)	Vis à tête bombée M3 x 25 mm (10)	Viti a testa tonda, M3 x 25 mm (10)
LOS235025	Button Head Screw, M3 x 30mm (10)	Rundkopfschraube, M3 x 30mm (10)	Vis à tête bombée M3 x 30 mm (10)	Viti a testa tonda, M3 x 30 mm (10)
LOS235026	Set Screw, M3 x 4mm Cup Point (10)	Stellschraube M3 x 4mm Ringschneide (10)	Vis de fixation M3 x 4mm Bout cuvette (10)	Kit viti, M3 x 4 mm, senza testa (10)
LOS235027	Set Screw, M3 x 10mm Cup Point (10)	Stellschraube M3 x 10mm Ringschneide (10)	Vis de fixation M3 x 10mm Bout cuvette (10)	Kit viti, M3 x 10 mm, senza testa (10)
LOS236000	E-Clips 2.5mm (12)	E-Klemmen, 2,5 mm (12)	Attaches en E 2,5 mm (12)	E-Clip 2,5 mm (12)
LOS236001	3.2 x 7 x .5mm Washer (10)	3,2 x 7 x 5mm Unterlegscheibe (10)	Rondelle 3,2 x 7 x 0,5 mm (10)	Rondelle 3,2 x 7 x 0,5 mm (10)
LOS237000	12 x 18 x 4mm Ball Bearing (4)	12 x 18 x 4mm, Kugellager (4)	Roulement à billes 12 x 18 x 4 mm (4)	Cuscinetto a sfera 12 x 18 x 4 mm (4)
LOS237001	10 x 15 x 4mm Ball Bearing (4)	10 x 15 x 4mm, Kugellager (4)	Roulement à billes 10 x 15 x 4 mm (4)	Cuscinetto a sfera 10 x 15 x 4 mm (4)
LOS237002	5 x 11 x 4mm Ball Bearing (4)	5 x 11 x 4mm, Kugellager (4)	Roulement à billes 5 x 11 x 4 mm (4)	Cuscinetto a sfera 5 x 11 x 4 mm (4)
LOS43028	Wheel w/BFG Tire, Copper	Rad mit BFG-Reifen, Kupfer	Roue avec pneu BFG, cuivre	Ruota con pneumatico BFG, rame
LOSA3572	1.0 Module Pitch Pinion, 12T	1.0 Modul Getrieberad, 12T	Module de pignon de pas 1.0, 12 dents	Pignone Modulo 1.0, 12T
LOSA3574	1.0 Module Pitch Pinion, 14T	1.0 Modul Getrieberad, 14T	Module de pignon de pas 1.0, 14 dents	Pignone Modulo 1.0, 14T
LOSA6940	6 x 12mm Sealed Ball Bearing (4)	6 x 12mm abgedichtetes Kugellager (4)	Roulement à billes hermétique 6 x 12 mm (4)	Cuscinetti a sfera sigillati 6 x 12 mm (4)
SPM2340	DX3 SMART DSMR 3CH Transmitter w/SR315	DX3 SMART DSMR-Sender mit 3 Kanälen mit SR315	Émetteur DX3 SMART DSMR 3 canaux avec SR315	Trasmittente DX3 SMART DSMR 3 CH con SR315
SPMS614	S614 Metal Gear Servo, 23T WP	S614 Metallgetriebeservo 23T WP	Servo à engrenages métalliques S614, 23 dents, étanche	Servo ingr. in metallo S614 23T WP
SPMSR6100AT	SR6100AT DSMR 6CH AVC Telemetry Surface Receiver	SR6100AT DSMR AVC Telemetrie Oberflächenempfänger mit 6 Kanälen	Récepteur de surface de télémétrie AVC 6 canaux SR6100AT DSMR	Ricevitore di superficie con telemetria SR6100AT DSMR 6CH AVC
SPMXSE1130	Firma 130A Brushless Smart ESC	Firma 130 A Bürstenloser Smart-Geschwindigkeitsregler	Variateur ESC sans balais 130 A Smart Firma	Smart ESC Firma 130 A Brushless
SPMXSM2200	3668-1900Kv Motor	3668 - 1900Kv Motor	Moteur 3668 - 1900Kv	Motore 3668 - 1900Kv

REPLACEMENT PARTS // TEILELISTE // LISTE DES PIÈCES DE RECHANGE // ELENCO DEI RICAMBI

Part #	English	Deutsch	Français	Italiano
TLR235007	Flat Head Screw, M2.5 x 10mm (10)	Flachkopfschraube M2,5 x 10mm (10)	Vis à tête plate M2,5 x 10 mm (10)	Smart ESC Firma 130 A Brushless
TLR255008	Button Head Screw, M4 x 16mm (10)	Rundkopfschraube, M4 x 16mm (10)	Vis à tête bombée, M4 x 16 mm (10)	Viti a testa tonda, M4 x 16 mm (10)
TLR255013	Flat Head Screws, M4 x 12mm (10)	Rundkopfschrauben, M4 x 12mm (10)	Vis à tête plate, M4 x 12mm (10)	Viti a testa piana, M4 x 12 mm (10)
TLR256005	Nylock Nut, M4 (10)	Nylock-Mutter, M4 (10)	Contre-écrou Nylock, M4 (10)	Dado Nylock, M4 (10)
TLR336005	M3 Flanged Aluminum Locknut, Black (10)	M3 Aluminium-Kontermutter mit Flansch, schwarz (10)	Contre-écrou M3 en aluminium à collet, noir (10)	Controdado alluminio flangiato M3, nero (10)
TLR5901	Button Head Screw, M3 x 6mm (10)	Rundkopfschraube, M3 x 6mm (10)	Vis à tête bombée M3 x 6mm (10)	Viti a testa tonda, M3 x 6 mm (10)
TLR5902	Button Head Screw, M3 x 8mm (10)	Rundkopfschraube, M3 x 8mm (10)	Vis à tête bombée M3 x 8mm (10)	Viti a testa tonda, M3 x 8 mm (10)
TLR5903	Button Head Screw, M3 x 10mm (10)	Rundkopfschraube, M3 x 10mm (10)	Vis à tête bombée M3 x 10mm (10)	Viti a testa tonda, M3 x 10 mm (10)
TLR5904	Button Head Screw, M3 x 12mm (10)	Rundkopfschraube, M3 x 12mm (10)	Vis à tête bombée M3 x 12mm (10)	Viti a testa tonda, M3 x 12 mm (10)
TLR5905	Button Head Screw, M3 x 18mm (10)	Rundkopfschraube, M3 x 18mm (10)	Vis à tête bombée M3 x 18mm (10)	Viti a testa tonda, M3 x 18 mm (10)
TLR5908	Button Head Screw, M3 x 44mm (4)	Rundkopfschraube, M3 x 44mm (4)	Vis à tête bombée M3 x 44mm (4)	Viti a testa tonda, M3 x 44 mm (4)
TLR5909	Button Head Screw, M3 x 16mm (10)	Rundkopfschraube, M3 x 16mm (10)	Vis à tête bombée M3 x 16mm (10)	Viti a testa tonda, M3 x 16 mm (10)
TLR5910	Button Head Screw, M3 x 14mm (10)	Rundkopfschraube, M3 x 14mm (10)	Vis à tête bombée M3 x 14mm (10)	Viti a testa tonda, M3 x 14 mm (10)
TLR5911	Button Head Screw, M3 x 20mm (10)	Rundkopfschraube, M3 x 20mm (10)	Vis à tête bombée M3 x 20mm (10)	Viti a testa tonda, M3 x 20 mm (10)
TLR5914	Button Head Screw, M2 x 12mm (10)	Rundkopfschraube, M2 x 12mm (10)	Vis à tête bombée, M2 x 12mm (10)	Viti a testa tonda, M2 x 12 mm (10)
TLR5932	Cap Head Screw, M3 x 10mm (10)	Inbusschraube, M3 x 10mm (10)	Vis d'assemblage creuse, M3 x 10mm (10)	Viti a testa cilindrica, M3 x 10 mm (10)
TLR5933	Cap Head Screw, M3 x 12mm (10)	Inbusschraube, M3 x 12mm (10)	Vis d'assemblage creuse, M3 x 12mm (10)	Viti a testa cilindrica, M3 x 12 mm (10)
TLR5963	Flathead Screw, M3 x 12mm (10)	Flachkopfschraube, M3 x 12mm (10)	Vis à tête plate, M3 x 12mm (10)	Viti a testa piana, M3 x 12 mm (10)
TLR5964	Flathead Screw, M3 x 16mm (10)	Flachkopfschraube, M3 x 16mm (10)	Vis à tête plate, M3 x 16mm (10)	Viti a testa piana, M3 x 16 mm (10)
TLR5965	Flathead Screw, M3 x 20mm (10)	Flachkopfschraube, M3 x 20mm (10)	Vis à tête plate, M3 x 20mm (10)	Viti a testa piana, M3 x 20 mm (10)
TLR6313	Locknut, M3 x .5 x 5.5mm (10)	Kontermutter, M3 x 0,5 x 5,5 mm (10)	Contre-écrou M3 x 5 x 5,5 mm (10)	Controdadi, M3 x 0,5 x 5,5 mm (10)
TLR6352	Washers, M3 (10)	Unterlegscheiben, M3 (10)	Rondelles, M3 (10)	Rondelle, M3 (10)
TLR74008	Silicone Shock Oil, 35 wt, 2 oz	Stoßdämpfer-Silikonöl, 35 wt, 59 ml (2 oz)	Huile silicone pour amortisseurs, 35 wt, 59 mL	Olio di silicone per ammortizzatori, 35 wt, 60 ml (2 oz)
TLR8202	Body Clips, Black (12)	Gehäuseklemmen, schwarz (12)	Clips de carrosserie, noir (12)	Clip carrozzeria, colore nero (12)

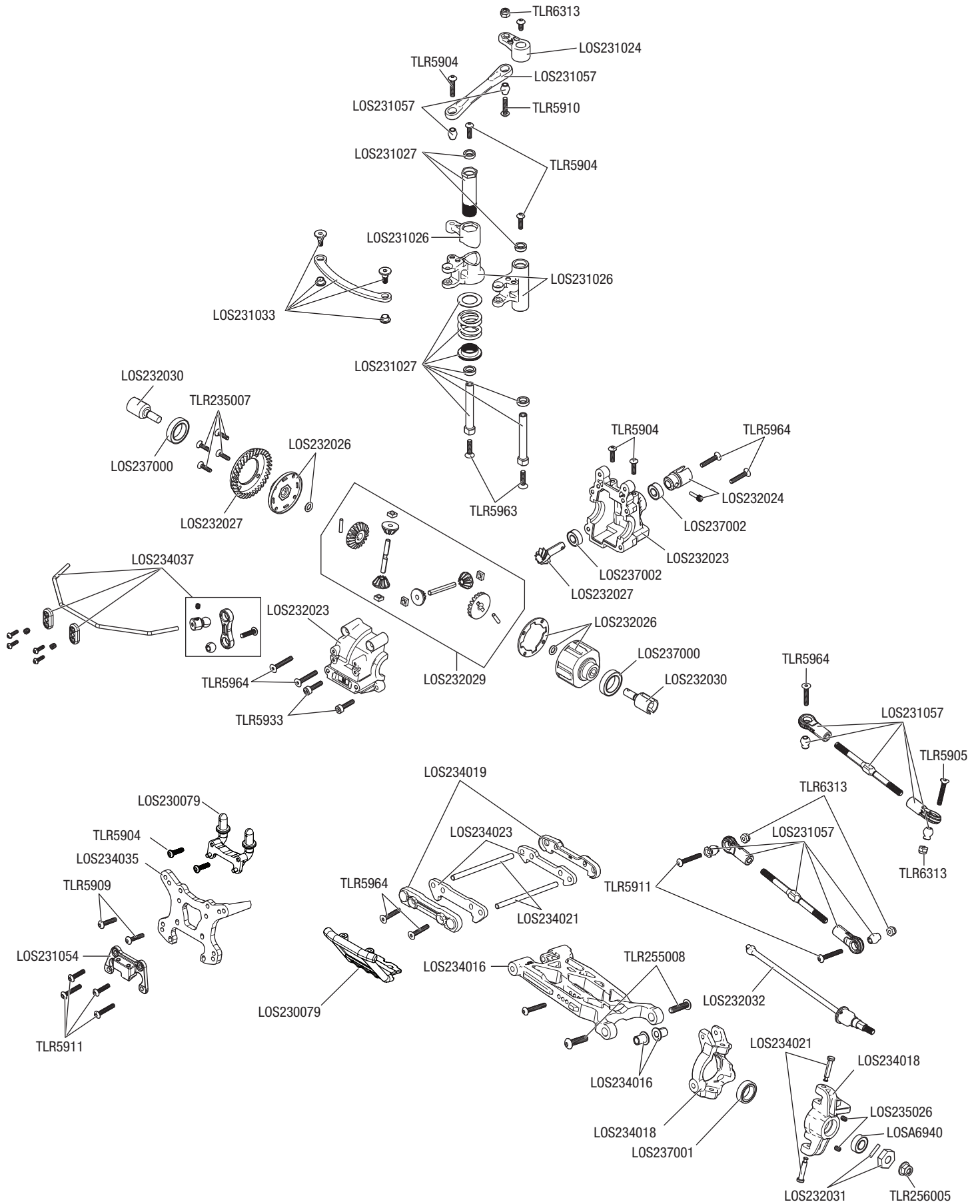
RECOMMENDED PARTS // EMPFOHLENE TEILE// PIÈCES RECOMMANDÉES // PARTI CONSIGLIATE

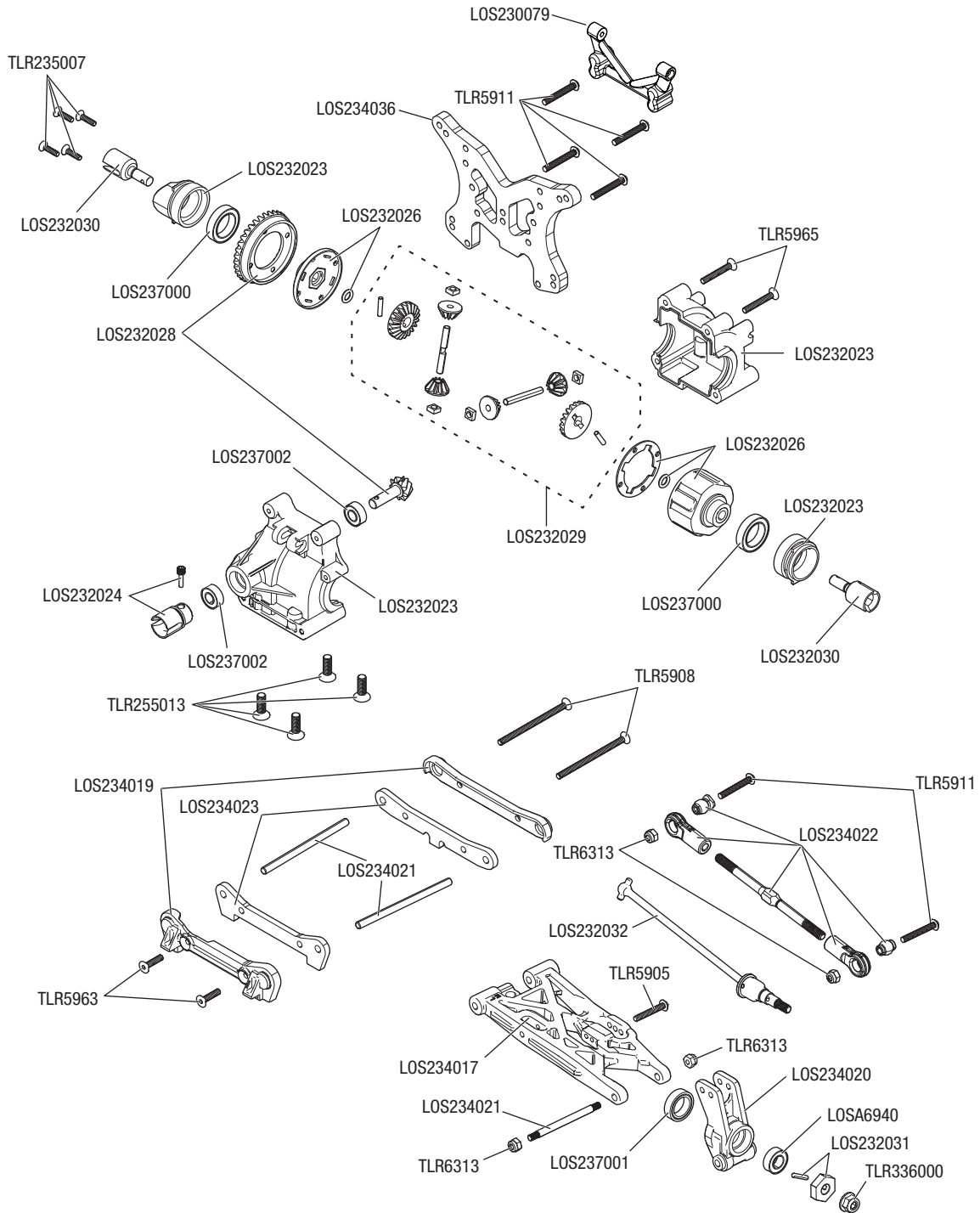
Part #	English	Deutsch	Français	Italiano
DYNC2005CA	Prophet Sport LiPo 35W AC Charger	Prophet Sport LiPo 35 W AC-Ladegerät	Chargeur CA Li-Po 35 W Prophet Sport	Caricabatterie Prophet Sport LiPo 35 W CA

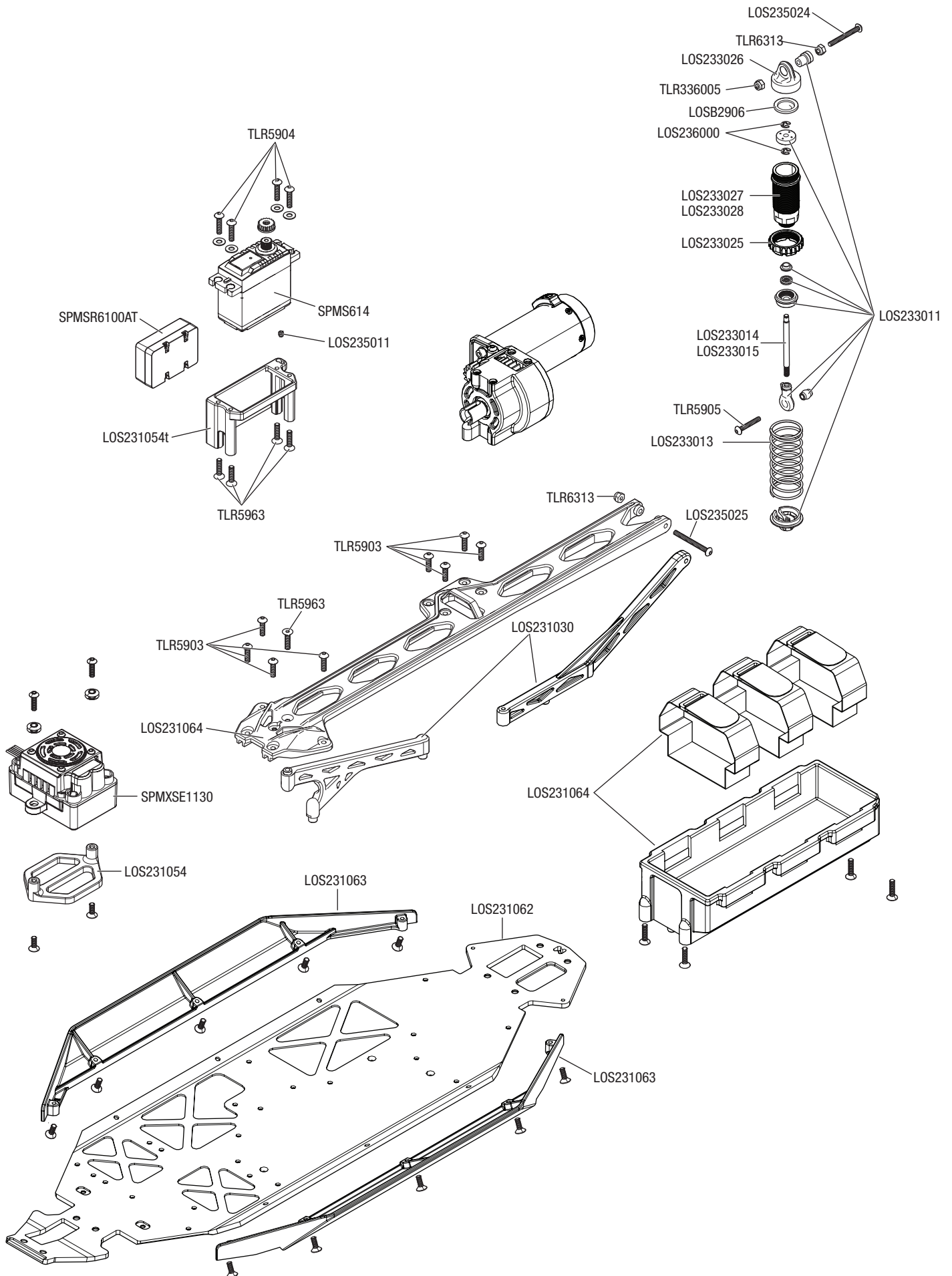
OPTIONAL PARTS // OPTIONALE TEILE // PIÈCES OPTIONNELLES // PARTI OPZIONALI

Part #	English	Deutsch	Français	Italiano
DYN2834	Startup Tool Set: Metric	Anfänger-Werkzeugsatz: Metrisch	Jeu d'outils de démarrage : Métrique	Kit completo attrezzi base: metrico
DYN5500	Magnum Force 2 Motor Spray, 13 oz	Magnum Force 2 Motorspray, 368 g	Vaporisateur pour moteur Magnum Force 2, 368 g	Spray per motore Magnum Force 2, 385 ml (13 oz)
DYNT2010	Machined Nut Driver Set (4) Metric	Set gefräste Steckschlüssel (4) metrisch	Ensemble tourne-écrou usiné (4) Métrique	Kit di chiavi (4) metriche
DYNT2030	Machined Hex Driver Set (4) Met	Set gefräste Inbusschraubendreher (4) Met	Ensemble clé à six pans usinée (4) Métrique	Kit di chiavi a brugola (4) metriche
LOS331012	Mach Alum Motor Mount	Gefräste Motorhalterung, Aluminium	Support moteur en aluminium usiné	Supporto motore in alluminio lavorato
LOS334011	Aluminum Rear Hubs (2)	Hinterer Naben, Aluminium (2)	Moyeux arrière en aluminium (2)	Mozzi in alluminio, post. (2)
LOS334012	Aluminum Front Spindle (2)	Front-Spindel, Aluminium (2)	Axe avant en aluminium (2)	Fuselli in alluminio, ant. (2)
LOS334013	Aluminum Spindle Carrier (2)	Spindelträger, Aluminium (2)	Support d'axe en aluminium (2)	Portafuselli in alluminio (2)
LOS43011	Desert Claws Tires w/Foam, Soft (2)	Desert Claws-Reifen mit Schaumstoff (2)	Pneus Desert Claws avec mousse, douce (2)	Pneumatici Desert Claw con schiuma, morbidi (2)
LOSA3571	1.0 Module Pitch Pinion, 11T	1.0 Modul Getrieberad, 11T	Module de pignon de pas 1.0, 11 dents	Pignone Modulo 1.0, 11T
LOSA3573	1.0 Module Pitch Pinion, 13T	1.0 Modul Getrieberad, 13T	Module de pignon de pas 1.0, 13 dents	Pignone Modulo 1.0, 13T
LOSA3576	1.0 Module Pitch Pinion, 16T	1.0 Modul Getrieberad, 16T	Module de pignon de pas 1.0, 16 dents	Pignone Modulo 1.0, 16T
LOSA3578	1.0 Module Pitch Pinion, 18T	1.0 Modul Getrieberad, 18T	Module de pignon de pas 1.0, 18 dents	Pignone Modulo 1.0, 18T
LOSA99173	Ride Height Gauge	Höhenmesser	Jauge de hauteur de course	Misuratore altezza di marcia
LOSA99174	Car Stand	Fahrzeugständer	Socle	Supporto automodello
LOSB3493	Aluminum Clamping Wheel Hex	Aluminium Klemmrad Sechskant	Roue de serrage hexagonale en aluminium	Rotella di bloccaggio esagonale in alluminio
SPM6730	Spektrum Tx Storage Bag*	Spektrum Tx Aufbewahrungstasche*	Sac de rangement Spektrum Tx*	Sacco custodia Tx Spektrum
SPMSS6230	S6230 U-T / M-S Digital WP Servo	S6230 U-T/M-S Digitaler WP Servo	Servo numérique S6230 U-T / M-S WP	Servo impermeabile digitale S6230 U-T/M-S
TLR332014	Rear Hex, +0.5mm Width, Aluminum	Hinterer Sechskant, +0,5 mm Breite, Aluminium	Écrou hexagonal arrière, +0,5 mm de largeur, aluminium	Esagono posteriore, larghezza +0,5 mm, alluminio
TLR336000	4mm Aluminum Serrated Lock Nut, Black (6)	4 mm Aluminium Rändelmutter, schwarz (6)	Contre-écrou en aluminium à embase striée 4 mm, noir (6)	Controdado dentato in alluminio 4 mm, nero (6)
TLR336001	4mm Aluminum Serrated Lock Nut, Blue (6)	4 mm Aluminium Rändelmutter, blau (6)	Contre-écrou en aluminium à embase striée 4 mm, bleu (6)	Controdado dentato in alluminio 4 mm, blu (6)
TLR5062	Bleeder Shock Cap, Aluminum (2)	Stoßdämpfer-Entlüfterkappe, Aluminium (2)	Contre-écrou en aluminium à embase striée 4 mm, bleu (6)	Tappi di sfianto per ammortizzatori, alluminio (2)
TLR74006	Silicone Shock Oil, 30 wt, 2 oz	Stoßdämpfer-Silikonöl, 30 wt, 59 ml (2 oz)	Huile silicone pour amortisseurs, 30 WT, 59 mL	Olio di silicone per ammortizzatori, 30 wt, 60 ml (2 oz)
TLR74010	Silicone Shock Oil, 40 wt, 2 oz	Stoßdämpfer-Silikonöl, 40 wt, 59 ml (2 oz)	Huile silicone pour amortisseurs, 40 WT, 59 mL	Olio di silicone per ammortizzatori, 40 wt, 60 ml (2 oz)
TLR76000	Tire Glue, Standard	Reifenklebemittel, Standard	Colle de pneu, standard	Colla pneumatici, standard
TLR76004	TLR Lok, Threadlock, Blue	TLR Lok, Schraubensicherung, blau	Verrou TLR, frein-filet, bleu	TLR Lok, frenafilletti, blu

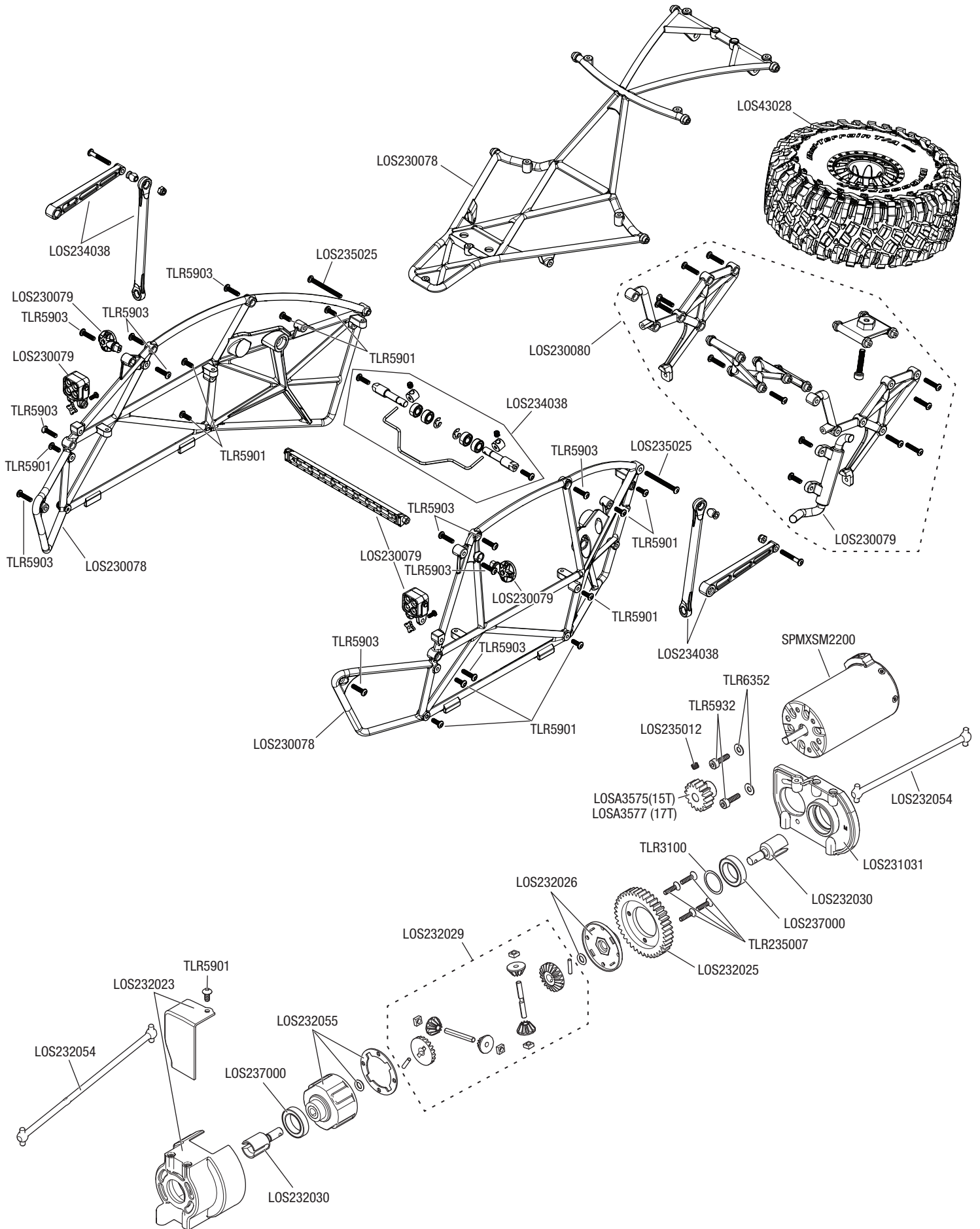
EXPLODED VIEW // EXPLOSIONSZEICHNUNG // VUE ÉCLATÉE DES PIÈCES // VISTA ESPLOSA DELLE PARTI

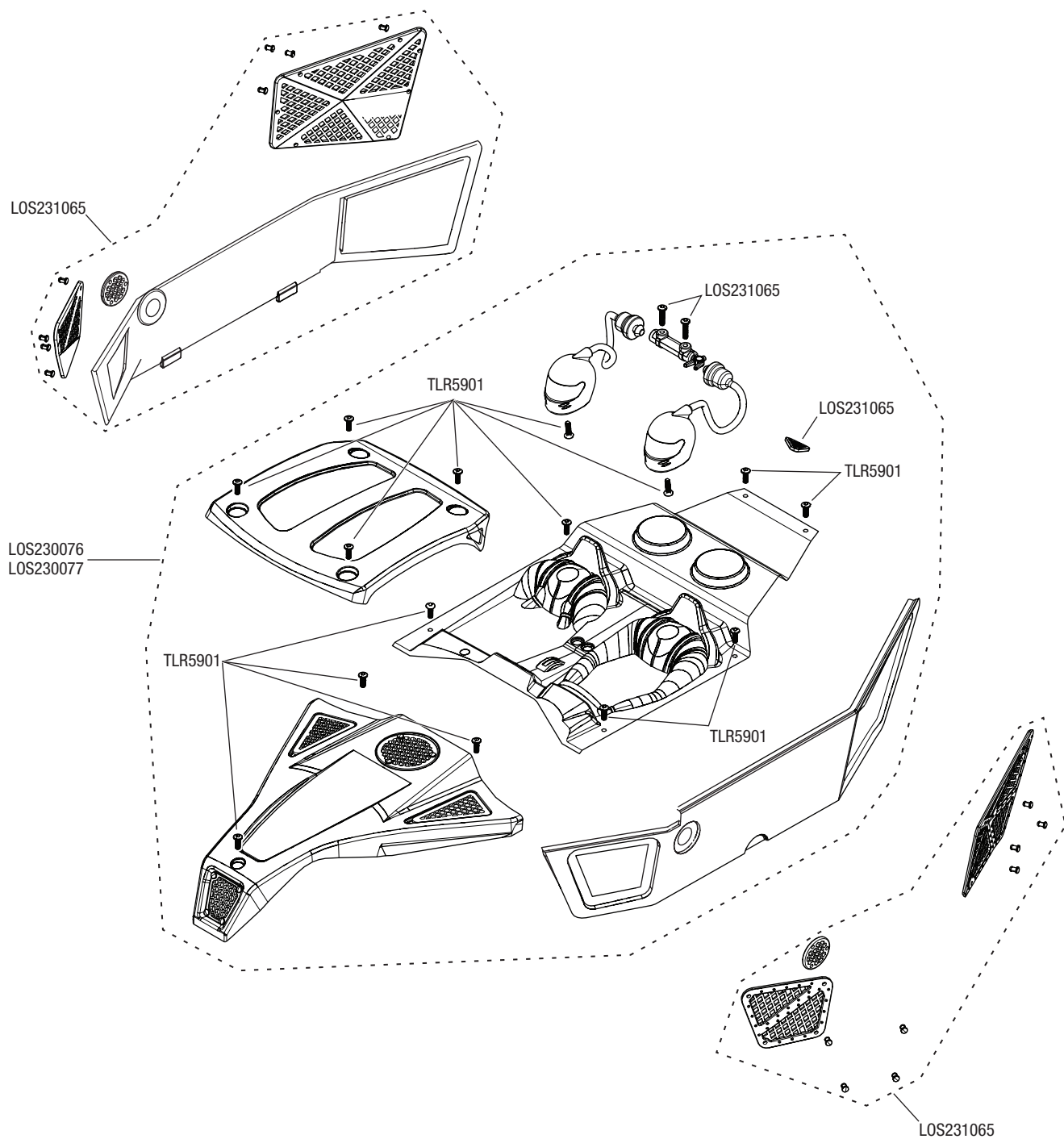






EXPLODED VIEW // EXPLOSIONSZEICHNUNG // VUE ÉCLATÉE DES PIÈCES // VISTA ESPLOSA DELLE PARTI







WWW.LOSI.COM

60778 | ©2020 Horizon Hobby, LLC.

Losi, Tenacity, Firma, DX3, DSM, DSM2, DSMR, AVC, Active Vehicle Control, Fuze, IC5 and the Horizon Hobby logo are trademarks or registered trademarks of Horizon Hobby, LLC. The Spektrum trademark is used with permission of Bachmann Industries, Inc. The Lasernut name and logo and vehicle cage design are property of Cody Waggoner, used under license.

All other trademarks, service marks and logos are property of their respective owners.

US 9,320,977, US 10,528,060, US 9,930,567, US 10,419,970. Other patents pending.

Created 4/20 LOS03028

