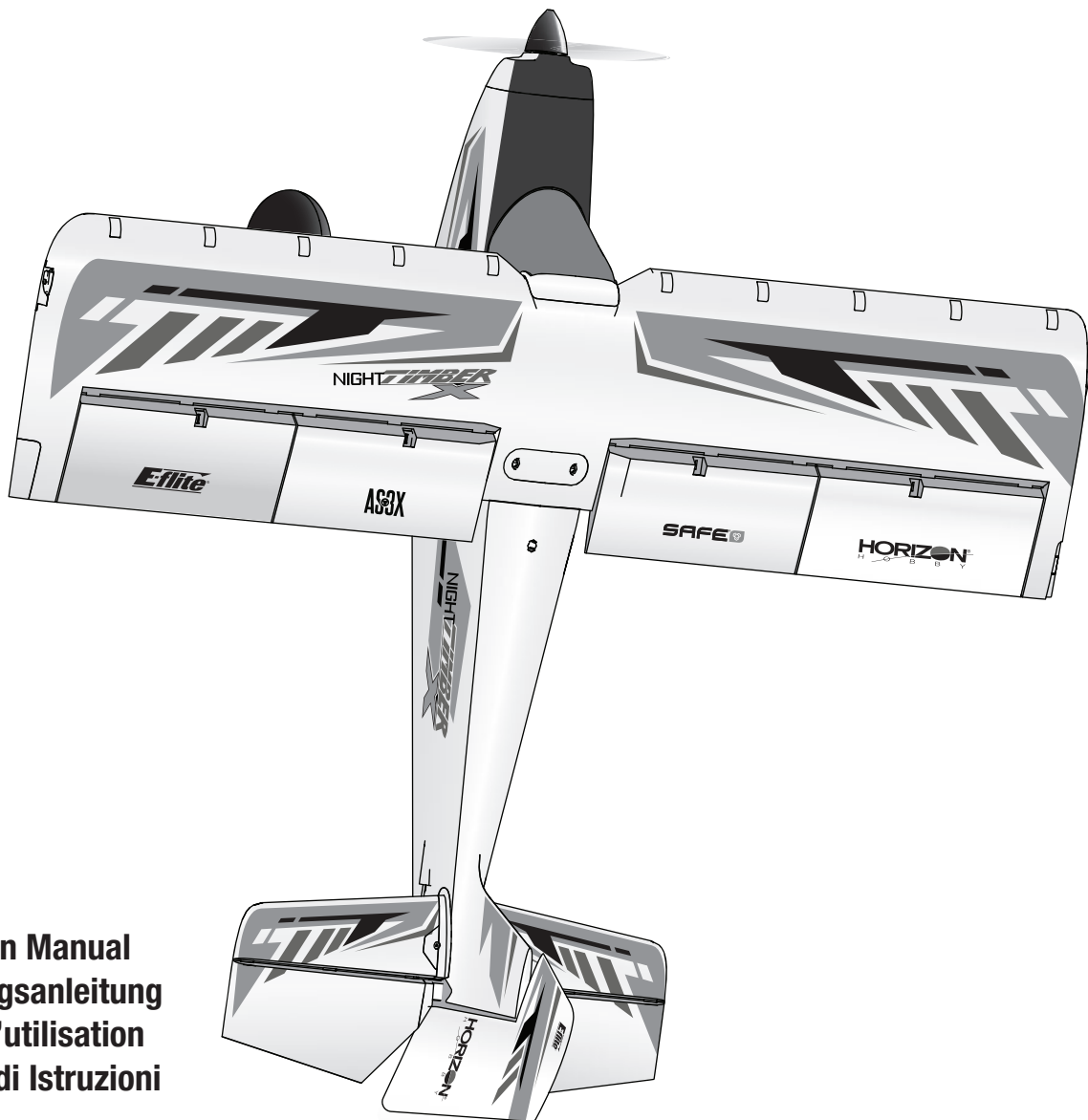


HORIZON[®]
H O B B Y

Eflite[®]
ADVANCING ELECTRIC FLIGHT

NIGHT **TIMBER**[®] X



Instruction Manual
Bedienungsanleitung
Manuel d'utilisation
Manuale di Istruzioni

SAFE[®] 

SAFE[®] Select Technology, Optional Flight Envelope Protection

Plug-N-Play[®] Bind-N-Fly[®]
BASIC

Replacement Parts

| Part # | Description |
|------------|----------------------------------|
| EFL13851 | Fuselage set :Night Timber X |
| EFL13852 | Wing set : Night Timber X |
| EFL13853 | Horizontal stab: Night timber X |
| EFL13854 | LED regulator : Night timber X |
| EFL13856 | Decal Sheet: Night Timber X |
| EFL3854 | Steel Stab Joiner: Timber X |
| EFL3855 | Leading Edge Slat: Timber X |
| EFL5253 | Battery Hatch: Timber |
| EFL5254 | Cowl: Timber |
| EFL5256 | Hardware Set: Timber |
| EFL5257 | Landing Gear Set: Timber |
| EFL5258 | Wheel Set: Timber |
| EFL5262 | Spinner: Timber |
| EFL5263 | Prop Adapter: Timber |
| EFL5264 | Motor Mount: Timber |
| EFL5265 | Plastic Parts Set: Timber |
| EFL5267 | Landing Gear Retainer: Timber |
| EFL5268 | Landing Gear Springs: Timber |
| EFL5269 | Wing and Stab Tube: Timber |
| EFLM17553 | Motor 10: 900kv |
| SPMAR637T | AR637T 6CH SAFE and AS3X TelemRX |
| SPMSA332 | 9g servo MG |
| SPMSA332R | 9g servo MG Reversed |
| SPMXAE1060 | Avian 60 Amp Brushless Smart ES |

Recommended Parts

| Part # | Description |
|---------------|---------------------------------|
| SPMR8000 | DX8 Transmitter Only MD2 |
| SPMX22003S100 | 2200mAh 3S 11.1V 100C Smart IC3 |
| SPMX22003S30 | 2200mAh 3S 11.1V Smart 30C; IC3 |
| SPMX22003S50 | 2200mAh 3S 11.1V Smart 50C; IC3 |
| SPMX22004S100 | 2200mAh 4S 14.8V 100C Smart IC3 |
| SPMX22004S30 | 2200mAh 4S 14.8V Smart 30C; IC3 |
| SPMX22004S50 | 2200mAh 4S 14.8V50CSmartLiPo IC |
| SPMXCA507 | IC3 Batt to IC5 Device 4 10AWG |
| SPMXC1000 | Smart S1200 DC Charger, 1x200W |
| SPMXC1010 | Smart S2100 AC Charger, 2x100W |
| SPMXC1050 | Smart S1500 DC Charger, 1x500W |

Optional Parts

| Part # | Description |
|--------------|----------------------------------|
| EFLA111 | LiPo Cell Voltage Checker |
| SPM6716 | Spektrum DSMR Transmitter Case |
| SPM6722 | Spektrum Single Aircraft TX Case |
| SPMAR9350 | AR9350 9 Channel AS3X RX |
| SPMR12000 | iX12 12 Channel Transmitter Only |
| SPMXBC100 | SMART Battery & Servo Tester |
| SPMX32003S30 | 3200mah 3S 11.1V Smart 30C; IC3 |
| SPMXC1000 | Smart S1200 DC Charger, 1x200W |
| SPMXC10201 | 30A 540W Power Supply |
| EFLB22003S30 | 2200mAh 3S 11.1V 30C; EC3 |
| EFLB22004S30 | 2200mAh 4S 14.8V 30C; EC3 |



©2020 Horizon Hobby, LLC.

E-flite, Timber, Avian, Plug-N-Play, Bind-N-Fly, BNF, the BNF logo, DSM, DSM2, DSMX, Spektrum AirWare, EC5, IC5, AS3X, SAFE, the SAFE logo, ModelMatch, and the Horizon Hobby logo are trademarks or registered trademarks of Horizon Hobby, LLC.

The Spektrum trademark is used with permission of Bachmann Industries, Inc.

Futaba is a registered trademark of Futaba Denshi Kogyo Kabushiki Kaisha Corporation of Japan.

All other trademarks, service marks and logos are property of their respective owners. US 8,672,726. US 9,056,667. US 9,753,457. US 10,078,329. US 9,930,567. US 10,419,970 .
<http://www.horizonhobby.com/>