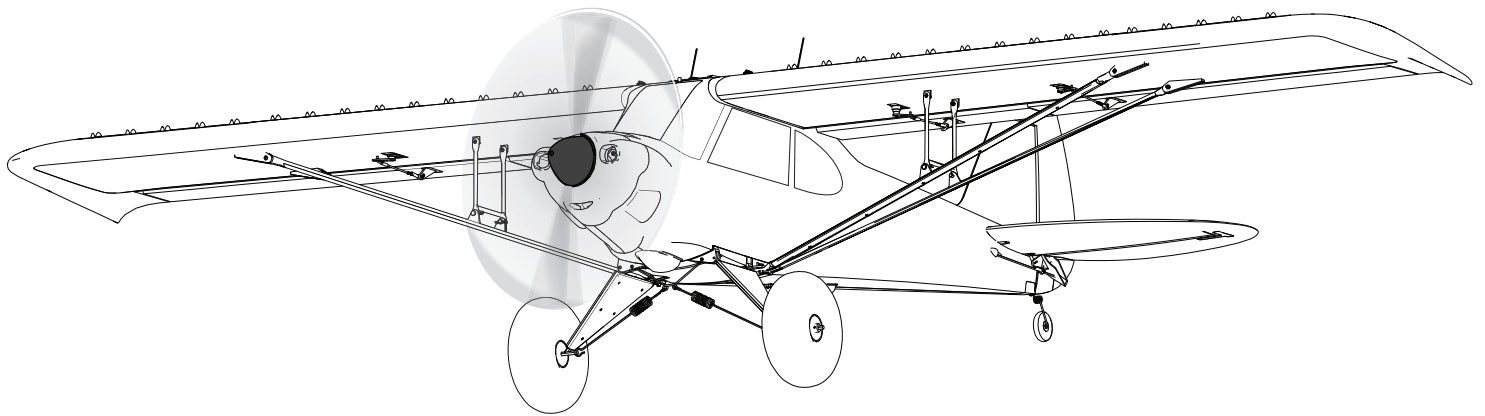


HORIZON[®]
H O B B Y

Eflite[®]
ADVANCING ELECTRIC FLIGHT

Carbon-Z[®] Cub SS



Instruction Manual
Bedienungsanleitung
Manuel d'utilisation
Manuale di Istruzioni

SAFE[®] 

SAFE[®] Select Technology, Optional Flight Envelope Protection

Plug-N-Play[®]

BNF[®]
BASIC

Problem	Possible Cause	Solution
Aircraft will not connect (after binding) to transmitter	Transmitter too near aircraft during connecting process	Move powered transmitter a few feet from aircraft, disconnect and reconnect flight battery to aircraft
	Aircraft or transmitter is too close to large metal object, wireless source or another transmitter	Move aircraft and transmitter to another location and attempt connecting again
	Bind plug left installed in bind port	Rebind transmitter to the aircraft and remove the bind plug before cycling power
	Aircraft bound to different model memory (ModelMatch™ radios only)	Select correct model memory on transmitter
	Flight battery/Transmitter battery charge is too low	Replace/recharge batteries
	Transmitter may have been bound to a different aircraft using different DSM protocol	Bind aircraft to transmitter
Control surface does not move	Control surface, control horn, linkage or servo damage	Replace or repair damaged parts and adjust controls
	Wire damaged or connections loose	Do a check of wires and connections, connect or replace as needed
	Transmitter is not bound correctly or the incorrect airplanes was selected	Re-bind or select correct airplanes in transmitter
	Flight battery charge is low	Fully recharge flight battery
	BEC (Battery Elimination Circuit) of the ESC is damaged	Replace ESC
Controls reversed	Transmitter settings are reversed	Perform the Control Direction Test and adjust the controls on transmitter appropriately
Motor power pulses then motor loses power	ESC uses default soft Low Voltage Cutoff (LVC)	Recharge flight battery or replace battery that is no longer performing
	Weather conditions might be too cold	Postpone flight until weather is warmer
	Battery is old, worn out, or damaged	Replace battery
	Battery C rating might be too small	Use recommended battery

Replacement Parts

Part #	Description
EFLM74501	Motor Shaft: BL50 Outrunner
EFL1025018	Motor Mount Set: Carbon-Z
EFL1045004	Stab Set: Carbon-Z Cub
EFL1045009	Wing & Stab Tube: Carbon-Z Cub
EFL1045010	Strut Set w/Hardware: Carbon-Z Cub
EFL1045011	Pushrod Set: Carbon-Z Cub
EFL1045013	Prop Shaft: Carbon-Z Cub
EFL1045014	Hdw Pack w/Ctrl Horns: Carbon-Z Cub
EFL1045025	Strut Pins and Clips: Carbon-Z Cub
EFL12401	NYA Fuselage: Carbon-Z Cub SS
EFL12402	NYA Wing Left: Carbon-Z Cub SS
EFL12403	NYA Wing Right: Carbon-Z Cub SS
EFL12405	NYA Rudder/Gear: Carbon-Z Cub SS
EFL12406	NYA Cowling: Carbon-Z Cub SS
EFL12407	NYA Hatches: Carbon-Z Cub SS
EFL12408	NYA Landing Gear: Carbon-Z Cub SS
EFL12412	NYA Tundra Tires: Carbon-Z Cub SS
EFL12415	NYA Decal Set: Carbon-Z Cub SS
EFL12421	NYA Vortex Generator: Carbon-Z Cub SS
EFL12422	NYA Wing Screws-Ant: Carbon-Z Cub SS
EFL12423	NYA Tailwheel: Carbon-Z Cub SS
EFL12424	NYA Spinner Orange: Carbon-Z Cub SS
EFLA1060B	60-Amp Pro SB Brushless ESC (V2)
EFL12425	Battery Tray
EFLM7450	"BL50 BL Outrunner Motor, 525Kv"
EFLP1570E	15 x 7 Electric Propeller
EFLR7145	26g Digital MG Mini Servo
EFLR7155	13g Digital Sub-Micro Servo
SPMAR636	AR636 6-Ch AS3X Sport Receiver

Recommended Parts

Part #	Description
SPMR636	AR636 6-Ch AS3X Sport Receiver
EFLB0004S30	14.8V 5000mAh 4 S 14.8V 30c LiPo, 10AWG EC5
SPMX40006S50	22.2V 4000mAh 6S 50C Smart LiPo Battery, IC5
SPMX50006S50	22.2V 4000mAh 6S 30C Smart LiPo Battery, IC5
EFLB50005S30	18.5V 5000mAh 5S 30C LiPo, 10AWG: EC5
EFLB50005S30	22.2V 5000mAh 6S 30C LiPo, 10AWG: EC5
SPMR6650	DX6e 6 Channel transmitter Only
DYNC2015	Prophet Precept 80W Charger
SPMXC1000	Smart S1200DC Charger, 1X200W

Optional Parts

Part #	Description
SPMAR636	AR636 6-Ch AS3X Sport Receiver
SPMR12000	iX12 12 Channel Transmitter Only
SPMR6750	DX6 Transmitter Only MD2 G3
SPMR8000	DX8 Transmitter Only MD2
SPMR8100	DX8e 8CH Transmitter Only
SPMR9910	DX9 Black Transmitter Only MD2
EFL12419	NYA Float Strut Set: Carbon-Z CUB
EFLA5600	Carbon-Z Float Set
APC17080E	Elictric Propeller, 17 x 8E
DYNC2050	Prophet Sport 4 x 100WAC/DC Charger
EFL1045023	Camera Mount: C-Z Cub
EFL12419	NYA Float Strut Set: Carbon-Z Cub S
EFLA56000	Carbon-Z Float Set
EFLB44006S30	22.2V 4400mAh 6S 30C LiPo, 10AWG: EC5
EFLB50006S30	22.2V 5000mAh 6S 30C LiPo, 10AWG: EC5
EFLM4060A	Power 60 BL Outrunner Motor, 400Kv
SPMR7350	7 Channel AS3X Receiver



© 2019 Horizon Hobby, LLC.

E-flite, Carbon-Z, DSM, DSM2, DSMX, Bind-N-Fly, BNF, the BNF logo, Plug-N-Play, AS3X, SAFE, the SAFE logo, ModelMatch, Z-Foam, Passport, Prophet, EC3, Spektrum AirWare, and the Horizon Hobby logo are trademarks or registered trademarks of Horizon Hobby, LLC.

The Spektrum trademark is used with permission of Bachmann Industries, Inc.

Cub Crafters, Carbon Cub, associated emblems and logos, and body designs of vehicles are either registered trademarks or trademarks of Cub Crafters, Inc. and are used with permission.

Futaba is a registered trademark of Futaba Denshi Kogyo Kabushiki Kaisha Corporation of Japan

All other trademarks, service marks and logos are property of their respective owners.

US 8,672,726. US 9,056,667. US 9,753,457. US 10,078,329. US 9,930,567. US 8,201,776

<http://www.e-fliterc.com/>