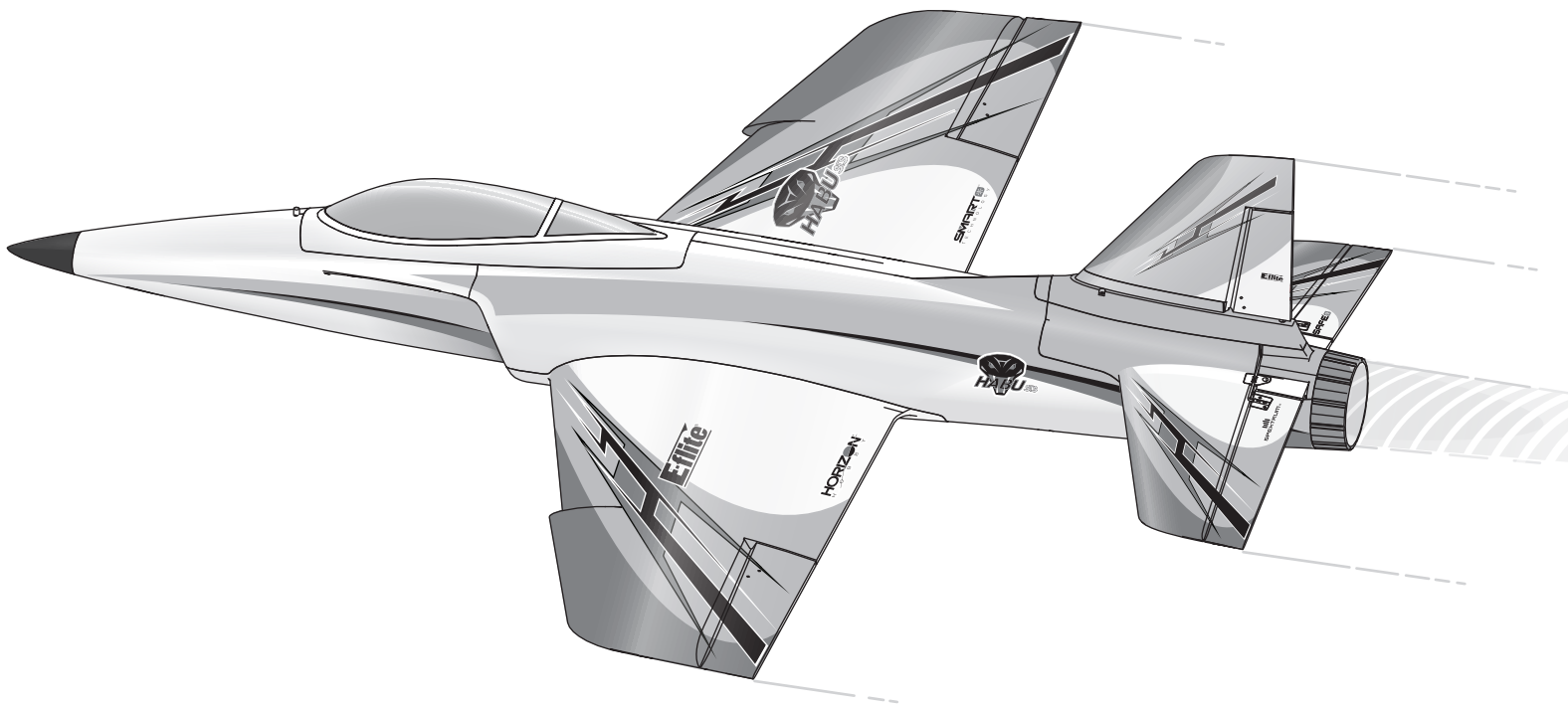


HORIZON
H O B B Y

E-flite
ADVANCING ELECTRIC FLIGHT

HABU^{STX}



Instruction Manual
Bedienungsanleitung
Manuel d'utilisation
Manuale di Istruzioni

SAFE  **SMART** 
TECHNOLOGY

SAFE® Select Technology, Optional Flight Envelope Protection

Ready-To-Fly

Plug-N-Play®

Replacement Parts

Part #	Description
EFL01551	Fuselage, Painted: Habu STS
EFL01552	Wing, Painted: Habu STS
EFL01553	Horizontal Stabilizer: Habu STS
EFL01554	Landing Gear Set: Habu STS
EFL01555	Hatch: Habu STS
EFL01556	Decal Sheet: Habu STS
EFL01557	Pushrod Set,Servo Cvr: Habu STS
EFL01558	70mm EDF Unit w/Motor: Habu STS
EFL01559	70mm Ducted Fan: Habu STS
EFL01560	Tail Cone: Habu STS
EFL01561	Hands-Free Connector: Habu STS
EFL01562	Vertical Fin Assembly: Habu STS
EFL01563	Control Horn Set: Habu STS
SPMXAE0070	70-Amp 3S/4S ESC w/Telemetry
SPM4650C	DSMX SRXL2 RX w/Connector
SPMA3230B	Flight Controller: Habu STS
SPMR1010	DXS Transmitter Only
SPMSA381	9g Mini Servo: 400mm Lead
SPMSA3811	Servo Arms, Gears SA381 Servo
SPMSA382	13g Metal Gear Servo, 240mm Lead
SPMSA3821	Servo Arms, Gears SA382 Servo
SPMX40003S30	4000mAh 3S 11.1V Smart 30C; IC3
SPMXAM1100	BL Motor 2847-3200: Habu STS
SPMXC1020	S120 USB-C Smart Charger, 1x20W

Recommended Parts

Part #	Description
SPMR1010	DXS Transmitter Only
SPMR8000	DX8 Transmitter Only MD2
SPMR9910	DX9 Black Transmitter Only MD2
SPMX40003S30	4000mah 3S 11.1V Smart 30C; IC3
SPMXC1010	Smart S2100 AC Charger, 2X100W

Optional Parts

Part #	Description
SPM6716	Spektrum DSMR Transmitter Case
SPM6722	Spektrum Single Aircraft TX Case
SPMA3180	Landing Assist Sensor (LAS)
SPMR8000	DX8 Transmitter Only MD2
SPMX32004S30	3200mAh 4S 14.8V Smart 30C; IC3
SPMX40004S30	4000mAh 4S 14.8V Smart 30C; IC3
SPMXBC100	SMART Battery & Servo Tester
SPMXC1010	Smart S2100 AC Charger, 2X100W
SPMXC10201	30A 540W Power Supply
SPMXC10202	16A 380W Power Supply
SPMXC1050	Smart S1500 DC Charger, 1x500W
SPMXC1070	Smart S150 AC/DC Charger, 1x50W



©2020 Horizon Hobby, LLC.

E-flite, Avian, Plug-N-Play, Bind-N-Fly, BNF, the BNF logo, DSM, DSM2, DSMX, SRXL2, Spektrum AirWare, EC5, IC5, AS3X, SAFE, the SAFE logo, ModelMatch, and the Horizon Hobby logo are trademarks or registered trademarks of Horizon Hobby, LLC.

The Spektrum trademark is used with permission of Bachmann Industries, Inc.

Futaba is a registered trademark of Futaba Denshi Kogyo Kabushiki Kaisha Corporation of Japan.

All other trademarks, service marks and logos are property of their respective owners. US 8,672,726. US 9,056,667. US 9,753,457. US 10,078,329. US 9,930,567. US 10,419,970 . CN201721563463.4. Other patents pending.

<http://www.horizonhobby.com/>