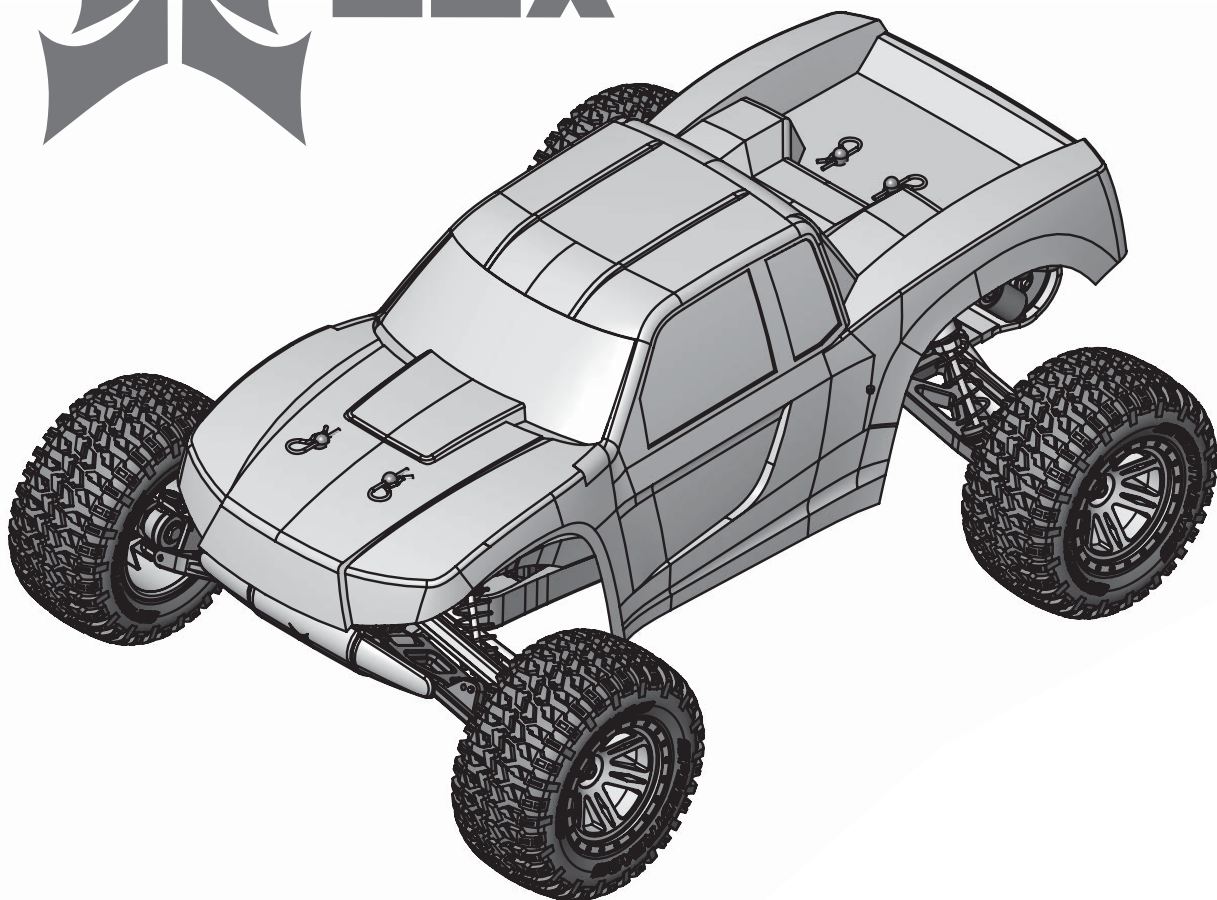




ECX[®]



AMP[®]
MT

1:10-SCALE 2WD MONSTER TRUCK KIT

ECX03034 // ECX03034I

**INSTRUCTION MANUAL
BEDIENUNGSANLEITUNG
MANUEL D'UTILISATION
MANUALE DI ISTRUZIONI**

Congratulations on your purchase of the ECX[®] AMP[®] MT 2WD Monster Truck kit. This 1:10-scale model introduces you to the sport of RC driving.

Herzlichen Glückwunsch zum Kauf des ECX AMP MT 2WD Monster Truck. Dieses 1:10 Scale Model öffnet Ihnen die Welt des RC Car Sports.

Nous vous félicitons pour l'achat du ECX AMP MT 2WD Monster Truck. Ce modèle 1:10 vous introduit au sport de la conduite RC.

Congratulazioni per l'acquisto di questo AMP MT ECX 2WD Monster Truck. Questa vettura in scala 1:10 vi introdurrà nel mondo dei modelli RC.

TROUBLESHOOTING GUIDE

Problem	Possible Cause	Solution
Short Run Time	<ul style="list-style-type: none"> • Battery damaged/not charged • Motor dirty 	<ul style="list-style-type: none"> • Check/change battery • Check/clean
Sluggish Action	<ul style="list-style-type: none"> • Motor dirty • Bind in drivetrain • Vehicle battery is not charged 	<ul style="list-style-type: none"> • Check/clean • Clean/adjust • Replace/recharge
Controls Reversed	<ul style="list-style-type: none"> • ST. REV or TH. REV 	<ul style="list-style-type: none"> • Change switch position
Motor/ESC overheat	<ul style="list-style-type: none"> • Over-geared for the driving environment 	<ul style="list-style-type: none"> • Install smaller pinion on the motor
Does Not Operate	<ul style="list-style-type: none"> • Transmitter batteries low • Transmitter powered off • ESC powered off • Vehicle battery is not charged • Dual-rate (D/R) steering and/or throttle knobs on transmitter are turned to zero 	<ul style="list-style-type: none"> • Replace/recharge • Power on • Power on • Replace/recharge • Adjust dual-rate (D/R) steering and/or throttle knobs to 10
Poor Range	<ul style="list-style-type: none"> • Transmitter batteries low • Receiver antenna damaged 	<ul style="list-style-type: none"> • Replace/recharge • Check/repair/replace
The system will not connect	<ul style="list-style-type: none"> • Transmitter and receiver too near each other • Transmitter and receiver too near large metal objects (vehicles, etc.) • Throttle trim out of center on transmitter • Receiver accidentally put in bind mode so receiver is no longer bound 	<ul style="list-style-type: none"> • Move transmitter 3.3–9.8ft (1–3m) from receiver • Move away from large metal objects (vehicles, etc.) • Set throttle trim on transmitter to zero. Turn off and on transmitter and vehicle • Rebind transmitter and receiver
The receiver goes into failsafe mode a short distance away from the transmitter	<ul style="list-style-type: none"> • Check the receiver antenna to be sure it is not cut or damaged 	<ul style="list-style-type: none"> • Make sure the antenna is in the antenna tube • Contact Horizon Product Support
The receiver quits responding during operation	<ul style="list-style-type: none"> • Low battery voltage • Loose or damaged wires or connectors between battery and receiver 	<ul style="list-style-type: none"> • Completely recharge battery • Do a check of the wires and connection between battery and receiver. Repair or replace wires and/or connectors
Receiver and transmitter are not bound	<ul style="list-style-type: none"> • Transmitter accidentally put in bind mode, ending bind to receiver 	<ul style="list-style-type: none"> • Bind transmitter to receiver
Vehicle moves forward or backward without input from user	<ul style="list-style-type: none"> • Throttle trim on transmitter not centered 	<ul style="list-style-type: none"> • Adjust throttle trim to set neutral point
Car does not drive straight	<ul style="list-style-type: none"> • Steering trim on transmitter not centered 	<ul style="list-style-type: none"> • Adjust steering trim so vehicle drives straight
No steering or lack of steering	<ul style="list-style-type: none"> • Steering dual-rate (D/R) not adjusted correctly • Servo failed 	<ul style="list-style-type: none"> • Adjusts steering dual-rate (D/R) knob on transmitter to desired steering throw • Contact Horizon Product Support
No throttle or lack of throttle	<ul style="list-style-type: none"> • Throttle dual-rate (D/R) not adjusted correctly • ESC failed • Motor failed 	<ul style="list-style-type: none"> • Adjust the throttle dual-rate (D/R) knob on transmitter to desired steering throw • Contact Horizon Product Support • Contact Horizon Product Support
Clicking noise in transmission area	<ul style="list-style-type: none"> • Dirt or rocks in spur gear • Motor moved away from spur gear 	<ul style="list-style-type: none"> • Remove gear cover and inspect. If necessary, replace gear • Reset gear mesh

LIMITED WARRANTY

What This Warranty Covers

Horizon Hobby, LLC, (Horizon) warrants to the original purchaser that the product purchased (the "Product") will be free from defects in materials and workmanship at the date of purchase.

What is Not Covered

This warranty is not transferable and does not cover (i) cosmetic damage, (ii) damage due to acts of God, accident, misuse, abuse, negligence, commercial use, or due to improper use, installation, operation or maintenance, (iii) modification of or to any part of the Product, (iv) attempted service by anyone other than a Horizon Hobby authorized service center, (v) Product not purchased from an authorized Horizon dealer, or (vi) Product not compliant with applicable technical regulations or (vii) use that violates any applicable laws, rules, or regulations.

OTHER THAN THE EXPRESS WARRANTY ABOVE, HORIZON MAKES NO OTHER WARRANTY OR REPRESENTATION, AND HEREBY DISCLAIMS ANY AND ALL IMPLIED WARRANTIES, INCLUDING, WITHOUT LIMITATION, THE IMPLIED WARRANTIES OF NON-INFRINGEMENT, MERCHANTABILITY AND FITNESS FOR A PARTICULAR PURPOSE. THE PURCHASER ACKNOWLEDGES THAT THEY ALONE HAVE DETERMINED THAT THE PRODUCT WILL SUITABLY MEET THE REQUIREMENTS OF THE PURCHASER'S INTENDED USE.

Purchaser's Remedy

Horizon's sole obligation and purchaser's sole and exclusive remedy shall be that Horizon will, at its option, either (i) service, or (ii) replace, any Product determined by Horizon to be defective. Horizon reserves the right to inspect any and all Product(s) involved in a warranty claim. Service or replacement decisions are at the sole discretion of Horizon. Proof of purchase is required for all warranty claims. SERVICE OR REPLACEMENT AS PROVIDED UNDER THIS WARRANTY IS THE PURCHASER'S SOLE AND EXCLUSIVE REMEDY.

Limitation of Liability

HORIZON SHALL NOT BE LIABLE FOR SPECIAL, INDIRECT, INCIDENTAL OR CONSEQUENTIAL DAMAGES, LOSS OF PROFITS OR PRODUCTION OR COMMERCIAL LOSS IN ANY WAY, REGARDLESS OF WHETHER SUCH CLAIM IS BASED IN CONTRACT, WARRANTY, TORT, NEGLIGENCE, STRICT LIABILITY OR ANY OTHER THEORY OF LIABILITY, EVEN IF HORIZON HAS BEEN ADVISED OF THE POSSIBILITY OF SUCH DAMAGES. Further, in no event shall the liability of Horizon exceed the individual price of the Product on which liability is asserted. As Horizon has no control over use, setup, final assembly, modification or misuse, no liability shall be assumed nor accepted for any resulting damage or injury. By the act of use, setup or assembly, the user accepts all resulting liability. If you as the purchaser or user are not prepared to accept the liability associated with the use of the Product, purchaser is advised to return the Product immediately in new and unused condition to the place of purchase.

Law

These terms are governed by Illinois law (without regard to conflict of law principals). This warranty gives you specific legal rights, and you may also have other rights which vary from state to state. Horizon reserves the right to change or modify this warranty at any time without notice.

WARRANTY SERVICES

Questions, Assistance, and Services

Your local hobby store and/or place of purchase cannot provide warranty support or service. Once assembly, setup or use of the Product has been started, you must contact your local distributor or Horizon directly. This will enable Horizon to better answer your questions and service you in the event that you may need any assistance. For questions or assistance, please visit our website at www.horizonhobby.com, submit a Product Support

Inquiry, or call the toll free telephone number referenced in the Warranty and Service Contact Information section to speak with a Product Support representative.

Inspection or Services

If this Product needs to be inspected or serviced and is compliant in the country you live and use the Product in, please use the Horizon Online Service Request submission process found on our website or call Horizon to obtain a Return Merchandise Authorization (RMA) number. Pack the Product securely using a shipping carton. Please note that original boxes may be included, but are not designed to withstand the rigors of shipping without additional protection. Ship via a carrier that provides tracking and insurance for lost or damaged parcels, as Horizon is not responsible for merchandise until it arrives and is accepted at our facility. An Online Service Request is available at http://www.horizonhobby.com/content/_service-center_render-service-center. If you do not have internet access, please contact Horizon Product Support to obtain a RMA number along with instructions for submitting your product for service. When calling Horizon, you will be asked to provide your complete name, street address, email address and phone number where you can be reached during business hours. When sending product into Horizon, please include your RMA number, a list of the included items, and a brief summary of the problem. A copy of your original sales receipt must be included for warranty consideration. Be sure your name, address, and RMA number are clearly written on the outside of the shipping carton.

NOTICE: Do not ship LiPo batteries to Horizon. If you have any issue with a LiPo battery, please contact the appropriate Horizon Product Support office.

Warranty Requirements

For Warranty consideration, you must include your original sales receipt verifying the proof-of-purchase date. Provided warranty conditions have been met, your Product will be serviced or replaced free of charge. Service or replacement decisions are at the sole discretion of Horizon.

Non-Warranty Service

Should your service not be covered by warranty, service will be completed and payment will be required without notification or estimate of the expense unless the expense exceeds 50% of the retail purchase cost. By submitting the item for service you are agreeing to payment of the service without notification. Service estimates are available upon request. You must include this request with your item submitted for service. Non-warranty service estimates will be billed a minimum of ½ hour of labor. In addition you will be billed for return freight. Horizon accepts money orders and cashier's checks, as well as Visa, MasterCard, American Express, and Discover cards. By submitting any item to Horizon for service, you are agreeing to Horizon's Terms and Conditions found on our website http://www.horizonhobby.com/content/_service-center_render-service-center.



ATTENTION: Horizon service is limited to Product compliant in the country of use and ownership. If received, a non-compliant Product will not be serviced. Further, the sender will be responsible for arranging return shipment of the non-serviced Product, through a carrier of the sender's choice and at the sender's expense. Horizon will hold non-compliant Product for a period of 60 days from notification, after which it will be discarded.

WARRANTY AND SERVICE CONTACT INFORMATION

Country of Purchase	Horizon Hobby	Contact Information	Address
United States of America	Horizon Service Center (Repairs and Repair Requests)	servicecenter.horizonhobby.com/RequestForm/	4105 Fieldstone Rd Champaign, Illinois 61822 USA
	Horizon Product Support (Product Technical Assistance)	productsupport@horizonhobby.com 877-504-0233	
	Sales	websales@horizonhobby.com 800-338-4639	
European Union	Horizon Technischer Service	service@horizonhobby.eu	Hanskamping 9 D 22885 Barsbüttel, Germany
	Sales: Horizon Hobby GmbH	+49 (0) 4121 2655 100	

FCC Statement

FCC ID: XNZKTH91802G

This device complies with part 15 of the FCC rules. Operation is subject to the following two conditions: (1) This device may not cause harmful interference, and (2) this device must accept any interference received, including interference that may cause undesired operation.

CAUTION: Changes or modifications not expressly approved by the party responsible for compliance could void the user's authority to operate the equipment.

This product contains a radio transmitter with wireless technology which has been tested and found to be compliant with the applicable regulations governing a radio transmitter in the 2.400GHz to 2.4835GHz frequency range.

IC Information

IC: 20264-KTH91802G

This device complies with Industry Canada license-exempt RSS standard(s). Operation is subject to the following two conditions: (1) this device may not cause interference, and (2) this device must accept any interference, including interference that may cause undesired operation of the device.

CE EU Compliance Statement: Horizon Hobby, LLC hereby declares that this product is in compliance with the essential requirements and other relevant provisions of the RED, EMC Directive, and LVD Directive.

A copy of the EU Declaration of Conformity is available online at: <http://www.horizonhobby.com/content/support-render-compliance>.



Instructions for disposal of WEEE by users in the European Union

This product must not be disposed of with other waste. Instead, it is the user's responsibility to dispose of their waste equipment by handing it over to a designated collections point for the recycling of waste electrical and electronic equipment. The separate collection and recycling of your waste equipment at the time of disposal will help to conserve natural resources and ensure that it is recycled in a manner that protects human health and the environment. For more information about where you can drop off your waste equipment for recycling, please contact your local city office, your household waste disposal service or where you purchased the product.

Optional Parts List • Optionale Teile • Liste des options • Elenco parti opzionali

Part Number	English	Deutsch	Français	Italiano
DYN1060EC	Speedpack 2400mAh Ni-MH 6-Cell Flat with EC3 Conn	Speedpack 6-Zellen 2400mAh Flat-NiMH-Akku m. EC3-Anschluss	Speedpack Ni-Mh 7,2V 2400mA avec prise EC3	Speedpack 2400mAh batteria NiMH 6 celle flat con connettore EC3
DYN1070EC	Speedpack 3300mAh Ni-MH 6-Cell Flat with EC3 Conn	Speedpack 6-Zellen 3300mAh Flat-NiMH-Akku m. EC3-Anschluss	Speedpack Ni-Mh 7,2V 3300mA avec prise EC3	Speedpack 2400mAh batteria NiMH 6 celle flat con connettore EC3
DYNC0500	20W NiMH AC Battery Charger	20W NiMH-Wechselstrom-Ladegerät	Chargeur AC 20W Ni-Mh, EU	Caricabatteria NiMH 20W AC
DYNC2000CA	Prophet Sport NiMH 35W AC Charger	Prophet Sport 35W NiMH-Wechselstrom-Ladegerät	Chargeur Prophet Sport Ni-MH 35W AC	Prophet Sport caricabatteria NiMH 35W AC
ECX1079	Spring Set, Soft, Red (4): 1:10 2WD Cir/Ruk/Torm	ECX Dämpferfederet weich (4 Stk): 1:10 2WD Cir/Ruk/Torm	1/10 2WD Cir/Ruc/Torm - Set de ressorts d'amortisseurs souples, rouges (4)	Set molle, soft, rosse: 1:10 2WD Cir/Ruk/Torm
ECX1080	Spring Set, Firm, Blue (4): 1:10 2WD Cir/Ruk/Torm	ECX Dämpferfederet hart (4 Stk): 1:10 2WD Cir/Ruk/Torm	1/10 2WD Cir/Ruc/Torm - Set de ressorts d'amortisseurs durs, bleus (4)	Set molle, firm, blu: 1:10 2WD Cir/Ruk/Torm
ECX1095	Aluminum Shock Set Front: 1:10 2WD Cir/Ruk/Torm	ECX Aluminium-Dämpferet vorne: 1:10 2WD Cir/Ruk/Torm	1/10 2WD Cir/Ruc/Torm - Amortisseurs avant en aluminium	Set ammortizz. ant., alluminio: 1:10 2WD Cir/Ruk/Torm
ECX1096	Aluminum Shock Set Rear: 1:10 2WD Cir/Ruk/Torm	ECX Aluminium-Dämpferet hinten: 1:10 2WD Cir/Ruk/Torm	1/10 2WD Cir/Ruc/Torm - Amortisseurs arrière en aluminium	Set ammortizz. post., alluminio: 1:10 2WD Cir/Ruk/Torm
ECX10003	2.4GHz Surface Transmitter V4	ECX 2.4GHz Surface Sender, V4	Émetteur voiture 2,4GHz V4	Trasmittente surface 2,4 GHz, V4
ECX230016	Body, White/Orange: 1:10 AMP MT	ECX Karosserie weiss /orange 1:10 AMP MT	AMP MT 1/10 - Carrosserie Blanc/Orange	Carrozzeria, bianco/arancione 1:10 AMP MT
ECX230017	Body, Black/Green: 1:10 AMP MT	ECX Karosserie schwarz /grün 1:10 AMP MT	AMP MT 1/10 - Carrosserie Noir/Vert	Carrozzeria, nero/verde 1:10 AMP MT
ECX230018	Body, Clear: 1:10 AMP MT	ECX Karosserie transparent 1:10 AMP MT	AMP MT 1/10 - Carrosserie transparente	Carrozzeria, trasparente 1:10 AMP MT
ECX331000	Front Shock Tower, Aluminum, 1:10 2WD ALL	ECX Aluminium-Dämpferbrücke vorne: ECX 1/10 2WD	1/10 2WD - Support d'amortisseurs avant en aluminium	Torre ammortizz. ant., alluminio: 1:10 2WD ALL
ECX332000	Wheel Hex Set, Aluminum, 1:10 2WD Circuit/Boost	ECX Aluminium Radmutterset: Circuit/Boost 1/10 2WD	1/10 2WD Circuit/Boost - Set d'hexagones de roues en aluminium	Set esagoni ruote, alluminio: 1:10 2WD Circuit/Boost
ECX334000	Rear Hubs, Aluminum, 1:10 2WD ALL	ECX Aluminium-Radträger hinten: ECX 1/10 2WD	1/10 2WD - Fusées arrière en aluminium	Mozzi posteriori, alluminio: 1:10 2WD ALL
ECX334001	Caster Block, Aluminum 1:10 2WD ALL	ECX Aluminium-Achsschenkelträger: ECX 1/10 2WD	1/10 2WD - Étriers porte fusées en aluminium	Caster block, alluminio: 1:10 2WD ALL
ECX334002	Steering Block, Aluminum 1:10 2WD ALL	ECX Aluminium-Lenkträger: ECX 1/10 2WD	1/10 2WD - Fusées avant en aluminium	Fusello dello sterzo, alluminio: 1:10 2WD ALL
SPMSS6170	S6170 Standard Digital Surface Servo	Spektrum S6170 Standard-Digitalservo	Servo digital Standard S6170 pour surface	S6170 servocomando digitale standard surface

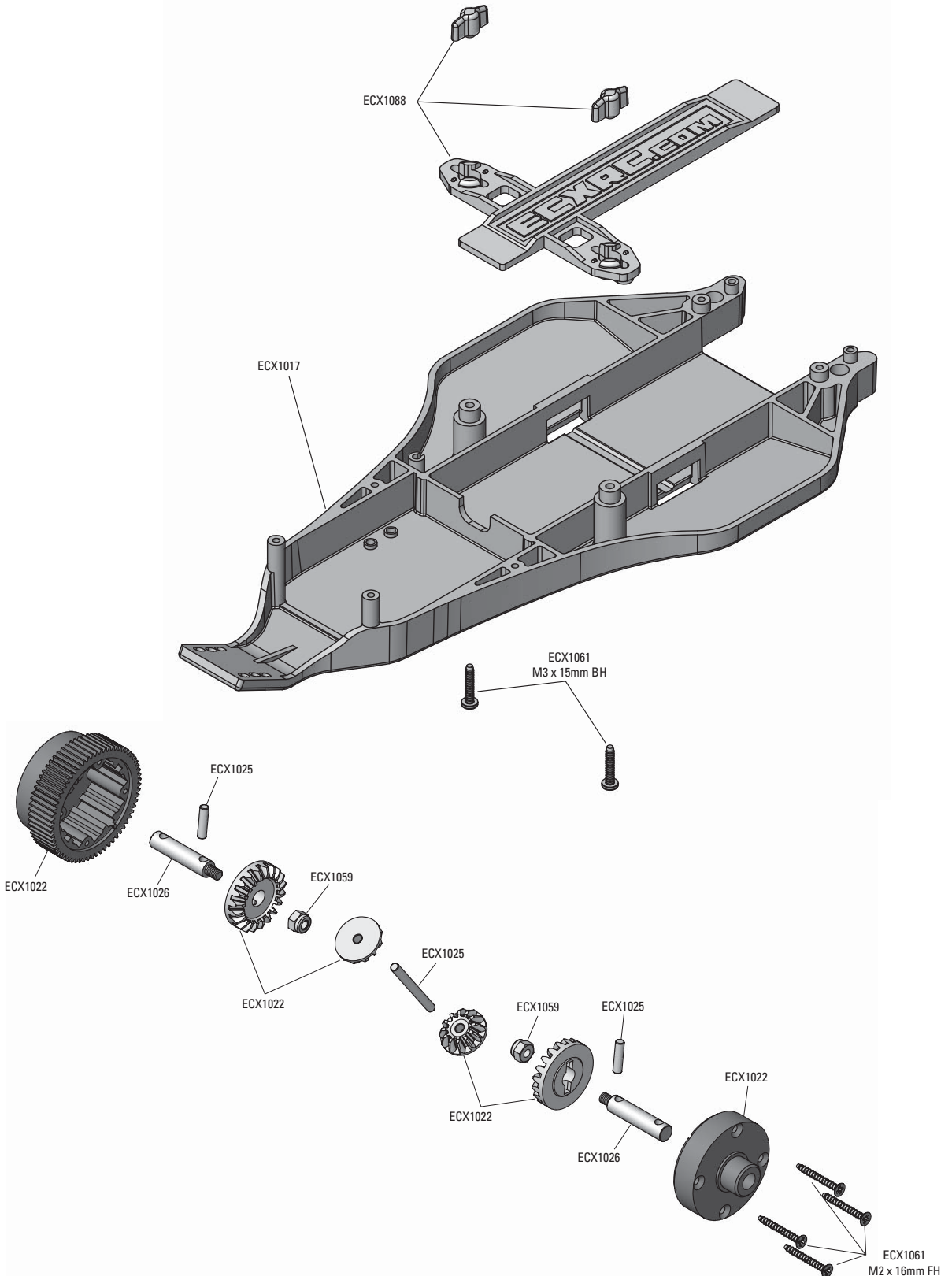
Replacement Parts List • Teileliste

Part Number	English	Deutsch
DYN1050EC	Speedpack 1800mAh Ni-MH 6-Cell Flat with EC3 Connector	Dynamite Speedpack 6-Zellen 1800mAh Flat-NiMH-Akku m. EC3-Anschluss
DYN1171	Dynamite 20-Turn Brushed Motor	Dynamite Büstenmotor 20T
ECX1015	5x10x4mm Ball Bearing (8)	ECX 5x10x4mm Radlager (8)
ECX1017	Chassis: 1:10 2WD Circuit	ECX Hauptchassis: 1:10 2WD Circuit
ECX1018	Fr Susp Arm (2): 1:10 2WD Cir/Ruc/Tor	ECX Querlenkerset vorne: 1:10 2WD Cir/Ruc/Tor
ECX1019	R Susp Arm (2): 1:10 2WD Cir/Ruc/Tor	ECX Querlenkerset hinten: 1:10 2WD Cir/Ruc/Tor
ECX1021	Transmission Case Set: 1:10 2WD All	ECX Getriebegehäuseset: ECX 1/10 2WD
ECX1022	Transmission Plastic Gear Set: 1:10 2WD All	ECX Getriebeset: ECX 1/10 2WD
ECX1023	Top Shaft & Spacer: 1:10 2WD All	ECX Hauptzahnradwelle m. Distanzstück: ECX 1/10 2WD
ECX1024	Slipper Assembly: 1:10 2WD All	ECX Slippereinheit: ECX 1/10 2WD
ECX1025	Transmission Pins and Diff Pins: 1:10 2WD All	ECX Stiftsatz f. Antrieb: ECX 1/10 2WD
ECX1026	Transmission Outdrive Shaft (2): 1:10 2WD All	ECX Getriebeausgangswelle (2 Stk): ECX 1/10 2WD
ECX1027	Gear Cover: 1:10 2WD All	ECX Getriebeabdeckungsset: ECX 1/10 2WD
ECX1028	Servo Saver Set: 1:10 2WD All	ECX Servosaver: ECX 1/10 2WD
ECX1029	Top Plate: 1:10 2WD Circuit, Boost	ECX Chassisoberteil: 1:10 2WD Circuit, Boost
ECX1033	3x13mm Driveshaft Screw (8)	ECX CVD-Schraube (8 Stk)
ECX1035	Front Axle (2): 1:10 2WD All	ECX Vorderachse (2 Stk): ECX 1/10 2WD
ECX1036	Shock Body Set, Plastic: 1:10 2WD Cir/Ruc/Tor	ECX Stoßdämpfergehäuse Kunststoff: 1:10 2WD Cir/Ruc/Tor
ECX1037	Shock Cap, Piston, Pivot Ball Set: 1:10 2WD All	ECX Dämpferkappen u. Kolben: ECX 1/10 2WD
ECX1038	Shock End, Spr Cup, Spr Clip Set: 1:10 2WD All	ECX Dämpferteileset: ECX 1/10 2WD
ECX1039	Front Shock Shaft (2): 1:10 2WD Cir/Ruc/Tor	ECX vordere Dämpferstange (2 Stk): 1:10 2WD Cir/Ruc/Tor
ECX1040	Rear Shock Shaft (2): 1:10 2WD Cir/Ruc/Tor	ECX hintere Dämpferstange (2 Stk): 1:10 2WD Cir/Ruc/Tor
ECX1041	Fr Spring Blk, Medium (2): All 1:10 2WD	ECX vordere Dämpferfeder medium (2 Stk): ECX 1/10 2WD
ECX1042	Rear Spring Blk, Medium (2): 1:10 2WD Cir/Ruc/Tor	ECX hintere Dämpferfeder medium (2 Stk): 1:10 2WD Cir/Ruc/Tor
ECX1043	Shock O-Ring Set: 1:10 2WD All	ECX O-Ringeset f. Dämpfer: ECX 1/10 2WD
ECX1044	Hinge Pin Set: 1:10 2WD All	ECX Scharnierstiftesatz: ECX 1/10 2WD
ECX1045	2.5x4mm BH Screw (8)	ECX Scharnierstiftsicherungsschrauben (8 Stk)
ECX1046	Link Set, Plastic: 1:10 2WD Cir/Ruc/Tor	ECX Radsturz u. Spurstangenset: 1:10 2WD Cir/Ruc/Tor
ECX1048	Body Clips (8)	ECX Karosserieclips (8 Stk)
ECX1049	Wheel Pin (4): 1:10 2WD All	ECX Radstifte (4 Stk): ECX 1/10 2WD
ECX1050	3x12mm Set Screw (4)	ECX Schraubenset M 3 x 12 (4 Stk)
ECX1051	3x3mm Set Screw (6)	ECX Schraubenset M 3 x 12 (6 Stk)
ECX1052	Washer/Shim Set	ECX Electrix-Unterlegscheibenset
ECX1055	10x15x4mm Ball Bearing (2)	ECX Kugellager 10 x 15 x 4 (2 Stk)
ECX1056	3x6x2.8mm Bushing (2)	ECX Lager 3 x 6 x 2,8 mm (2 Stk)
ECX1057	3mm E-Clip (8)	ECX E-Clips (8 Stk)
ECX1058	Ball Stud (6)	ECX Kugelzapfen (6 Stk)
ECX1059	M3 Locknut (4)	ECX M3 Stoppmutter (4 Stk)
ECX1060	M4 Locknut, Flanged (4)	ECX M4 Stoppmutter (4 Stk)
ECX1061	Screw Set (64): 1:10 2WD All	ECX Blechschraubenset (64 Stk): ECX 1/10 2WD
ECX1065	Shoulder Screw Set (8)	ECX Bundschraubenset (8 Stk)
ECX1076	Spur Gear	ECX Hauptzahnrad
ECX1088	Battery Strap, ESC Plate: 1:10 2WD Circuit, Boost	ECX Electrix-Akkuhalter m. Reglerplatte: 1:10 2WD Circuit, Boost
ECX1092	Fr/R Suspension Mount Set: 1:10 2WD Circuit, Boost	ECX Electrix-Federungseinheit hinten: 1:10 2WD Circuit, Boost
ECX1093	Front Body Mount Set: Circuit	ECX Electrix-Karosseriehalter vorne: Circuit
ECX1098	Motor screw/washer set	ECX Electrix-Motorschraubenset
ECX13010	ESC/Receiver 2.4GHZ, WP, V4: 1/10	ECX ESC/Empfänger 2.4ghz V4 1:10 spritzwassergeschützt
ECX10003	2.4 GHz, Transmitter, V4	2.4 Ghz Sender, V4
ECX231000	Front Bumper, Motor Guard: 1:10 2WD Circuit, Boost	ECX Stoßfänger u. Motorschutz: 1:10 2WD Circuit, Boost
ECX234000	Caster Blck, Steer Block, RR Hub (2): 1:10 2WD All	ECX Lenk- und Radträgerset vorne/hinten: ECX 1/10 2WD
ECX3010	Shock Tower Set: 1:10 2WD Boost	ECX Dämpferbrücke: 1:10 2WD Boost
ECX3015	Wing, Body Mount Set: 1:10 2WD Boost	ECX Flügel-Karosseriehalterung: 1:10 2WD Boost
ECX43012	FR/R Tire, Prmnt, Blk Wheel (2): 1:10 AMP MT/DB	ECX Reifen vorne/hinten, schwarz, vormontiert: 1:10 AMP MT/DB
LOS4118	48 Pitch Pinion Gear, 18T	48 Motoritzel 18Z

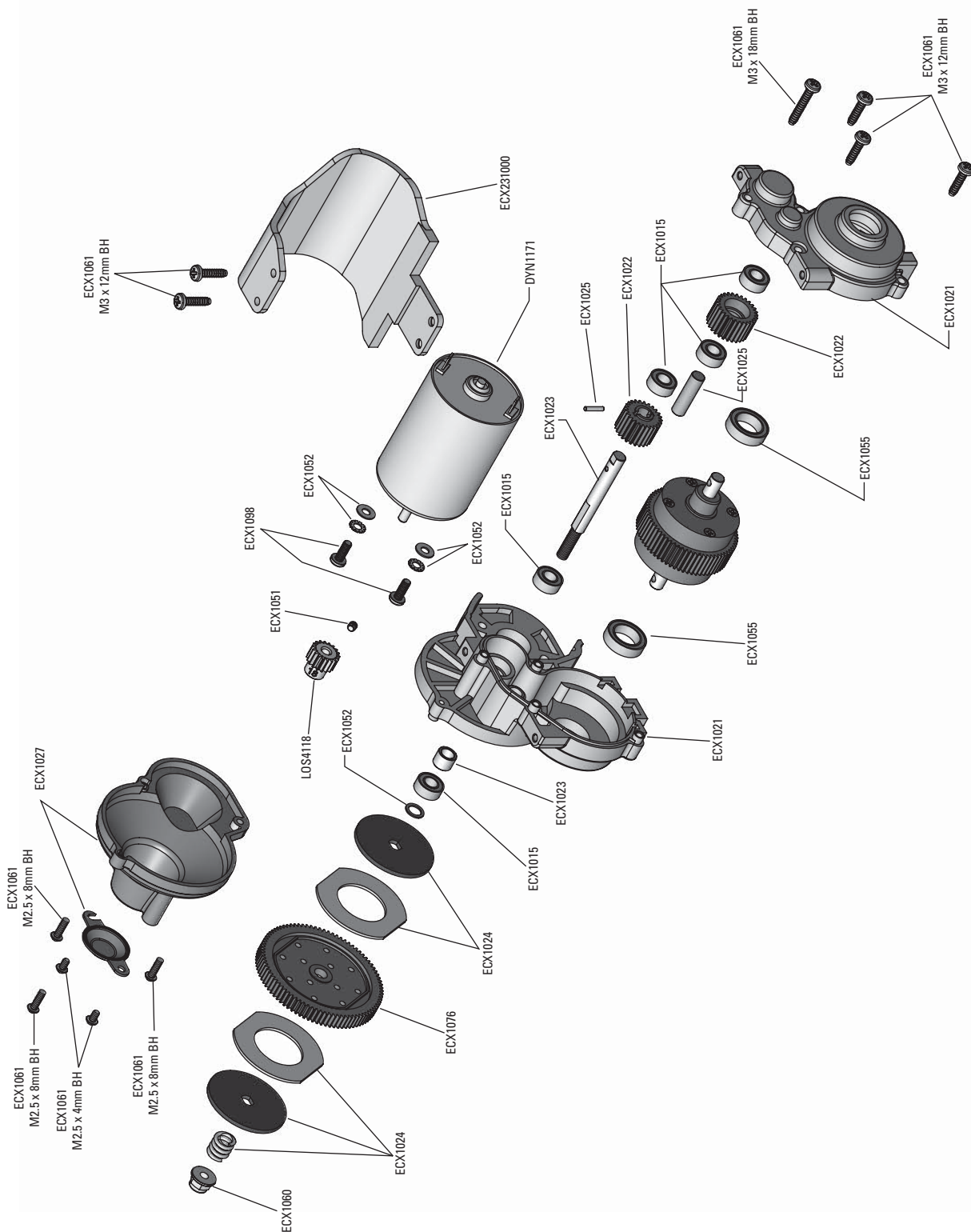
Liste des pièces de rechange • Elenco dei ricambi

Part Number	Français	Italiano
DYN1050EC	Speedpack Ni-Mh 7,2V 1800mA avec prise EC3	Speedpack 1800mAh NiMH 6 celle flat con connettore EC3
DYN1171	Moteur Brushed Dynamite 20T	Dynamite 20-Turn motore brushed
ECX1015	Roulements 5 x 10 x 4mm (10)	5 x 10 x 4mm cuscinetto (8)
ECX1017	1/10 2WD Circuit - Châssis	Telaio: 1:10 2WD Circuit
ECX1018	1:10 2WD Cir/Ruc/Tor - Set de triangles avant	Braccetti sospensioni ant. (2): 1:10 2WD Cir/Ruc/Tor
ECX1019	1:10 2WD Cir/Ruc/Tor - Set de triangles arrière	Braccetti sospensioni post. (2): 1:10 2WD Cir/Ruc/Tor
ECX1021	1/10 2WD - Boitier de transmission	Set scatola trasmissione: 1:10 2WD All
ECX1022	1/10 2WD - Boitier de transmission en plastique	Set ingranaggio trasmissione in plastica: 1:10 2WD All
ECX1023	1/10 2WD - Arbre supérieur & entretoises	Albero superiore e distanziale: 1:10 2WD All
ECX1024	1/10 2WD - Slipper	Gruppo slipper: 1:10 2WD All
ECX1025	1/10 2WD - Goupilles de transmission et différentiels	Perni trasmissione e differenziale: 1:10 2WD All
ECX1026	1/10 2WD - Axes de transmission extérieur (2)	Albero trascinatore trasmissione: 1:10 2WD All
ECX1027	1/10 2WD - Couverture de couronne	Copertura ingranaggio: 1:10 2WD All
ECX1028	1/10 2WD - Sauve servo	Set salvaservo: 1:10 2WD All
ECX1029	1/10 2WD Circuit, Boost - Platine supérieure	Corperchio superiore: 1:10 2WD Circuit, Boost
ECX1033	Vis de cardan 3 x 13mm (8)	3 x 13mm vite albero di trasmissione (8)
ECX1035	1/10 2WD - Axes de roues avant (2)	Asse anterieure: 1:10 2WD All
ECX1036	1/10 2WD Cir/Ruc/Tor - Corps d'amortisseurs, plastique	Set corpo ammortizzatore, plastica: 1:10 2WD Cir/Ruc/Tor
ECX1037	1/10 2WD - Bouchon, piston et rotule d'amortisseur	Set tappo, pistone, perno a sfera ammortizzatore: 1:10 2WD All
ECX1038	1/10 2WD - Chape d'amortisseurs avec coupelle et clip	Set boccole, terminali, clip ammortizzatore: 1:10 2WD All
ECX1039	1/10 2WD Cir/Ruc/Tor - Tiges d'amortisseur avant (2)	Stelo ammortizzatore ant.: 1:10 2WD Cir/Ruc/Tor
ECX1040	1/10 2WD Cir/Ruc/Tor - Tiges d'amortisseur arrière (2)	Stelo ammortizzatore post.: 1:10 2WD Cir/Ruc/Tor
ECX1041	1/10 2WD - Ressort d'amortisseurs avant Médium (2)	Molla ant. nera, media (2): All 1:10 2WD
ECX1042	1/10 2WD Cir/Ruc/Tor - Ressort d'amortisseurs arrière Médium (2)	Molla post. nera, media (2): 1:10 2WD Cir/Ruc/Tor
ECX1043	1/10 2WD - Joint torique amortisseur	Set o-ring ammortizz.: 1:10 2WD All
ECX1044	1/10 2WD - Set d'axes de suspension	Set perni braccetti: 1:10 2WD All
ECX1045	Vis à tête bombée 2,5 x 4mm (8)	2.5x4mm vite a testa tonda (8)
ECX1046	1/10 2WD Cir/Ruc/Tor - Set de biellettes en plastique	Set collegamenti, plastica: 1:10 2WD Cir/Ruc/Tor
ECX1048	Clips de carrosserie (8)	Clip carrozzeria (8)
ECX1049	1/10 2WD - Goupilles d'entraînement (4)	Perno cerchione (4): 1:10 2WD All
ECX1050	Vis 3 x 12mm (4)	3 x 12mm set viti (4)
ECX1051	Vis 3 x 3mm (6)	3 x 3mm set viti (6)
ECX1052	Set de cales et rondelles	Set rondelle/spessori
ECX1055	Roulements 10 x 15 x 4mm (2)	10 x 15 x 4mm cuscinetto (2)
ECX1056	Paliers 3 x 6 x 2,8mm (2)	3x6x2.8mm boccole (2)
ECX1057	E-clip 3mm (8)	E-clip 3mm (8)
ECX1058	Rotules (6)	Sfere uniball (6)
ECX1059	Écrou auto-freiné M3 (4)	M3 dadi autobloccanti (4)
ECX1060	Écrou auto-freiné épaulé M4 (4)	M4 dadi autobloccanti, flangiati (4)
ECX1061	1/10 2WD - Vis (64)	Set viti (64): 1:10 2WD All
ECX1065	Vis épaulée (8)	Set viti a doppio stadio (8)
ECX1076	Couronne	Ingranaggio
ECX1088	1/10 2WD Circuit, Boost - Sangle batterie , platine variateur	Velcro fissaggio batteria e piastra ESC: 1:10 2WD Circuit, Boost
ECX1092	1/10 2WD Circuit, Boost - Jeu de renfort de suspension avant et arrière	Set supporto sospensioni ant./post.: 1:10 2WD Circuit, Boost
ECX1093	1/10 2WD Circuit - Support de carrosserie avant	Se supporto carrozzeria ant.: Circuit
ECX1098	Vis et rondelle moteur	Set vite/rondella motore
ECX13010	ESC / Récepteur 2.4GHZ, Imperméable, V4: 1/10	ESC / ricevitore 2,4 GHz, impermeabile, V4: 1/10
ECX10003	Emetteur 2.4GHZ, V4	Trasmettitore 2.4GHZ, V4
ECX231000	1/10 2WD Circuit, Boost - Pare choc avant, protection moteur	Paraurto anteriore, protezione motore: 1:10 2WD Circuit, Boost
ECX234000	1/10 2WD - Etrier porte fusée, fusée avant et arrière (2)	Caster Block, fusello sterzo, mozzo post.: 1:10 2WD Circuit, Boost
ECX3010	1/10 2WD Boost - Jeu de support d'amortisseur	Set torre ammortizz.: 1:10 2WD Boost
ECX3015	1/10 2WD Boost - Aileron, Set Montage Carrosserie	Set supporto carrozzeria, ailette: 1:10 2WD Boost
ECX43012	AMP MT/DB 1/10 - Pneus av/arr montés sur jantes noires (2)	Cerchione nero con gomme montate ant./post. (2): 1:10 AMP MT/DB
LOS4118	Pignon moteur 48DP, 18T	Pignone 48P, (18T)

**PARTS DIAGRAM | EXPLOSIONSZEICHUNG | VUE ÉCLATÉE DES PIÈCES |
ESPLOSO DEL MODELLO CON REFERENZA PEZZI**



**PARTS DIAGRAM | EXPLOSIONSZEICHNUNG | VUE ÉCLATÉE DES PIÈCES |
ESPLOSO DEL MODELLO CON REFERENZA PEZZI**





ECX03034

www.ecxrc.com