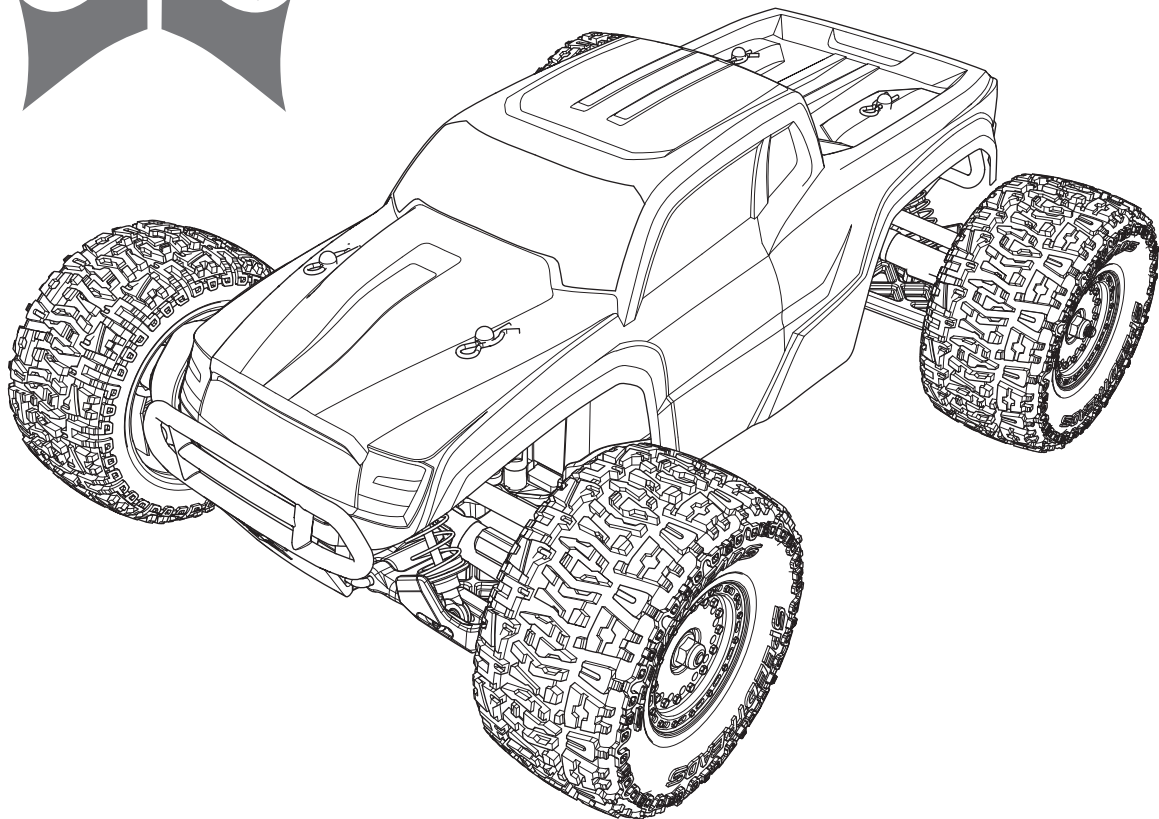




ECX[®]



RUCKUS[®]

1:18-SCALE 4WD MONSTER TRUCK

ECX01000T1 | ECX01000AUT1 | ECX01000IT1
ECX01000T2 | ECX01000AUT2 | ECX01000IT2

INSTRUCTION MANUAL
BEDIENUNGSANLEITUNG
MANUEL D'UTILISATION
MANUALE DI ISTRUZIONI

Congratulations on your purchase of the ECX[®] Ruckus[®] 4WD Monster Truck. This 1:18-scale model introduces you to the sport of RC driving.

Herzlichen Glückwunsch zum Kauf des ECX Ruckus 4WD Monster Truck. Dieses 1:18 Scale Model öffnet Ihnen die Welt des RC Car Sports.

Nous vous félicitons pour l'achat du ECX Ruckus 4WD Monster Truck. Ce modèle 1:18 vous introduit au sport de la conduite RC.

Congratulazioni per l'acquisto di questo Ruckus ECX 4WD Monster Truck. Questa vettura in scala 1:18 vi introdurrà nel mondo dei modelli RC.

NOTICE

All instructions, warranties and other collateral documents are subject to change at the sole discretion of Horizon Hobby, LLC. For up-to-date product literature, visit <http://www.horizonhobby.com> and click on the support tab for this product.

Meaning of Special Language:

The following terms are used throughout the product literature to indicate various levels of potential harm when operating this product:

WARNING: Procedures, which if not properly followed, create the probability of property damage, collateral damage, and serious injury OR create a high probability of superficial injury.

CAUTION: Procedures, which if not properly followed, create the probability of physical property damage AND a possibility of serious injury.

NOTICE: Procedures, which if not properly followed, create a possibility of physical property damage AND little or no possibility of injury.



WARNING: Read the ENTIRE instruction manual to become familiar with the features of the product before operating. Failure to operate the product correctly can result in damage to the product, personal property and cause serious injury.

This is a sophisticated hobby product and NOT a toy. It must be operated with caution and common sense and requires some basic mechanical ability. Failure to operate this Product in a safe and responsible manner could result in injury or damage to the product or other property. This product is not intended for use by children without direct adult supervision. Do not use with incompatible components or alter this product in any way outside of the instructions provided by Horizon Hobby, LLC. This manual contains instructions for safety, operation and maintenance. It is essential to read and follow all the instructions and warnings in the manual, prior to assembly, setup or use, in order to operate correctly and avoid damage or serious injury.

Age Recommendation: Not for children under 14 years. This is not a toy.**Safety Precautions and Warnings**

As the user of this product, you are solely responsible for operating in a manner that does not endanger yourself and others or result in damage to the product or property of others.

This model is controlled by a radio signal subject to interference from many sources outside your control. This interference can cause momentary loss of control, so it is advisable to always keep a safe distance in all directions around your model as this margin will help avoid collisions or injury.

- Never operate your model with low transmitter batteries.
- Always operate your model in open spaces away from full-size vehicles, traffic and people.
- Never operate the model in the street or in populated areas for any reason.
- Carefully follow the directions and warnings for this and any optional support equipment (chargers, rechargeable battery packs, etc.) you use.
- Keep all chemicals, small parts and anything electrical out of the reach of children.

- Never lick or place any portion of the model in your mouth as it could cause serious injury or even death.
- Exercise caution when using tools and sharp instruments.
- Take care during maintenance as some parts may have sharp edges.
- Immediately after using your model, do NOT touch equipment such as the motor, electronic speed control and battery, because they generate high temperatures. You may burn yourself seriously touching them.
- Do not put fingers or any objects inside rotating and moving parts, as this may cause damage or serious injury.
- Always turn on your transmitter before you turn on the receiver in the car. Always turn off the receiver before turning your transmitter off.
- Keep the wheels of the model off the ground when checking the operation of the radio equipment.

TABLE OF CONTENTS

Specifications.....	3	Setting the Gear Mesh.....	9
Components	4	Initial Setup.....	9
Charging Warnings	4	Binding	9
Charging the Vehicle Battery	4	Maintenance	10
Removing the Vehicle Body	5	Troubleshooting Guide	10
Installing Transmitter Batteries	5	Limited Warranty	10
Transmitter Controls.....	6	Warranty and Service Contact Information	11
Installing the Vehicle Battery.....	6	FCC Information.....	11
Getting Started.....	7	IC Information.....	11
Installing the Vehicle Body	7	Compliance Information For The European Union	12
Operation.....	8	Parts Diagram.....	47-49
When You Are Finished.....	8	Parts List.....	50

WATER-RESISTANT VEHICLE WITH WATERPROOF ELECTRONICS

Your new Horizon Hobby vehicle has been designed and built with a combination of waterproof and water-resistant components to allow you to operate the product in many “wet conditions,” including puddles, creeks, wet grass, snow and even rain.

While the entire vehicle is highly water-resistant, it is not completely waterproof and your vehicle should NOT be treated like a submarine. The various electronic components used in the vehicle, such as the Electronic Speed Control (ESC), servo(s) and receiver are waterproof, however, most of the mechanical components are water-resistant and should not be submerged.

Metal parts, including the bearings, hinge pins, screws and nuts, as well as the contacts in the electrical cables, will be susceptible to corrosion if additional maintenance is not performed after running in wet conditions. To maximize the long-term performance of your vehicle and to keep the warranty intact, the procedures described in the “Wet Conditions Maintenance” section below must be performed regularly if you choose to run in wet conditions. If you are not willing to perform the additional care and maintenance required, then you should not operate the vehicle in those conditions.



CAUTION: Failure to exercise caution while using this product and complying with the following precautions could result in product malfunction and/or void the warranty.

General Precautions

- Read through the wet conditions maintenance procedures and make sure that you have all the tools you will need to properly maintain your vehicle.
- Not all batteries can be used in wet conditions. Consult the battery manufacturer before use. Caution should be taken when using Li-Po batteries in wet conditions.
- Most transmitters are not water-resistant. Consult your transmitter’s manual or the manufacturer before operation.
- Never operate your transmitter or vehicle where lightning may be present.
- Do not operate your vehicle where it could come in contact with salt water (ocean water or water on salt-covered roads), contaminated or polluted water. Salt water is very conductive and highly corrosive, so use caution.
- Even minimal water contact can reduce the life of your motor if it has not been certified as water-resistant or waterproof. If the motor becomes excessively wet, apply very light throttle until the water is mostly removed from the motor. Running a wet motor at high speeds may rapidly damage the motor.

- Driving in wet conditions can reduce the life of the motor. The additional resistance of operating in water causes excess strain. Alter the gear ratio by using a smaller pinion or larger spur gear. This will increase torque (and motor life) when running in mud, deeper puddles, or any wet conditions that will increase the load on the motor for an extended period of time.

Wet Conditions Maintenance

- Drain any water that has collected in the tires by spinning them at high speed. With the body removed, place the vehicle upside down and pull full throttle for a few short bursts until the water has been removed.



CAUTION: Always keep hands, fingers, tools and any loose or hanging objects away from rotating parts when performing the above drying technique.

- Remove the battery pack(s) and dry the contacts. If you have an air compressor or a can of compressed air, blow out any water that may be inside the recessed connector housing.
- Remove the tires/wheels from the vehicle and gently rinse the mud and dirt off with a garden hose. Avoid rinsing the bearings and transmission.

NOTICE: Never use a pressure washer to clean your vehicle.

- Use an air compressor or a can of compressed air to dry the vehicle and help remove any water that may have gotten into small crevices or corners.
- Spray the bearings, drive train, fasteners and other metal parts with a water-displacing light oil or lubricant. Do not spray the motor.
- Let the vehicle air dry before you store it. Water (and oil) may continue to drip for a few hours.
- Increase the frequency of disassembly, inspection and lubrication of the following:
 - Front and rear axle hub assembly bearings.
 - All transmission cases, gears and differentials.
 - Motor—clean with an aerosol motor cleaner and re-oil the bushings with lightweight motor oil.

SPECIFICATIONS

Transmitter

Frequency	2.4GHz
Battery	AA x 4

Servo

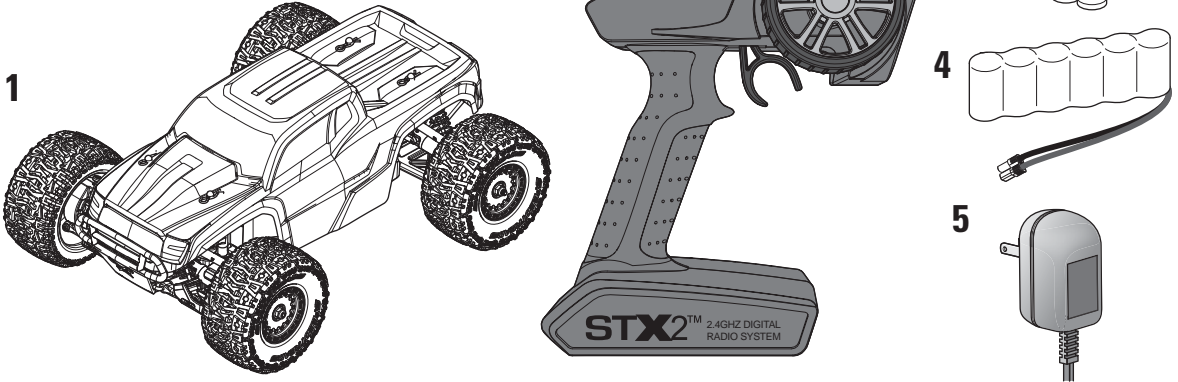
Power Supply	4.8V~6V
Output Torque	41.7 oz-in @6.0V (3.0 kg-cm) 34.7 oz-in @4.8V (2.5 kg-cm)
Operating Speed	0.12 Sec/60° @6.0V 0.14 Sec/60° @4.8V
Size	28.19 (L) x 12.8 (W) x 27.0mm (H)

Electronic Speed Control (ESC)

Input Voltage	6V–7.4V
Electric Capacity (FET)	Forward 15A
Electric Capacity (FET)	Reverse 15A
PWM Frequency	1kHz
BEC Voltage	5V/1A
Size	34mm (L) × 34mm (W) × 17mm (H)
Weight	40g

COMPONENTS

1. ECY® Ruckus® 1:18-scale 4WD Monster Truck
2. STX2 2-channel 2.4 GHz FHSS Transmitter (SPMRSTX200)
3. AA Batteries (4)
4. 7.2V 900mAh Ni-MH Battery (DYN1462)
5. 100mAh Wall Charger



CHARGING WARNINGS



WARNING: Failure to exercise caution while using this product and comply with the following warnings could result in product malfunction, electrical issues, excessive heat, FIRE, and ultimately injury and property damage.

- Read all safety precautions and literature prior to use of this product.
- Never leave the battery and charger unattended during use.
- Never allow children under 14 years of age to charge battery packs.
- Never attempt to charge dead or damaged batteries.
- Never charge a battery if the cable has been pinched or shorted.
- Never allow batteries or charger to come into contact with moisture at any time.
- Never charge batteries in extremely hot or cold places (recommended between 50–80°F (10–26°C)) or place in direct sunlight.
- Always use only Ni-MH rechargeable batteries. This charger cannot charge batteries such as “heavy duty”, “alkaline”, “mercury” or “lithium” battery.
- Always connect to the charger correctly.
- Always disconnect the battery and charger after charging and let them cool between charges.
- Always inspect the battery before charging.
- Always terminate all processes and contact Horizon Hobby if the product malfunctions.
- Always make sure you know the specifications of the battery to be charged or discharged to ensure it meets the requirements of this charger.
- Always constantly monitor the temperature of the battery pack while charging.
- Always end the charging process if the charger or battery becomes hot to the touch or starts to change form during the charge process.
- Always charge in a well ventilated area.

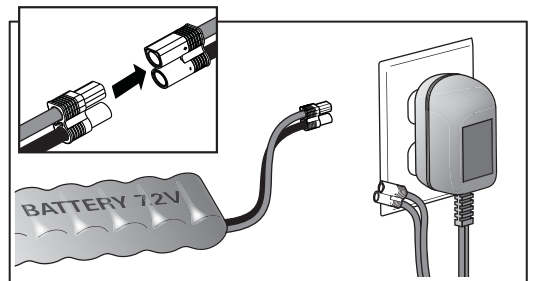
CHARGING THE VEHICLE BATTERY

1. Connect the battery pack to the charger.
2. Connect the charger to an AC power source.
3. Allow the battery pack to charge for 9 hours.

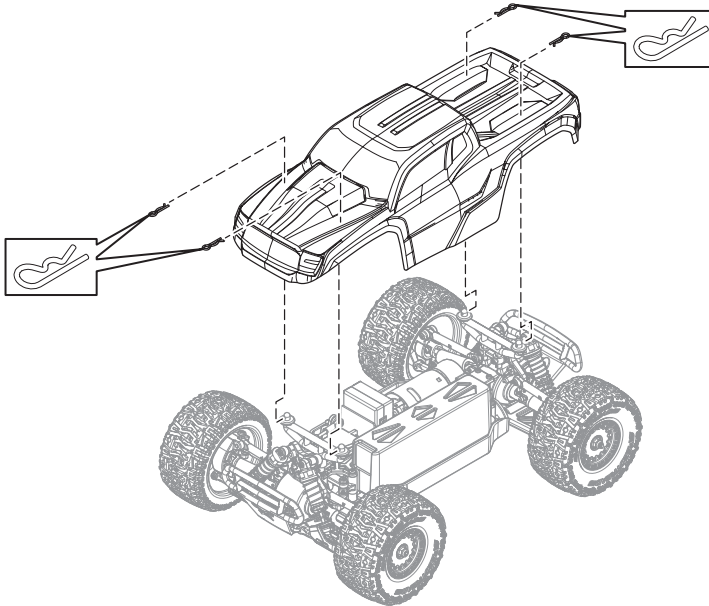
NOTICE: The vehicle battery charger produces 100 milliamps per hour. Divide the battery capacity (mAh) on the label by 100 to determine how long the battery needs to charge. For example, a 900mAh battery requires 9 hours to charge.



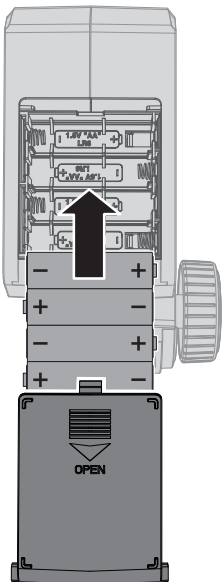
WARNING: This charger is only designed to charge NiMH batteries. Never use this charger with a Li-Po battery.



REMOVING THE VEHICLE BODY



INSTALLING TRANSMITTER BATTERIES



This transmitter requires 4 AA batteries.

1. Remove the battery cover from the transmitter.
2. Install the batteries as shown.
3. Install the battery cover.

We recommend using only alkaline AA batteries in the transmitter, however, it is possible to use rechargeable Ni-MH batteries.



CAUTION: If using rechargeable batteries, charge only rechargeable batteries. Charging non-rechargeable batteries may cause the batteries to burst, resulting in injury to persons and/or damage to property.

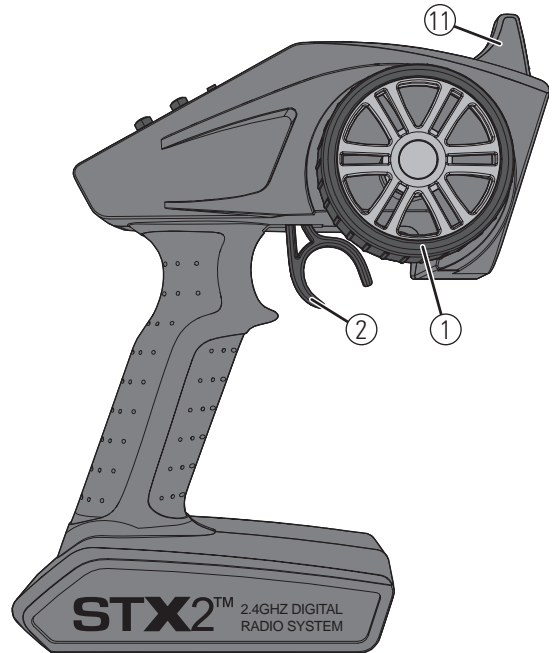
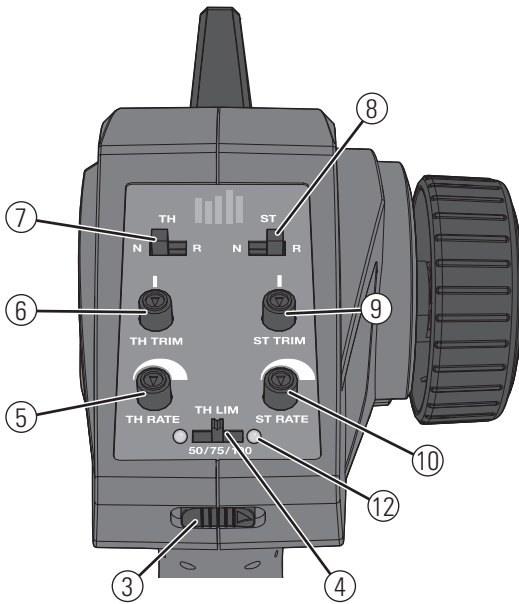


CAUTION: Risk of explosion if battery is replaced by an incorrect type. Dispose of used batteries according to national regulations.

TRANSMITTER BATTERY SAFETY PRECAUTIONS

- Never install damaged batteries.
- Never install batteries of mixed types or of different ages in the transmitter.
- Always remove exhausted batteries.
- Always remove batteries before storing the transmitter.
- Low battery power can result in loss of control of the RC vehicle.

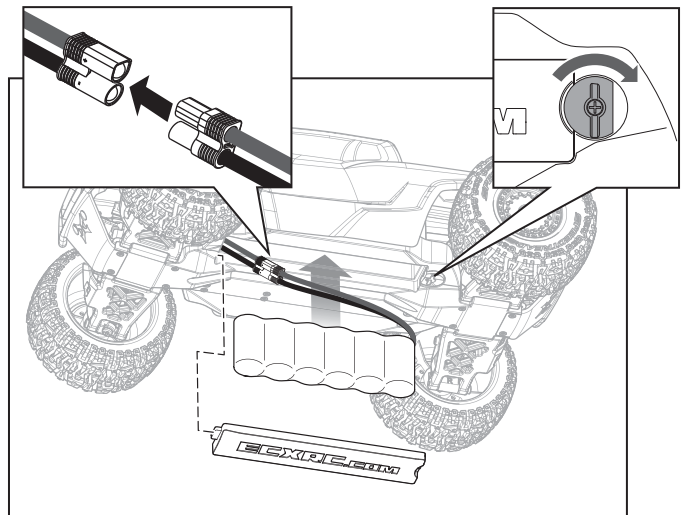
TRANSMITTER CONTROLS



1. **Steering Wheel** Controls direction (left/right) of the model
2. **Throttle Trigger** Controls speed and direction (forward/brake/reverse) of the model
3. **ON/OFF Switch** Turns the power ON/OFF
4. **Throttle Limiting Switch** Adjusts the throttle limit from 50%, 75%, and 100%
5. **TH Rate** Adjusts the end point of the throttle
6. **TH Trim** Adjusts the throttle neutral point
7. **TH REV** Reverses the function of the speed control when pulled back or pushed forward
8. **ST REV** Reverses the function of the steering when the wheel is turned left or right
9. **ST Trim** Adjusts the steering center point
10. **ST Rate** Adjusts the end point of the steering
11. **Antenna** Transmits the signal to the model
12. **Indicator Lights**
 - **Solid red lights**—Indicates radio connectivity and adequate battery power
 - **Flashing red lights**—Indicates the battery voltage is critically low. Replace batteries

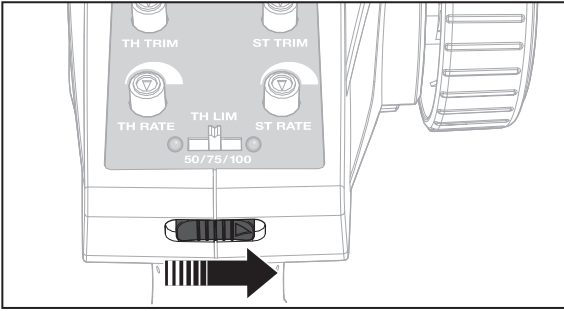
INSTALLING THE VEHICLE BATTERY

1. Turn the battery door latch counter-clockwise to release the battery door.
2. Remove the battery door from the vehicle.
3. Connect the battery to the Electronic Speed Control (ESC) /Receiver unit connector within the battery compartment.
4. Install the vehicle battery pack as shown.
5. Re-install the battery door.
6. Turn the battery door latch clockwise to secure the door.

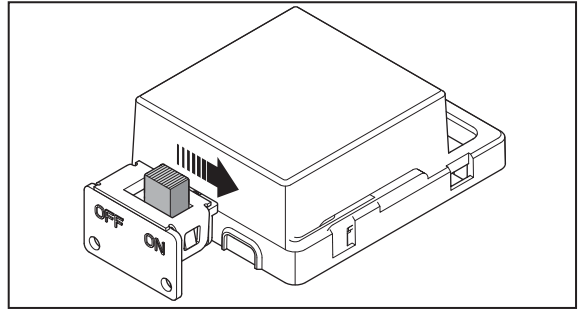


GETTING STARTED

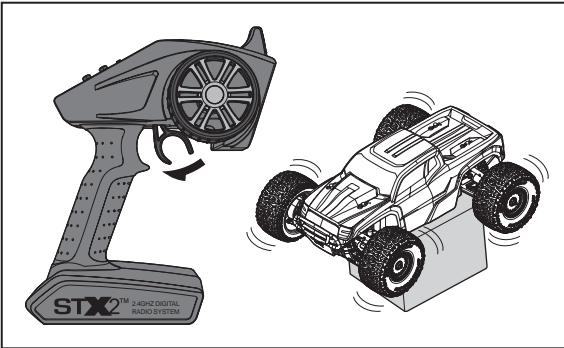
1. Power on the transmitter.



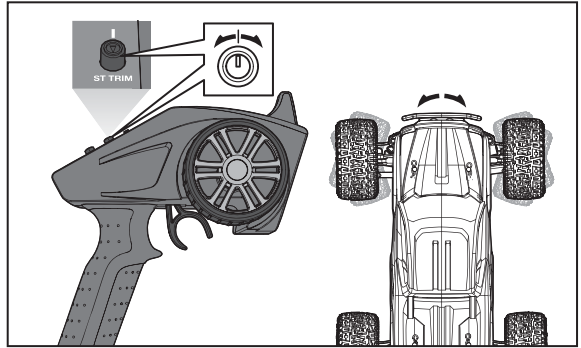
2. Connect the battery to the Electronic Speed Control (ESC) / Receiver unit and power on the vehicle.



3. Do a test of the transmitter's control of the vehicle with the vehicle's wheels off the ground.

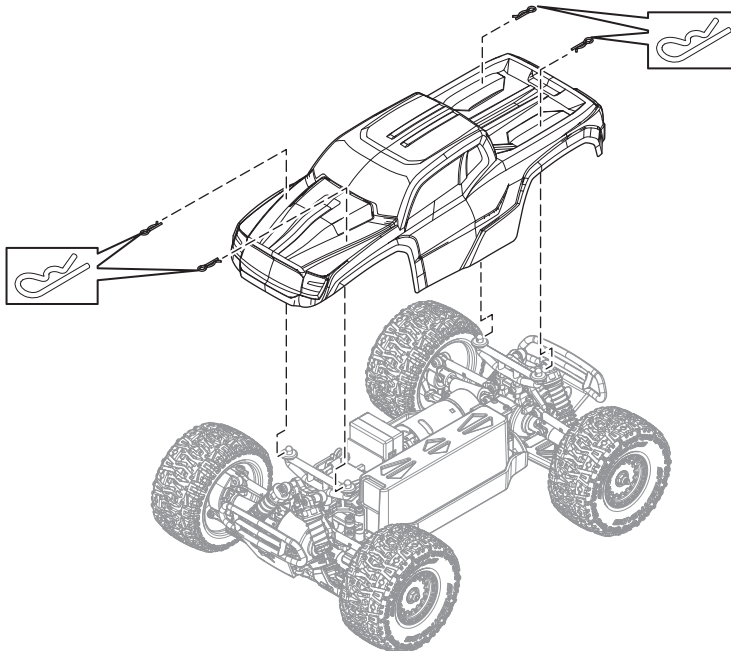


4. Start driving slowly. If the wheels are not straight, adjust the steering trim dial on the transmitter.



TIP: Seat the motor brushes by driving smoothly on a flat surface during use of the first battery charge. Properly seating the motor brushes will increase the life and performance of the motor.

INSTALLING THE VEHICLE BODY



OPERATION

- ALWAYS turn on your transmitter before you turn on the receiver in the vehicle. Always turn off the receiver before turning your transmitter off.
- ALWAYS operate your vehicle in a wide open area. Operating the vehicle in a small space or indoors can cause overheating at low speeds. Operating at low speed increases heat in the electronic speed control (ESC). Overheating can damage the vehicle and failure may result.

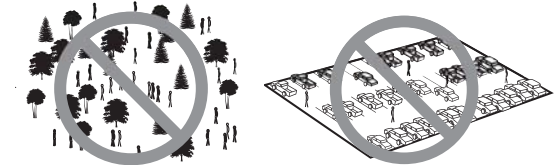
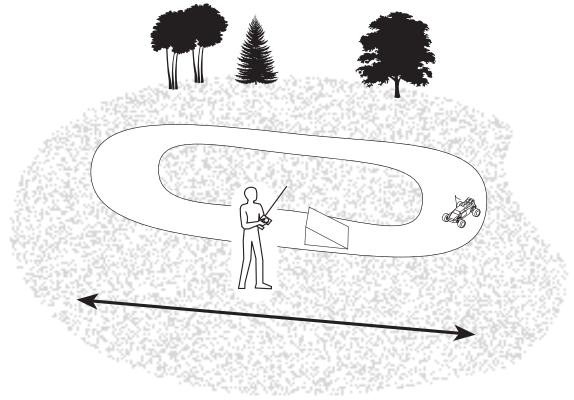
Steering Dual Rate

- If the vehicle turns too sharply and/or spins out easily, reduce the steering dual rate (turn the knob counterclockwise).
- For sharper or additional steering, increase the steering dual rate (turn the knob clockwise).

Throttle Operation

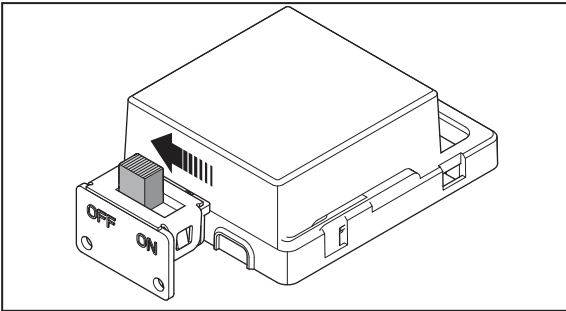
- Pull the transmitter trigger to increase throttle.
- Push the trigger to apply brake or reverse.

IMPORTANT: The slower the vehicle is moving, the quicker it will change from forward to reverse.

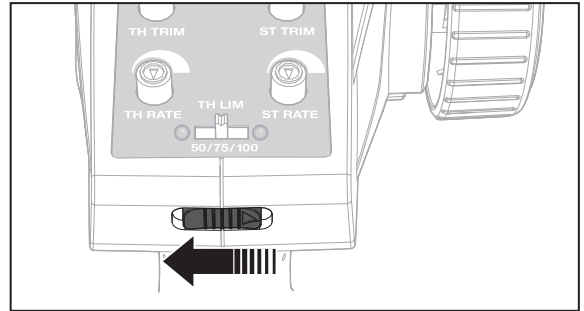


WHEN YOU ARE FINISHED

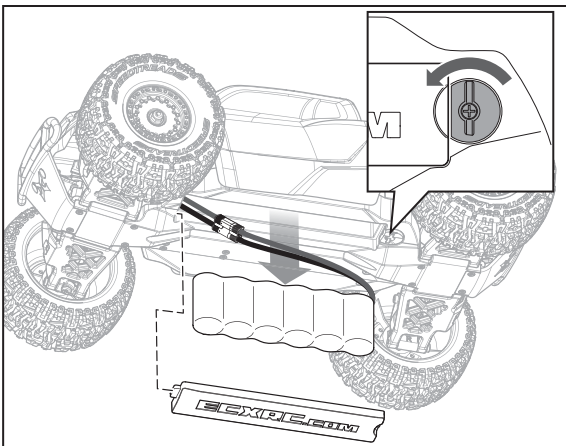
1. Power off the vehicle.



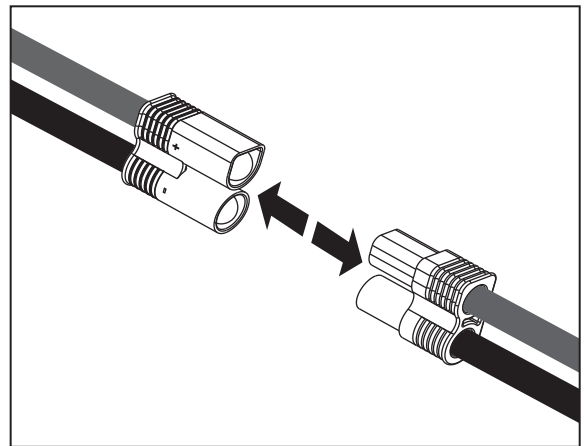
2. Power off the transmitter.



3. Remove the battery from the vehicle.



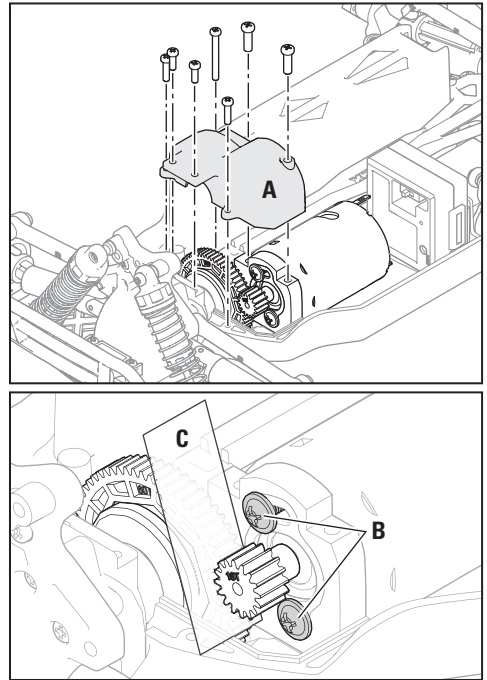
4. Disconnect the battery from the ESC/Receiver unit.



SETTING THE GEAR MESH

The gear mesh has already been set at the factory. Setting the gear mesh is only necessary when changing motors or gears. You must remove the vehicle's gear cover (A) to make this adjustment. Proper gear mesh (how the gear teeth meet) is important to the performance of the vehicle. When the gear mesh is too loose, the spur gear could be damaged by the pinion gear of the motor. If the mesh is too tight, speed could be limited and the motor and ESC will overheat. Set the gear mesh by following these simple steps:

1. Remove 7 screws to remove the gear cover (A).
2. Loosen the 2 motor screws (B).
3. Put a small piece of paper (C) between the pinion and spur gears.
4. Push the gears together while tightening the motor screws.
5. Rotate the gears to remove the paper. The gearing should move a small amount.
6. Reinstall the gear cover.



INITIAL SETUP

MOTOR CARE

- Seat the motor brushes by driving smoothly on a flat surface during use of the first battery charge.
- Prolong motor life by preventing overheating conditions. Undue motor wear results from frequent turns, stops and starts, pushing objects, driving in deep sand and tall grass, and driving continuously up hill. Not allowing motor to cool between runs can quickly diminish the performance of your vehicle. Allow adequate time for motor to cool to ambient temperature between runs for best vehicle performance.
- Over-temperature protection is installed on the ESC to prevent circuit damage, but cannot protect the motor from driving against heavy resistance.

RIDE HEIGHT ADJUSTMENT

Ride height is an adjustment that affects the way the vehicle jumps, turns and goes over bumps. Drop one end of the vehicle from approximately 3 inches (75 mm) in height onto a flat surface. When dropping the front of the vehicle, after the vehicle settles, make sure the front arms are equal and parallel to the flat surface. Do the same with the rear to make sure both arms are parallel with the flat surface. To adjust your ride height, either add or remove spring clips to achieve the desired ride height.

Lower the front ride height to increase steering. Lower the rear ride height to increase traction but decrease steering.

BINDING

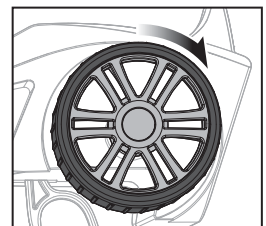
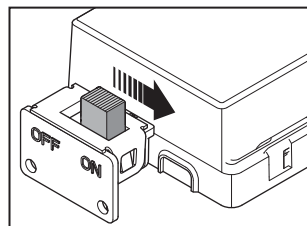
FAILSAFE

In the unlikely event that the radio connection is lost during use (possibly due to low transmitter batteries or distance between the receiver and transmitter), the receiver will hold the steering at the last command with no throttle.

If the receiver is powered on before powering on the transmitter, the receiver will enter this failsafe mode. When the transmitter is powered on, normal control is resumed.

Binding is the process of programming the receiver to recognize the GUID (Globally Unique Identifier) code of a single specific transmitter. The included transmitter and receiver are bound at the factory. If you need to rebind, follow the instructions below.

1. Power OFF the ESC/Receiver and transmitter.
2. Connect a fully charged battery to the ESC/Receiver.
3. Power on the ESC/Receiver. It will beep once and the LED will flash rapidly, indicating it is in bind mode.
4. To put the STX2 transmitter into bind mode, hold the steering wheel fully to the right while powering on the transmitter.



Release the steering wheel after 2 seconds.

5. The LED on the ESC/Receiver will go solid and the ESC/Receiver will make a rising tone, indicating the bind is successful. You must rebind when binding the receiver to a different transmitter.

NOTICE: Do not attempt to bind the transmitter and receiver if there are other compatible transmitters in bind mode within 400 feet. Doing so may result in unexpected binding.

MAINTENANCE

Your ECX 1:18 Ruckus 4WD Monster Truck needs periodic maintenance and cleaning to keep performing at its optimal level.

After each run:

1. Look over your vehicle to make sure there is no physical damage that can impede the operation of your vehicle, such as broken parts or tires that may have come unglued and need repair.
2. If there are no defects or broken parts that need to be repaired, completely wipe down the vehicle and body using paper towels or shop towels. In hard to reach places, use a toothbrush or a small brush to remove dirt or debris out of the small areas that cannot be removed with a towel.
3. Screws can come loose over time and need to be retightened. For screws fastening into plastic parts, make sure they fit snugly but are not over tightened, which could cause the plastic to strip out.

4. If you plan to store your vehicle for more than a week, it is a good idea to remove the batteries from the radio and vehicle to prevent any unexpected damage, such as corrosion, that can result in costly repairs.

NOTICE: A small amount of current is constantly pulled from the battery when it is plugged in, even with the power switch turned to OFF. Always unplug your vehicle's battery from the ESC when not in use to prevent it from fully discharging.

5. Perform any other needed repairs to parts that may have broken off the chassis. Driving a damaged vehicle will result in costly and possibly irreparable damage to the vehicle.

TROUBLESHOOTING GUIDE

Problem	Possible Cause	Solution
Short Run Time	Vehicle batteries damaged/low voltage	Charge the vehicle battery pack
	Motor dirty or brushes worn	Check/clean/replace the motor
Sluggish Action	Motor dirty or brushes worn	Check/clean/replace the motor
	Bind in drivetrain	Clean/adjust the gear mesh between the spur and pinion gears
	Vehicle batteries have low voltage	Charge the vehicle battery pack
Controls Reversed	ST. REV or TH. REV	Change switch position on the transmitter
Motor/ESC overheat	Bind in drivetrain	Clean/adjust the gear mesh between the spur and pinion gears
Doesn't Operate	Transmitter batteries low	Replace/recharge
	Transmitter powered off	Power On
	ESC powered off	Power On
	AA batteries have low voltage	Charge or replace the vehicle battery pack
Poor Range	Transmitter batteries low	Replace/recharge
	Transmitter antenna is damaged or loose	Check/tighten
	Receiver antenna damaged	Check/repair/replace

LIMITED WARRANTY

What this Warranty Covers

Horizon Hobby, LLC (Horizon) warrants to the original purchaser that the product purchased (the "Product") will be free from defects in materials and workmanship at the date of purchase.

What is Not Covered

This warranty is not transferable and does not cover (i) cosmetic damage, (ii) damage due to acts of God, accident, misuse, abuse, negligence, commercial use, or due to improper use, installation, operation or maintenance, (iii) modification of or to any part of the Product, (iv) attempted service by anyone other than a Horizon Hobby authorized service center, (v) Product not purchased from an authorized Horizon dealer, or (vi) Product not compliant with applicable technical regulations, or (vii) use that violates any applicable laws, rules, or regulations.

OTHER THAN THE EXPRESS WARRANTY ABOVE, HORIZON MAKES NO OTHER WARRANTY OR REPRESENTATION, AND HEREBY DISCLAIMS ANY AND ALL IMPLIED WARRANTIES, INCLUDING, WITHOUT LIMITATION, THE IMPLIED WARRANTIES OF NON-INFRINGEMENT, MERCHANTABILITY AND FITNESS FOR

A PARTICULAR PURPOSE. THE PURCHASER ACKNOWLEDGES THAT THEY ALONE HAVE DETERMINED THAT THE PRODUCT WILL SUITABLY MEET THE REQUIREMENTS OF THE PURCHASER'S INTENDED USE.

Purchaser's Remedy

Horizon's sole obligation and purchaser's sole and exclusive remedy shall be that Horizon will, at its option, either (i) service, or (ii) replace, any Product determined by Horizon to be defective. Horizon reserves the right to inspect any and all Product(s) involved in a warranty claim. Service or replacement decisions are at the sole discretion of Horizon. Proof of purchase is required for all warranty claims. SERVICE OR REPLACEMENT AS PROVIDED UNDER THIS WARRANTY IS THE PURCHASER'S SOLE AND EXCLUSIVE REMEDY.

Limitation of Liability

HORIZON SHALL NOT BE LIABLE FOR SPECIAL, INDIRECT, INCIDENTAL OR CONSEQUENTIAL DAMAGES, LOSS OF PROFITS OR PRODUCTION OR COMMERCIAL LOSS IN ANY WAY, REGARDLESS OF WHETHER SUCH CLAIM IS BASED IN

CONTRACT, WARRANTY, TORT, NEGLIGENCE, STRICT LIABILITY OR ANY OTHER THEORY OF LIABILITY, EVEN IF HORIZON HAS BEEN ADVISED OF THE POSSIBILITY OF SUCH DAMAGES. Further, in no event shall the liability of Horizon exceed the individual price of the Product on which liability is asserted. As Horizon has no control over use, setup, final assembly, modification or misuse, no liability shall be assumed nor accepted for any resulting damage or injury. By the act of use, setup or assembly, the user accepts all resulting liability. If you as the purchaser or user are not prepared to accept the liability associated with the use of the Product, purchaser is advised to return the Product immediately in new and unused condition to the place of purchase.

Law

These terms are governed by Illinois law (without regard to conflict of law principals). This warranty gives you specific legal rights, and you may also have other rights which vary from state to state. Horizon reserves the right to change or modify this warranty at any time without notice.

WARRANTY SERVICES

Questions, Assistance, and Services

Your local hobby store and/or place of purchase cannot provide warranty support or service. Once assembly, setup or use of the Product has been started, you must contact your local distributor or Horizon directly. This will enable Horizon to better answer your questions and service you in the event that you may need any assistance. For questions or assistance, please visit our website at www.horizonhobby.com, submit a Product Support Inquiry, or call the toll free telephone number referenced in the Warranty and Service Contact Information section to speak with a Product Support representative.

Inspection or Services

If this Product needs to be inspected or serviced and is compliant in the country you live and use the Product in, please use the Horizon Online Service Request submission process found on our website or call Horizon to obtain a Return Merchandise Authorization (RMA) number. Pack the Product securely using a shipping carton. Please note that original boxes may be included, but are not designed to withstand the rigors of shipping without additional protection. Ship via a carrier that provides tracking and insurance for lost or damaged parcels, as Horizon is not responsible for merchandise until it arrives and is accepted at our facility. An Online Service Request is available at http://www.horizonhobby.com/content/_service-center_render-service-center. If you do not have internet access, please contact Horizon

Product Support to obtain a RMA number along with instructions for submitting your product for service. When calling Horizon, you will be asked to provide your complete name, street address, email address and phone number where you can be reached during business hours. When sending product into Horizon, please include your RMA number, a list of the included items, and a brief summary of the problem. A copy of your original sales receipt must be included for warranty consideration. Be sure your name, address, and RMA number are clearly written on the outside of the shipping carton.

NOTICE: Do not ship LiPo batteries to Horizon. If you have any issue with a LiPo battery, please contact the appropriate Horizon Product Support office.

Warranty Requirements

For Warranty consideration, you must include your original sales receipt verifying the proof-of-purchase date.

Provided warranty conditions have been met, your Product will be serviced or replaced free of charge. Service or replacement decisions are at the sole discretion of Horizon.

Non-Warranty Service

Should your service not be covered by warranty, service will be completed and payment will be required without notification or estimate of the expense unless the expense exceeds 50% of the retail purchase cost.

By submitting the item for service you are agreeing to payment of the service without notification. Service estimates are available upon request. You must include this request with your item submitted for service. Non-warranty service estimates will be billed a minimum of ½ hour of labor. In addition you will be billed for return freight. Horizon accepts money orders and cashier's checks, as well as Visa, MasterCard, American Express, and Discover cards. By submitting any item to Horizon for service, you are agreeing to Horizon's Terms and Conditions found on our website http://www.horizonhobby.com/content/_service-center_render-service-center.

ATTENTION: Horizon service is limited to Product compliant in the country of use and ownership. If received, a non-compliant Product will not be serviced. Further, the sender will be responsible for arranging return shipment of the un-serviced Product, through a carrier of the sender's choice and at the sender's expense. Horizon will hold non-compliant Product for a period of 60 days from notification, after which it will be discarded.

10/2015

WARRANTY AND SERVICE CONTACT INFORMATION

Country of Purchase	Horizon Hobby	Contact Information	Address
United States of America	Horizon Service Center (Repairs and Repair Requests)	servicecenter.horizonhobby.com/RequestForm/	1608 Interstate Drive Champaign, Illinois, 61822 USA
	Horizon Product Support (Product Technical Assistance)	productsupport@horizonhobby.com 877-504-0233	
	Sales	websales@horizonhobby.com 877-504-0233	
European Union	Horizon Technischer Service	service@horizonhobby.eu	Hanskampring 9 D 22885 Barsbüttel, Germany
	Sales: Horizon Hobby GmbH	+49 (0) 4121 2655 100	

FCC INFORMATION

FCC ID: 2AI3D-SS0001

This device complies with part 15 of the FCC rules. Operation is subject to the following two conditions: (1) This device may not cause harmful interference, and (2) this device must accept any interference received, including interference that may cause undesired operation.



CAUTION: Changes or modifications not expressly approved by the party responsible for compliance could void the user's authority to operate the equipment.

This product contains a radio transmitter with wireless technology which has been tested and found to be compliant with the applicable regulations governing a radio transmitter in the 2.400GHz to 2.4835GHz frequency range.

IC INFORMATION

IC: 21682-SSTC9202

This device complies with Industry Canada licence-exempt RSS standard(s). Operation is subject to the following two conditions: (1) this device may not cause interference, and (2) this device must accept any interference, including interference that may cause undesired operation of the device.

COMPLIANCE INFORMATION FOR THE EUROPEAN UNION

EU COMPLIANCE STATEMENT



Horizon Hobby, LLC hereby declares that this product is in compliance with the essential requirements and other relevant provisions of the RED, EMC and LVD Directives.

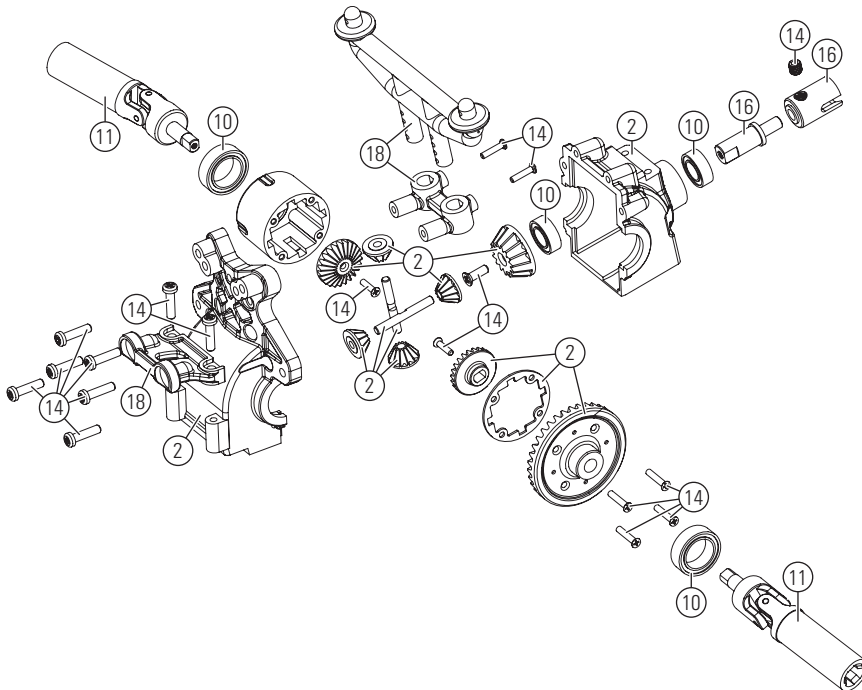
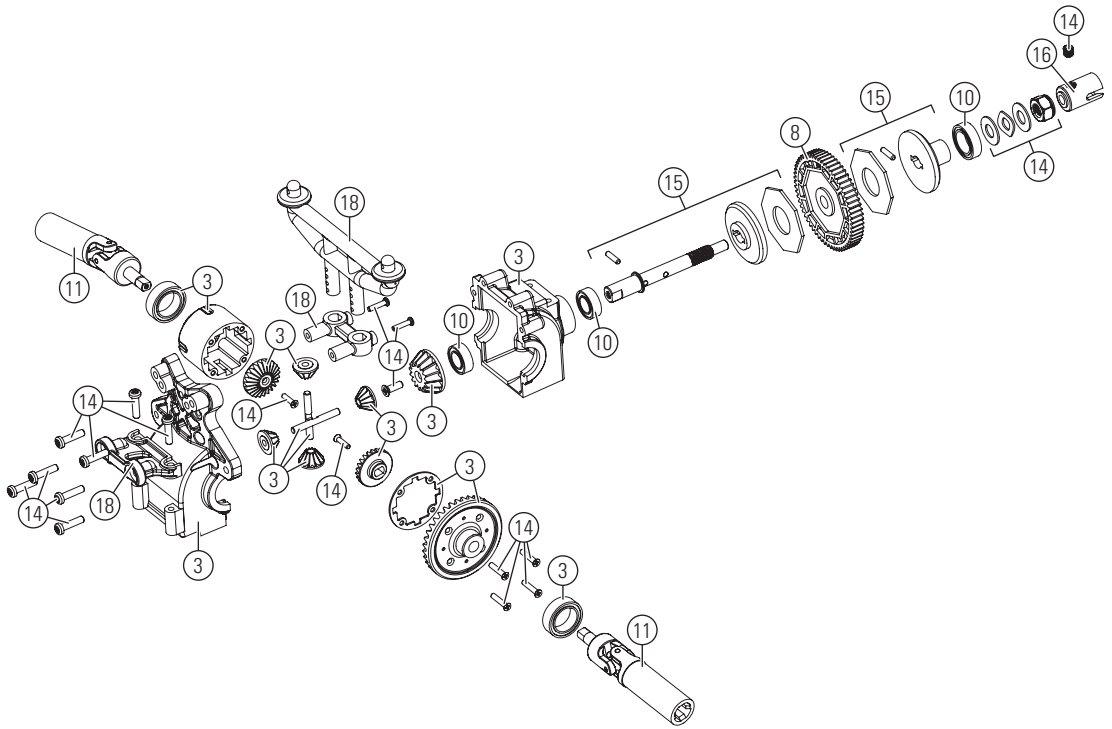
A copy of the EU Declaration of Conformity is available online at:
<http://www.horizonhobby.com/content/support-render-compliance>.

Instructions for disposal of WEEE by users in the European Union

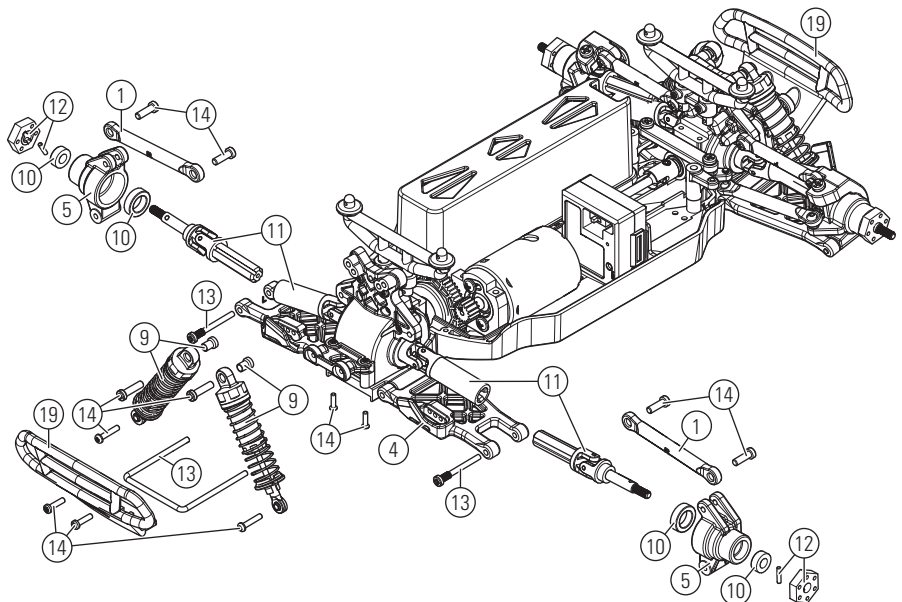
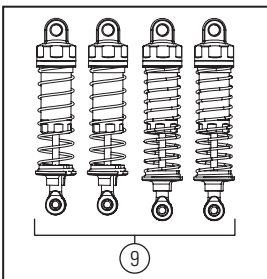
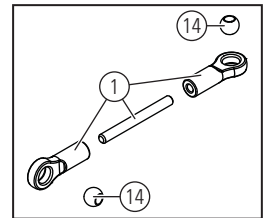
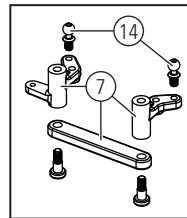
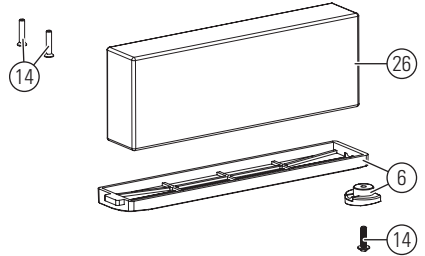
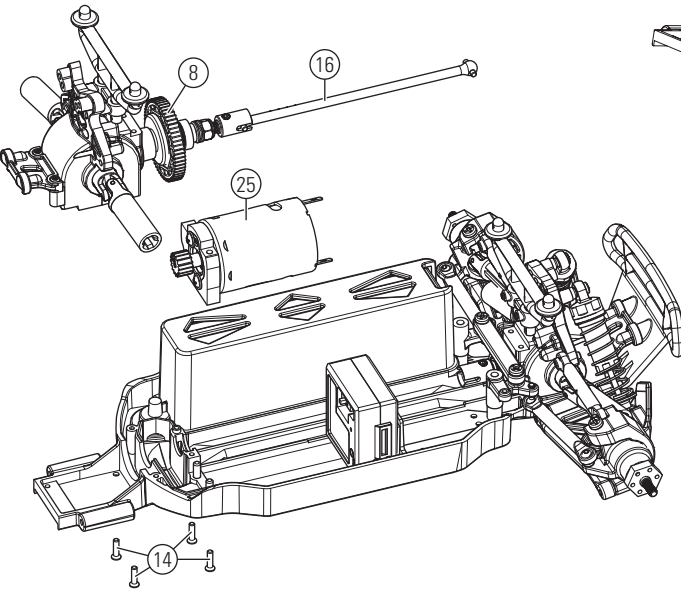
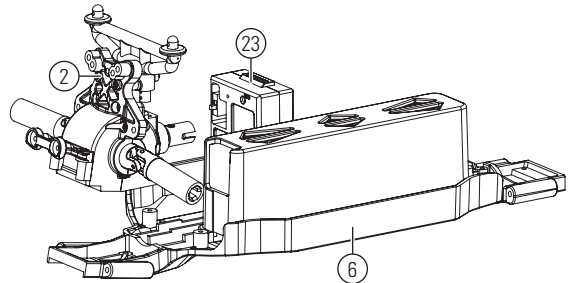
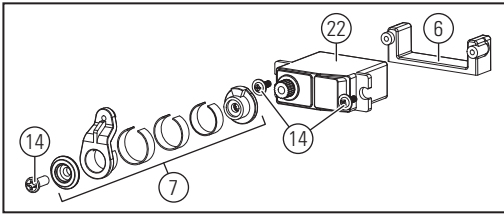


This product must not be disposed of with other waste. Instead, it is the user's responsibility to dispose of their waste equipment by handing it over to a designated collections point for the recycling of waste electrical and electronic equipment. The separate collection and recycling of your waste equipment at the time of disposal will help to conserve natural resources and ensure that it is recycled in a manner that protects human health and the environment. For more information about where you can drop off your waste equipment for recycling, please contact your local city office, your household waste disposal service or where you purchased the product.

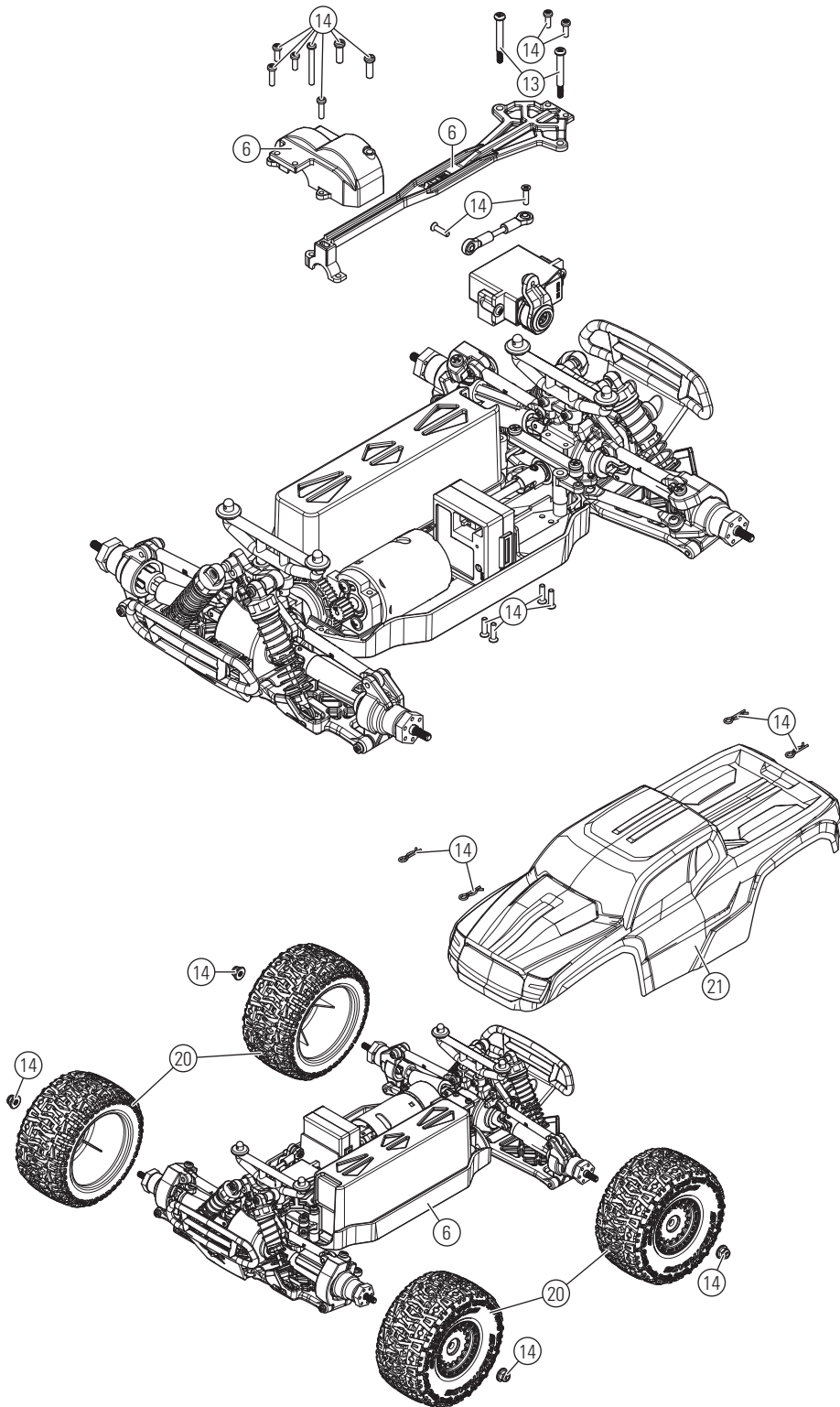
PARTS DIAGRAM | EXPLOSIONSZEICHNUNG | VUE ÉCLATÉE DES PIÈCES |
ESPLOSO DEL MODELLO CON REFERENZA PEZZI



**PARTS DIAGRAM | EXPLOSIONSZEICHNUNG | VUE ÉCLATÉE DES PIÈCES |
ESPLOSO DEL MODELLO CON REFERENZA PEZZI**



PARTS DIAGRAM | EXPLOSIONSZEICHNUNG | VUE ÉCLATÉE DES PIÈCES |
ESPLOSO DEL MODELLO CON REFERENZA PEZZI



PARTS LIST | TEILELISTE | PIÈCES DE RECHANGE | ELENCO DELLE PARTI

#	Description	Beschreibung	Description	Descrizione
1	ECX214002	Link Set: 1:18 4WD All	ECX 1:18 Kunststoff Anlenkset	Set de biellettes Set collegamenti: 1:18 4WD tutti
2	ECX212000	Front Transmission, Assembled: 1:18 4WD All	ECX 1:18 Getriebe montiert vorne	Différentiel avant assemblé avec carter Trasmissione anteriore assemblata: 1:18 4WD tutti
3	ECX212001	Rear Transmission, Assembled : 1:18 4WD All	ECX 1:18 Getriebe montiert hinten	Différentiel arrière assemblé avec carter Trasmissione posteriore assemblata: 1:18 4WD tutti
4	ECX214000	Suspension Arm Set: 1:18 4WD All	ECX 1:18 Querlenker Set	Set de triangles de suspension Set bracci sospensione: 1:18 4WD tutti
5	ECX214001	Spindle, Hub & Carrier Set: 1:18 4WD All	ECX 1:18 Achschenkel und Halter Set	Set de fusées et étriers porte fusées Set fuso, mozzo e supporto: 1:18 4WD tutti
6	ECX211001	Chassis Set: 1:18 4WD All	ECX 1:18 Chassis Set	Châssis et renfort Set telaio: 1:18 4WD tutti
7	ECX214003	Servo Saver Set: 1:18 4WD All	ECX 1:18 Servo Saver und Lenzubehör	Sauve servo Set salva servo: 1:18 4WD tutti
8	ECX212002	Pinion & Spur Gear Set: 1:18 4WD All	ECX 1:18 Ritzel und Hauptzahnrad	Pignon et couronne Set pignone e corona: 1:18 4WD tutti
9	ECX213000	Complete Shock Set: 1:18 4WD All	ECX 1:18 Dämpfer Set	Set d'amortisseurs Set completo ammortizzatori: 1:18 4WD tutti
10	ECX217000	Complete Bearing & Bushing Set: 1:18 4WD All	ECX 1:18 Kugellagersatz	Set de roulements et paliers Set completo di cuscinetti e bronzine: 1:18 4WD tutti
11	ECX212003	Complete Driveshaft Set: 1:18 4WD All	ECX 1:18 Antriebsachsen Set	Set de cardans Set completo trasmissione: 1:18 4WD tutti
12	ECX212004	Wheel Hex Set: 1:18 4WD All	ECX 1:18 Mitnehmer Set	Set d'hexagones de roues Set esagoni ruote: 1:18 4WD tutti
13	ECX216000	Hingepin Set: 1:18 4WD All	ECX 1:18 Hingepin Set	Set d'axes de suspension Set perni cerniere: 1:18 4WD tutti
14	ECX216001	Complete Hardware Set: 1:18 4WD All	ECX 1:18 Zubehörset	Set de visserie Set completo viteria: 1:18 4WD tutti
15	ECX212005	Slipper Assembly: 1:18 4WD All	ECX 1:18 Slipper montiert	Slipper complet Gruppo antisaltellamento: 1:18 4WD tutti
16	ECX212006	Center Driveshaft Assembly: 1:18 4WD All	ECX 1:18 Antriebswelle Mitte montiert	Cardan central complet Gruppo trasmissione centrale: 1:18 4WD tutti
17	ECX212007	Motor Mount: 1:18 4WD All	ECX 1:18 Motorhalter	Support moteur Supporto motore: 1:18 4WD tutti
18	ECX211004	Body Mount Set: 1:18 4WD All	ECX 1:18 Karosseriebefestigungs Set	Support de carrosserie Set supporto carrozzeria: 1:18 4WD tutti
19	ECX211000	Bumper Set: 1:18 4WD Ruckus	ECX Ruckus 1:18 4WD Stoßfänger Set Vorne/ Hinten	Set de pare-chocs Set paraurti: 1:18 4WD Ruckus
20	ECX41000	FF/RR Premount Tire: 1:18 4WD Ruckus	ECX Mini Ruckus Reifensatz Vorne/ Hinten verklebt	Pneus prémontés sur jantes Av/arr FF/RR premontaggio gomme: 1:18 4WD Ruckus
21	ECX210000/ ECX210004	Body Set, Decorated, Black/ Red: 1:18 4WD Ruckus / Body Set, Decorated, Orange/ Yellow: 1:18 4WD Ruckus	Karoserieset schwarz/rot, gestickert 1:18 4WD Ruckus/ Karoserieset gelb/orange, gestickert 1:18 4WD Ruckus	1:18 4WD Ruckus – Carrosserie décorée Noire/Rouge / 1:18 4WD Ruckus – Carrosserie décorée Orange/Jaune Set carrozzeria, colorato, Nero/Rosso: 1:18 4WD Ruckus/ Set carrozzeria, colorato, arancione/giallo: 1:18 4WD Ruckus
22	SPMS401	Mini Servo	Mini Servo	Mini servo Mini Servo
23	SPMSRX210	2-in-1 ESC/Receiver, 2 channel, 2.4GHz, WP	2-in-1 ESC / Empfänger, 2 Kanäle, 2,4 GHz, wasserdicht	ESC / récepteur 2-en-1, 2 canaux, 2,4 GHz, étanche ESC / ricevitore 2 in 1, 2 canali, 2,4 GHz, impermeabile
24	SPMRSTX200	STX2 2 channel 2.4GHz FHSS Transmitter	Spektrum 2-Kanal 2,4 GHz FHSS Sender	Émetteur FHSS 2,4 GHz 2 canaux Spektrum Trasmettitore Spektrum 2 canali 2,4 GHz FHSS
25	DYNS1210	Tazer™ 380 Motor	Tazer 380 Motor	Moteur Tazer 380 Motore Tazer 380
26	DYN1473	7.2V 1200mAh Ni-MH Battery, EC3	7.2V 1200mAh Ni-MH Akku, EC3	Batterie Ni-Mh 7.2V 1200mA, prise EC3 Batteria 7.2V 1200mAh Ni-MH, EC3
27	DYNC2000CA	Prophet Sport NiMH 35W AC Charger	Prophet Sport NiMH 35W AC Ladegerät	Chargeur Prophet Sport NiMH 35W AC Prophet Sport NiMH 35W Caricabatteria AC



ECX01000T1 | ECX01000AUT1 | ECX01000IT1
ECX01000T2 | ECX01000AUT2 | ECX01000IT2

www.ecxrc.com



© 2018 Horizon Hobby, LLC. ECX, the ECX logo, Ruckus, Tazer, EC3 and the Horizon Hobby logo are trademarks or registered trademarks of Horizon Hobby, LLC.

Revised 04/2018

34838.4