

 **BLADE**®

NANO S3

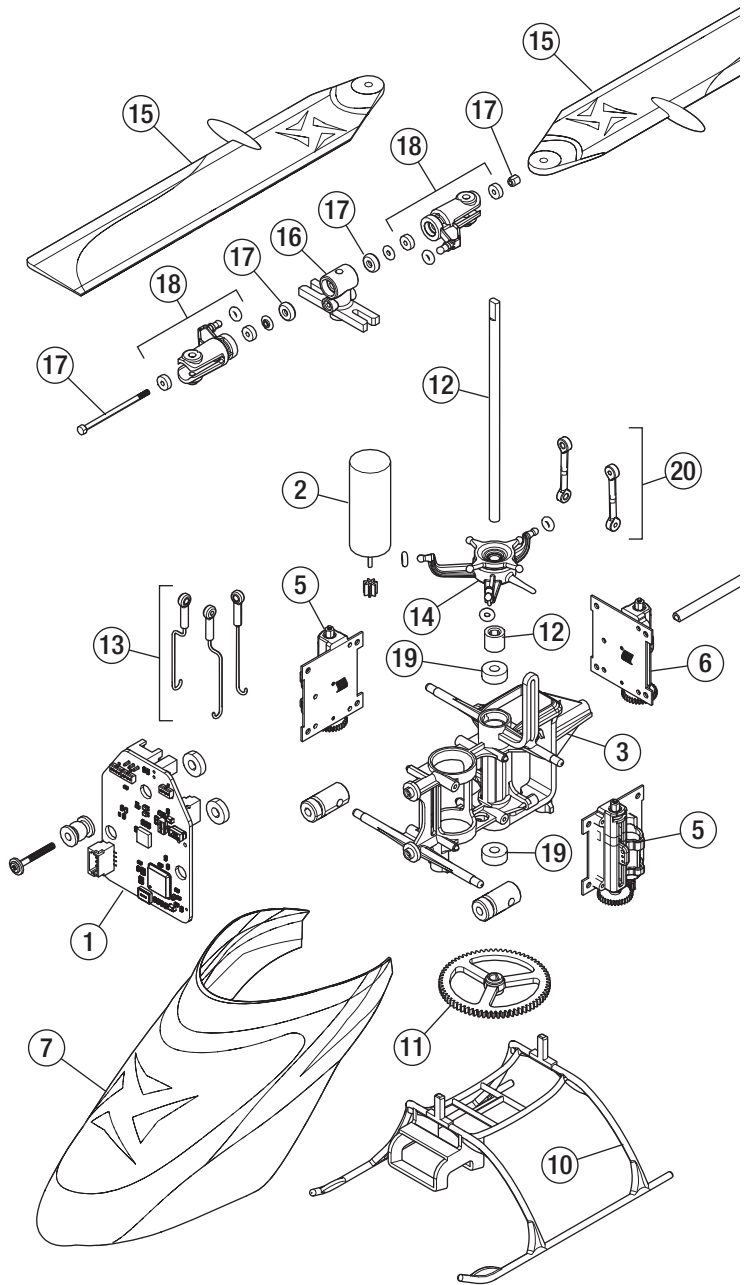


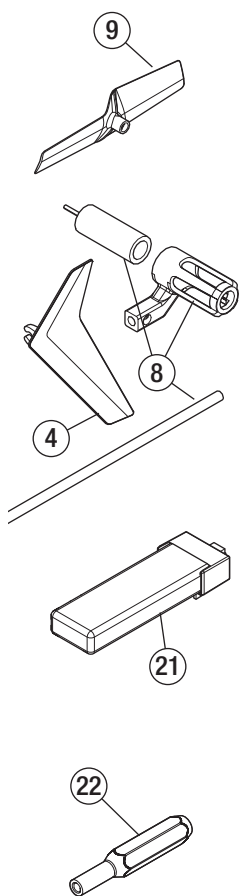
Instruction Manual
Bedienungsanleitung
Manuel d'utilisation
Manuale di istruzioni

SAFE®  **RTF** 

HORIZON®
H O B B Y

Exploded View and Parts Listings





	Part #	Description
1	BLH01301	Flight Control: Nano S3
2	BLH2402	nCP S Main motor
3	BLH1302	Nano S2 Main plastic frame
4	BLH1304	Nano S2 Tail Fin
5	SPMSH2027L	DSV40LBC-35 Servo *1
6	SPMSH2028L	DSV40LBC-50 Servo *1
7	BLH1303	Nano S2 Canopy
8	BLH3302	Nano CP X Tail Boom and Motor
9	BLH3603	Tail Rotor
10	EFLH3004	Landing Skid & Battery mount
11	BLH3306	Main Gear
12	BLH3307	Carbon Fiber Main Shaft with Collar & Hardware
13	BLH3308	Servo Pushrod set with Ball Links
14	BLH3309	Complete Precision Swashplate
15	BLH1305	Main Rotor Blade Set: Nano S2
16	BLH3312	Main Rotor Hub with Hardware
17	BLH3313	Feathering Spindle with O-rings and Hardware
18	BLH3314	Main Blade Grips with Bearings
19	BLH3315	2 x 5 x 2 Bearings (2)
20	BLH3322	Rotor Head Linkage Set (4)
21	EFLB1501S45	1-Cell 3.7v 45C LiPo Battery
22	BLH3324	Spindle Tool Set
	BLH3323	Hardware Set
	EFLC1008	1s USB LiPo charger, 300mAh
	SPM6836	Replacement Servo Mechanics
	SPMRMLP6	MLP6DSM SAFE 6CH TX Mode 2
	BLH3021	Canopy Mounting Grommets (8)
	BLH2507	Bearing m2.5x6x1.8 Apache AH-64
	BLH2508	Bearing m2.5x6x2.5 Apache AH-64

Optional Parts

Part #	Description
SPMR6775	NX6 DSMX 6-Channel Transmitter Only
SPMR8200	NX8 DSMX 8-Channel Transmitter Only
SPMR10100	NX10 DSMX 10-Channel Transmitter Only
SPMR12000	IX12 DSMX 12-Channel Transmitter Only
SPMR20100	IX20 DSMX 20-Channel Transmitter Only
EFLB1501S45	1-Cell 3.7v 45C LiPo Battery
SPMXC1060	S63 Micro 6-port DC/USB 1S LiPo Smart Charger
SPMXC1040	S44 Micro 4-port AC/DC 1S LiPo Smart Charger

Compliance Information for the European Union



EU Compliance Statement:
Blade Nano S3 RTF/BNF (BLH01301/BLH01350);

Hereby, Horizon Hobby, LLC declares that the device is in compliance with the following: EU Radio Equipment Directive 2014/53/EU; RoHS 2 Directive 2011/65/EU; RoHS 3 Directive - Amending 2011/65/EU Annex II 2015/863.

The full text of the EU declaration of conformity is available at the following internet address: <https://www.horizonhobby.com/content/support-render-compliance>.

Blade Nano S3 RTF (BLH01301)

NOTE: This product contains batteries that are covered under the 2006/66/EC European Directive, which cannot be disposed of with normal household waste. Please follow local regulations.

Spektrum MLP6 Wireless Frequency Range and Wireless Output Power:

2404 – 2476 MHz
1.43 dBm

Blade Nano S3 Helicopter Frequency Range and Wireless Output Power:

2404 – 2476 MHz
1.43 dBm

EU Manufacturer of Record:

Horizon Hobby, LLC
2904 Research Road
Champaign, IL 61822 USA

EU Importer of Record:

Horizon Hobby, GmbH
Hanskampring 9
22885 Barsbüttel Germany

WEEE NOTICE:



This appliance is labeled in accordance with European Directive 2012/19/EU concerning waste of electrical and electronic equipment (WEEE). This label indicates that this product should not be disposed of with household waste. It should be deposited at an appropriate facility to enable recovery and recycling.



©2021 Horizon Hobby, LLC.

Blade, the Blade logo, E-flite, the BNF logo, DSM, DSM2, DSMX, Safe, the SAFE logo, ModelMatch and the Horizon Hobby logo are trademarks or registered trademarks of Horizon Hobby, LLC.

The Spektrum trademark is used with permission of Bachmann Industries, Inc.

All other trademarks, service marks and logos are property of their respective owners.

US 9,930,567. US 10,419,970.

Created 12/20

49957

BLH01301 / BLH01350