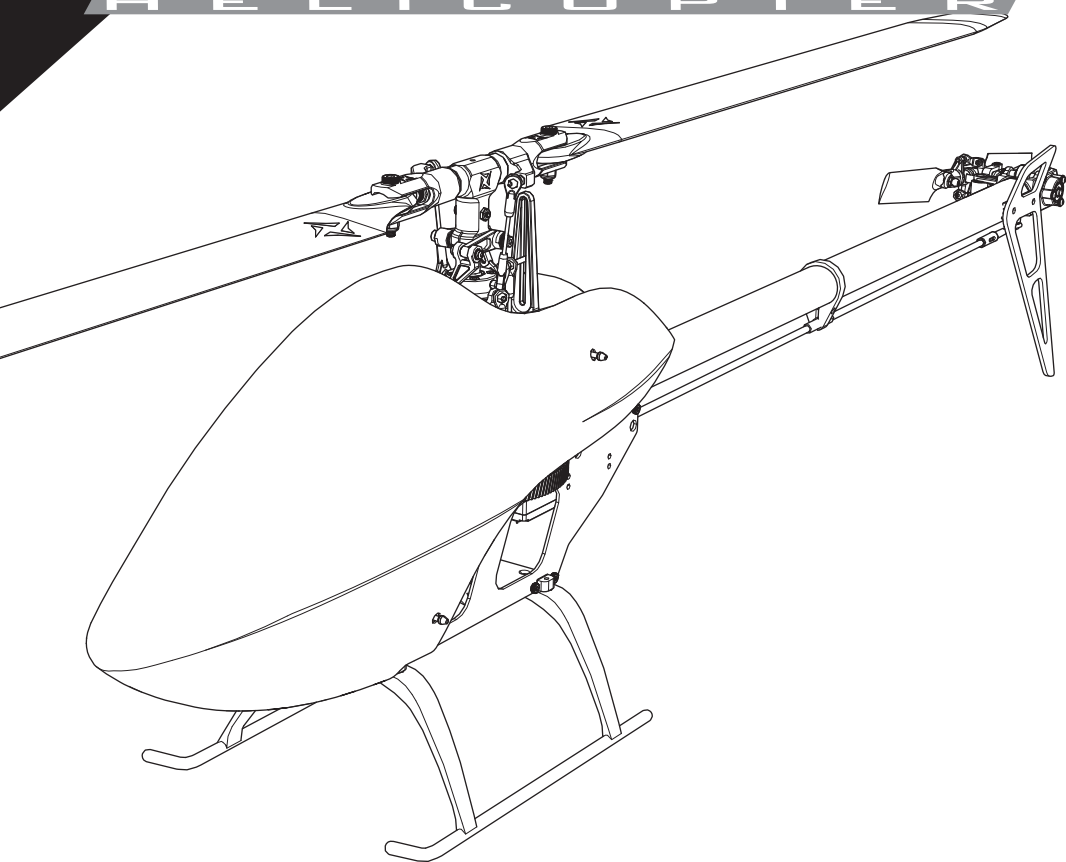


BLADE

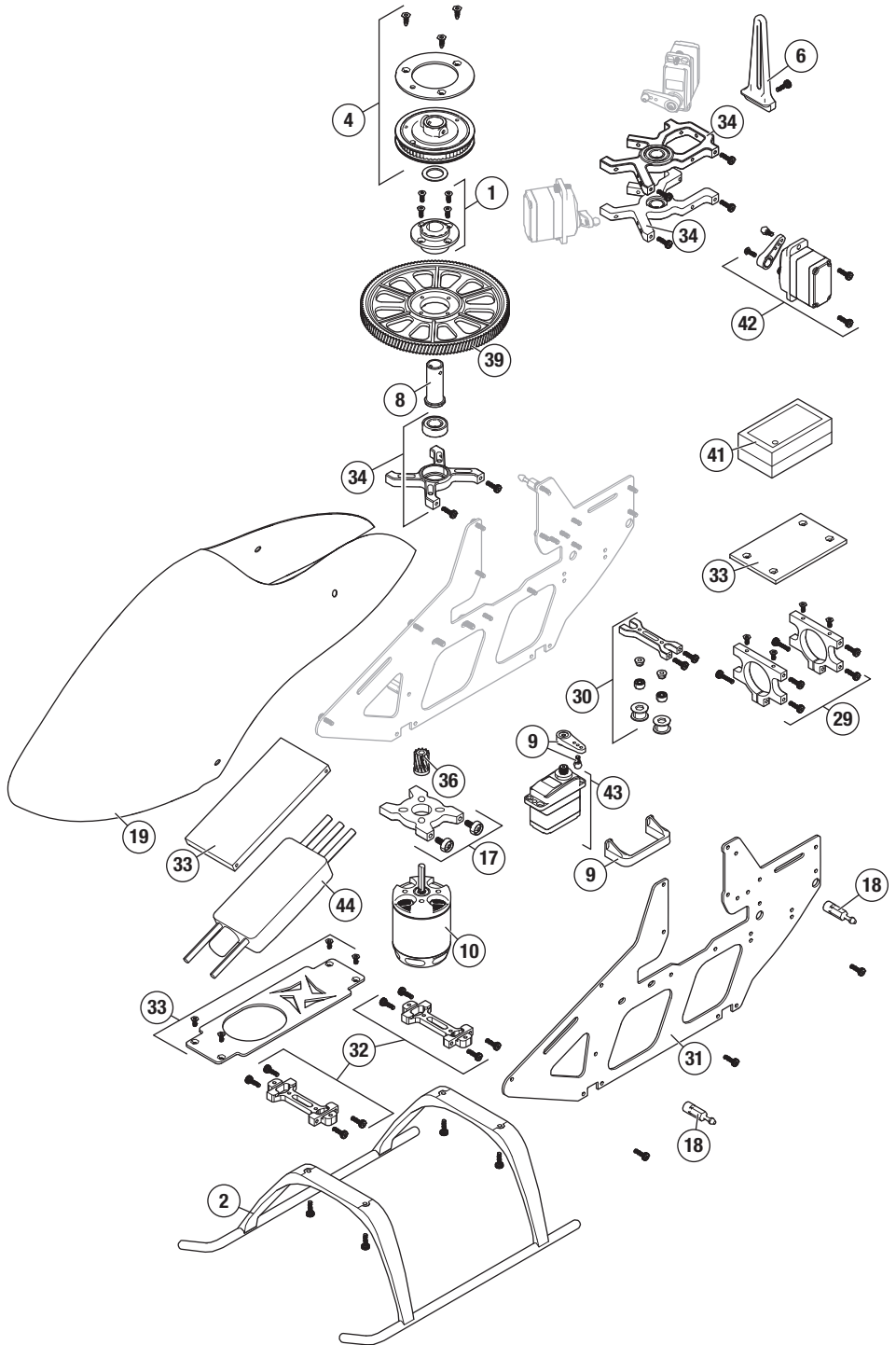
Fusion[™] 360 SMART HELICOPTER

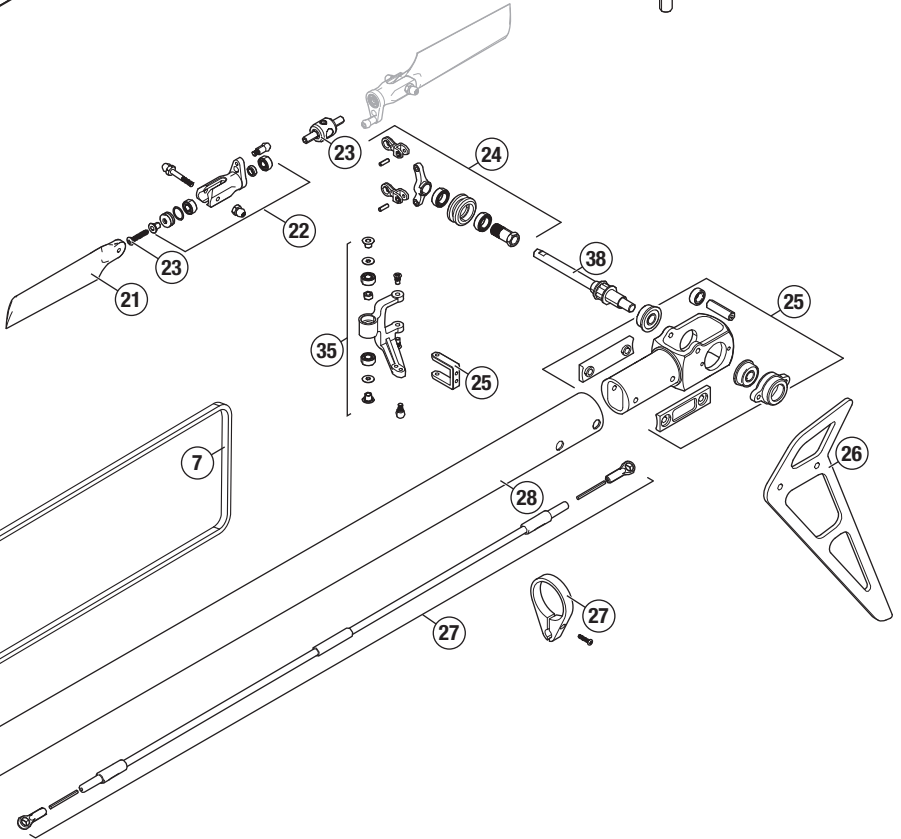
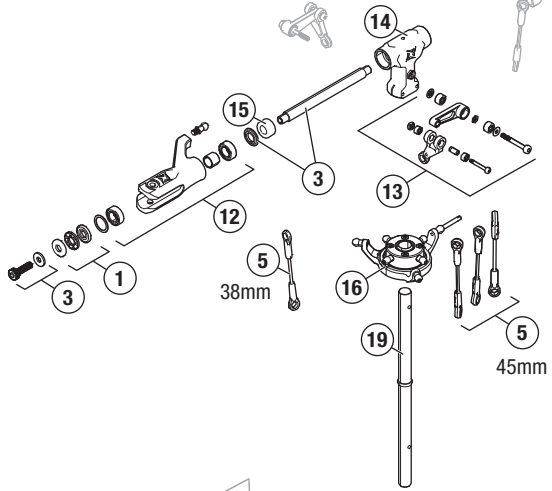
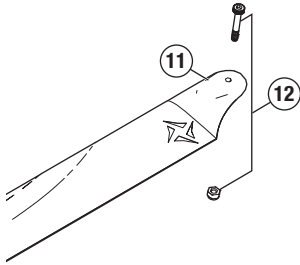
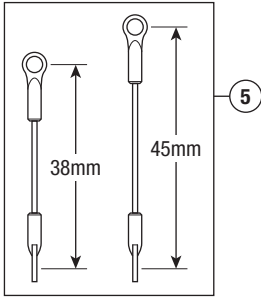


**Instruction Manual
Bedienungsanleitung
Manuel d'utilisation
Manuale di Istruzioni**

HORIZON[®]
H O B B Y

Exploded View





Parts List

#	Part #	Description
1	BLH1620	3x8x3.5 Thrust Bearing (2)
2	BLH1645	Landing Gear Set: B450
3	BLH4705	Spindle Set (2): 360 CFX
4	BLH4710	Belt Drive Puller: 360 CFX
5	BLH4720	Linkage Set: 360 CFX
6	BLH4721	Anti-Rotation Bracket: 360 CFX
7	BLH4728	Tail Drive Belt: 360 CFX
8	BLH4735	one way brng shaft Blade 360 CF
9	BLH4831	Srvo arm/link ball:270 CFX FS270
10	BLH5051	Brushless Out-Runner Motor 3400Kv
11	BLH5201	Fusion 350mm Main Blade
12	BLH5202	Main Grip Set (2): Fusion 360
13	BLH5203	Washout Mixing Arms: Fusion 360
14	BLH5204	Main Rotor Headblock: Fusion 36
15	BLH5205	Damper Set (2) 90 : Fusion 360
16	BLH5206	Swashplate: Fusion 360
17	BLH5207	Motor Mount: Fusion 360
18	BLH5208	Body Post Mounts (4): Fusion 36
19	BLH5209	Fusion 360 Painted Canopy
20	BLH5210	Main Shaft: Fusion 360
21	BLH5211	Fusion 65mm Tail Blade Set
22	BLH5212	AL Tail Grip Set: Fusion 360

#	Part #	Description
23	BLH5213	Tail Rotor Hub: Fusion 360
24	BLH5214	Tail Pitch Slider: Fusion 360
25	BLH5215	Rear Tail Case: Fusion 360
26	BLH5216	Vertical Tail Fin: Fusion 360
27	BLH5217	Tail Rotor Pushrod: Fusion 360
28	BLH5218	Tail Boom Set (2): Fusion 360
29	BLH5219	Tail Boom Clamp (2): Fusion 360
30	BLH5220	Tail Belt Guide: Fusion 360
31	BLH5221	Frame (1): Fusion 360
32	BLH5222	Gear Mount (2): Fusion 360
33	BLH5224	Carbon Plates: Fusion 360
34	BLH5225	Bear Block Set (3): Fusion 360
35	BLH5226	Tail Rotor Bellcrank: Fusion 360
36	BLH5231	11T Helical Steel Pinion
37	BLH5233	Plastic Tail Case: Fusion 360
38	BLH5336	Tailshaft CNC Fusion 270
39	BLH5337	Helical Main Gear, 135T
40	SPM4651T	SRXL2 Serial Telemetry Receiver
41	SPMFC6250HX	FC6250HX Helicopter FBL System
42	SPMSH3055	H3055 M-T / U-S MicroCyclicServ
43	SPMSH3065	H3065 M-T / U-S Micro Tail Serv
44	SPMXAE1045	Avian 45Amp Brushless Smart ESC 6S

Recommended Parts List

Part #	Description
SPMX22003S50	2200mAh 3S 11.1V Smart 50C; IC3

Optional Parts List

Part #	Description
SPMSP1040	Gear Set: H3050
SPMSP1041	Gear Set: H3060

Part #	Description
SPMSP2052	Case Set: H3050, H3060

Compliance Information for the European Union



EU Compliance Statement:

Blade Fusion 360 SMART BNF (BLH6150);

Hereby, Horizon Hobby, LLC declares that the device is in compliance with the

following: EU Radio Equipment Directive 2014/53/EU; RoHS 2 Directive 2011/65/EU; RoHS 3 Directive - Amending 2011/65/EU Annex II 2015/863.

The full text of the EU declaration of conformity is available at the following internet address: <https://www.horizonhobby.com/content/support-render-compliance>.

Wireless Frequency Range and Wireless Output Power:

Receiver

2402-2478 MHz

18.87dBm

EU Manufacturer of Record:

Horizon Hobby, LLC
2904 Research Road
Champaign, IL 61822 USA

EU Importer of Record:

Horizon Hobby, GmbH
Hanskampring 9
22885 Barsbüttel Germany

WEEE NOTICE:



This appliance is labeled in accordance with European Directive 2012/19/EU concerning waste of electrical and electronic equipment (WEEE). This label indicates that this product should not be disposed of with household waste. It should be deposited at an

appropriate facility to enable recovery and recycling.



E328



©2020 Horizon Hobby, LLC.

Blade, the Blade logo, Fusion, DSM, DSM2, DSMX, Bind-N-Fly, IC3, EC3, Spektrum AirWare, SAFE, BNF, the BNF logo, ModelMatch and the Horizon Hobby logo are trademarks or registered trademarks of Horizon Hobby, LLC.

The Spektrum trademark is used with permission of Bachmann Industries, Inc.

Futaba is a registered trademark of Futaba Denshi Kogyo Kabushiki Kaisha Corporation of Japan.

All other trademarks, service marks or logos are property of their respective owners.

US 8,672,726. US 9,930,567. US 10,419,970. US 10,849,013.

Created 12/20

BLH6150

140386