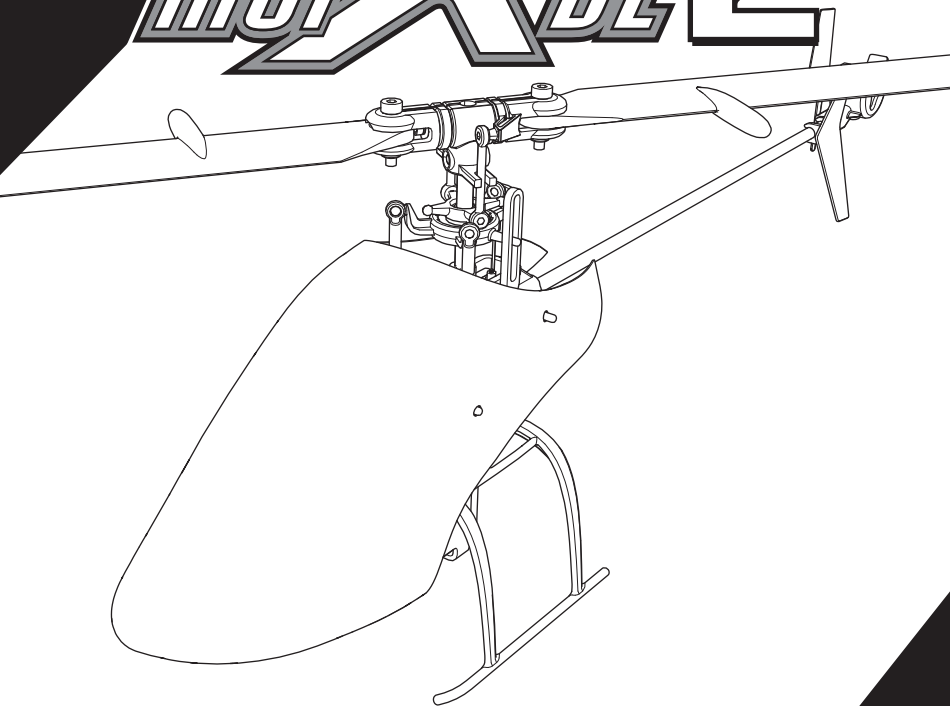


**X** BLADE®

# mCPX BL2



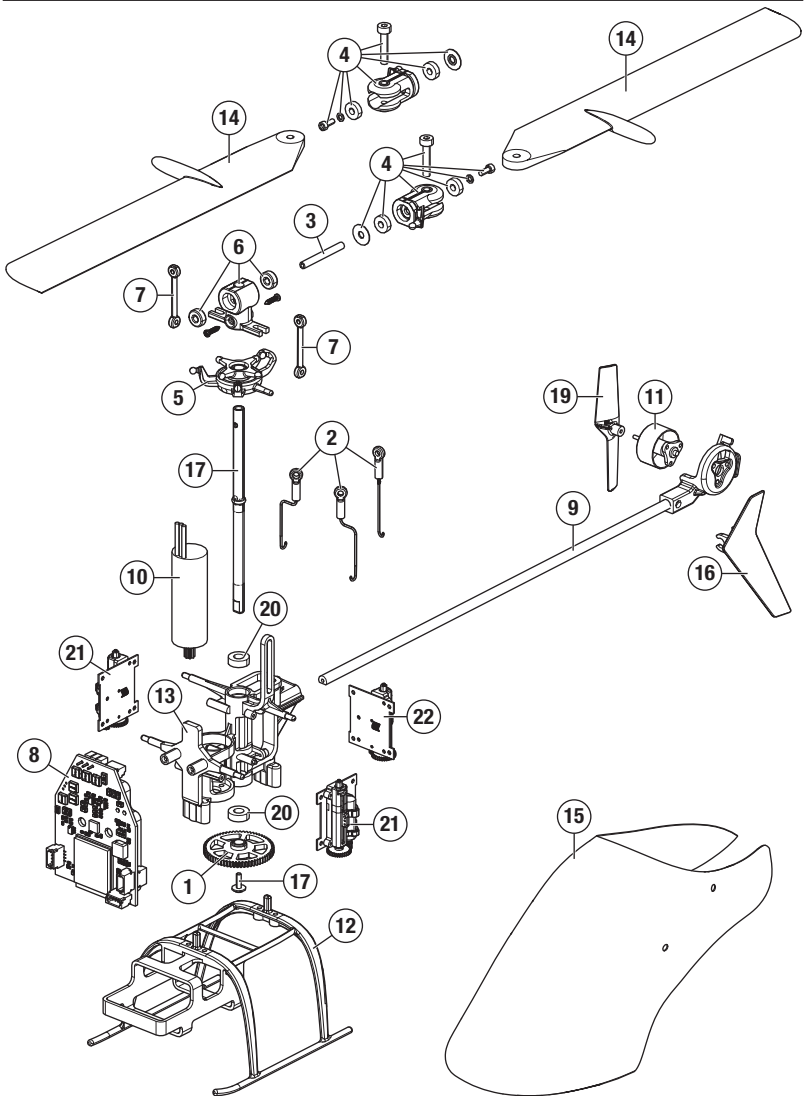
**Instruction Manual  
Bedienungsanleitung  
Manuel d'utilisation  
Manuale di istruzioni**

**SAFE**®

**BNF**

**HORIZON**®  
H O B B Y

## Exploded View



## Replacement Parts

	Part #	Description
1	BLH3506	Main Gear
2	BLH3508	Servo Pushrod Set
3	BLH3911	Feathering Spindle
4	BLH3912	Main Bld Grips
5	BLH3914	Complete Swashplate
6	BLH3915	Main Rtr Hub
7	BLH3916	Rtr Head Linkage (8)
8	BLH6001	FBL Control Unit w/ RX
9	BLH6002	Tail Boom
10	BLH6003	Brushless Main Motor
11	BLH6004	Brushless Tail Motor
12	BLH6005	Landing Gear
13	BLH6006	Main Frame
14	BLH6007	Rotor Blade Set
15	BLH6008	Canopy
16	BLH6009	Tail Fin
17	BLH6010	AL Main Shaft
18	BLH6011	Hardware Set
19	BLH6012	Tail Rotor Prop (3)

	Part #	Description
20	EFLH2215	OuterShaft Bearing 3x6x2mm
21	SPMSH2027L	Servo
22	SPMSH2028L	Servo

## Recommended Parts

Part #	Description
EFLB2802S30	280mAh 2S 7.4V 30C Li-Po Battery

## Optional Parts

Part #	Description
BLH3907GR	Green FF Main Blade
BLH3907OR	Orange FF Main Blade
BLH3907YE	Yellow FF Main Blade
	DX7s DSMX 7-Channel Transmitter
	DX6 DSMX 6-Channel Transmitter
	DX7 DSMX 7-Channel Transmitter
	DX8 DSMX 8-Channel Transmitter
	DX9 DSMX 9-Channel Transmitter
	iX12 DSMX 12-Channel Transmitter

## Limited Warranty

### What this Warranty Covers

Horizon Hobby, LLC, (Horizon) warrants to the original purchaser that the product purchased (the "Product") will be free from defects in materials and workmanship at the date of purchase.

### What is Not Covered

This warranty is not transferable and does not cover (i) cosmetic damage, (ii) damage due to acts of God, accident, misuse, abuse, negligence, commercial use, or due to improper use, installation, operation or maintenance, (iii) modification of or to any part of the Product, (iv) attempted service by anyone other than a Horizon Hobby authorized service center, (v) Product not purchased from an authorized Horizon dealer, (vi) Product not compliant with applicable technical regulations, or (vii) use that violates any applicable laws, rules, or regulations.

OTHER THAN THE EXPRESS WARRANTY ABOVE, HORIZON MAKES NO OTHER WARRANTY OR REPRESENTATION, AND HEREBY DISCLAIMS ANY AND ALL IMPLIED WARRANTIES, INCLUDING, WITHOUT LIMITATION, THE IMPLIED WARRANTIES OF NON-INFRINGEMENT, MERCHANTABILITY AND FITNESS FOR A PARTICULAR PURPOSE. THE PURCHASER ACKNOWLEDGES THAT THEY ALONE

HAVE DETERMINED THAT THE PRODUCT WILL SUITABLY MEET THE REQUIREMENTS OF THE PURCHASER'S INTENDED USE.

### Purchaser's Remedy

Horizon's sole obligation and purchaser's sole and exclusive remedy shall be that Horizon will, at its option, either (i) service, or (ii) replace, any Product determined by Horizon to be defective. Horizon reserves the right to inspect any and all Product(s) involved in a warranty claim. Service or replacement decisions are at the sole discretion of Horizon. Proof of purchase is required for all warranty claims. SERVICE OR REPLACEMENT AS PROVIDED UNDER THIS WARRANTY IS THE PURCHASER'S SOLE AND EXCLUSIVE REMEDY.

### Limitation of Liability

HORIZON SHALL NOT BE LIABLE FOR SPECIAL, INDIRECT, INCIDENTAL OR CONSEQUENTIAL DAMAGES, LOSS OF PROFITS OR PRODUCTION OR COMMERCIAL LOSS IN ANY WAY, REGARDLESS OF WHETHER SUCH CLAIM IS BASED IN CONTRACT, WARRANTY, TORT, NEGLIGENCE, STRICT LIABILITY OR ANY OTHER THEORY OF LIABILITY, EVEN IF HORIZON HAS BEEN ADVISED OF THE POSSIBILITY OF SUCH DAMAGES. Further, in no event shall the liability of Horizon exceed the individual price of the Product on which liability is



©2019 Horizon Hobby, LLC.

Blade, the Blade logo, SAFE, the SAFE logo, BNF, the BNF logo, DSM, DSM2, DSMX, ModelMatch, and the Horizon Hobby logo are trademarks or registered trademarks of Horizon Hobby, LLC.

The Spektrum trademark is used with permission of Bachmann Industries, Inc.

All other trademarks, service marks or logos are property of their respective owners.

US 8,672,726. US 9,930,567. D774,933.

Created 8/19

60333.1

BLH6050