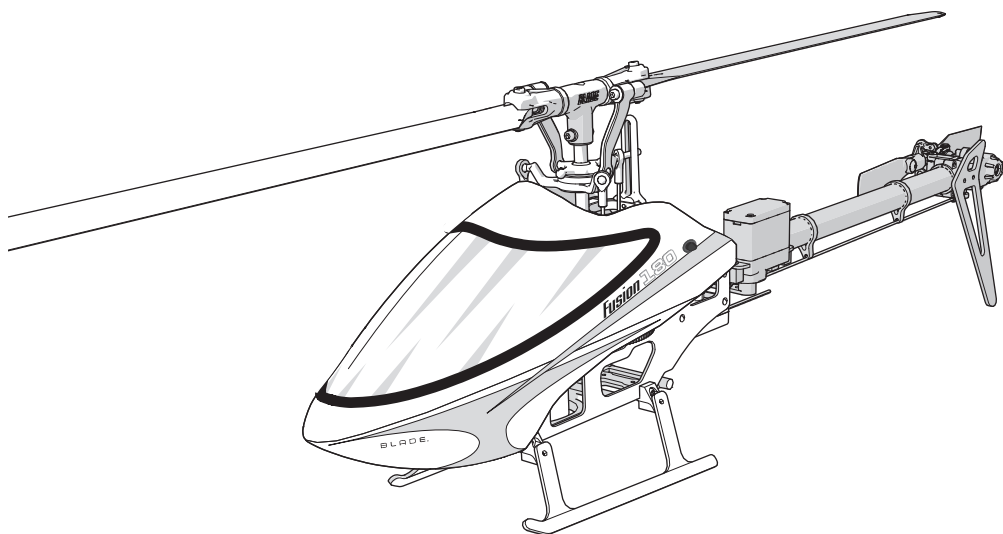


HORIZON
H O B B Y



BLADE®

Fusion™ 180

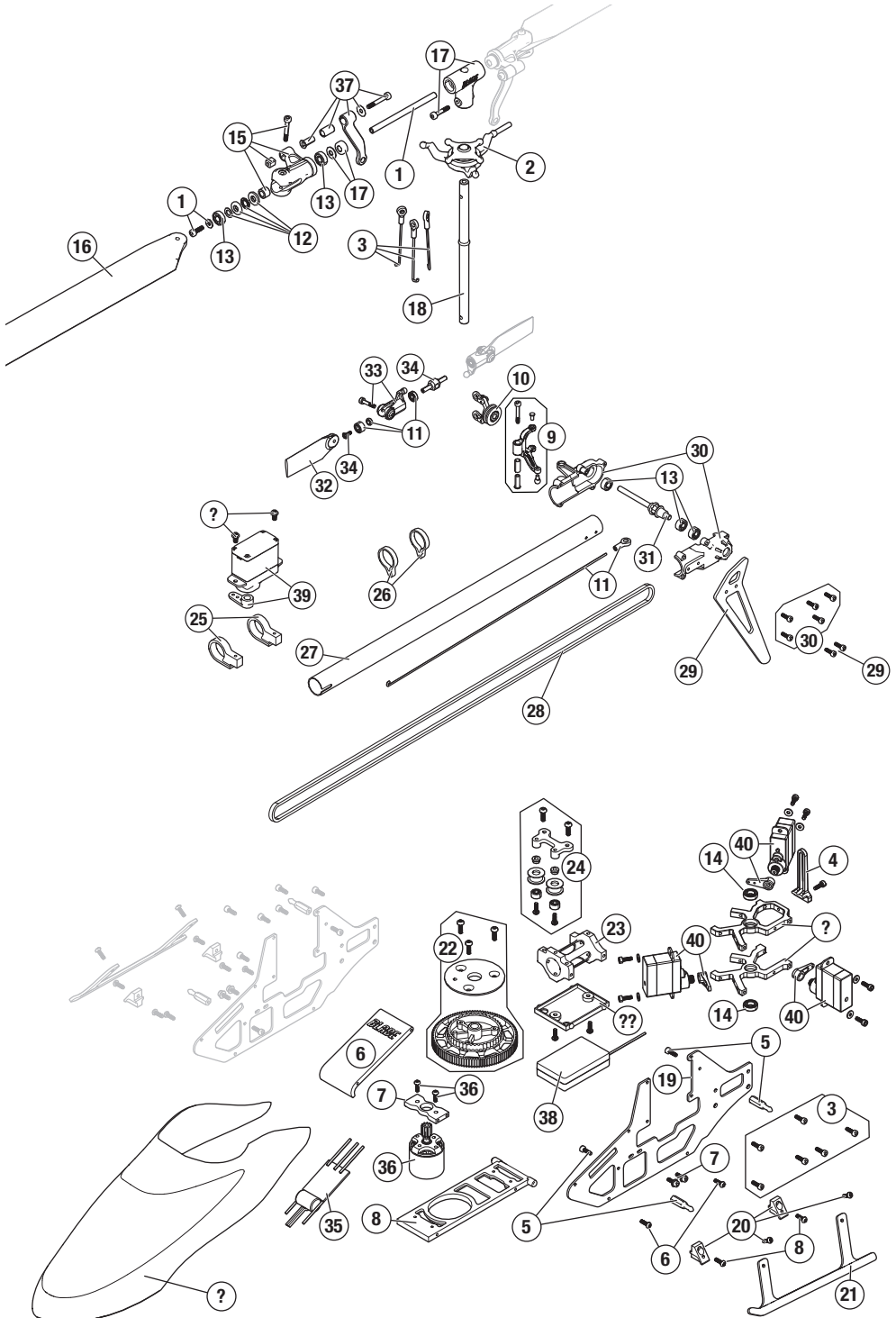


Instruction Manual
Bedienungsanleitung
Manuel d'utilisation
Manuale di Istruzioni

BNF
BASIC

AS3X®

Exploded View



Replacement Parts

#	Part #	Description
1	BLH3403	Feathering Spindle Set: 180 CFX
2	BLH3406	Swashplate: 180 CFX
3	BLH3410	Servo Control Linkage Set: 180 CFX
4	BLH3412	Anti-Rotation Bracket: 180 CFX
5	BLH3414	Body Post Set: 180 CFX
6	BLH3415	Battery Tray: 180 CFX
7	BLH3416	Motor Mount: 180 CFX
8	BLH3418	Bottom Plate: 180 CFX
9	BLH3433	Tail Pitch Bellcrank: 180 CFX
10	BLH3434	Tail Pitch Slider: 180 CFX
11	BLH3436	Tail Grip Bearing Set: 180 CFX
12	BLH3438	2.5x6x2.8mm Thrust Bearing: 180 CFX
13	BLH3439	2.5x6x1.8mm Radial Bearing: 180 CFX
14	BLH3704	4x7x2mm Radial Bearing
15	BLH3754	Main Bld Grips Trio 180 CFX
16	BLH5801	Fusion 180mm Main Blade Set
17	BLH5802	Main Rotor Headblock: Fusion 180
18	BLH5803	Main Shaft: Fusion 180
19	BLH5804	Frame (1): Fusion 180
20	BLH5805	Landing Gear Mount (4): Fusion 180

#	Part #	Description
21	BLH5806	Landing Gear: Fusion 180
22	BLH5807	Main Gear/Front Belt Pulley: Fusion 180
23	BLH5808	Front Tail Boom Case: Fusion 180
24	BLH5809	Tail Belt Guide: Fusion 180
25	BLH5810	Tail Servo Boom Mount: Fusion 180
26	BLH5811	Tail Pushrod/Guide: Fusion 180
27	BLH5812	Tail Boom (2): Fusion 180
28	BLH5813	Tail Belt: Fusion 180
29	BLH5814	Painted Vertical Tail Fin: Fusion 180
30	BLH5815	Rear Tail Case: Fusion 180
31	BLH5816	Tail Shaft w/Pulley: Fusion 180
32	BLH5817	Fusion 36mm Tail Blade Set
33	BLH5818	Tail Grip Set: Fusion 180
34	BLH5819	Tail Rotor Hub: Fusion 180
35	BLH5820	20A Brushless ESC: Fusion 180
36	BLH5821	1310-3600Kv Brushless Motor: Fusion 180
37	BLH5822	Follower Arms: Fusion 180
38	SPMAR6335	AR6335 6Ch AS3X Nanolite RX
39	SPMSH2070	Sub-Micro Digital Tail Servo JST
40	SPMSH2070T	Sub-Micro Digital Metal Gear Servo JST

Optional Parts

Part #	Description
SPMX4504S50	14.8V 450mAh 4S 50C Smart LiPo Battery, JST
BLH3409	Stock Canopy: 180 CFX
BLH3409A	Option Canopy: 180 CFX
BLH3433A	Aluminum Tail Pitch Bellcrank: 180 CFX
BLH3434A	Tail Pitch Slider Aluminum: 180 CFX
DYNC2005	Prophet Sport Li-Po 35W AC Charger

Part #	Description
	DX6 DSMX 6-Channel Transmitter Only
	DX7s DSMX 7-Channel Transmitter Only
	DX8 DSMX 8-Channel Transmitter Only
	DX9 DSMX 9-Channel Transmitter Only
	DX18 DSMX 18-Channel Transmitter Only
	DX20 DSMX 20-Channel Transmitter Only
	iX12 DSMX 12-Channel Transmitter Only

Limited Warranty

What this Warranty Covers

Horizon Hobby, LLC, (Horizon) warrants to the original purchaser that the product purchased (the "Product") will be free from defects in materials and workmanship at the date of purchase.

What is Not Covered

This warranty is not transferable and does not cover (i) cosmetic damage, (ii) damage due to acts of God, accident, misuse, abuse, negligence, commercial use, or due to improper use, installation, operation or maintenance, (iii) modification of or to any part of the Product, (iv) attempted service by anyone other than a Horizon Hobby authorized service center, (v) Product not purchased from an authorized Horizon dealer, (vi) Product not compliant with applicable technical regulations, or (vii) use that violates any applicable laws, rules, or regulations.

OTHER THAN THE EXPRESS WARRANTY ABOVE, HORIZON MAKES NO OTHER WARRANTY OR REPRESENTATION, AND HEREBY DISCLAIMS ANY AND ALL IMPLIED WARRANTIES, INCLUDING, WITHOUT LIMITATION, THE IMPLIED

WARRANTIES OF NON-INFRINGEMENT, MERCHANTABILITY AND FITNESS FOR A PARTICULAR PURPOSE. THE PURCHASER ACKNOWLEDGES THAT THEY ALONE HAVE DETERMINED THAT THE PRODUCT WILL SUITABLY MEET THE REQUIREMENTS OF THE PURCHASER'S INTENDED USE.

Purchaser's Remedy

Horizon's sole obligation and purchaser's sole and exclusive remedy shall be that Horizon will, at its option, either (i) service, or (ii) replace, any Product determined by Horizon to be defective. Horizon reserves the right to inspect any and all Product(s) involved in a warranty claim. Service or replacement decisions are at the sole discretion of Horizon. Proof of purchase is required for all warranty claims. SERVICE OR REPLACEMENT AS PROVIDED UNDER THIS WARRANTY IS THE PURCHASER'S SOLE AND EXCLUSIVE REMEDY.



BLADE®

©2019 Horizon Hobby, LLC.

Blade, E-flite, Prophet, AS3X, DSM, DSM2, DSMX, Spektrum AirWare, ModelMatch, BNF, the BNF logo and the Horizon Hobby logo are trademarks or registered trademarks of Horizon Hobby, LLC.

The Spektrum trademark is used with permission of Bachmann Industries, Inc.

All other trademarks, service marks or logos are property of their respective owners.

Patents pending.

Created 05/19

59259.3

BLH5850