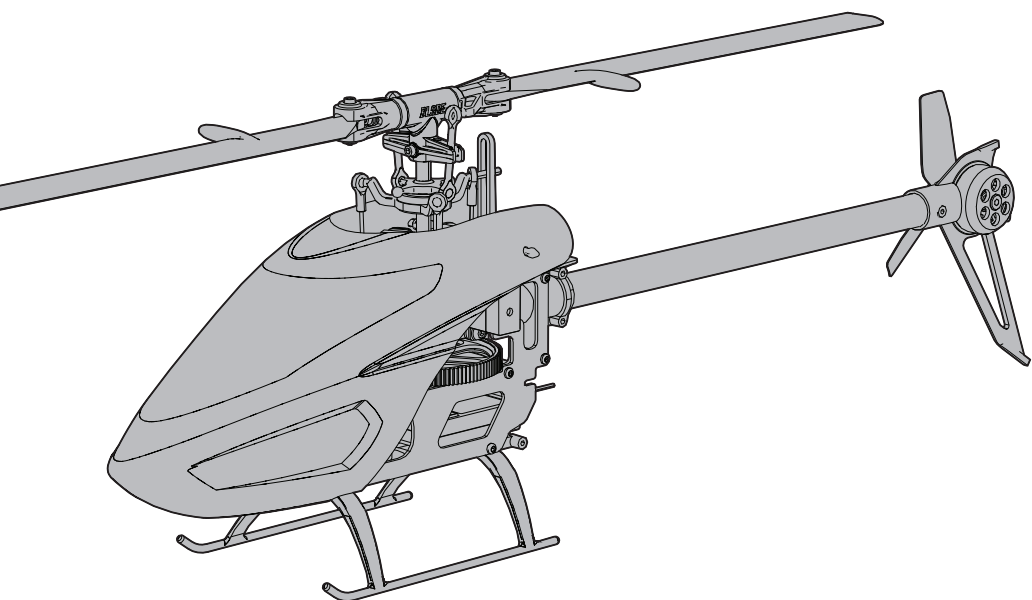


BLADE

**150
S**



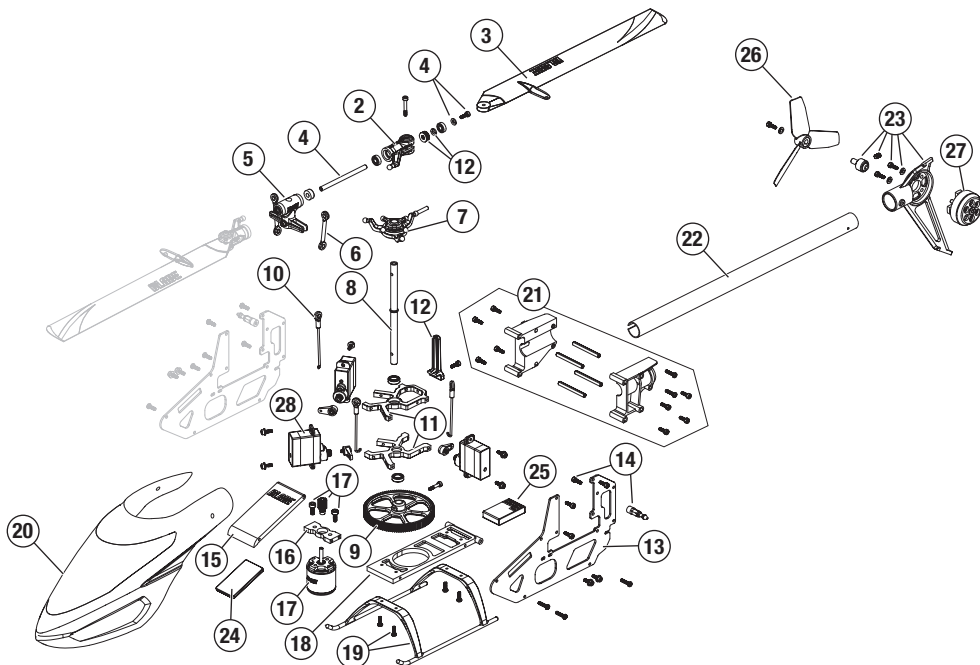
**Instruction Manual
Bedienungsanleitung
Manuel d'utilisation
Manuale di Istruzioni**

SAFE

BNF
BASIC

HORIZON
H O B B Y

Exploded View



Parts List

Part #	Description
1	BLH1914 Canopy Grommets (8)
2	BLH3401 Main Blade Grips: 150 S, 180 CFX
3	BLH3402 Main Blades: 150 S, 180 CFX
4	BLH3403 Feathering Spindle Set: 150 S, 180 CFX
5	BLH3404 Main Rotor Head Block: 150 S, 180 CFX
6	BLH3405 Rotor Head Linkage Set: 150 S, 180 CFX
7	BLH3406 Swashplate: 150 S, 180 CFX
8	BLH3407 Main Shaft Set: 150 S, 180 CFX
9	BLH3408 Main Gear: 150 S, 180 CFX
10	BLH3410 Servo Control Link Set: 150 S, 180 CFX
11	BLH3411 Main Bearing Block Set: 150 S, 180 CFX
12	BLH3412 Anti-Rotation Bracket: 150 S, 180 CFX
13	BLH3413 Carbon Fiber Main Frame: 180 CF
14	BLH3414 Body Post Set: 150 S, 180 CFX
15	BLH3415 Battery Tray: 150 S, 180 CFX

Part #	Description
16	BLH3416 Motor Mount: 150 S, 180 CFX
17	BLH3417 Brushless Main Motor: 150 S, 180 CFX
18	BLH3418 Bottom Plate: 150 S, 180 CFX
19	BLH3419 Landing Gear: 150 S, 180 CFX
20	BLH5401 Stock Canopy: 150 S
21	BLH5402 Tailboom Mount: 150 S
22	BLH5403 Tailboom (2): 150 S
23	BLH5404 Tail Fin Mount (White): 150 S
24	SPMXAE2020 ESC: 150 S
25	SPMAR6250M-HXC Replacement Receiver: 150 S
26	BLH9307 Tail Rotor Blade Set: 150 S, 130 S
27	BLH9311 Brushless Tail Motor: 150 S, 130 S
28	SPMSH2065 Nanolite High Speed MG Heli SX

Recommended Parts List

Part #	Description
SPMX4503S50	450mAh 3S 50C w/IC-2
SPMR12000	iX12 12 Channel Transmitter Only
SPMR6750	DX6 Transmitter Only MD2 G3
SPMR8000	DX8 Transmitter Only MD2
SPMR9910	DX9 Black Transmitter Only MD2
SPMXC1000	"Smart S1200 DC Charger, 1x200W"

Part #	Description
SPMXC1010	"Smart S2100 AC Charger, 2X100W"
SPMR6775	NX6 6-Channel Transmitter Only
SPMR8200	NX8 8-Channel Transmitter Only
SPMXBC100	XBC100 Smart LiPo Battery Checker & Servo Driver
SPMXCA320	Adapter, 6": IC3 Battery/IC2 Device

Optional Parts List

Part #	Description
BLH3409	Stock Canopy: 180 CFX
BLH3409A	Option Canopy: 180 CFX
BLH3409B	Fiberglass Canopy: 180 CFX

Part #	Description
BLH9305	Tail Fin/Motor Mount Set: 130 S
SPMA3065	AS3X Programming Cable - USB Interface

Limited Warranty

What this Warranty Covers

Horizon Hobby, LLC, (Horizon) warrants to the original purchaser that the product purchased (the "Product") will be free from defects in materials and workmanship at the date of purchase.

What is Not Covered

This warranty is not transferable and does not cover (i) cosmetic damage, (ii) damage due to acts of God, accident, misuse, abuse, negligence, commercial use, or due to improper use, installation, operation or maintenance, (iii) modification of or to any part of the Product, (iv) attempted service by anyone other than a Horizon Hobby authorized service center, (v) Product not purchased from an authorized Horizon dealer, (vi) Product not compliant with applicable technical regulations, or (vii) use that violates any applicable laws, rules, or regulations.

OTHER THAN THE EXPRESS WARRANTY ABOVE, HORIZON MAKES NO OTHER WARRANTY OR REPRESENTATION, AND HEREBY DISCLAIMS ANY AND ALL IMPLIED WARRANTIES, INCLUDING, WITHOUT LIMITATION, THE IMPLIED WARRANTIES OF NON-INFRINGEMENT, MERCHANTABILITY AND FITNESS FOR A PARTICULAR PURPOSE. THE PURCHASER ACKNOWLEDGES THAT THEY ALONE HAVE DETERMINED THAT THE PRODUCT WILL SUITABLY MEET THE REQUIREMENTS OF THE PURCHASER'S INTENDED USE.

Purchaser's Remedy

Horizon's sole obligation and purchaser's sole and exclusive remedy shall be that Horizon will, at its option, either (i) service, or (ii) replace, any Product determined by Horizon to be defective. Horizon reserves the right to inspect any and all Product(s) involved in a warranty claim. Service or replacement decisions are at the sole discretion of Horizon. Proof of purchase is required for all warranty claims. SERVICE OR REPLACEMENT AS PROVIDED UNDER THIS WARRANTY IS THE PURCHASER'S SOLE AND EXCLUSIVE REMEDY.

Limitation of Liability

HORIZON SHALL NOT BE LIABLE FOR SPECIAL, INDIRECT, INCIDENTAL OR CONSEQUENTIAL DAMAGES, LOSS OF PROFITS OR PRODUCTION OR COMMERCIAL LOSS IN ANY WAY, REGARDLESS OF WHETHER SUCH CLAIM IS BASED IN CONTRACT, WARRANTY, TORT, NEGLIGENCE, STRICT LIABILITY OR ANY OTHER THEORY OF LIABILITY, EVEN IF HORIZON HAS BEEN ADVISED OF THE POSSIBILITY OF SUCH DAMAGES. Further, in no event shall the liability of Horizon exceed the individual price of the Product on which liability is asserted. As Horizon has no control over use, setup, final assembly, modification or misuse, no liability shall be assumed nor accepted for any resulting damage or injury. By the act of use, setup or assembly, the user accepts all resulting liability. If you as the purchaser or user are not prepared to accept the liability associated with the use of the Product, purchaser is advised to return the Product immediately in new and unused condition to the place of purchase.

Law

These terms are governed by Illinois law (without regard to conflict of law principals). This warranty gives you specific legal rights, and you may also have other rights which vary from state to state. Horizon reserves the right to change or modify this warranty at any time without notice.

WARRANTY SERVICES

Questions, Assistance, and Services

Your local hobby store and/or place of purchase cannot provide warranty support or service. Once assembly, setup or use of the Product has been started, you must contact your local distributor or Horizon directly. This will enable Horizon to better answer your questions and service you in the event that you may need any assistance. For questions or assistance, please visit our website at www.horizonhobby.com, submit a Product Support Inquiry, or call the toll free telephone number referenced in the Warranty and Service Contact Information section to speak with a Product Support representative.

Inspection or Services

If this Product needs to be inspected or serviced and is compliant in the country you live and use the Product in, please use the Horizon Online Service Request submission process found on our website or call Horizon to obtain a Return Merchandise Authorization (RMA) number. Pack the Product securely using a shipping carton. Please note that original boxes may be included, but are not designed to withstand the rigors of shipping without additional protection. Ship via a carrier that provides tracking and insurance for lost or damaged parcels, as Horizon is not responsible for merchandise until it arrives and is accepted at our facility. An Online Service Request is available at http://www.horizonhobby.com/content/_service-center_render-service-center. If you do not have internet access, please contact Horizon Product Support to obtain a RMA number along with instructions for submitting your product for service. When calling Horizon, you will be asked to provide your complete name, street address, email address and phone number where you can be reached during business hours. When sending product into Horizon, please include your RMA number, a list of the included items, and a brief summary of the problem. A copy of your original sales receipt must be included for warranty consideration. Be sure your name, address, and RMA number are clearly written on the outside of the shipping carton.

NOTICE: Do not ship Li-Po batteries to Horizon. If you have any issue with a Li-Po battery, please contact the appropriate Horizon Product Support office.

Warranty Requirements

For Warranty consideration, you must include your original sales receipt verifying the proof-of-purchase date. Provided warranty conditions have been met, your Product will be serviced or replaced free of charge. Service or replacement decisions are at the sole discretion of Horizon.



©2021 Horizon Hobby, LLC.

Blade, the Blade logo, SAFE, The SAFE logo, DSM2, DSMX, BNF, the BNF logo, and the Horizon Hobby logo are trademarks or registered trademarks of Horizon Hobby, LLC.

The Spektrum trademark is used with permission of Bachmann Industries, Inc.
All other trademarks, service marks or logos are property of their respective owners.

US 9,930,567. US 10,419,970. US 10,849,013. Other patents pending.

Created 02/21

59097.1

BLH54500