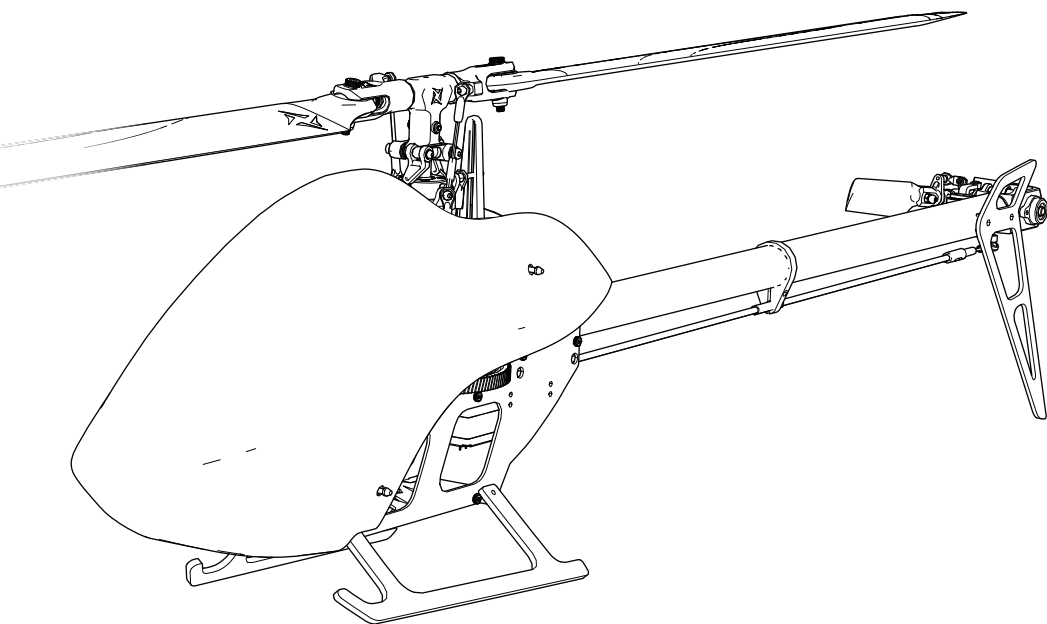


BLADE

Fusion™ **360**

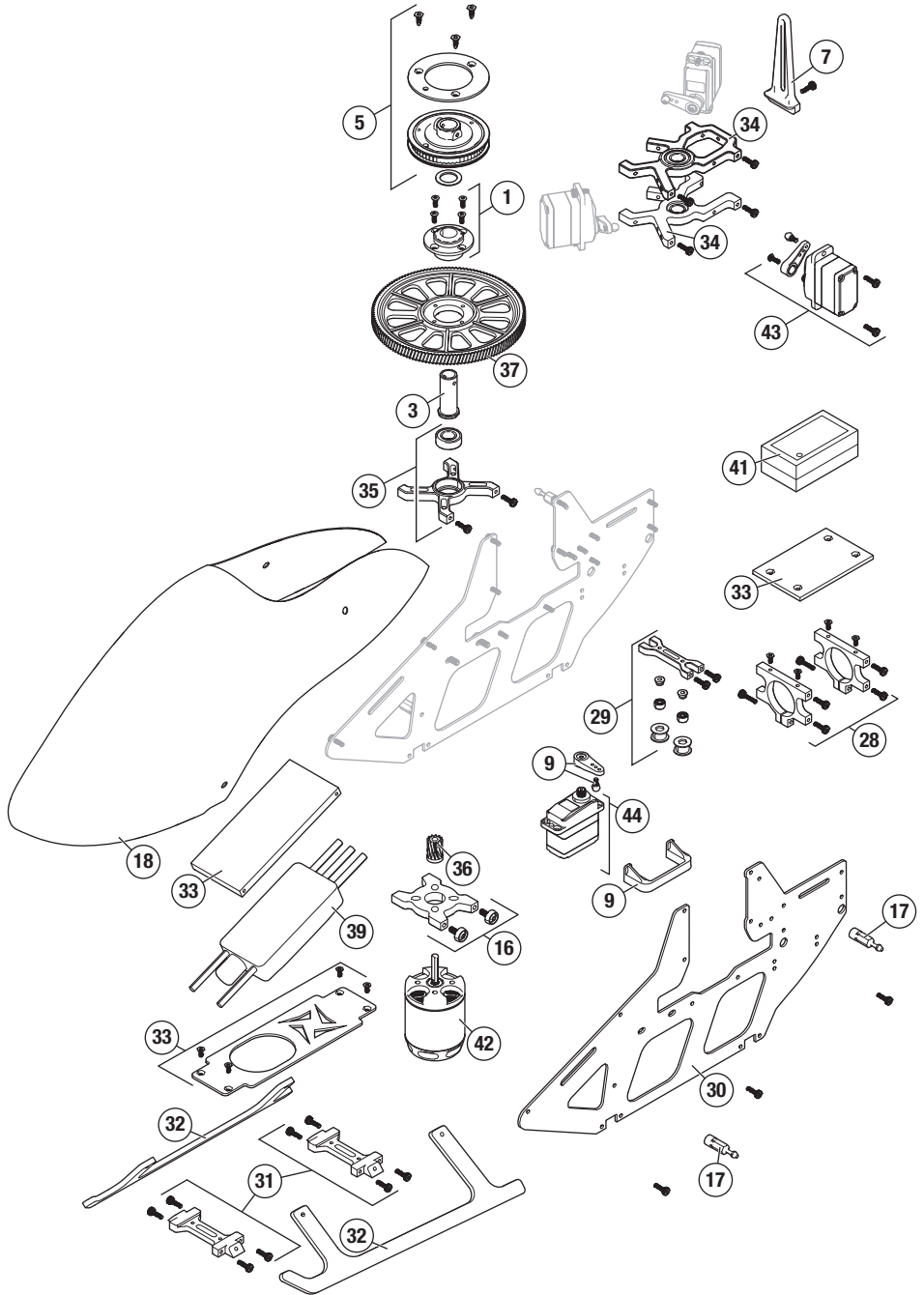


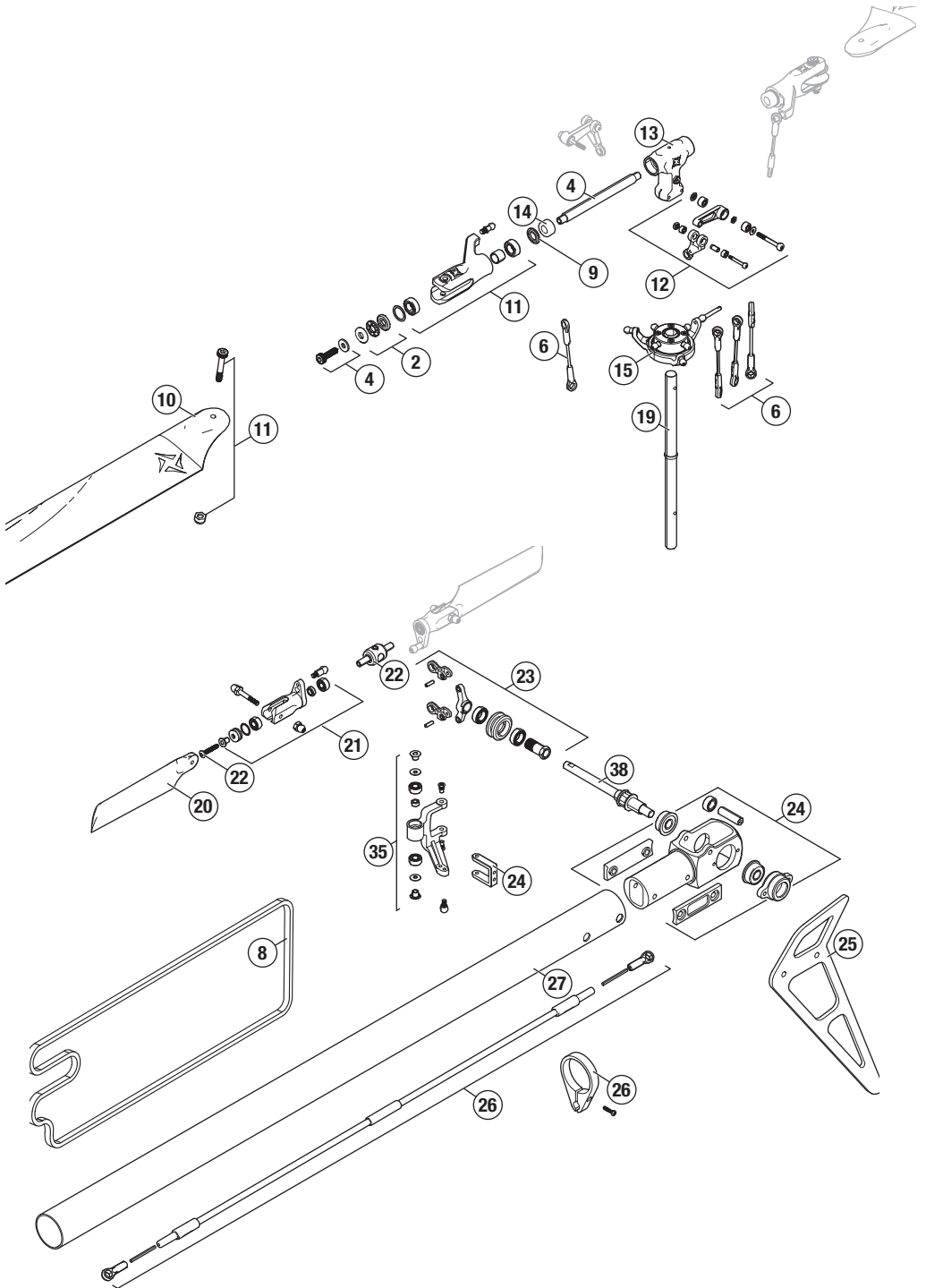
**Instruction Manual
Bedienungsanleitung
Manuel d'utilisation
Manuale di Istruzioni**

BNF
BASIC

HORIZON
H O B B Y

Exploded View





Parts List

#	Part #	Description
1	BLH1603	One-Way bearing Hub with One-Way Bearing
2	BLH1620	3x8x3.5 Thrust Bearing (2)
3	BLH1649	One-Way Bearing Shaft and Shim Set
4	BLH4705	Spindle Set (2): 360 CFX
5	BLH4710	Belt Drive Puller: 360 CFX
6	BLH4720	Linkage Set: 360 CFX
7	BLH4721	Anti-Rotation Bracket: 360 CFX
8	BLH4728	Tail Drive Belt: 360 CFX
9	BLH4831	Servo Arm, Linkage Balls, Tail Servo Mount
10	BLH5201	Fusion 350mm Main Blade
11	BLH5202	Main Grip Set (2): Fusion 360
12	BLH5203	Washout Mixing Arms: Fusion 360
13	BLH5204	Main Rotor Headblock: Fusion 36
14	BLH5205	Damper Set (2) 90 : Fusion 360
15	BLH5206	Swashplate: Fusion 360
16	BLH5207	Motor Mount: Fusion 360
17	BLH5208	Body Post Mounts (4): Fusion 36
18	BLH5209	Fusion 360 Painted Canopy
19	BLH5210	Main Shaft: Fusion 360
20	BLH5211	Fusion 65mm Tail Blade Set
21	BLH5212	Alu Tail Grip Set: Fusion 360
22	BLH5213	Tail Rotor Hub: Fusion 360

#	Part #	Description
23	BLH5214	Tail Pitch Slider: Fusion 360
24	BLH5215	Rear Tail Case: Fusion 360
25	BLH5216	Vertical Tail Fin: Fusion 360
26	BLH5217	Tail Rotor Pushro: Fusion 360
27	BLH5218	Tail Boom Set (2): Fusion 360
28	BLH5219	Tail Boom Clamp (2): Fusion 360
29	BLH5220	Tail Belt Guide: Fusion 360
30	BLH5221	Frame (1): Fusion 360
31	BLH5222	Gear Mount (2): Fusion 360
32	BLH5223	Landing Gear: Fusion 360
33	BLH5224	Carbon Plates: Fusion 360
34	BLH5225	Bear Block Set (3): Fusion 360
35	BLH5226	Tail Rotor Bellcrank: Fusion 360
36	BLH5232	Helical Pinion 12T
37	BLH5337	Helical Main Gear Black
38	BLH5336	Tail Shaft with Pulley
39	BLHHW60A	Blade Heli 60 A Brushless ESC
40	SPM4649T	DSMX Quad Race Receiver w/telemetry
41	SPMFC6250HX	Flight Controller
42	BLH4731	Brushless Out-Runner Motor, 1800Kv
43	SPMSH3055	H3055 M-T / U-S Micro Cyclic Servo
44	SPMSH3065	H3065 M-T / U-S Micro Tail Servo

Recommended Parts List

Part #	Description
SPMX18006S50	6S LiPo Battery, 1800mAh, 50C, iC3
SPMXC1000	Smart S1200 DC Charger, 1x200W

Part #	Description
SPMXC1010	Smart S2100 AC Charger, 2x100W
SPMXC10201	Smart 30-Amp Power Supply

Optional Parts List

Part #	Description
BLH5051	Brushless Motor, 3400Kv: 360 CF
BLH5230	10T Helical Pinion
BLH5231	11T Helical Pinion
SPMX18006S50	1800mAh 6S 22.2V 50C LiPo iC3

Part #	Description
SPMSP1040	Gear Set: H3050
SPMSP1041	Gear Set: H3060
SPMSP2052	Case Set: H3050, H3060

Ball Bearing Sizes

Description	Bearing Size
Main Grip Radial Bearings	9mm x 5mm x 3mm
Main Thrust Bearings	9mm x 4mm x 4mm
Washout Arm Pivot Bearings	5mm x 2mm x 2.5mm
Washout Arm Link Bearing	4mm x 1.5mm x 2mm
Main Shaft Bearing Blocks	12mm x 6mm x 4mm
Tail Belt Front Idler Pulley	5mm x 2mm x 2.5mm

Description	Bearing Size
Tail Belt Rear Idler Pulley	7mm x 4mm x 2.5mm
Tail Case Tail Shaft Bearings	F10mm x 4mm x 4mm
Tail Bellcrank Bearings	6mm x 3mm x 2.5mm
Tail Pitch Slider Bearings	8mm x 5mm x 2.5mm
Tail Grip Radial Bearings	6mm x 3mm x 5mm
Tail Grip Thrust Bearings	6mm x 2.5mm x 3mm



©2019 Horizon Hobby, LLC.

Blade, the Blade logo, Fusion, DSM, DSM2, DSMX, Bind-N-Fly, IC3, EC3, AirWare, SAFE, BNF, the BNF logo, ModelMatch and the Horizon Hobby logo are trademarks or registered trademarks of Horizon Hobby, LLC.

The Spektrum trademark is used with permission of Bachmann Industries, Inc.

Futaba is a registered trademark of Futaba Denshi Kogyo Kabushiki Kaisha Corporation of Japan.

All other trademarks, service marks or logos are property of their respective owners. US D774,933.

Created 03/19

BLH5250

58420