

TM

# RC 10 B74.1 TEAM KIT

1:10 Scale 4WD Electric  
Off Road Competition Buggy Kit



RC 10  
B74.1  
TEAM KIT



#90027 RC10B74.1 TEAM KIT

1:10 Scale 4WD Electric Off Road Competition Buggy Manual & Catalog



CHAMPIONS *by* DESIGN

[AssociatedElectrics.com](http://AssociatedElectrics.com)

# TEAM ASSOCIATED

**:: Bag 1 - Step 1**

**REAR POST**  
L.P.    STANDARD    L.P.

**FRONT POST**

**92242** Battery Post

**25215** M3 Locknut

**92113** Chassis Brace, Rear

**92113** Chassis Brace, Front

**92258** B74 Chassis, V2

**25202 x2** 3x10mm FHCS

**92112 x2** Side Guards, (left & right)

**25201 x4** 3x8mm FHCS

**25201 x7** 3x8mm FHCS

**!**  
Note, the 2 battery stops and 2nd battery post in bag 1 will be installed later in the manual, #92268 LP shorty battery post.

**:: Bag 1 - Step 2**

**!**  
Some screw holes not used for increased flex on dirt.

**31532 x10** 3x8mm BHCS

**92255** Chassis brace support, front (G10 2mm)

**92255** Chassis brace support, rear (G10 2mm)

**25211** 3x10mm BHCS

**92268** Fan Mount

**Fan** (Not included)

**89203 x2** 3x16mm BHCS

**92268** ESC Tray

**31541 x2** 3x6mm FHCS

**:: Bag 2 - Step 1**

**92122** B74 Arm mount, B

**92014 x2** Arm mount inserts

**25201 x2** 3x8mm FHCS

**#1596** thread lock

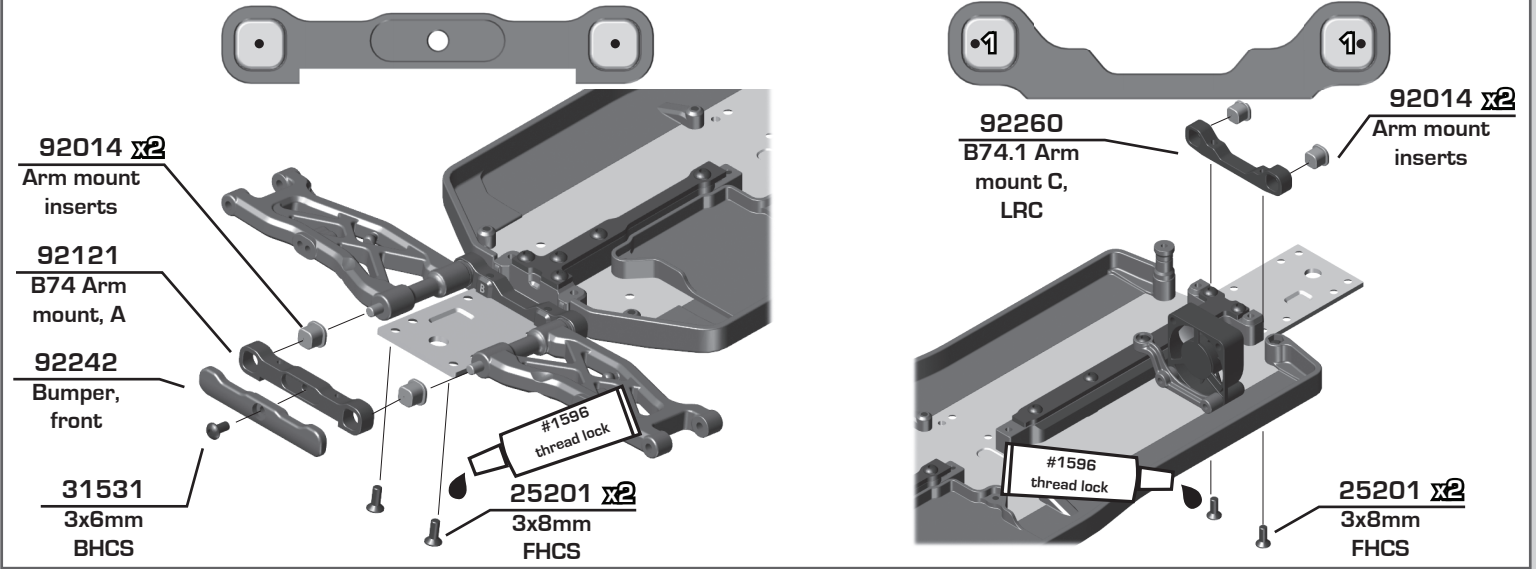
**3.5x47.5mm**

**92128 x2** Suspension arm, front

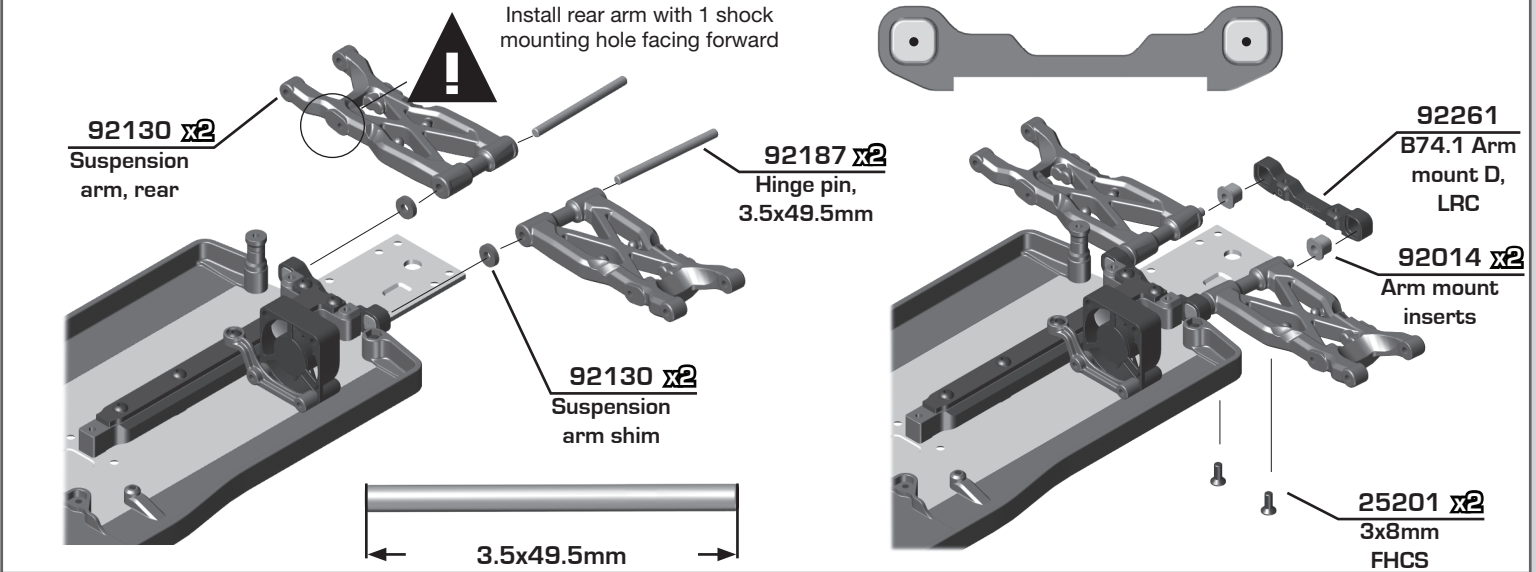
**92128 x2** Suspension arm shim

**92187 x2** Hinge pin, 3.5x47.5mm

**:: Bag 2 - Step 2**

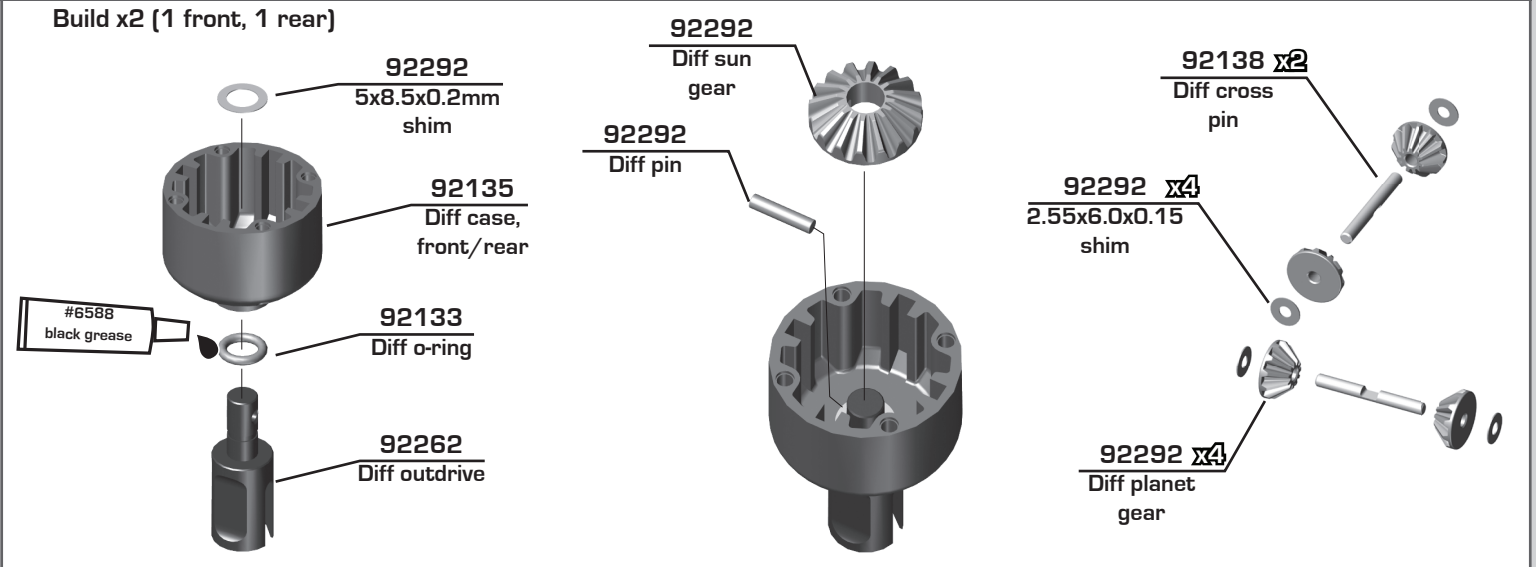


**:: Bag 2 - Step 3**

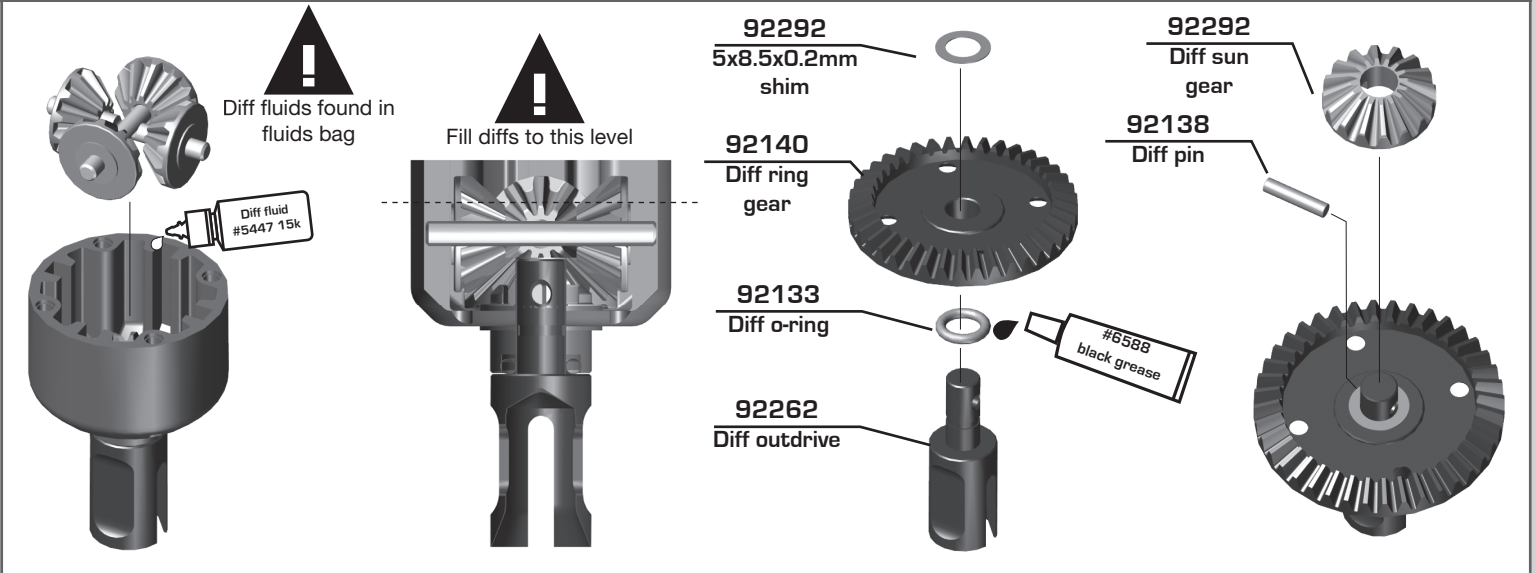


**:: Bag 3 - Step 1**

Build x2 (1 front, 1 rear)



**:: Bag 3 - Step 2**

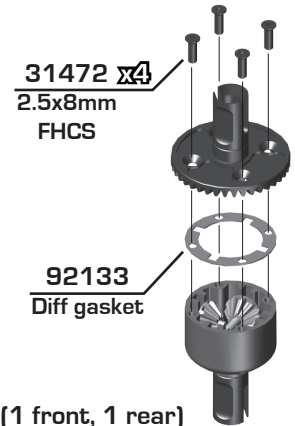
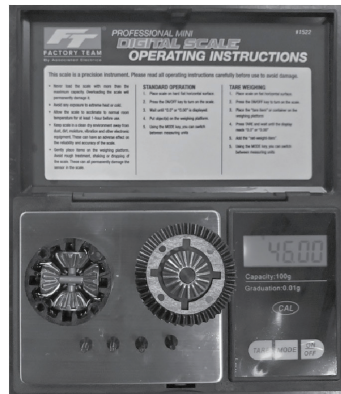


**:: Bag 3 - Step 3**



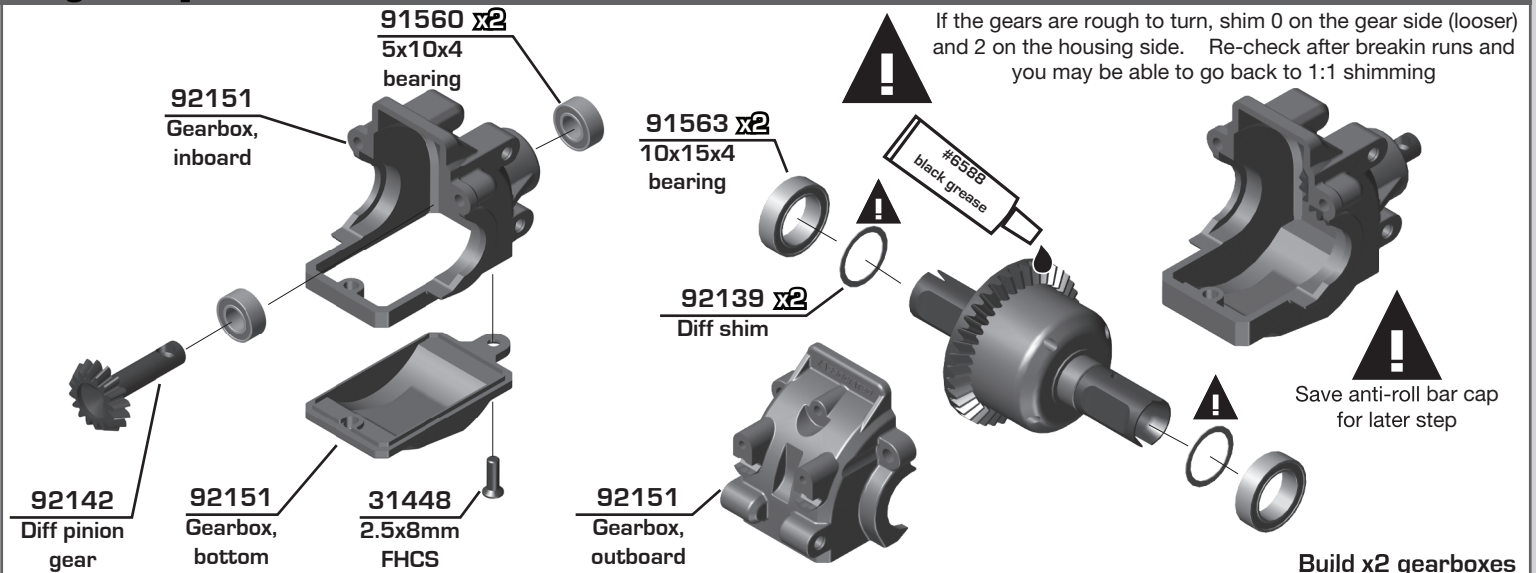
It is important that the correct amount of fluid is added to the diff. Too much fluid may cause the diff to fail. Fill diffs to the reference line shown above. A more accurate method is to use a digital scale (AE#1522) to make sure the correct amount of fluid is added on the first build, and subsequent rebuilds. The entire diff assembly should weigh **46g** when built. Start by placing the ring gear assembly, screws, and cup assembly (without fluid) onto the scale. Then slowly add fluid to the cup assembly until the overall mass is **46g**.

| B74 Diff Weights (minus bearings) |                |         |
|-----------------------------------|----------------|---------|
|                                   | Weight (grams) |         |
|                                   | Metal          | Plastic |
| F/R Differential                  | 46             | 36      |
| Center Differential               | 44.5           | 34.5    |



Build x2 [1 front, 1 rear]

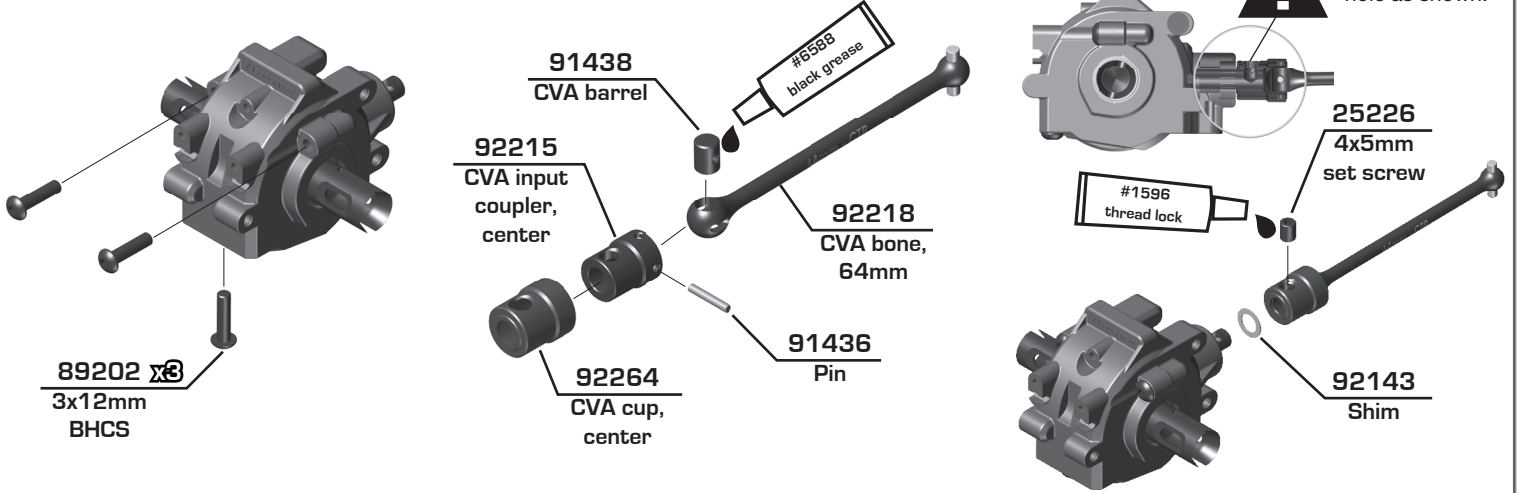
**:: Bag 4 - Step 1**



Build x2 gearboxes

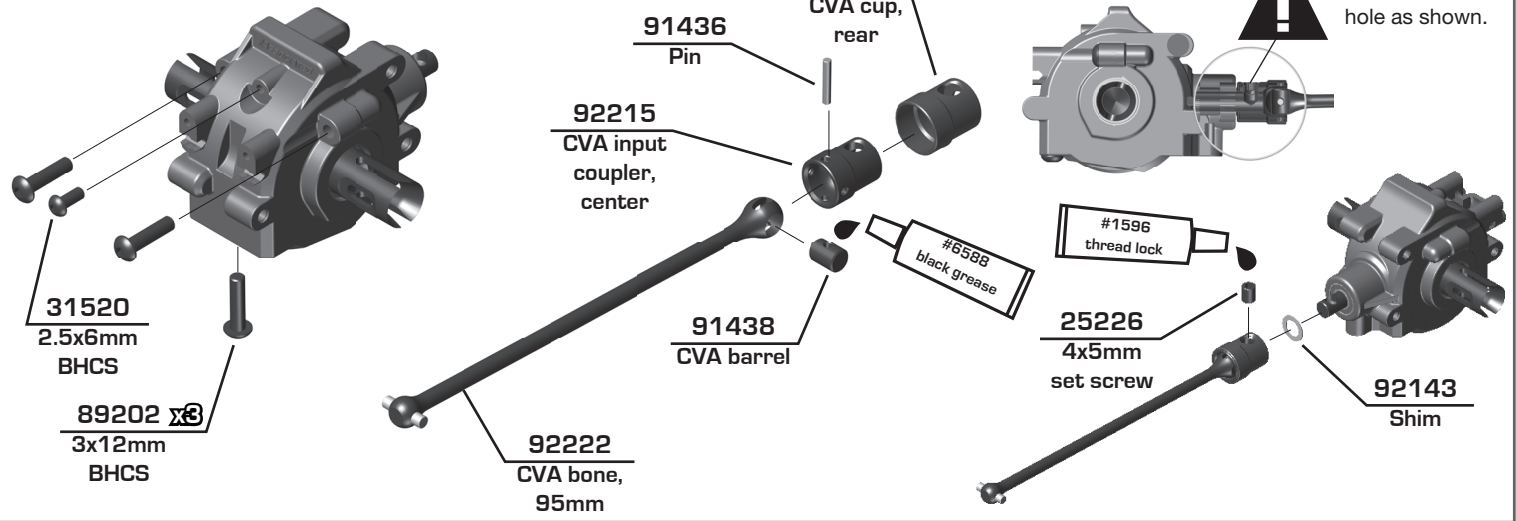
**:: Bag 4 - Step 2**

Build front gearbox



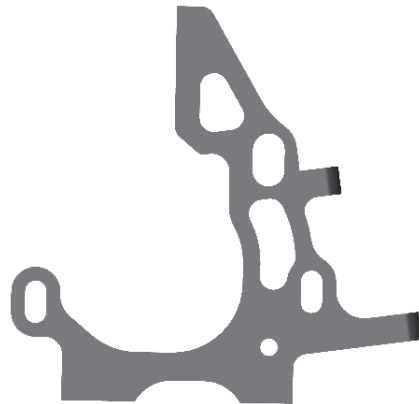
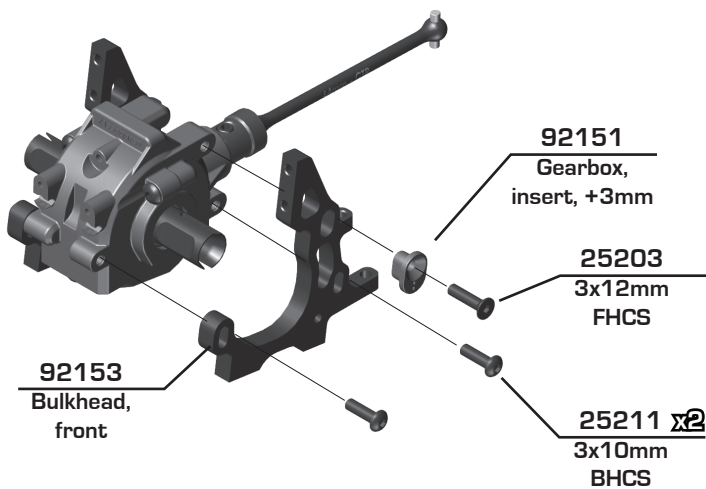
**:: Bag 4 - Step 3**

Build rear gearbox



**:: Bag 5 - Step 1**

Build front gearbox, left and right sides

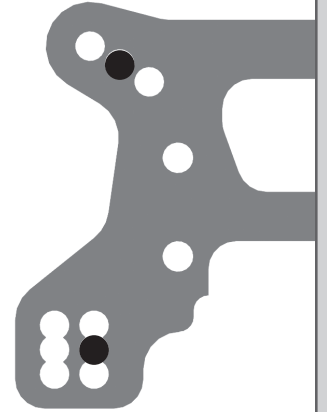
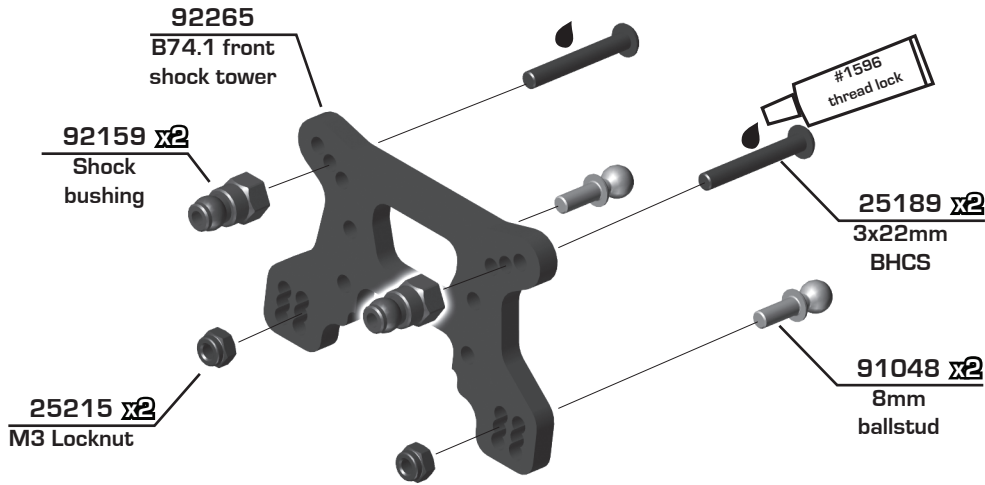


Keep these screws 1/4 turn loose until you install onto the chassis, then re-check and final tighten.

| Diff Height |      |
|-------------|------|
|             | +3mm |
|             | +2mm |
|             | +1mm |
|             | +0mm |

**:: Bag 5 - Step 2**

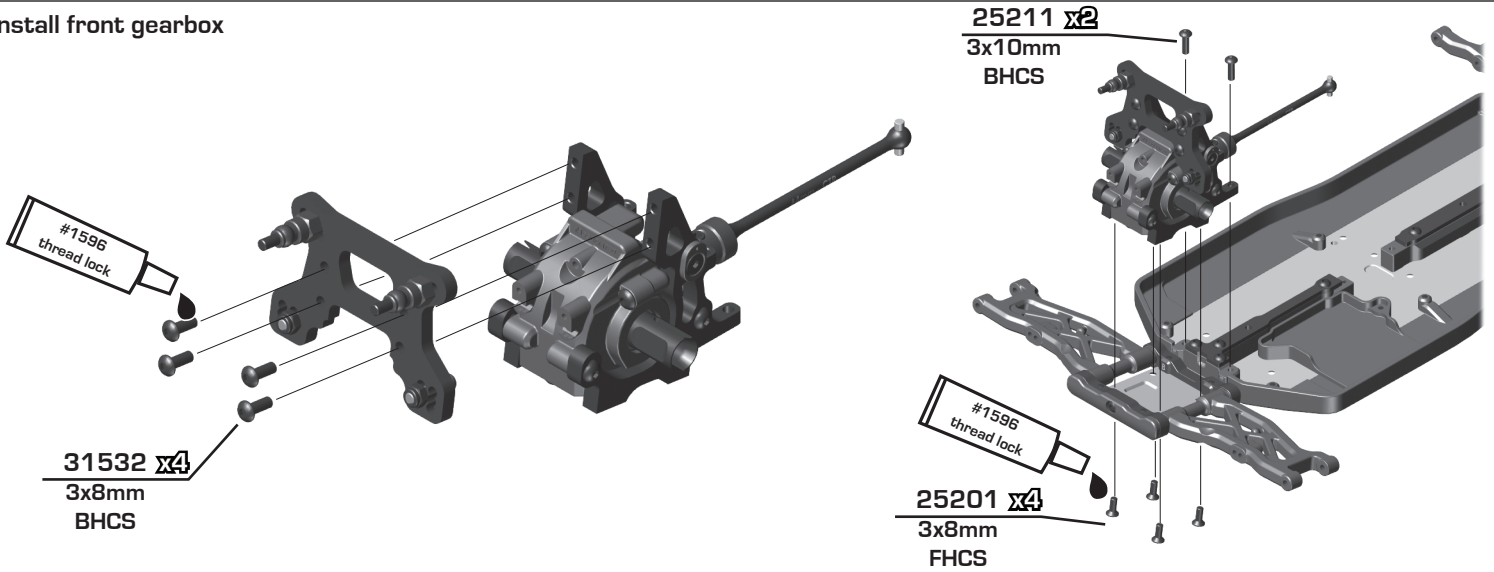
Build front shock tower



Tuning Tip: Use the shorter location for less steering and more stable front end, although this might slow cornering speed.

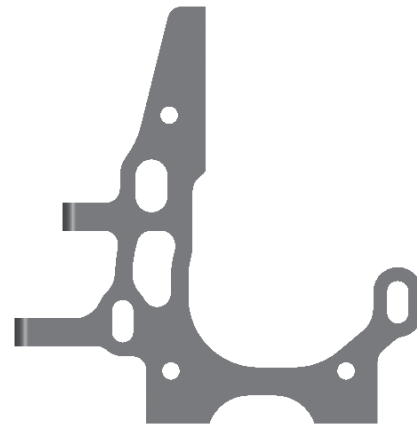
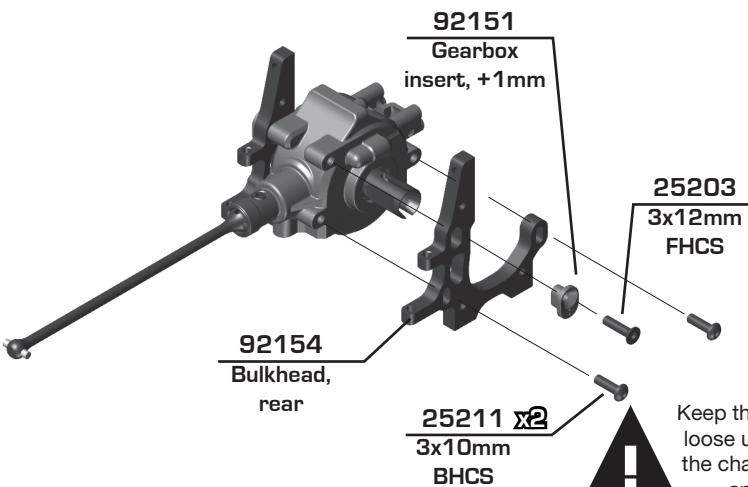
**:: Bag 5 - Step 3**

Install front gearbox



**:: Bag 5 - Step 4**

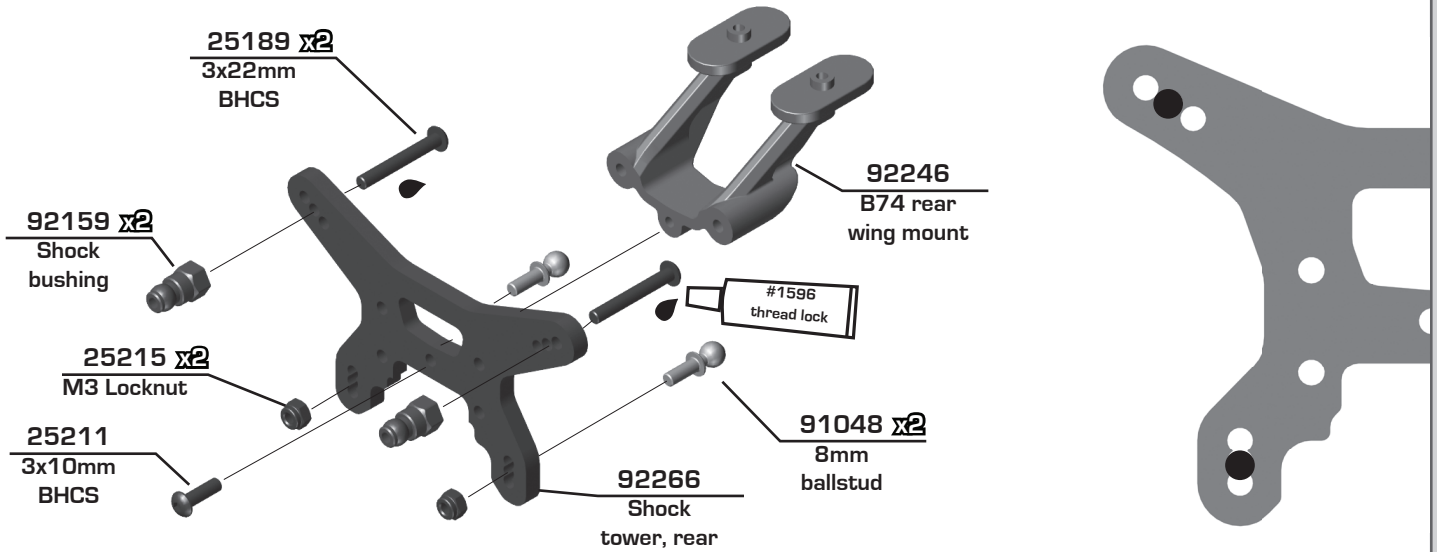
Build rear gearbox, left and right sides



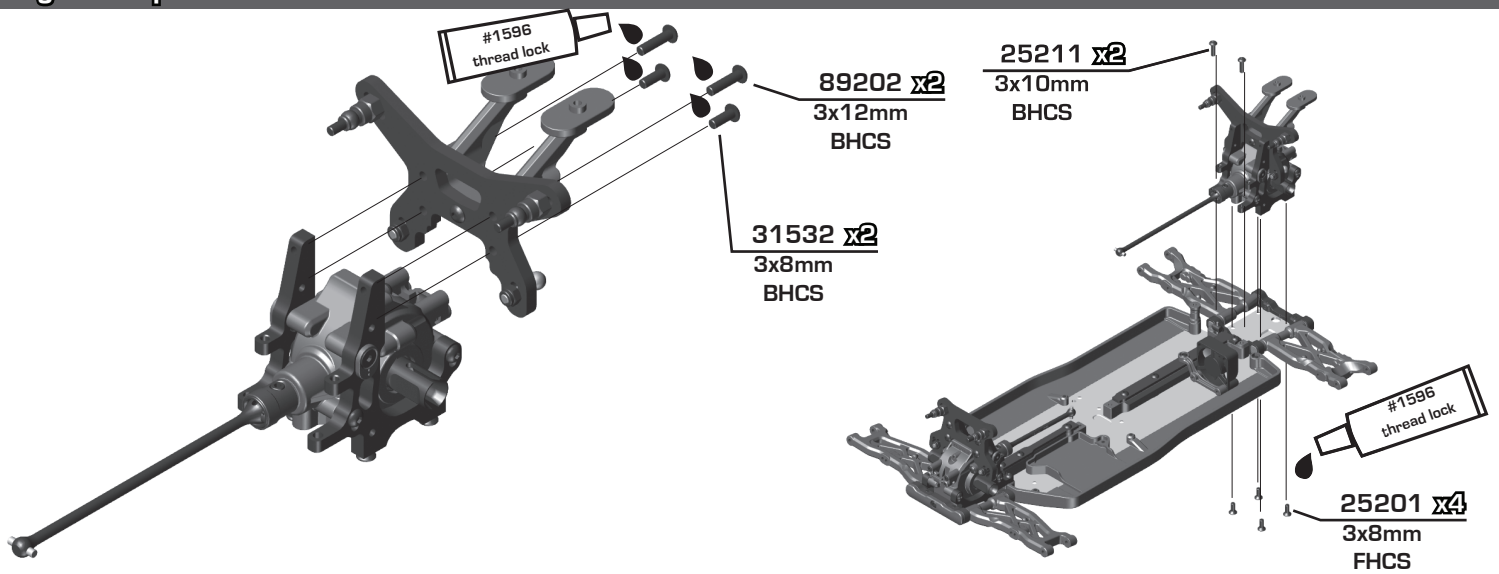
Keep these screws 1/4 turn loose until you install onto the chassis, then re-check and final tighten.

| Diff Height |      |
|-------------|------|
|             | +3mm |
|             | +2mm |
|             | +1mm |
|             | +0mm |

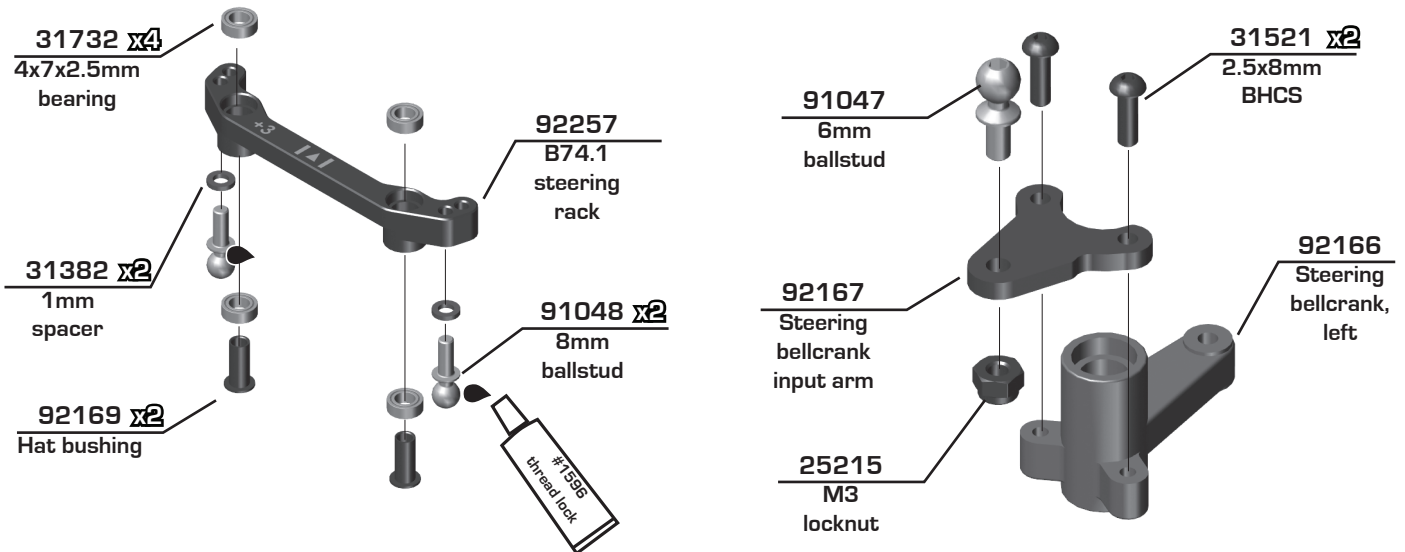
:: Bag 5 - Step 5



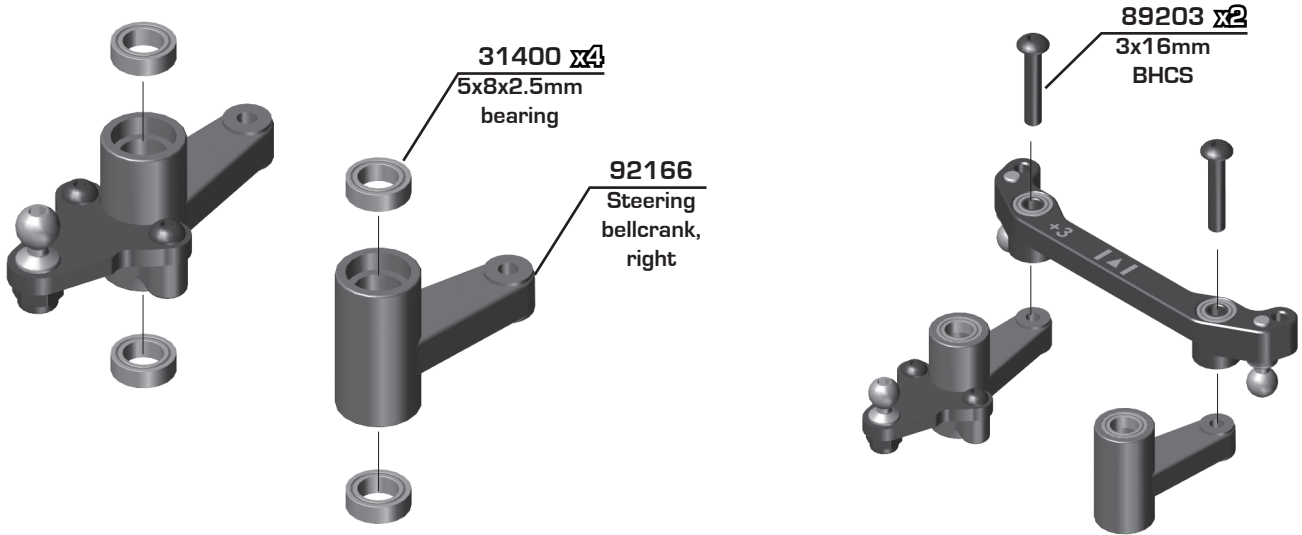
:: Bag 5 - Step 6



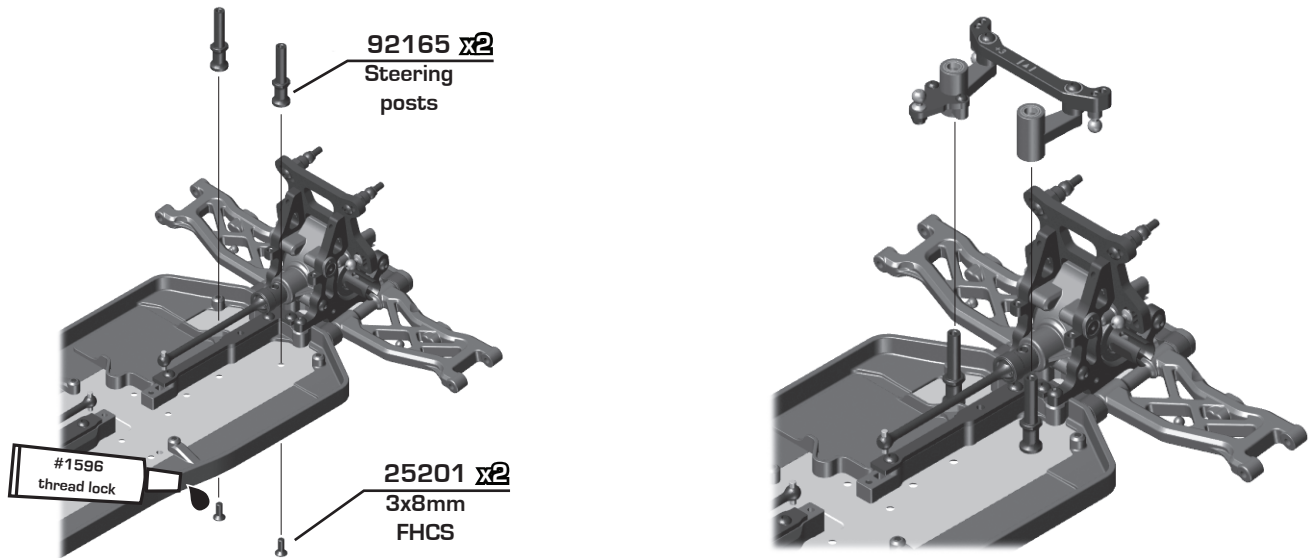
:: Bag 6 - Step 1



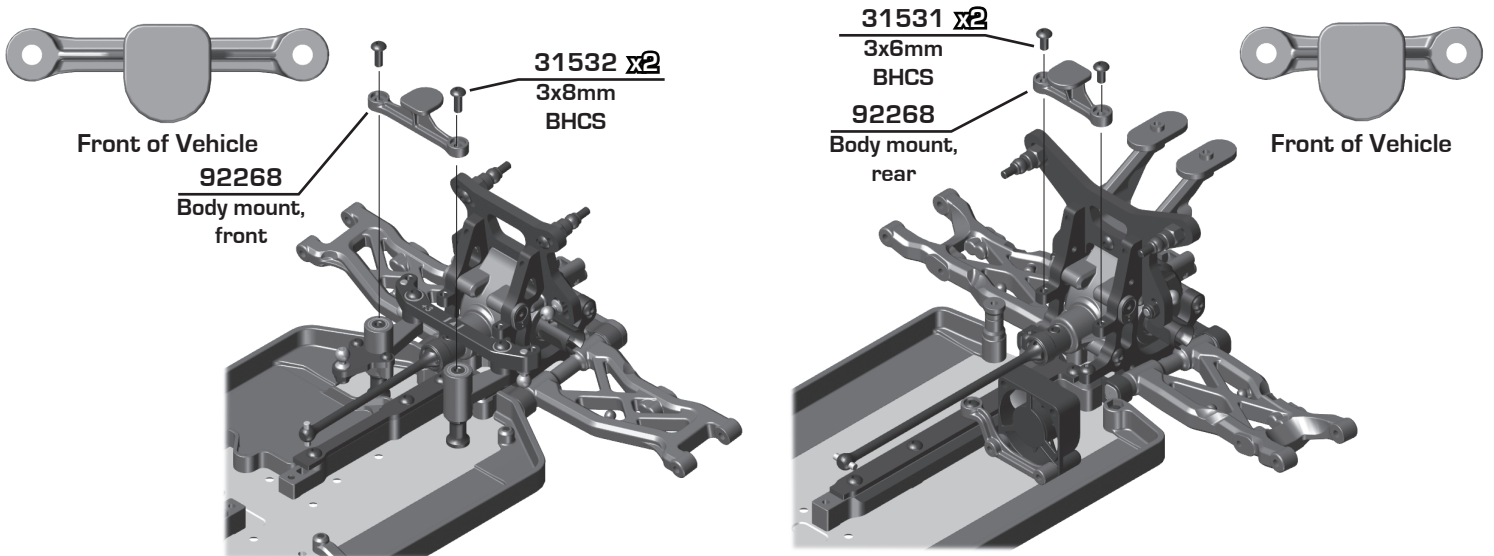
:: Bag 6 - Step 2



:: Bag 6 - Step 3



:: Bag 6 - Step 4

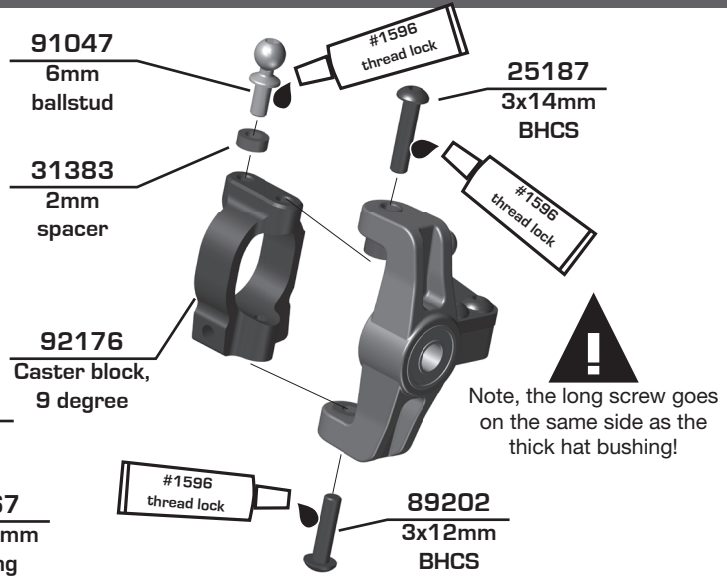
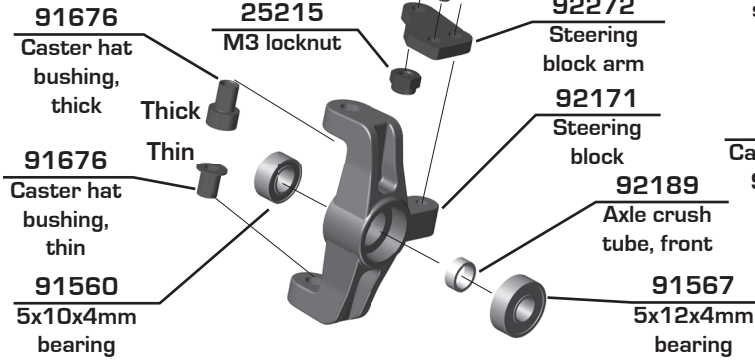




**:: Bag 7 - Step 1**

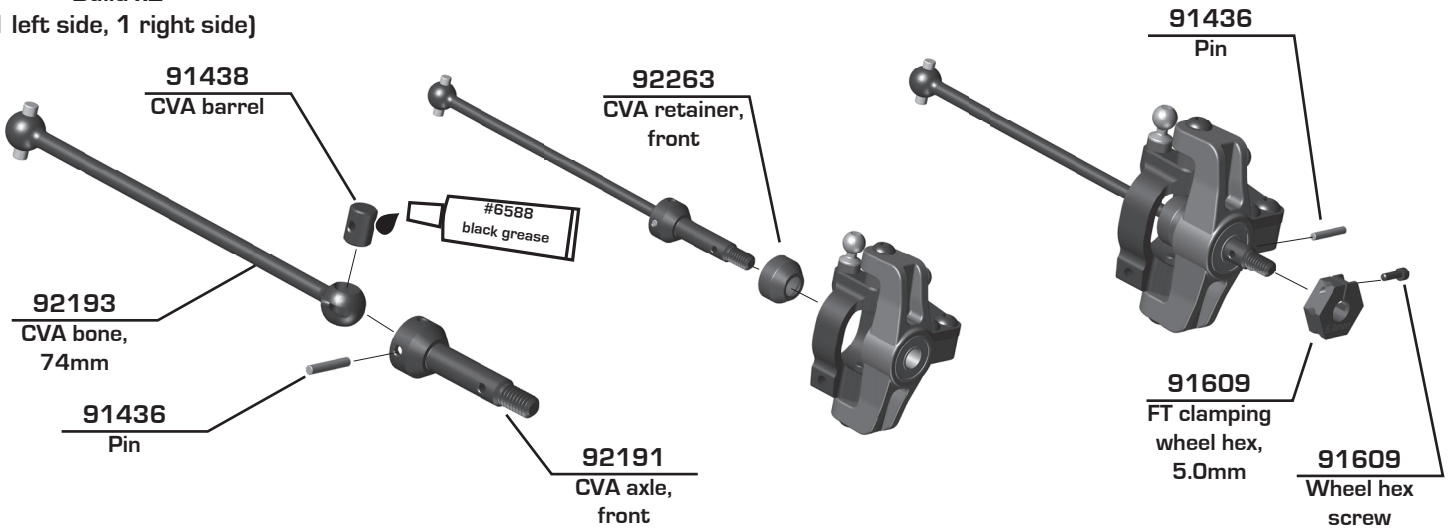
Build x2  
(1 left side, 1 right side)

**!**  
Caster hat bushings found  
in Tuning Parts Bag

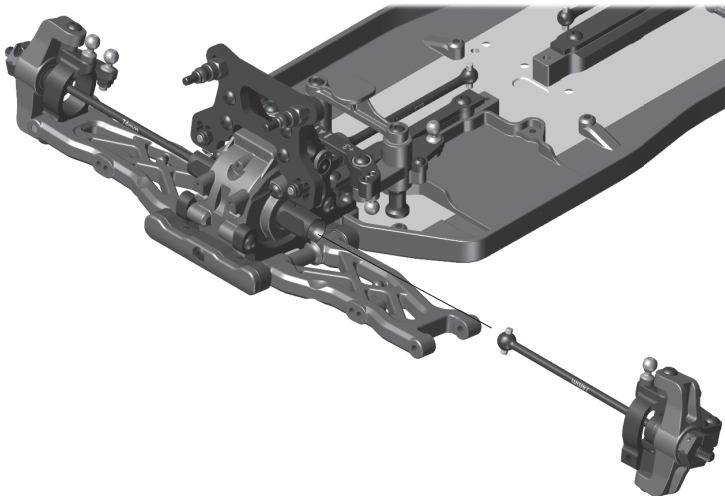


**:: Bag 7 - Step 2**

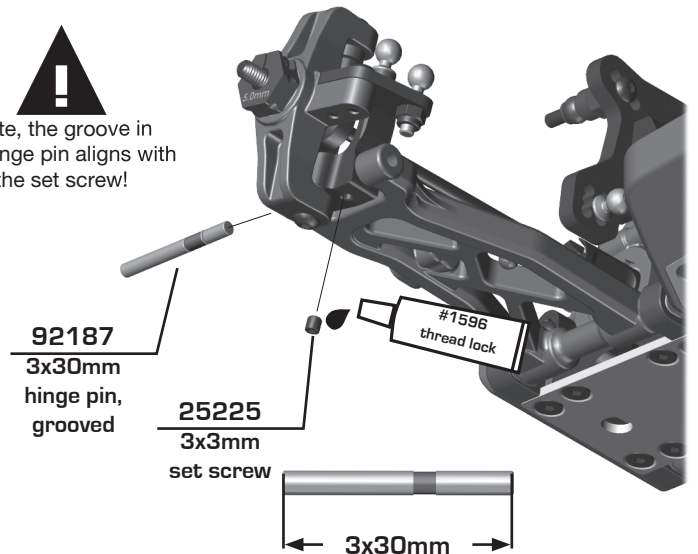
Build x2  
(1 left side, 1 right side)



**:: Bag 7 - Step 3**



**!**  
Note, the groove in  
the hinge pin aligns with  
the set screw!



Bag 8 - Step 1

| Rear Axle Height |         |      |
|------------------|---------|------|
|                  | ↓ 0 3 ↑ | +3mm |
|                  | ↓ 1 2 ↑ | +2mm |
|                  | ↑ 1 2 ↓ | +1mm |
|                  | ↑ 0 3 ↓ | +0mm |

Bag 8 - Step 2

Build x2  
(1 left side, 1 right side)

Clamping hex found in Tuning Parts Bag

Bag 8 - Step 3

Build x2  
(1 left side, 1 right side)

Do not overtighten after threads stop

Bag 9 - Step 1

SERVO LINK

Set this aside for installation when you install the servo!

15mm

:: Bag 9 - Step 2

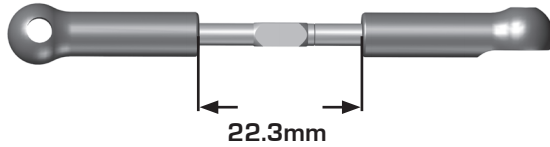


91722 x2  
Ballcup,  
straight

92027  
3x42mm  
turnbuckle

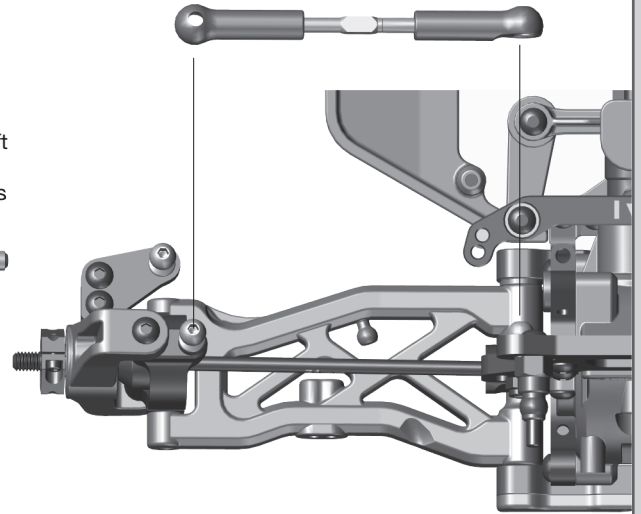


Orient the notch to the left throughout the car. It indicates which end has the left hand threads!

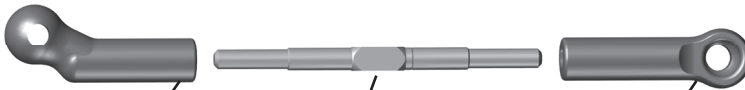


22.3mm

Build x2 (1 left side, 1 right side)



:: Bag 9 - Step 3



91722  
Ballcup,  
curved

92027  
3x42mm  
turnbuckle

91722  
Ballcup,  
straight



Orient the notch to the left throughout the car. It indicates which end has the left hand threads!



Left

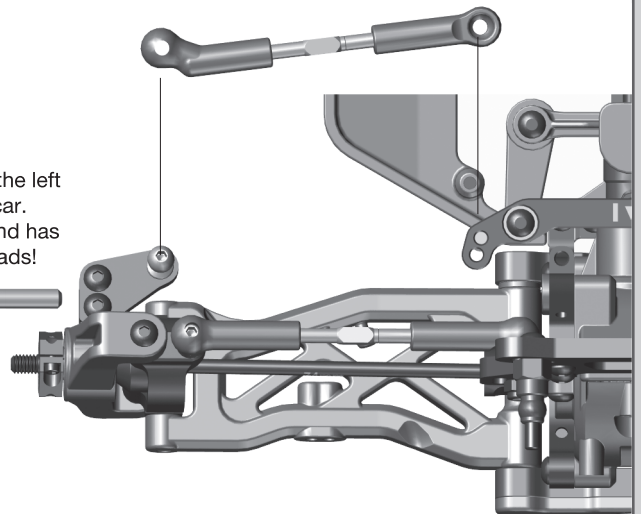


Right



20.8mm

Build x2 (1 left side, 1 right side)



:: Bag 9 - Step 4



91722 x2  
Ballcup,  
straight

4404  
3x45mm  
turnbuckle

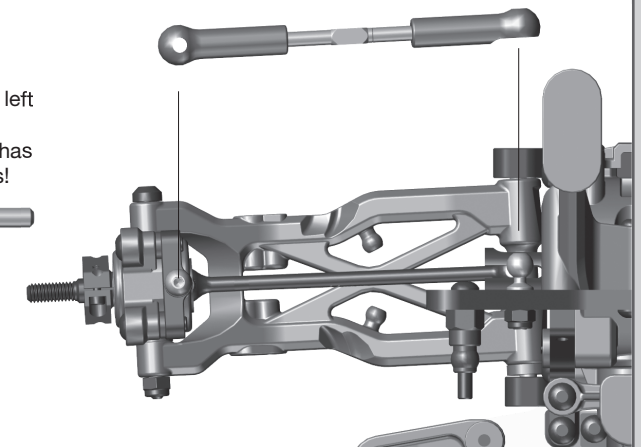


Orient the notch to the left throughout the car. It indicates which end has the left hand threads!



25.2mm

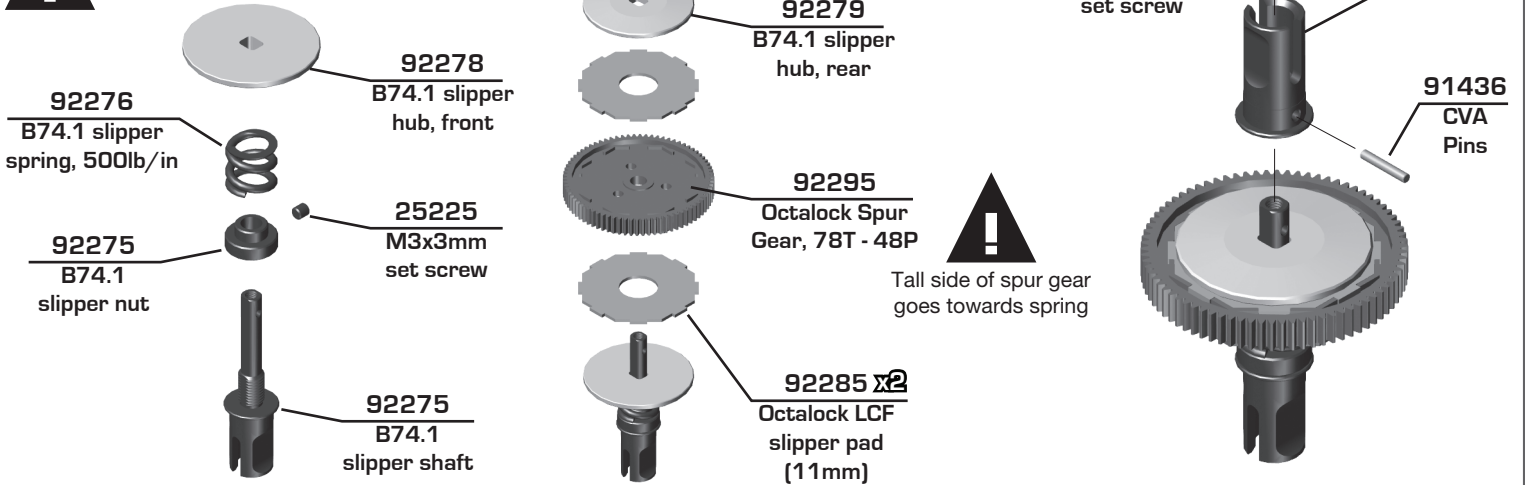
Build x2 (1 left side, 1 right side)



**:: Bag 10 - Step 1**



Screw set screw in 1/2 of the depth, use it to lock nut into final setting.

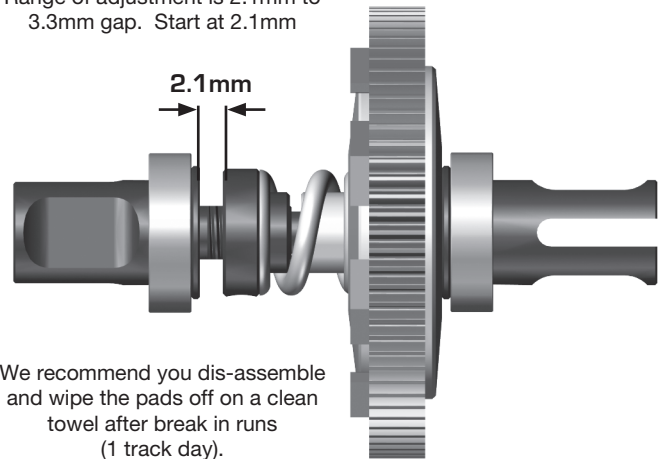


Tall side of spur gear goes towards spring

**:: Bag 10 - Step 2**

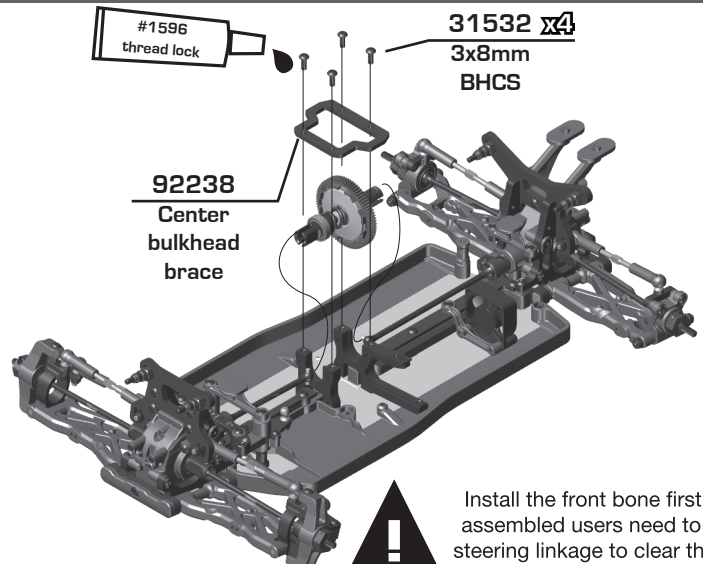
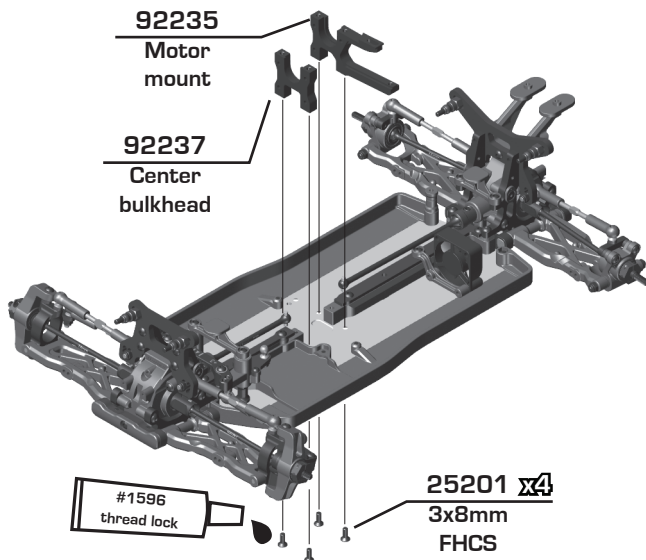


Range of adjustment is 2.1mm to 3.3mm gap. Start at 2.1mm



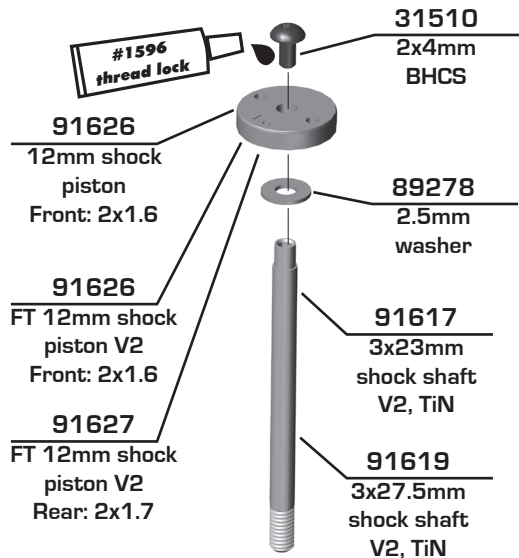
We recommend you dis-assemble and wipe the pads off on a clean towel after break in runs (1 track day).

**:: Bag 10 - Step 3**



Install the front bone first. When assembled users need to shift the steering linkage to clear the ballcup

**:: Bag 11 - Step 1**



**!**  
Mount the shock pistons with the number facing up!

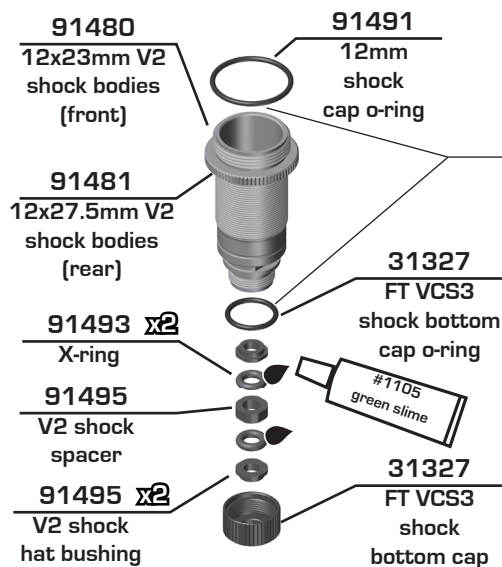


Racers Tip:

Use a marker over the numbers on the pistons to make them easily visible!



**:: Bag 11 - Step 2**



**!**  
Lightly rub shock oil on the o-rings before installation!



Racers Tip:

Coating the o-rings with green slime (#1105) helps seal & reduce o-ring swell! Green slime not included in kit!

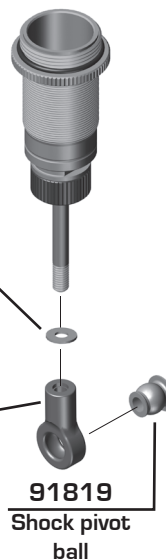


There is a short and long (+2mm) shock eyelet.

Spacer (external)  
Front: 2  
Rear: 1

4187 Nylon spacer

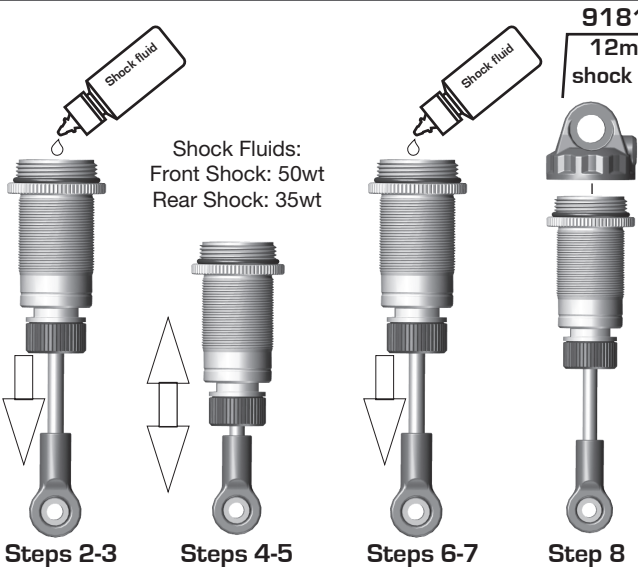
91721 Shock eyelet  
Front: Long  
Rear: Long



91819 Shock pivot ball

Short / Long (+2mm)

**:: Bag 11 - Step 3**

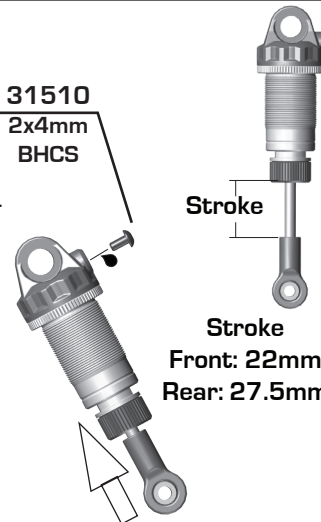


**91814 Shock Bleeding Steps:**

12mm shock cap

1. Before assembly, get each bleed screw and thread it 1-2 turns into the shock cap, then remove the screw. This will make it easier when you are bleeding your shocks.
2. Pull shock shaft down.
3. Fill shock body 3/4 full with silicone shock fluid.
4. Slowly move the shock shaft up and down to remove air from under the piston.
5. Wait for bubbles to come to surface.
6. Fill shock body to top with silicone shock fluid.
7. Place a drop of oil in the cap and on cap threads.
8. Install cap (without bleed screw) and tighten completely.
9. Slowly compress shaft all the way to bleed excess silicone shock fluid out the hole in the cap (use rag around shock to catch excess fluid).
10. Install M2x4mm button head screw until snug while shaft is fully compressed.

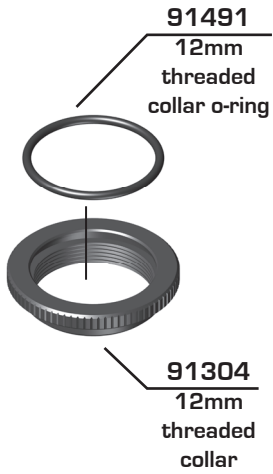
31510 2x4mm BHCS



Steps 9-10

Stroke  
Front: 22mm  
Rear: 27.5mm

:: Bag 11 - Step 4

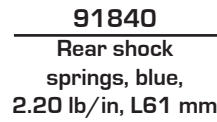
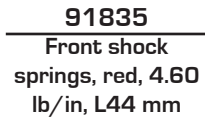


Build x4

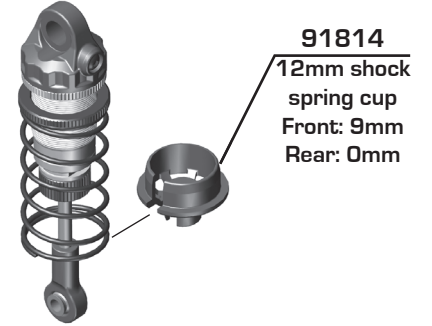
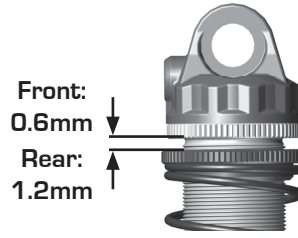


Racers Tip:

Use your finger to rub shock oil on the o-ring for smoother adjustment!

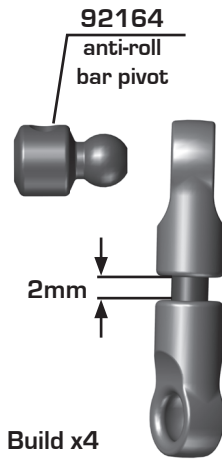
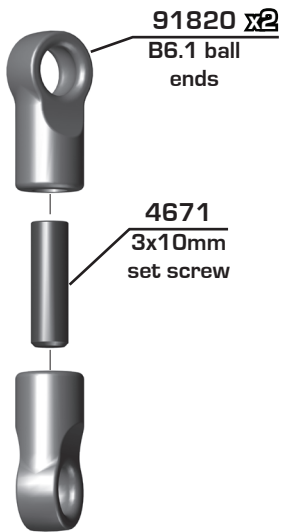


#91814 12mm Shock Spring Cups  
0mm 5mm 9mm

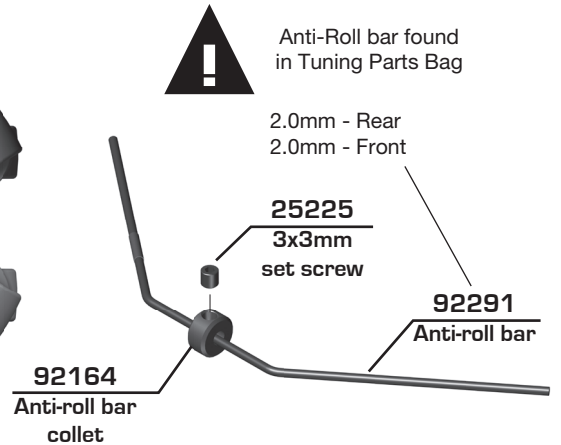
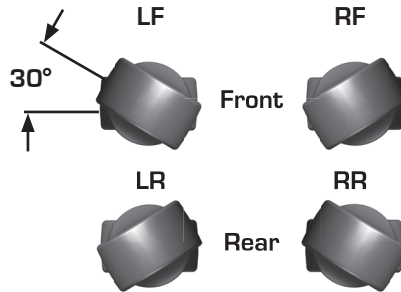


Build x2 front and x2 rear shocks

:: Bag 12 - Step 1



Build x4



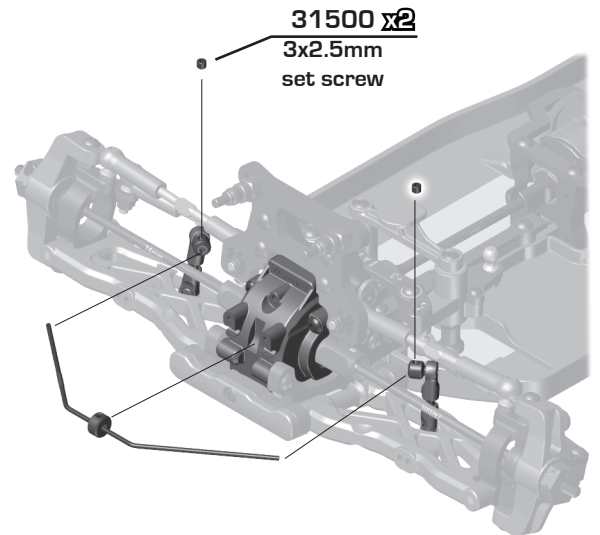
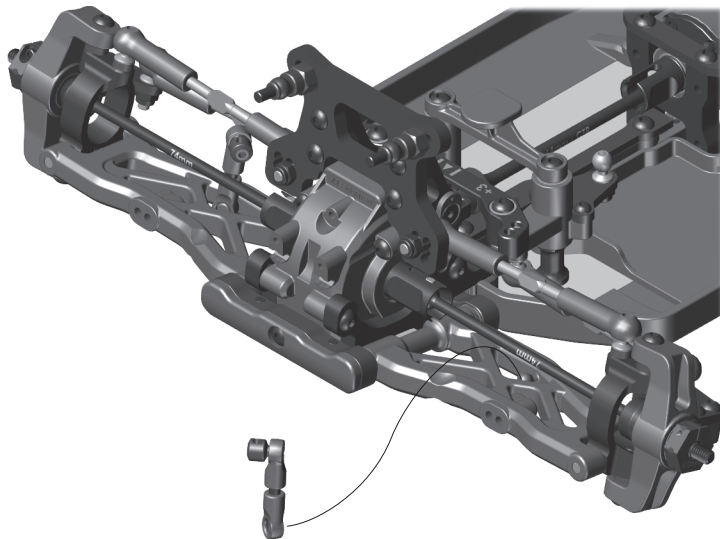
Anti-Roll bar found in Tuning Parts Bag

2.0mm - Rear  
2.0mm - Front



Put this screw at 45° angle so you can easily access the screw while the bar is installed.

:: Bag 12 - Step 2



:: Bag 12 - Step 3

2mm

92151  
Gearbox  
anti-roll bar  
cap

31511 **x2**  
2x5mm  
SHCS

89219 **x2**  
3x5mm  
set screw

Front view, the linkage  
pivot should sit directly  
above the pivot on the arm.

Do not overtighten the set screws.  
Anti-roll bar should pivot freely.

:: Bag 12 - Step 4

31500 **x2**  
3x2.5mm  
set screw

:: Bag 12 - Step 3

0mm/flush

92151  
Gearbox  
anti-roll bar  
cap

31511 **x2**  
2x5mm  
SHCS

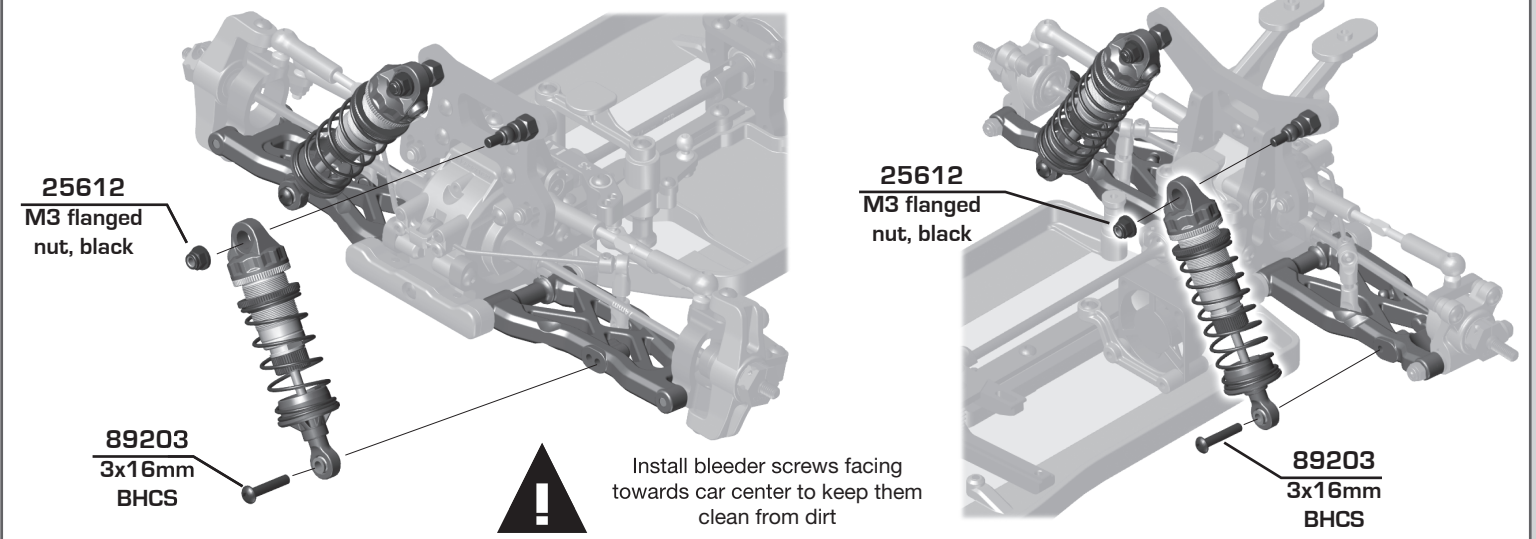
89219 **x2**  
3x5mm  
set screw

Front view, the linkage  
pivot should sit directly  
above the pivot on the arm.

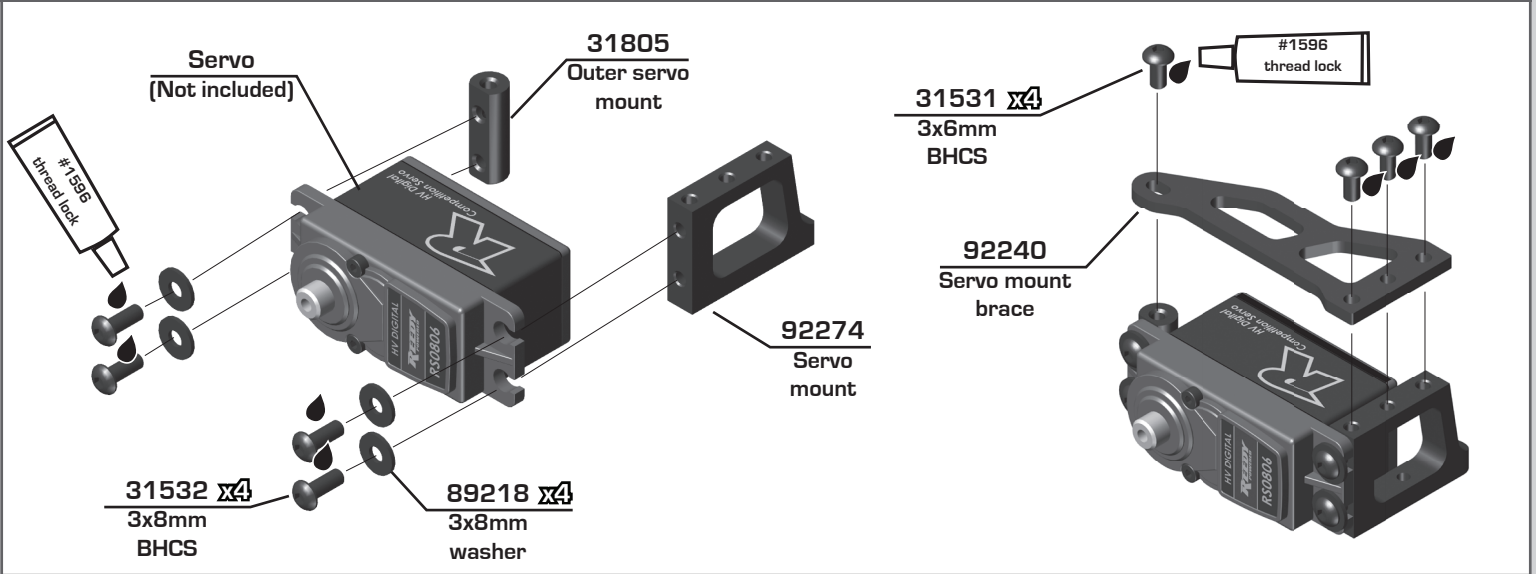
Do not overtighten the set screws.  
Anti-roll bar should pivot freely.

:: Bag 13 - Step 1

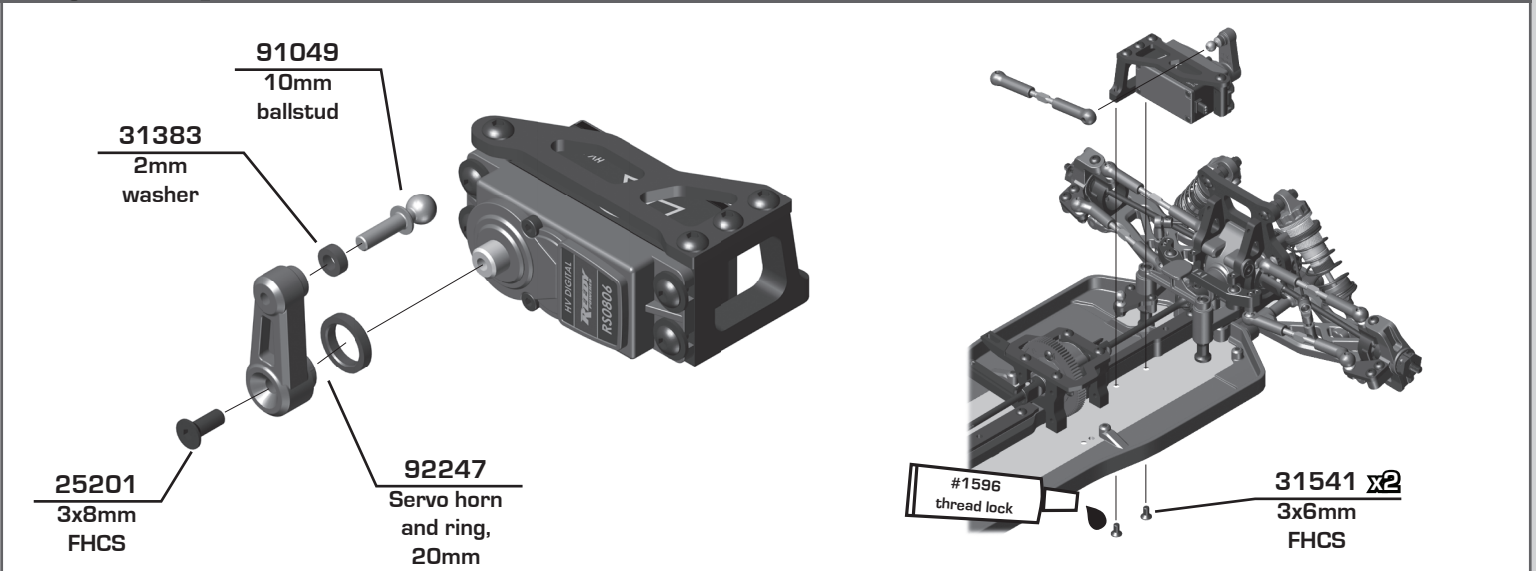
Install x2 front and x2 rear shocks



:: Bag 13 - Step 2

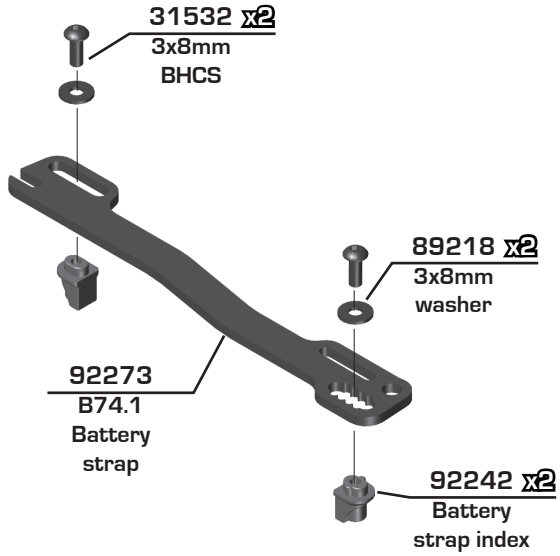


:: Bag 13 - Step 3





**:: Bag 13 - Step 4**



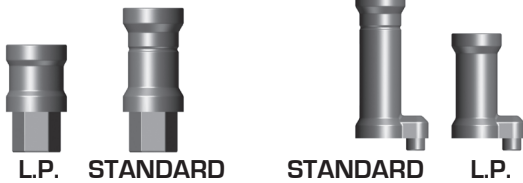
**!**  
Adjust the rear index to fit  
your battery length.



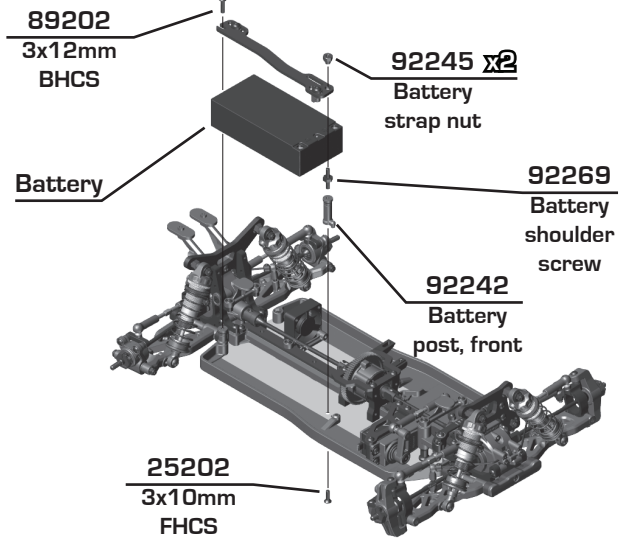
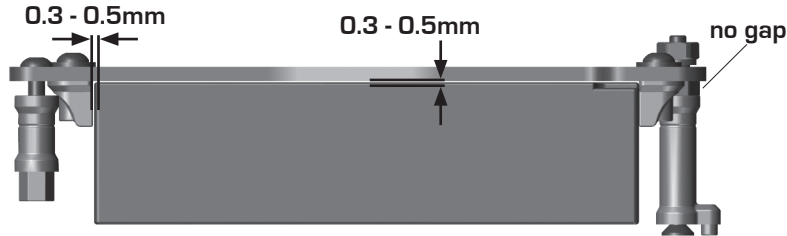
**:: Bag 13 - Step 5**

REAR POST

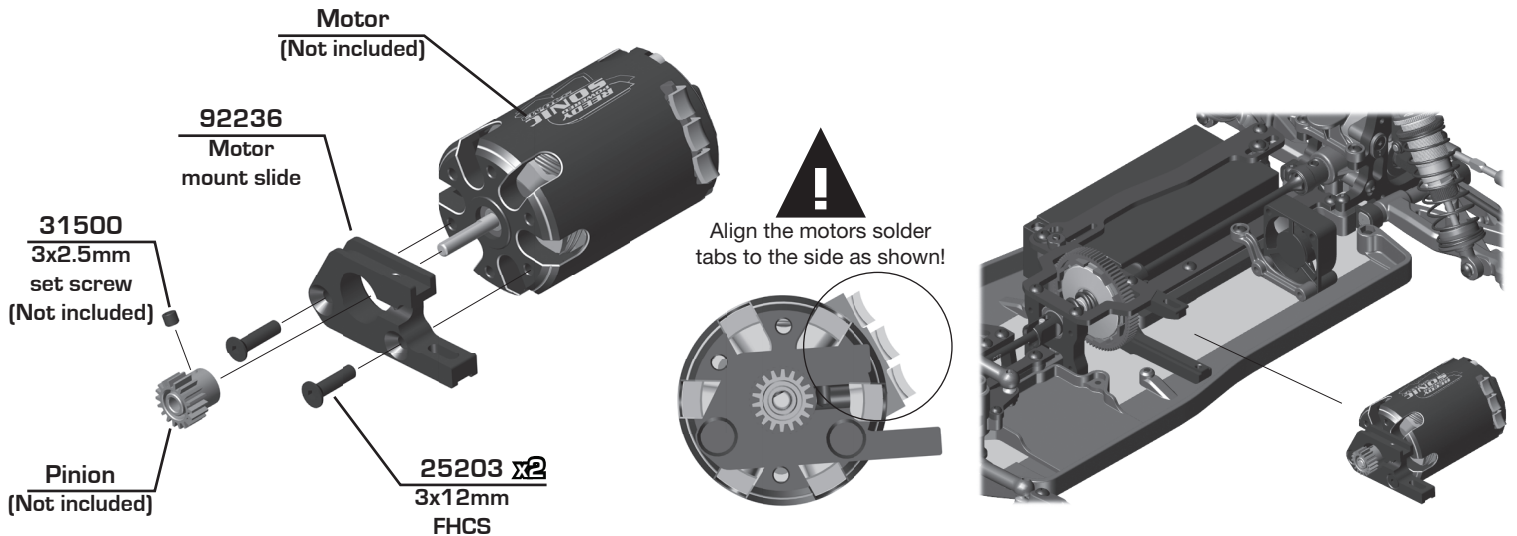
FRONT POST



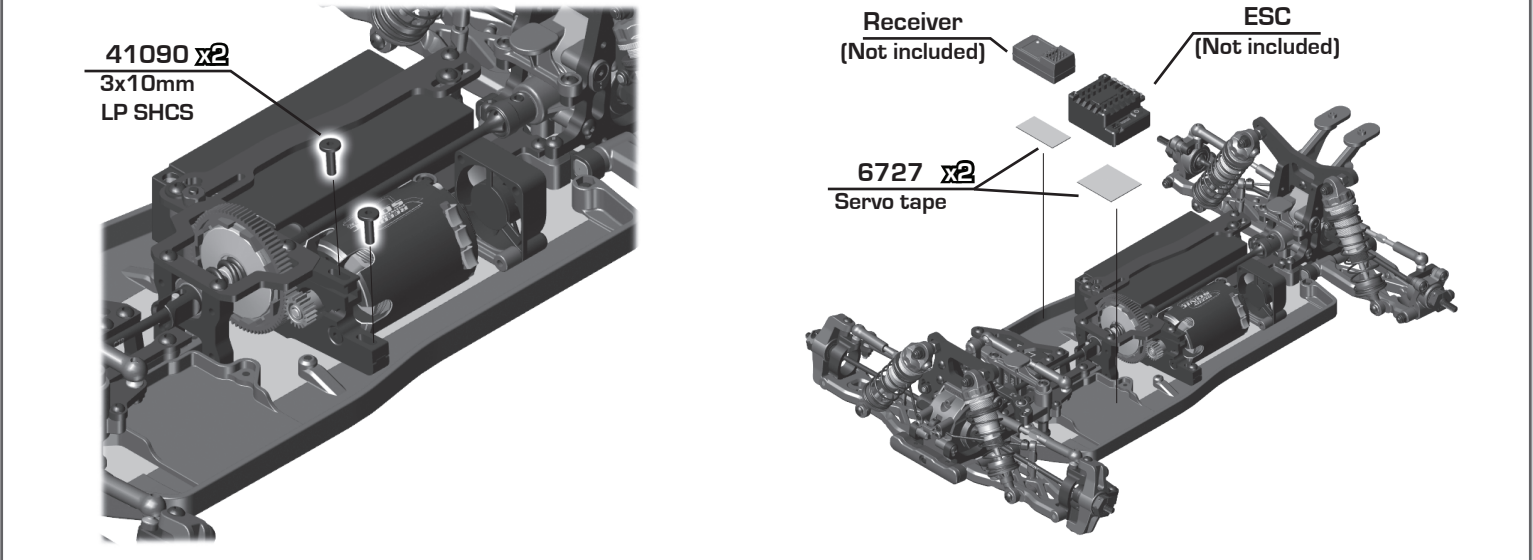
**!**  
Adjust height of rear screw as shown  
(do not clamp battery)



**:: Bag 13 - Step 6**



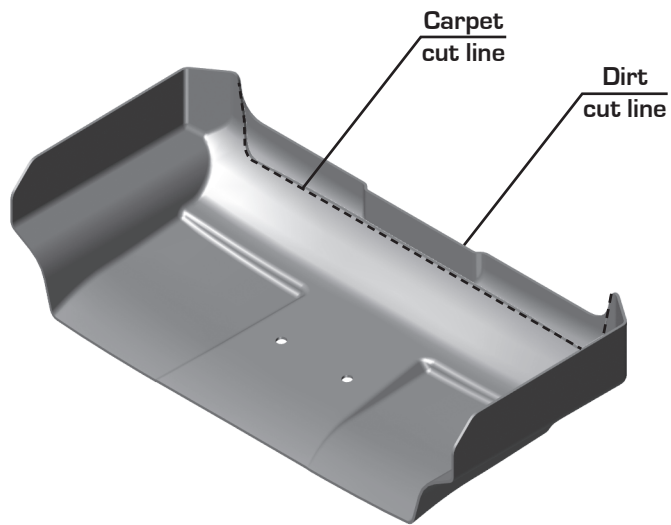
:: Bag 13 - Step 7



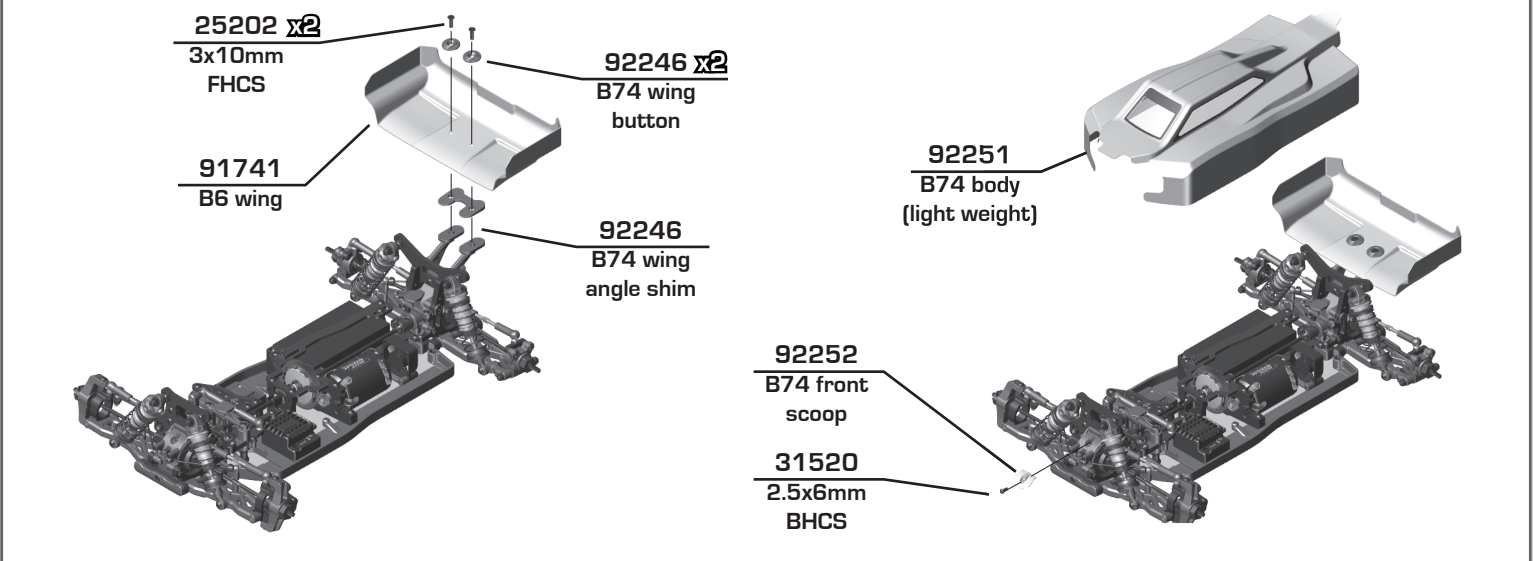
:: Bag 13 - Step 8



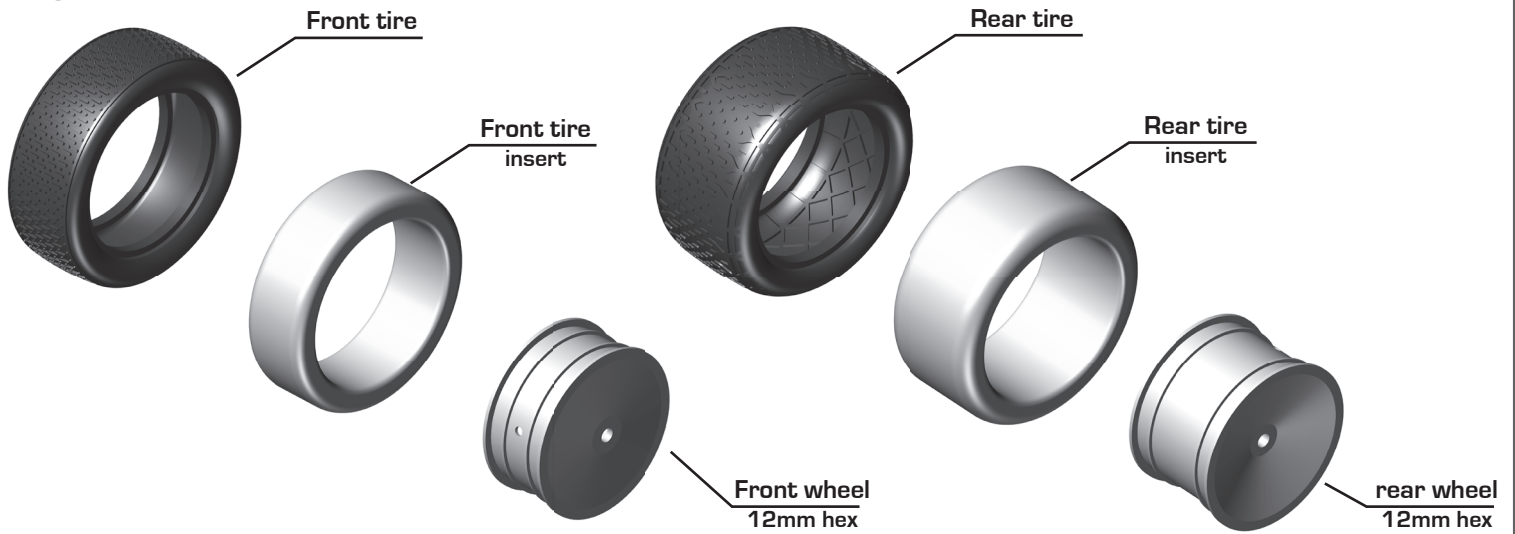
There are two cut line options on the rear wings. The lower one is for carpet setup, the higher one is for dirt setup.



:: Bag 13 - Step 9

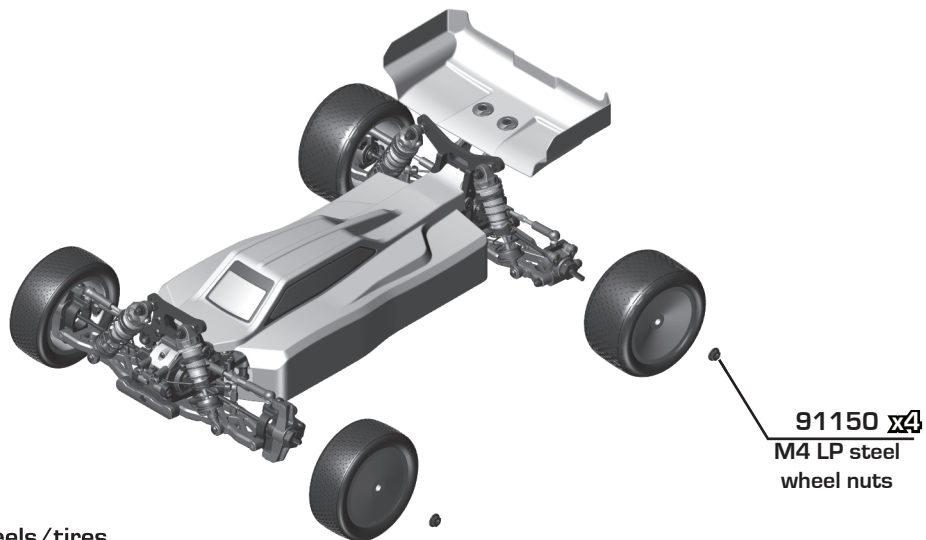


### :: Bag 13 - Step 10



Build x2 front and x2 rear wheels/tires

### :: Bag 13 - Step 11



Install x2 front and x2 rear wheels/tires

### :: Tuning Tips - Painting, Beginners

#### Painting:

Your Kit requires a clear polycarbonate body. You will need to prep the body before you can paint it. Wash the INSIDE thoroughly with warm water and liquid detergent (do not use any detergents with scents or added hand lotion ingredients!). Dry the body using a clean, soft, lint-free cloth. Use the supplied window masks to cover the windows from the INSIDE of the body (RC bodies get painted on the inside). Using high quality masking tape, apply tape to the inside of the body to create a design. Spray (use either rattle can or airbrush) the paint on the inside of the body (preferably dark colors first, lighter colors last). NOTE: ONLY use paint that is recommended for (polycarbonate) plastics. If you do not, you can destroy the body! After the paint has completely dried (usually after 24 hours), cut the body along the trim lines. Make sure to drill or use a body reamer to make the holes for the antenna if needed! Use hook and loop tape to secure the body to the side rails of the vehicle.

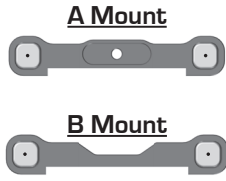
#### Tips for Beginners:

Before making any changes to the standard setup, make sure you can get around the track without crashing. Changes to your vehicle will not be beneficial if you can't stay on the track. Your goal is consistent laps. Once you can get around the track consistently, start tuning your vehicle. Make only ONE adjustment at a time, testing it before making another change. If the result of your adjustment is a faster lap, mark the change on the included setup sheet (make additional copies of the sheet before writing on it). If your adjustment results in a slower lap, revert back to the previous setup and try another change. When you are satisfied with your vehicle, fill in the setup sheet thoroughly and file it away. Use this as a guide for future track days or conditions. Periodically check all moving suspension parts. Suspension components must be kept clean and move freely without binding to prevent poor and/or inconsistent handling.

## :: Tuning Tips - Front Arm Mount Pill Insert Setups

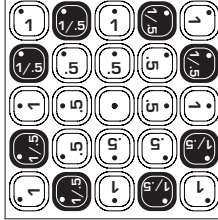
### Standard Position

Use this position as a reference when changing pill locations.

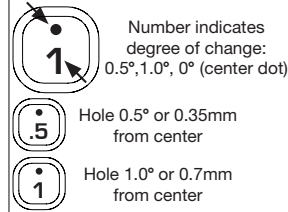


Kick-up: 8°  
Roll Center: +0  
Pin Width: +0

### Possible Insert Locations



### Insert Hole Locations



The aluminum front arm mounts utilize eccentric pill inserts to make fine adjustments to kick-up, pin height, and pin width. Adjustments can be made using the supplied inserts (#92014)

**Pin Width**  
More distance = wider pivot  
Less distance = narrower pivot

| A Mount | B Mount |          |
|---------|---------|----------|
|         |         | = +1.4mm |
|         |         | = +0.7mm |
|         |         | = 0mm    |
|         |         | = -0.7mm |
|         |         | = -1.4mm |

**Pin Height**  
Higher pin = Higher roll center  
Lower Pin = Lower roll center

| A Mount | B Mount |           |
|---------|---------|-----------|
|         |         | = +0.7mm  |
|         |         | = +0.35mm |
|         |         | = 0mm     |
|         |         | = -0.35mm |
|         |         | = -0.7mm  |

### Kick Up

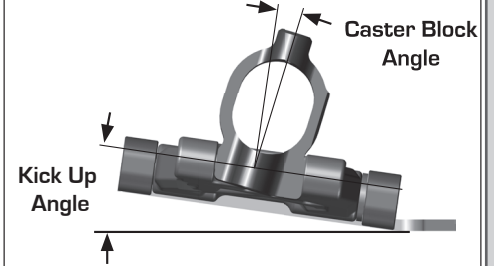
More angle = More kick up  
Less angle = Less kick up



| A Mount | B Mount |       |
|---------|---------|-------|
|         |         | = 8°  |
|         |         | = 7°  |
|         |         | = 6°  |
|         |         | = 9°  |
|         |         | = 8°  |
|         |         | = 7°  |
|         |         | = 10° |
|         |         | = 9°  |
|         |         | = 8°  |

### Total Caster Angle

Total caster angle is the sum of the kick up angle and the caster block angle.

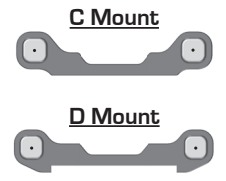


| Caster Block Angle | Kick Up Angle |     |     |     |     |
|--------------------|---------------|-----|-----|-----|-----|
|                    | 6°            | 7°  | 8°  | 9°  | 10° |
| 8°                 | 14°           | 15° | 16° | 17° | 18° |
| 9°                 | 15°           | 16° | 17° | 18° | 19° |
| 10°                | 16°           | 17° | 18° | 19° | 20° |

## :: Tuning Tips - Rear Arm Mount Pill Insert Setups

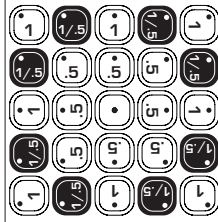
### Standard Position

Use this position as a reference when changing pill locations.

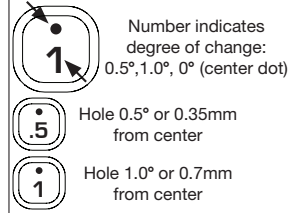


Toe: 3°  
Anti-Squat: 2°  
Roll Center: +0  
Pin Width: +0

### Possible Insert Locations



### Insert Hole Locations



The aluminum front arm mounts utilize eccentric pill inserts to make fine adjustments to kick-up, pin height, and pin width. Adjustments can be made using the supplied inserts (#92014)

**Pin Width**  
More distance = wider pivot  
Less distance = narrower pivot

| C Mount | D Mount |          |
|---------|---------|----------|
|         |         | = +1.4mm |
|         |         | = +0.7mm |
|         |         | = 0mm    |
|         |         | = -0.7mm |
|         |         | = -1.4mm |

**Pin Height**  
Higher pin = Higher roll center  
Lower Pin = Lower roll center

| C Mount | D Mount |           |
|---------|---------|-----------|
|         |         | = +0.7mm  |
|         |         | = +0.35mm |
|         |         | = 0mm     |
|         |         | = -0.35mm |
|         |         | = -0.7mm  |

### Anti-Squat Angle

More angle = More anti-squat  
Less angle = Less anti-squat



| C Mount | D Mount |      |
|---------|---------|------|
|         |         | = 2° |
|         |         | = 1° |
|         |         | = 0° |
|         |         | = 3° |
|         |         | = 2° |
|         |         | = 1° |
|         |         | = 4° |
|         |         | = 3° |
|         |         | = 2° |

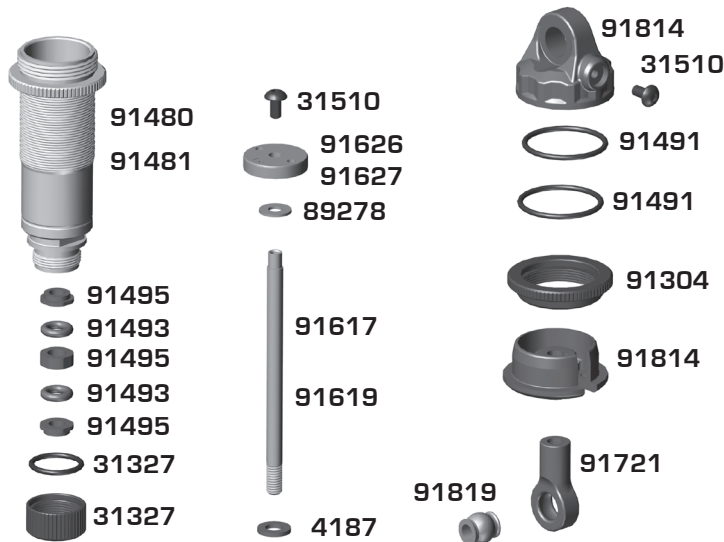
### Toe Angle

More angle = More toe in  
Less angle = Less toe in  
Shown in 1° changes

| C Mount | D Mount |      |
|---------|---------|------|
|         |         | = 3° |
|         |         | = 4° |
|         |         | = 5° |
|         |         | = 2° |
|         |         | = 3° |
|         |         | = 4° |
|         |         | = 1° |
|         |         | = 2° |
|         |         | = 3° |

**:: Shocks**

|       |                                     |    |
|-------|-------------------------------------|----|
| 4187  | Nylon Spacer, 1/32                  | 12 |
| 31327 | FT VCS3 Shock Bottom Caps           | 2  |
| 31510 | M2x4mm BHCS                         | 10 |
| 89278 | M2.6x6mm Washer                     | 20 |
| 91304 | FT 12mm Threaded Collars            | 2  |
| 91480 | 12x23mm V2 Shock Bodies             | 2  |
| 91481 | 12x27.5mm V2 Shock Bodies           | 2  |
| 91491 | 12mm V2 Shock Rebuild Kit           | 1  |
| 91617 | 3x23mm V2 Shock Shaft, TiN          | 2  |
| 91619 | 3x27.5mm V2 Shock Shaft, TiN        | 2  |
| 91626 | FT 12 mm Pistons V2, 2x1.6 mm, flat | 4  |
| 91627 | FT 12 mm Pistons V2, 2x1.7 mm, flat | 4  |
| 91721 | B6 Shock Eyelets, Set               | 1  |
| 91814 | B6.1 Shock Caps and Spring Cups Set | 1  |
| 91819 | B6.1 Shock Pivot Balls              | 4  |



**:: FT Options - Shocks**

|       |   |   |
|-------|---|---|
| 91493 | FT Low Friction X-Rings   | 4 |
| 91494 | FT 12 mm Machined Shock Spacers, V2                                     | 1 |
| 91495 | FT 12mm V2 X-Ring Rebuild Kit   | 1 |
| 91569 | FT 12x24 mm FOX(R) Shock Bodies with Genuine Kashima Coat, V2, threaded | 2 |
| 91578 | FT 12x31mm FOX(R) Shock Bodies with Genuine Kashima Coat, V2, threaded  | 2 |
| 91621 | FT 12mm Pistons, V2, 2x1.6, Thin  | 4 |
| 91622 | FT 12mm Pistons, V2, 2x1.7, Thin  | 4 |
| 91643 | FT 3x24mm V2 Shock Shaft, Chrome  | 2 |
| 91645 | FT 3x29mm V2 Shock Shaft, Chrome  | 2 |

**:: Shock Fluid**

|      |                                  |      |
|------|----------------------------------|------|
| 5420 | 10 Weight Silicone Shock Fluid   | 2oz. |
| 5421 | 20 Weight Silicone Shock Fluid   | 2oz. |
| 5422 | 30 Weight Silicone Shock Fluid   | 2oz. |
| 5423 | 40 Weight Silicone Shock Fluid   | 2oz. |
| 5424 | 22.5 Weight Silicone Shock Fluid | 2oz. |
| 5425 | 80 Weight Silicone Shock Fluid   | 2oz. |
| 5426 | 27.5 Weight Silicone Shock Fluid | 2oz. |
| 5427 | 15 Weight Silicone Shock Fluid   | 2oz. |
| 5428 | 25 Weight Silicone Shock Fluid   | 2oz. |
| 5429 | 35 Weight Silicone Shock Fluid   | 2oz. |
| 5430 | 45 Weight Silicone Shock Fluid   | 2oz. |
| 5431 | 55 Weight Silicone Shock Fluid   | 2oz. |
| 5432 | 32.5 Weight Silicone Shock Fluid | 2oz. |
| 5433 | 37.5 Weight Silicone Shock Fluid | 2oz. |
| 5434 | 42.5 Weight Silicone Shock Fluid | 2oz. |
| 5435 | 50 Weight Silicone Shock Fluid   | 2oz. |
| 5436 | 60 Weight Silicone Shock Fluid   | 2oz. |
| 5437 | 70 Weight Silicone Shock Fluid   | 2oz. |
| 5438 | 47.5 Weight Silicone Shock Fluid | 2oz. |



**:: Springs**

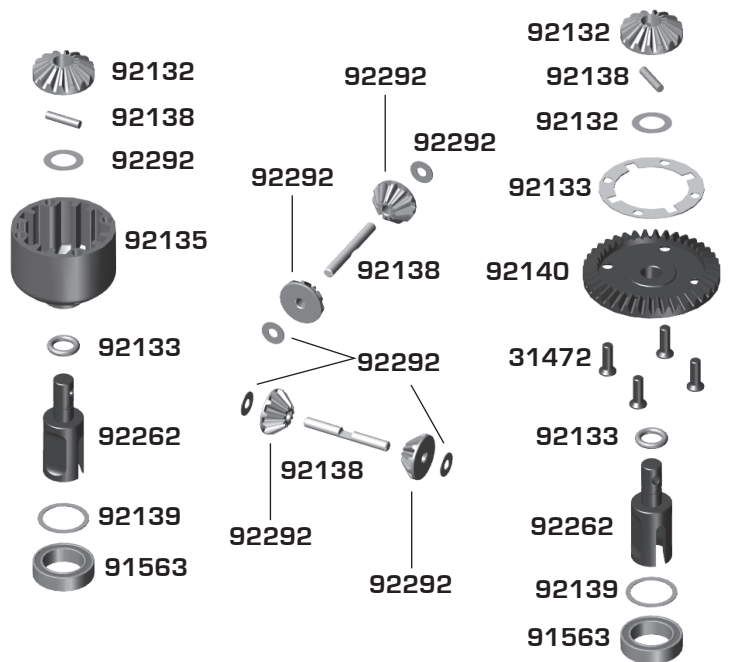
|       |   |   |
|-------|---|---|
| 91830 | Front Shock Springs, Green, 3.10 lb/in, L 44mm  | 2 |
| 91831 | Front Shock Springs, White, 3.40 lb/in, L 44mm  | 2 |
| 91832 | Front Shock Springs, Gray, 3.60 lb/in, L 44mm   | 2 |
| 91833 | Front Shock Springs, Blue, 3.90 lb/in, L 44mm   | 2 |
| 91834 | Front Shock Springs, Yellow, 4.30 lb/in, L 44mm | 2 |
| 91835 | Front Shock Springs, Red, 4.60 lb/in, L 44mm    | 2 |
| 91836 | Front Shock Springs, Orange, 5.10 lb/in, L 44mm | 2 |
| 91837 | Rear Shock Springs, Green, 1.80 lb/in, L 61mm   | 2 |
| 91838 | Rear Shock Springs, White, 1.90 lb/in, L 61mm   | 2 |
| 91839 | Rear Shock Springs, Gray, 2.00 lb/in, L 61mm    | 2 |
| 91840 | Rear Shock Springs, Blue, 2.20 lb/in, L 61mm    | 2 |
| 91841 | Rear Shock Springs, Yellow, 2.30 lb/in, L 61mm  | 2 |



91834  
91840

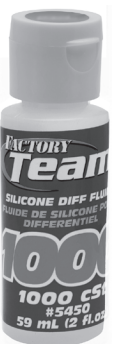
**:: Differentials**

|       |                                 |    |
|-------|---------------------------------|----|
| 31472 | M2.5x8mm FHCS                   | 10 |
| 91563 | FT Bearings, 10x15x4mm          | 4  |
| 92133 | B74 Diff Gasket and O-Rings Set | 1  |
| 92134 | B74 Diff Set (front, rear)      | 1  |
| 92135 | B74 Diff Case (front, rear)     | 1  |
| 92138 | B74 Diff Cross Pin              | 2  |
| 92139 | Diff Outdrive Shims Set         | 1  |
| 92140 | B74 Diff Ring Gear              | 1  |
| 92262 | B74 Diff Outdrives, FR/RR, 16mm | 2  |
| 92292 | B74 Gear Diff Rebuild V2        | 1  |



**:: Differential Fluid**

|      |                                  |      |
|------|----------------------------------|------|
| 5451 | Silicone Diff Fluid 2,000CST     | 2oz. |
| 5452 | Silicone Diff Fluid 3,000CST     | 2oz. |
| 5444 | Silicone Diff Fluid 4,000CST     | 2oz. |
| 5453 | Silicone Diff Fluid 5,000CST     | 2oz. |
| 5446 | Silicone Diff Fluid 6,000CST     | 2oz. |
| 5454 | Silicone Diff Fluid 7,000CST     | 2oz. |
| 5455 | Silicone Diff Fluid 10,000CST    | 2oz. |
| 5447 | Silicone Diff Fluid 15,000CST    | 2oz. |
| 5456 | Silicone Diff Fluid 20,000CST    | 2oz. |
| 5457 | Silicone Diff Fluid 30,000CST    | 2oz. |
| 5458 | Silicone Diff Fluid 60,000CST    | 2oz. |
| 5448 | Silicone Diff Fluid 80,000CST    | 2oz. |
| 5459 | Silicone Diff Fluid 100,000CST   | 2oz. |
| 5461 | Silicone Diff Fluid 200,000CST   | 2oz. |
| 5463 | Silicone Diff Fluid 500,000CST   | 2oz. |
| 5465 | Silicone Diff Fluid 1,000,000CST | 2oz. |



**:: Slipper**

|       |                                  |    |
|-------|----------------------------------|----|
| 25225 | M3 x 3mm Set Screw               | 10 |
| 91563 | FT Bearings, 10x15x4mm           | 4  |
| 92275 | B74.1 Slipper Shaft Outdrive Set | 1  |
| 92276 | Slipper Spring, 500lb/in         | 1  |
| 92277 | B74.1 Slipper Set (2-Pad)        | 1  |
| 92278 | B74.1 Slipper Hub (front)        | 1  |
| 92279 | B74.1 Slipper Hub (rear)         | 1  |
| 92281 | B74.1 3 Pad Slipper Hubs (front) | 1  |
| 92282 | B74.1 3 Pad Slipper Conversion   | 1  |
| 92285 | Octalock LCF Slipper Pad (11mm)  | 2  |
| 92286 | Octalock LCF Slipper Pad (19mm)  | 2  |
| 92288 | Octalock Slipper Pad (19mm)      | 2  |
| 92293 | Octalock Spur Gear (72T, 48P)    | 1  |
| 92294 | Octalock Spur Gear (75T, 48P)    | 1  |
| 92295 | Octalock Spur Gear (78T, 48P)    | 1  |
| 92296 | Octalock Spur Gear (81T, 48P)    | 1  |

**:: Center Diff**

|       |   |       |
|-------|---|-------|
| 31472 | M2.5 x 8mm FHCS                               | 10    |
| 31532 | M3 x 8mm BHCS                                 | 10    |
| 91563 | FT Bearings, 10x15x4mm                        | 4     |
| 92133 | B74 Diff Gasket & O-Rings Set                 | 1     |
| 92138 | B74 Diff Cross Pin                            | 2     |
| 92144 | FT B74 Diff Set, Center                       | 1     |
| 92145 | B74 Diff Case, Center                         | 1     |
| 92146 | B74 Diff Cap, Center                          | 1     |
| 92147 | B74 Diff Outdrive, Center                     | 2     |
| 92149 | B74 Center Diff Spur Gears (72T-48P, 78T-48P) | 1 ea. |
| 92292 | B74 Gear Diff Rebuild V2                      | 1     |

**:: Chassis and Arm Mounts**

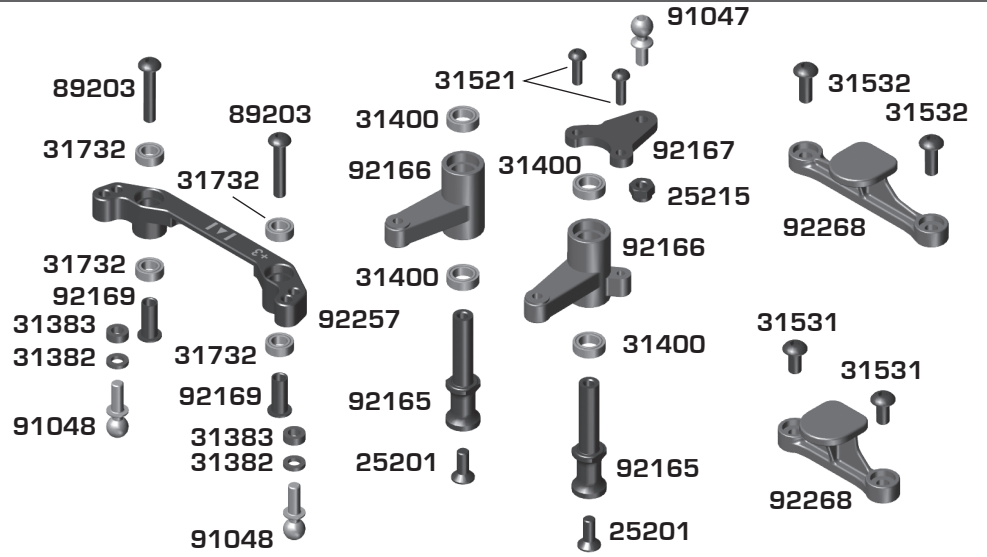
|       |                         |     |
|-------|-------------------------|-----|
| 25201 | M3 x 8mm FHCS           | 10  |
| 25202 | M3 x 10mm FHCS          | 10  |
| 25211 | M3 x 10mm BHCS          | 10  |
| 25215 | M3 Locknuts             | 10  |
| 31531 | M3 x 6mm BHCS           | 10  |
| 31541 | M3 x 6mm FHCS           | 10  |
| 89203 | M3 x 16mm BHCS          | 10  |
| 92014 | Arm Mount Inserts Set   | 1   |
| 92112 | B74 Side Guards         | Pr. |
| 92121 | B74 Arm Mount, A        | 1   |
| 92122 | B74 Arm Mount, B        | 1   |
| 92242 | B74 Bumper & Post Set   | 1   |
| 92258 | B74 Chassis V2          | 1   |
| 92260 | B74.1 Arm Mount, C, LRC | 1   |
| 92261 | B74.1 Arm Mount, D, LRC | 1   |
| 92268 | ESC, Fan Mount          | 1   |

**:: Chassis Braces and Battery Brace**

|       |                                   |     |
|-------|-----------------------------------|-----|
| 25201 | M3 x 8mm FHCS                     | 10  |
| 25202 | M3 x 10mm FHCS                    | 10  |
| 31532 | M3 x 8mm BHCS                     | 10  |
| 89202 | M3 x 12mm BHCS                    | 10  |
| 89218 | M3 x 8mm Washer                   | 10  |
| 92113 | B74 Chassis Brace, (front & rear) | Pr. |
| 92242 | B74 Bumper & Post Set             | 1   |
| 92245 | B74 Battery Strap Nut             | 2   |
| 92255 | Chassis Brace Supports, G10, 2mm  | 1   |
| 92269 | Battery Tray Shoulder Screw       | 2   |
| 92273 | B74.1 Battery Strap               | 1   |

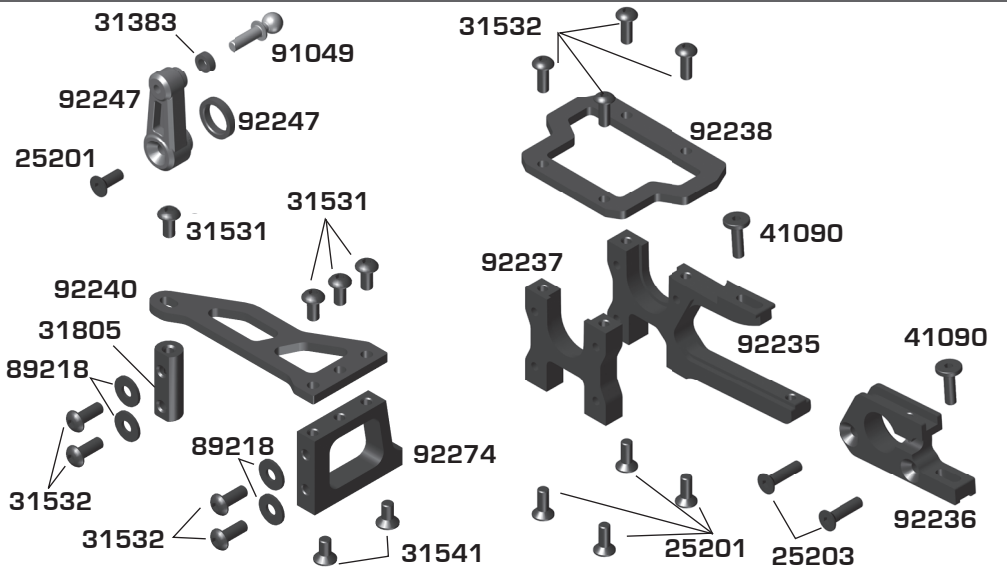
**:: Steering**

|       |                                  |       |
|-------|----------------------------------|-------|
| 25201 | M3 x 8mm FHCS                    | 10    |
| 25215 | M3 Locknuts                      | 10    |
| 31382 | 5.5 x 1mm Ballstud Washer        | 10    |
| 31383 | 5.5 x 2mm Ballstud Washer        | 10    |
| 31400 | 5x8x2.5mm Bearings               | 4     |
| 31521 | M2.5x8mm BHCS                    | 10    |
| 31531 | M3x6mm BHCS                      | 10    |
| 31532 | M3x8mm BHCS                      | 10    |
| 31732 | 4x7x2.5mm Bearings               | 4     |
| 89203 | M3x16mm BHCS                     | 10    |
| 91047 | 6mm Heavy-duty Ballstuds         | 10    |
| 91048 | 8mm Heavy-duty Ballstuds         | 10    |
| 92165 | B74 Steering Bellcrank Post      | 2     |
| 92166 | B74 Steering Bellcrank           | 1 ea. |
| 92167 | B74 Steering Bellcrank Input Arm | 1     |
| 92169 | B74 Steering Rack Hat Bushing    | 2     |
| 92257 | B74.1 Steering Rack              | 1     |
| 92268 | Body Mounts                      | 1     |



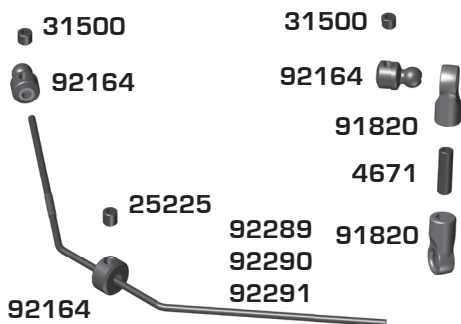
**:: Center Bulkhead and Servo Mount**

|       |                                |    |
|-------|--------------------------------|----|
| 25201 | M3 x 8mm FHCS                  | 10 |
| 25203 | M3 x 12mm FHCS                 | 10 |
| 31383 | 5.5 x 2mm Ballstud Washer      | 10 |
| 31531 | M3x6mm BHCS                    | 10 |
| 31532 | M3x8mm BHCS                    | 10 |
| 31541 | M3x6mm FHCS                    | 10 |
| 31805 | TC7.2 Outer Servo Mount, Black | 1  |
| 41090 | M3 x 10mm LP SHCS              | 10 |
| 89218 | M3 x 8mm Washer                | 10 |
| 91049 | 10mm Heavy-duty Ballstuds      | 10 |
| 92235 | B74 Motor Mount                | 1  |
| 92236 | B74 Motor Mount Slide          | 1  |
| 92237 | B74 Center Bulkhead            | 1  |
| 92238 | B74 Center Bulkhead Brace      | 1  |
| 92240 | B74 Servo Mount Brace          | 1  |
| 92247 | Servo Horns                    | 1  |
| 92274 | B74.1 Servo Mount              | 1  |



**:: Anti-Roll Bars**

|       |                                     |    |
|-------|-------------------------------------|----|
| 4671  | M3x10mm Set Screw                   | 10 |
| 25225 | M3x3mm Set Screw                    | 10 |
| 31500 | M3x2.5mm Set Screw                  | 10 |
| 91820 | B6.1 Ball Ends Set                  | 1  |
| 92164 | B74 Anti-Roll Bar Collet            | 2  |
| 92289 | B74.1 Anti-Roll Bar Set (1.0 - 1.3) | 1  |
| 92290 | B74.1 Anti-Roll Bar Set (1.4 - 1.7) | 1  |
| 92291 | B74.1 Anti-Roll Bar Set (1.8 - 2.0) | 1  |



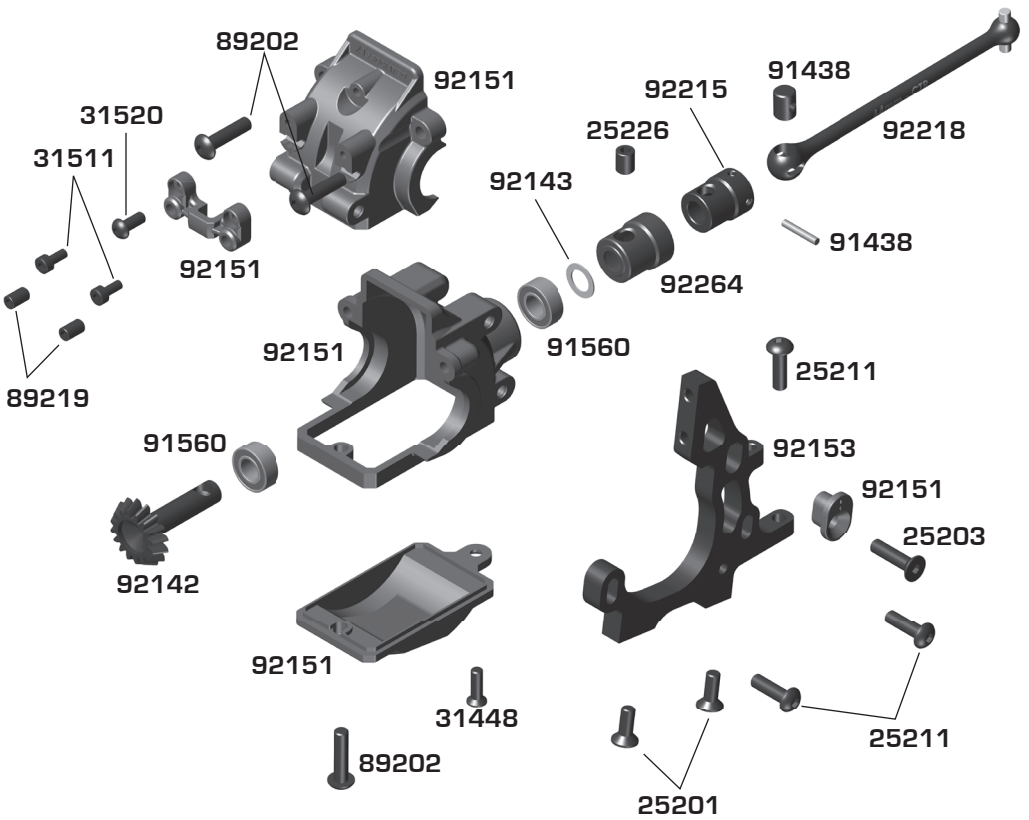
**:: Pinions**

|       |                              |    |
|-------|------------------------------|----|
| 1335  | 17T 48P Aluminum Pinion Gear | 1  |
| 1336  | 18T 48P Aluminum Pinion Gear | 1  |
| 1337  | 19T 48P Aluminum Pinion Gear | 1  |
| 1338  | 20T 48P Aluminum Pinion Gear | 1  |
| 1339  | 21T 48P Aluminum Pinion Gear | 1  |
| 1340  | 22T 48P Aluminum Pinion Gear | 1  |
| 1341  | 23T 48P Aluminum Pinion Gear | 1  |
| 1342  | 24T 48P Aluminum Pinion Gear | 1  |
| 1343  | 25T 48P Aluminum Pinion Gear | 1  |
| 1344  | 26T 48P Aluminum Pinion Gear | 1  |
| 1345  | 27T 48P Aluminum Pinion Gear | 1  |
| 1346  | 28T 48P Aluminum Pinion Gear | 1  |
| 1347  | 29T 48P Aluminum Pinion Gear | 1  |
| 1348  | 30T 48P Aluminum Pinion Gear | 1  |
| 1349  | 31T 48P Aluminum Pinion Gear | 1  |
| 1350  | 32T 48P Aluminum Pinion Gear | 1  |
| 1351  | 33T 48P Aluminum Pinion Gear | 1  |
| 1352  | 34T 48P Aluminum Pinion Gear | 1  |
| 25225 | M3 x 3mm Set Screw           | 20 |



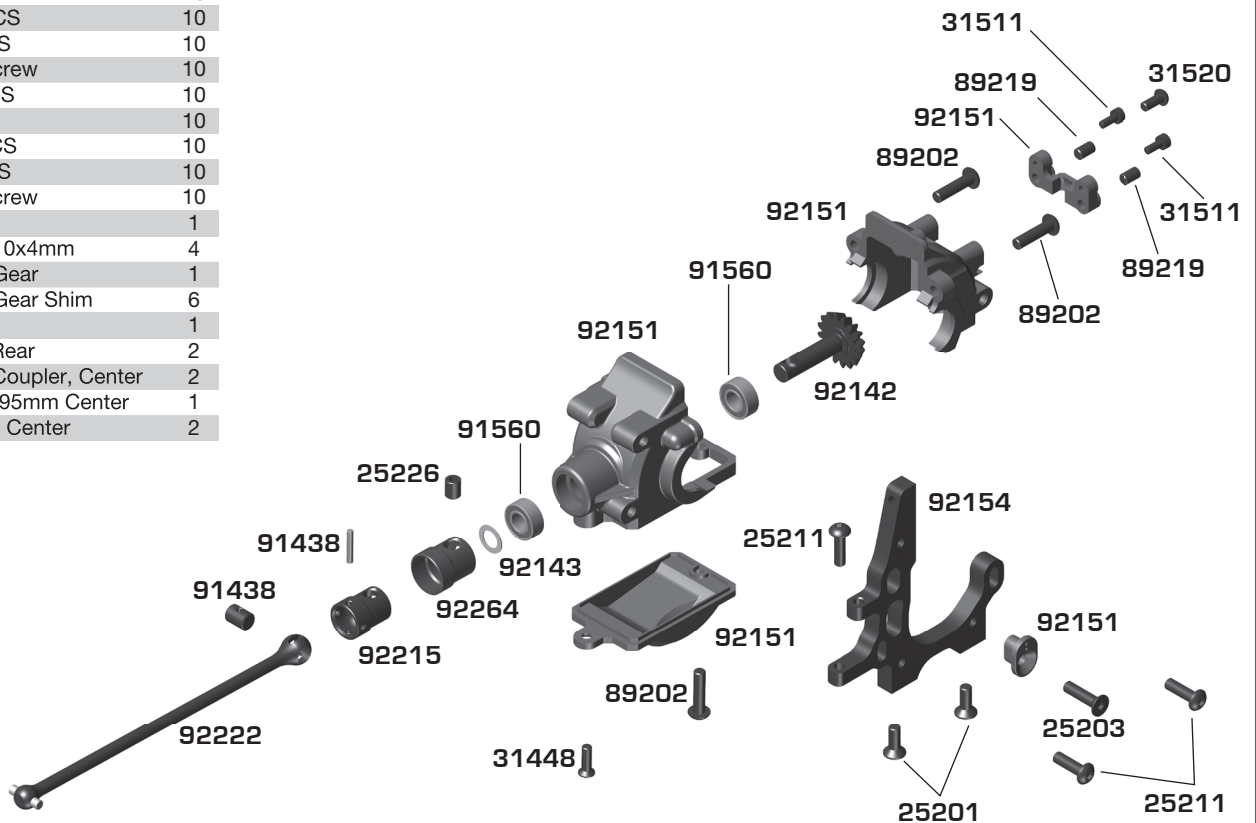
**Front Gearbox**

|       |                               |    |
|-------|-------------------------------|----|
| 25201 | M3 x 8mm FHCS                 | 10 |
| 25203 | M3 x 12mm FHCS                | 10 |
| 25211 | M3x10mm BHCS                  | 10 |
| 25226 | M4x5mm Set Screw              | 10 |
| 31448 | M2.5x8mm FHCS                 | 10 |
| 31511 | M2x5mm SHCS                   | 10 |
| 31520 | M2.5x6mm BHCS                 | 10 |
| 89202 | M3x10mm BHCS                  | 10 |
| 89219 | M3x5mm Set Screw              | 10 |
| 91438 | CVA Rebuild Kit               | 1  |
| 91560 | FT bearings, 5x10x4mm         | 4  |
| 92142 | B74 Diff Pinion Gear          | 1  |
| 92143 | B74 Diff Pinion Gear Shim     | 6  |
| 92151 | B74 Gearbox                   | 1  |
| 92153 | B74 Bulkhead, Front           | 2  |
| 92215 | B74 CVA Input Coupler, Center | 2  |
| 92218 | B74 CVA Bone, 64mm Center     | 1  |
| 92264 | B74.1 CVA Cup, Center         | 2  |



**Rear Gearbox**

|       |                               |    |
|-------|-------------------------------|----|
| 25201 | 3 x 8mm FHCS                  | 10 |
| 25203 | M3 x 12mm FHCS                | 10 |
| 25211 | M3x10mm BHCS                  | 10 |
| 25226 | M4x5mm Set Screw              | 10 |
| 31448 | M2.5x8mm FHCS                 | 10 |
| 31511 | M2x5mm SHCS                   | 10 |
| 31520 | M2.5x6mm BHCS                 | 10 |
| 89202 | M3x10mm BHCS                  | 10 |
| 89219 | M3x5mm Set Screw              | 10 |
| 91438 | CVA Rebuild Kit               | 1  |
| 91560 | FT bearings, 5x10x4mm         | 4  |
| 92142 | B74 Diff Pinion Gear          | 1  |
| 92143 | B74 Diff Pinion Gear Shim     | 6  |
| 92151 | B74 Gearbox                   | 1  |
| 92154 | B74 Bulkhead, Rear            | 2  |
| 92215 | B74 CVA Input Coupler, Center | 2  |
| 92222 | B74 CVA Bone, 95mm Center     | 1  |
| 92264 | B74.1 CVA Cup, Center         | 2  |



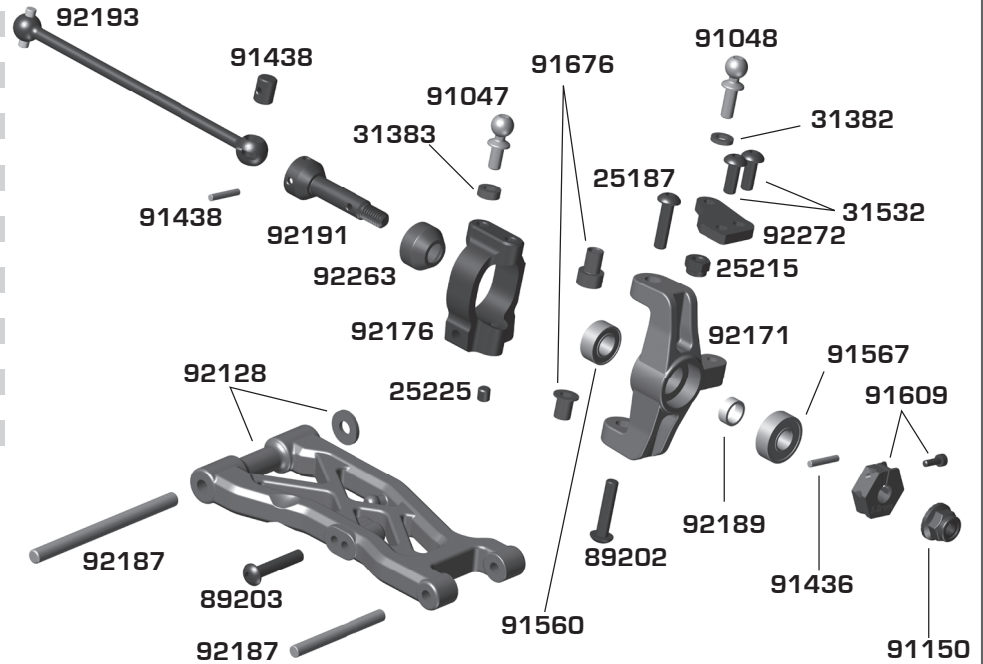


**:: Front Suspension**

|       |                                 |     |
|-------|---------------------------------|-----|
| 25187 | M3x14mm BHCS                    | 10  |
| 25215 | M3 Locknut                      | 10  |
| 25225 | M3x3mm Set Screw                | 10  |
| 31382 | 5.5 x 1mm Ballstud Washer       | 10  |
| 31383 | 5.5 x 2mm Ballstud Washer       | 10  |
| 31532 | M3x8mm BHCS                     | 10  |
| 89202 | M3x10mm BHCS                    | 10  |
| 89203 | M3x16mm BHCS                    | 10  |
| 91047 | 6mm Heavy-duty Ballstuds        | 10  |
| 91048 | 8mm Heavy-duty Ballstuds        | 10  |
| 91150 | LP Steel Serrated Wheel Nut, M4 | 10  |
| 91436 | CVA/Wheel Hex Pin               | 4   |
| 91438 | CVA Rebuild Kit                 | 1   |
| 91560 | FT bearings, 5x10x4mm           | 4   |
| 91567 | FT Bearings, 5x12x4mm           | 4   |
| 91609 | FT Clamping Wheel Hexes, 5.0mm  | 2   |
| 91676 | B6 Caster Hat Bushings Set      | 1   |
| 92128 | B74 Suspension Arm, Front       | Pr. |
| 92171 | B74 Steering Block              | Pr. |
| 92176 | B74 Caster Block, 9 degree      | Pr. |
| 92187 | B74 Hinge Pin Set               | 1   |
| 92189 | B74 Axle Crush Tube, Front      | 2   |
| 92190 | B74 CVA Set, Front              | 1   |
| 92191 | B74 CVA Axle, Front             | 2   |
| 92193 | B74 CVA Bone, 74mm              | 2   |
| 92263 | B74.1 CVA Cup, Front            | 2   |
| 92272 | B74.1 Steering Block Arm        | 2   |

**:: FT Options - Front Suspension**

|       |                                    |     |
|-------|------------------------------------|-----|
| 31633 | FT DCV Rebuild Kit                 | 1   |
| 31636 | FT DCV Coupler Tubes               | 2   |
| 92129 | FT B74 Suspension Arm, Front, HARD | Pr. |
| 92175 | FT B74 Caster Block, 8 degree      | Pr. |
| 92177 | FT B74 Caster Block, 10 degree     | Pr. |
| 92197 | B74 DCV Set, Front                 | 1   |
| 92198 | B74 DCV Axle, Front                | 2   |
| 92201 | B74 DCV Bone, 70.5mm               | 2   |

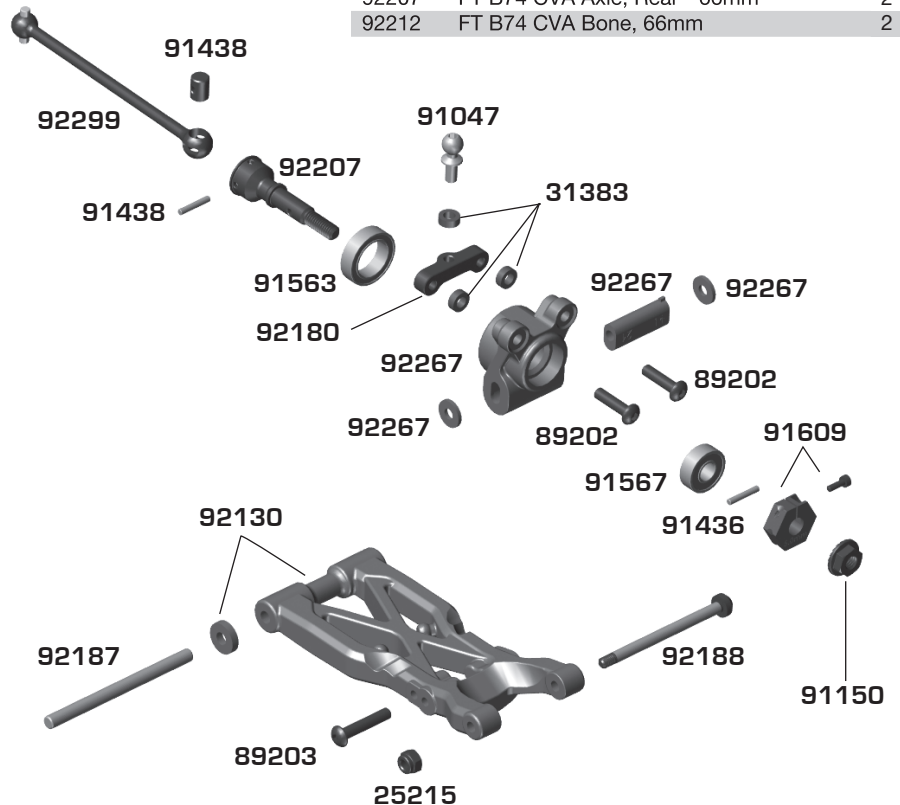


**:: Rear Suspension**

|       |  |     |
|-------|--|-----|
| 25215 | M3 Locknut                             | 10  |
| 31383 | 5.5 x 2mm Ballstud Washer              | 10  |
| 89202 | M3x12mm BHCS                           | 10  |
| 89203 | M3x16mm BHCS                           | 10  |
| 91047 | 6mm Heavy-duty Ballstuds               | 10  |
| 91150 | LP Steel Serrated Wheel Nut, M4        | 10  |
| 91436 | CVA/Wheel Hex Pin                      | 4   |
| 91438 | CVA Rebuild Kit                        | 1   |
| 91563 | FT bearings, 10x15x4mm                 | 4   |
| 91567 | FT Bearings, 5x12x4mm                  | 4   |
| 91609 | FT Clamping Wheel Hexes, 5.0mm         | 2   |
| 92130 | B74 Suspension Arm, Rear               | Pr. |
| 92131 | B74 Suspension Arm, Rear, HARD         | Pr. |
| 92180 | B74 Rear Hub Link Mount                | 2   |
| 92185 | FT B74 Graphite Rear Hub Link Shim Set | 1   |
| 92187 | B74 Hinge Pin Set                      | 1   |
| 92188 | B74 Rear Hub Hinge Pin                 | 2   |
| 92022 | B74 CVA Set, Rear                      | 1   |
| 92203 | B74 CVA Axle, Rear                     | 2   |
| 92207 | FT B74 CVA Axle, Rear - 66mm           | 2   |
| 92212 | FT B74 CVA Bone, 66mm                  | 2   |
| 92267 | B74.1 Rear Hub                         | Pr. |
| 92299 | B74 CVA Bone, 66mm                     | 2   |

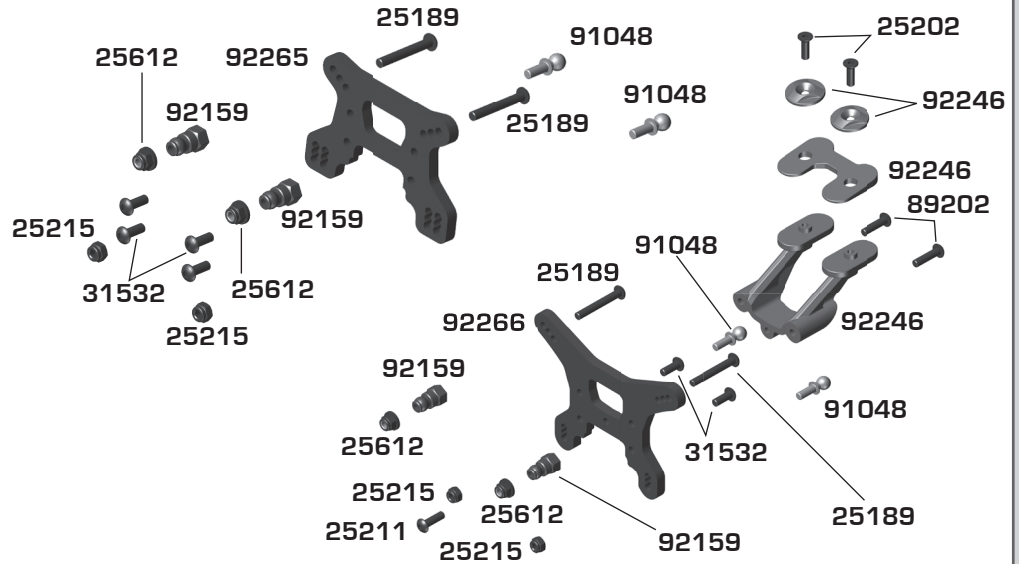
**:: FT Options - Front Suspension**

|       |  |     |
|-------|--|-----|
| 92131 | B74 Suspension Arm, Rear, HARD         | Pr. |
| 92185 | FT B74 Graphite Rear Hub Link Shim Set | 1   |
| 92207 | FT B74 CVA Axle, Rear - 66mm           | 2   |
| 92212 | FT B74 CVA Bone, 66mm                  | 2   |



**:: Front / Rear Shock Tower**

|       |                                 |    |
|-------|---------------------------------|----|
| 25189 | M3x22mm BHCS                    | 10 |
| 25202 | M3x10mm FHCS                    | 10 |
| 25211 | M3x10mm BHCS                    | 10 |
| 25215 | M3 Locknut                      | 10 |
| 25612 | M3 Locknut, Flanged, Black      | 10 |
| 31532 | M3x8mm BHCS                     | 10 |
| 89202 | M3x10mm BHCS                    | 10 |
| 91048 | 8mm Heavy-duty Ballstuds        | 10 |
| 92159 | B74 Shock Bushing, 10mm         | 4  |
| 92246 | B74 Wing Mount, Rear            | 1  |
| 92265 | B74.1 Shock Tower, Front, 23mm  | 1  |
| 92266 | B74.1 Shock Tower, Rear, 27.5mm | 1  |



**:: FT Options - Rear Shock Tower**

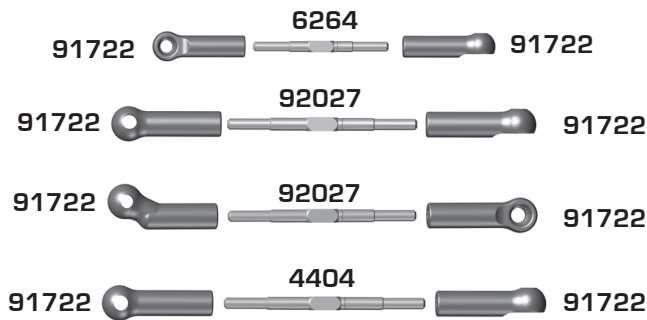
|       |                          |   |
|-------|--------------------------|---|
| 92100 | FT Aluminum Wing Buttons | 2 |
|-------|--------------------------|---|

**:: Turnbuckle Links**

|       |                           |   |
|-------|---------------------------|---|
| 4404  | 3x45mm Turnbuckle, Silver | 2 |
| 6264  | 3x35mm Turnbuckle, Silver | 2 |
| 91722 | B6 Ballcups Set           | 1 |
| 92027 | 3x42mm Turnbuckle, Silver | 2 |

**:: FT Options - Turnbuckle Links**

|      |  |   |
|------|--|---|
| 1404 | FT Titanium Turnbuckles, 45 mm, Silver | 2 |
| 1405 | FT Titanium Turnbuckles, 48 mm, Silver | 2 |
| 1413 | FT Titanium Turnbuckles, 38 mm, Silver | 2 |



**:: Body and Decals**

|       |                        |    |
|-------|------------------------|----|
| 21173 | Body Clips             | 10 |
| 91741 | B6 Wing                | 1  |
| 91743 | Adhesive Hook and Loop | 1  |
| 92109 | B74 Decal Sheet        | 1  |
| 92250 | B74 Body               | 1  |
| 92251 | B74 Body, Lightweight  | 1  |
| 92252 | B74 Front Scoop        | 1  |

**:: MyLaps Transponders**

|           |  |   |
|-----------|--|---|
| MLP10R120 | MyLaps RC4 (3-wire) Transponder            | 1 |
| MLP10R147 | MyLaps RC4 (3-wire) Pro Transponder, Black | 1 |
| MLP40R222 | MyLaps Transponder Holder                  | 1 |

**:: Wheels**

|       |  |   |
|-------|--|---|
| 9695  | Buggy Rear Wheel Hex, 12mm Hex, White      | 2 |
| 9696  | Buggy Rear Wheel Hex, 12mm Hex, Yellow     | 2 |
| 92095 | 4WD Front Wheels, 2.2 in, 12mm Hex, White  | 2 |
| 92096 | 4WD Front Wheels, 2.2 in, 12mm Hex, Yellow | 2 |

**:: Apparel / Promotional**

TEE SHIRTS

|        |  |   |
|--------|--|---|
| SP124* | AE 2017 Worlds Tee, Black (S, M, L, XL-5XL)          | 1 |
| SP126* | Team Associated Tri T-Shirt, Black (S, M, L, XL-5XL) | 1 |
| SP140* | Reedy Heritage Tee, Black (S, M, L, XL-5XL)          | 1 |
| SP200* | Element RC Logo Tee, Gray (S, M, L, XL-5XL)          | 1 |
| SP201* | Element RC Rhombus Tee, Black (S, M, L, XL-5XL)      | 1 |

HOODIES/JACKETS

|        |  |   |
|--------|--|---|
| SP142* | Reedy W19 Hoodie - Black (S, M, L, XL-3XL) | 1 |
| SP230  | Element RC Zip Up, Black (S, M, L, XL-5XL) | 1 |
| SP231  | Element RC Hoodie, Black (S, M, L, XL-5XL) | 1 |
| SP250  | Element RC Jacket, Black (S, M, L, XL-2XL) | 1 |

HATS

|       |                                    |   |
|-------|------------------------------------|---|
| SP20  | AE Patch Trucker Hat               | 1 |
| SP430 | Reedy Trucker Hat 2018             | 1 |
| SP260 | Element RC Hat, Curved Bill, Black | 1 |
| SP261 | Element RC Hat, Flat Bill, Black   | 1 |
| SP262 | Element RC Beanie, Black           | 1 |

BANNERS/MATS CARRIERS

|        |  |   |
|--------|--|---|
| SP29   | Team Associated Countertop/Setup Mat   | 1 |
| SP30   | Team Associated Pit Mat                | 1 |
| SP31   | Reedy Countertop/Setup Mat             | 1 |
| SP115  | Reedy Circuit Cloth Banner             | 1 |
| SP280  | Element RC Counter Top Mat             | 1 |
| SP281  | Element RC Pit Mat                     | 1 |
| SP282  | Element RC Pit Towel                   | 1 |
| SP425  | FT Fluid Carrier                       | 1 |
| SP426  | Team Associated Countertop / Setup Mat | 1 |
| SP427  | Reedy Countertop / Setup Mat           | 1 |
| 110684 | Team Associated Track Banner           | 1 |
| 110685 | Team Associated Cloth Banner           | 1 |

\*\* Use part number plus the desired size when ordering!

## :: Factory Team and Option Parts

|       |   |     |
|-------|---|-----|
| 1364  | FT Aluminum Servo Horn, 23T, 15.5mm                                     | 1   |
| 1366  | FT Aluminum Servo Horn, 25T, 15.5mm                                     | 1   |
| 1369  | FT Aluminum Clamping Servo Horn 23T, 15.5 mm                            | 1   |
| 1370  | FT Aluminum Clamping Servo Horn 25T, 15.5 mm                            | 1   |
| 1404  | FT Titanium Turnbuckles, 45 mm, Silver                                  | 2   |
| 1405  | FT Titanium Turnbuckles, 48 mm, Silver                                  | 2   |
| 1413  | FT Titanium Turnbuckles, 38 mm, Silver                                  | 2   |
| 31381 | Aluminum Ballstud Washers, 5.5x0.5mm                                    | 10  |
| 31382 | Aluminum Ballstud Washers, 5.5x1.0mm                                    | 10  |
| 31383 | Aluminum Ballstud Washers, 5.5x2.0mm                                    | 10  |
| 31384 | Bulkhead Washers, 7.8x0.5 mm, blue aluminum                             | 10  |
| 31385 | Bulkhead Washers, 7.8x1.0 mm, blue aluminum                             | 10  |
| 31386 | Bulkhead Washers, 7.8x2.0 mm, blue aluminum                             | 10  |
| 31633 | FT DCV Rebuild Kit  | 1   |
| 31636 | FT DCV Coupler Tubes  | 2   |
| 71014 | FT Clamping Wheel Hexes, 8.5mm  | 2   |
| 71034 | FT Clamping Wheel Hexes, 6.0mm  | 2   |
| 91493 | FT Low Friction X-Rings   | 4   |
| 91494 | FT 12mm Machined Shock Spacers, V2                                      | 1   |
| 91495 | FT 12mm V2 X-Ring Rebuild Kit   | 1   |
| 91569 | FT 12x24 mm FOX(R) Shock Bodies with Genuine Kashima Coat, V2, threaded | 2   |
| 91578 | FT 12x31mm FOX(R) Shock Bodies with Genuine Kashima Coat, V2, threaded  | 2   |
| 91580 | Titanium Screws, 3x6mm BHCS   | 4   |
| 91581 | Titanium Screws, 3x8mm BHCS   | 4   |
| 91582 | Titanium Screws, 3x10mm BHCS  | 4   |
| 91583 | Titanium Screws, 3x12mm BHCS  | 4   |
| 91584 | Titanium Screws, 3x14mm BHCS  | 4   |
| 91585 | Titanium Screws, 3x16mm BHCS  | 4   |
| 91588 | Titanium Screws, 3x22mm BHCS  | 4   |
| 91589 | Titanium Screws, 3x24mm BHCS  | 4   |
| 91592 | Titanium Screws, 3x8mm FHCS   | 4   |
| 91593 | Titanium Screws, 3x10mm FHCS  | 4   |
| 91594 | Titanium Screws, 3x12mm FHCS  | 4   |
| 91595 | Titanium Screws, 3x14mm FHCS  | 4   |
| 91596 | Titanium Screws, 3x16mm FHCS  | 4   |
| 91597 | Titanium Screws, 3x18mm FHCS  | 4   |
| 91610 | FT Clamping Wheel Hexes, 7.0mm  | 2   |
| 91620 | 3 x 27.5mm Shock Shaft (V2), Chrome                                     | 2   |
| 91621 | FT 12mm Pistons, V2, 2x1.6, Thin  | 4   |
| 91622 | FT 12mm Pistons, V2, 2x1.7, Thin  | 4   |
| 91625 | FT 12mm Pistons V2, 2 x 1.5, flat                                       | 4   |
| 91626 | FT 12mm Pistons (V2), 2x1.6 mm, flat                                    | 4   |
| 91627 | FT 12mm Pistons V2, 2 x 1.7, flat                                       | 4   |
| 91628 | FT 12mm Pistons (V2), 3x1.4 mm, flat                                    | 4   |
| 91630 | FT 12mm Pistons (V2), Blank, flat                                       | 4   |
| 91631 | FT 12mm Pistons (V2), 3x1.4 mm, tapered                                 | 4   |
| 91633 | FT 12mm Pistons (V2), Blank, tapered                                    | 4   |
| 91643 | FT 3x24mm V2 Shock Shaft, Chrome  | 2   |
| 91645 | FT 3x29mm V2 Shock Shaft, Chrome  | 2   |
| 91750 | HD Titanium Ball Stud, 4mm  | 2   |
| 91751 | HD Titanium Ball Stud, 6mm  | 2   |
| 91752 | HD Titanium Ball Stud, 8mm  | 2   |
| 91753 | HD Titanium Ball Stud, 10mm   | 2   |
| 92076 | B64 Gear Diff Rebuild, Plastic  | 1   |
| 92100 | FT Wing Buttons, Aluminum, Black  | 2   |
| 92129 | FT B74 Suspension Arm, Front, HARD                                      | Pr. |
| 92131 | B74 Suspension Arm, Rear, HARD  | Pr. |
| 92144 | B74 Diff Set, Center  | 1   |
| 92175 | FT B74 Caster Block, 8 degree   | Pr. |
| 92177 | FT B74 Caster Block, 10 degree  | Pr. |
| 92185 | FT B74 Graphite Rear Hub Link Shim Set                                  | 1   |
| 92197 | B74 DCV Set, Front  | 1   |
| 92198 | B74 DCV Axle, Front   | 2   |
| 92201 | B74 DCV Bone, 70.5mm  | 2   |
| 92207 | FT B74 CVA Axle, Rear - 66mm  | 2   |
| 92212 | FT B74 CVA Bone, 66mm   | 2   |

## :: Tools

|       |  |    |
|-------|--|----|
| 1111  | FT Turnbuckle Wrench   | 1  |
| 1112  | FT 4mm Turnbuckle Wrench   | 1  |
| 1114  | FT Dual Turnbuckle Wrench  | 1  |
| 1452  | FT TC Ride Height Gauge  | 1  |
| 1498  | FT Universal Tire Balancer   | 1  |
| 1499  | FT Body Reamer   | 1  |
| 1500  | FT 1.5mm Hex Driver  | 1  |
| 1501  | FT 2.0mm Hex Driver  | 1  |
| 1502  | FT 2.0mm Ball Hex Driver   | 1  |
| 1503  | FT 2.5mm Hex Driver  | 1  |
| 1504  | FT 2.5mm Ball Hex Driver   | 1  |
| 1505  | FT 3.0mm Hex Driver  | 1  |
| 1506  | FT 5.0mm Hex Driver  | 1  |
| 1507  | FT 5.5mm Nut Driver  | 1  |
| 1508  | FT 7.0mm Nut Driver  | 1  |
| 1510  | FT 1.5mm Hex Replacement Tip   | 1  |
| 1511  | FT 2.0mm Hex Replacement Tip   | 1  |
| 1512  | FT 2.0mm Ball Replacement Tip  | 1  |
| 1513  | FT 2.5mm Hex Replacement Tip   | 1  |
| 1514  | FT 2.5mm Ball Replacement Tip  | 1  |
| 1515  | FT 3.0mm Hex Replacement Tip   | 1  |
| 1518  | FT HEX Driver Tool Set (3pcs)  | 1  |
| 1519  | FT Hex/Nut Driver Tool Set (5pc)   | 1  |
| 1522  | FT Digital Scale, 100/0.01g  | 1  |
| 1555  | FT Clutch Gauge, 4 Shoe  | 1  |
| 1568  | FT 5.5mm Short Nut Driver  | 1  |
| 1569  | FT 7mm Nut Driver, T-Handle  | 1  |
| 1570  | FT 5.5mm Short Nut Driver  | 1  |
| 1571  | FT 1:8 Wheel Nut Wrench, 17mm Hex  | 1  |
| 1579  | FT Ball Cup Wrench - (will not work on Enduro rod ends)  | 1  |
| 1595  | Chassis Weights, 1/4 oz  | 1  |
| 1650  | 7 Piece Hex Driver Set   | 1  |
| 1657  | FT 1/4" Hex Drive .050" Tip  | 1  |
| 1659  | FT 1/4" Hex Drive 5/64" - 2.0mm Tip  | 1  |
| 1661  | FT 1/4" Hex Drive 1.5mm Tip  | 1  |
| 1662  | FT 1/4" Hex Drive 2.5mm Tip  | 1  |
| 1666  | FT 1/4" Hex Drive 5.5mm Nut Driver Tip   | 1  |
| 1667  | FT 1/4" Hex Drive 7.0mm Nut Driver Tip   | 1  |
| 1668  | FT 1/4" Hex Drive 8.0mm Nut Driver Tip   | 1  |
| 1674  | FT 1/4" 5 Piece Power Tool Tips Set (5/64-2.0mm, 1.5mm, 2.5mm, 5/64" - 2.0mm ball, 2.5mm ball) | 1  |
| 1679  | FT T-Handle Ratchet Driver   | 1  |
| 1737  | FT Body Scissors   | 1  |
| 3719  | 6 Inch Nylon Wire Ties   | 12 |
| 3987  | FT Droop Gauge   | 1  |
| 89240 | RC8 FT Turnbuckle Wrench   | 1  |

## :: Lubes & Adhesives / Misc.

|      |                                  |   |
|------|----------------------------------|---|
| 1105 | FT Green Slime Shock Lube        | 1 |
| 1596 | FT Locking Adhesive              | 1 |
| 1597 | FT Tire Adhesive, medium         | 1 |
| 6588 | Black Grease - 4cc               | 1 |
| 6591 | S.Diff Lube - 4cc                | 1 |
| 6636 | Silicone Grease - 4cc            | 1 |
| 6727 | Servo Tape                       | 2 |
| 3840 | 2016 Team Associated Decal Sheet | 1 |



## :: Reedy Competition Motors & Spare Parts

|       |   |   |
|-------|---|---|
| 293   | Sonic 540 FT 17.5 Fixed Timing              | 1 |
| 294   | Sonic 540 FT 13.5 Fixed Timing              | 1 |
| 295   | Sonic 540-FT Spec Rotor 12.0 x 7.25 x 25.3  | 1 |
| 297   | Sonic 540 FT 21.5 Fixed Timing              | 1 |
| 27400 | S-Plus 25.5 Spec                            | 1 |
| 27401 | S-Plus 21.5 Spec                            | 1 |
| 27402 | S-Plus 17.5 Spec                            | 1 |
| 27403 | S-Plus 13.5 Spec                            | 1 |
| 27404 | S-Plus 10.5 Spec - Torque                   | 1 |
| 27414 | 540-M3/S-Plus Spec Rotor 12.5 x 7.15 x 24.2 | 1 |
| 27415 | 540-M3/S-Plus Spec Rotor 12.3 x 7.15 x 24.2 | 1 |
| 27417 | S-Plus Screw Set                            | 1 |
| 27418 | 540-M3/S-Plus Lightweight Sensor Board      | 1 |
| 27419 | S-Plus Front Plate                          | 1 |
| 27420 | 540-M3/S-Plus Aluminum Case Screw Set       | 1 |
| 27421 | 540-M3/S-Plus Aluminum Timing Screw Set     | 1 |
| 27428 | S-Plus 21.5 Spec - Torque                   | 1 |
| 27429 | S-Plus 17.5 Spec - Torque                   | 1 |
| 27436 | Sonic 540-M4 Modified Motor 17.5            | 1 |
| 27437 | Sonic 540-M4 Modified Motor 13.5            | 1 |
| 27438 | Sonic 540-M4 Modified Motor 9.5             | 1 |
| 27439 | Sonic 540-M4 Modified Motor 8.5             | 1 |
| 27440 | Sonic 540-M4 Modified Motor 8.0             | 1 |
| 27441 | Sonic 540-M4 Modified Motor 7.5             | 1 |
| 27442 | Sonic 540-M4 Modified Motor 7.0             | 1 |
| 27443 | Sonic 540-M4 Modified Motor 6.5 1/12        | 1 |
| 27444 | Sonic 540-M4 Modified Motor 6.5             | 1 |
| 27445 | Sonic 540-M4 Modified Motor 6.0             | 1 |
| 27446 | Sonic 540-M4 Modified Motor 5.5             | 1 |
| 27447 | 540-M4 Mod Rotor 12.5 x 7.25 x 25.3         | 1 |
| 27448 | 540-M4 Mod Rotor 12.5 x 5.0 x 25.3          | 1 |
| 27449 | 540-M4 Mod Rotor 13.0 x 5.0 x 25.3          | 1 |
| 27450 | 540-M4 Mod Rotor 12.0 x 5.0 x 25.3          | 1 |
| 27451 | Sonic 540-M4 Modified Motor 5.0             | 1 |
| 27452 | Sonic 540-M4 Modified Motor 4.5             | 1 |
| 27453 | Sonic 540-M4 Modified Motor 4.0             | 1 |
| 27454 | Sonic 540-M4 Modified Motor 3.5             | 1 |
| 27455 | 540-M4 Sensor Board                         | 1 |
| 27456 | 540-M4 Ball Bearing Set                     | 1 |
| 27460 | 540-M4 Mod Rotor 12.3 x 5.0 x 25.3          | 1 |

## :: Reedy Competition Motor Accessories

|       |   |   |
|-------|---|---|
| 978   | Flat Sensor Wire 70mm                     | 1 |
| 979   | Flat Sensor Wire 110mm                    | 1 |
| 980   | Flat Sensor Wire 150mm                    | 1 |
| 981   | Flat Sensor Wire 200mm                    | 1 |
| 982   | Flat Sensor Wire 270mm                    | 1 |
| 994   | Flat Sensor Wire 125mm                    | 1 |
| 995   | Flat Sensor Wire 175mm                    | 1 |
| 27423 | 30mm Motor Fan w/195mm extension          | 1 |
| 27457 | 30mm Aluminum Motor Fan w/195mm extension | 1 |
| 27458 | 40mm Aluminum Motor Fan w/195mm extension | 1 |

## :: Reedy ESC's

|       |  |   |
|-------|--|---|
| 27002 | Blackbox 800Z 2S Zero-Timing Competition ESC | 1 |
| 27004 | Blackbox 510R Competition ESC                | 1 |
| 27005 | Blackbox 510R Competition ESC w/PROgrammer2  | 1 |
| 27006 | Blackbox 600Z 2S Zero-Timing Competition ESC | 1 |
| 27024 | Blackbox Pro Capacitor Unit                  | 1 |
| 27027 | Blackbox PROgrammer2                         | 1 |
| 27028 | Blackbox 30x30x7mm Fan w/screws              | 1 |
| 27029 | Blackbox Pro Modified Capacitor Unit         | 1 |
| 27030 | Blackbox ESC/Programmer2 Connection Wire     | 1 |
| 27031 | Blackbox 510R 30x30x10mm Fan w/screws        | 1 |
| 27033 | Blackbox 1000Z+ Pro Competition ESC          | 1 |

## :: Reedy Chargers

|       |   |   |
|-------|---|---|
| 27201 | 324-S AC LiPo/LiFe Compact Balance Charger      | 1 |
| 27202 | 123-S AC LiPo Compact Balance Charger           | 1 |
| 27203 | 1416-C2L Dual AC/DC Competition Battery Charger | 1 |

## :: Reedy Batteries

|       |  |   |
|-------|--|---|
| 302   | AA Alkaline 1.5V (4)                     | 1 |
| 27313 | LiPo Pro TX/RX 2400mAh 7.4V Flat         | 1 |
| 27315 | LiFe Pro TX/RX 1600mAh 6.6V Flat         | 1 |
| 27318 | Wolfpack HV LiPo 50C 4200mAh 7.6V Shorty | 1 |
| 27347 | Zappers SG3 6100mAh 85C 7.6V Shorty      | 1 |
| 27348 | Zappers SG3 4800mAh 115C 7.6V Shorty     | 1 |
| 27349 | Zappers SG3 4100mAh 85C 7.6V LP Shorty   | 1 |
| 27350 | Zappers SG3 3600mAh 115C 7.6V LP Shorty  | 1 |

## :: Reedy Charger Accessories

|       |   |   |
|-------|---|---|
| 27220 | Reedy 7-in-1 Universal Charge Lead (4mm)      | 1 |
| 27221 | Reedy T-plug Charge Lead (4mm)                | 1 |
| 27222 | Reedy XH 2-6S Balance Board (4mm)             | 1 |
| 27223 | Reedy RX Charger Lead FUT (4mm)               | 1 |
| 27224 | Reedy US to IEC 320 C5 angle 1M AC Power Cord | 1 |
| 27226 | Reedy EU to IEC 320 C5 angle 1M AC Power Cord | 1 |
| 27233 | Reedy 1-2S 4mm/5mm Pro Charge Lead            | 1 |
| 27234 | Reedy 4S 5mm Pro Charge Lead                  | 1 |
| 27235 | Reedy 2S RX/TX Pro Charge Lead                | 1 |
| 27236 | Reedy 2S-4S T-plug Pro Charge Lead            | 1 |
| 27237 | Reedy 2S-4S XT60 Pro Charge Lead              | 1 |

## :: Reedy Servos & Accessories

|       |   |   |
|-------|---|---|
| 27100 | RS1206 Digital HV Hi-Speed Competition Servo              | 1 |
| 27101 | RT1508 Digital HV Hi-Torque Competition Servo             | 1 |
| 27102 | RS1206 Case Set w/screws                                  | 1 |
| 27103 | RS1206 Gear Set   | 1 |
| 27104 | RT1508 Case Set w/screws                                  | 1 |
| 27105 | RT1508 Gear Set   | 1 |
| 27107 | RT2207A Digital HV Aluminum Hi-Torque Competition Servo   | 1 |
| 27109 | RT1408 Digital HV Low-Profile Hi-Torque Competition Servo | 1 |
| 27121 | RT2207A Gear Set  | 1 |
| 27122 | Reedy Aluminum Servo Horn (25)                            | 1 |
| 27123 | Reedy Aluminum Clamping Servo Horn (25)                   | 1 |
| 27126 | RT1408 Case Set w/screws                                  | 1 |
| 27128 | RT1408 Gear Set   | 1 |

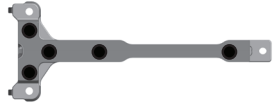
## :: Reedy Accessories

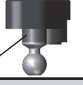
|       |  |   |
|-------|--|---|
| 643   | Low Profile Bullet Plug 4mm x 14mm (2)       | 1 |
| 644   | Low Profile Bullet Plug 4mm x 14mm (10)      | 1 |
| 645   | Low Profile Bullet Plug 5mm x 14mm (2)       | 1 |
| 646   | Low Profile Bullet Plug 5mm x 14mm (10)      | 1 |
| 647   | Silicone Wire 12AWG-Black (1m)               | 1 |
| 648   | Silicone Wire 14AWG-Black (1m)               | 1 |
| 650   | Shrink Tubing - 15pcs 4.5mm x 20mm           | 1 |
| 747   | Silicone Wire 12AWG-Black (30m)              | 1 |
| 790   | Silicone Wire 13AWG-Black (1m)               | 1 |
| 791   | Silicone Wire 13AWG-Black (30m)              | 1 |
| 792   | Low Profile Caged Bullet Plug 4mm x 14mm (2) | 1 |
| 794   | Low Profile Caged Bullet Plug 5mm x 14mm (2) | 1 |
| 27304 | LiPo Battery Weight Set - Shorty             | 1 |
| 27355 | Shorty Battery Weight Set - 20g, 34g, 50g    | 1 |


### Front Suspension:

|                        |   |
|------------------------|---|
| Ride Height:           | 12mm  |
| Camber:                | -1 degree   |
| Toe:                   | +1 degree   |
| Anti-Roll Bar:         | 2.0mm   |
| Arm Type:              | Kit   |
| Wheelbase Shim:        | Arm Forward   |
| Wheel Hex:             | 5.0mm   |
| Caster Block:          | 8° <input type="checkbox"/> 9° <input checked="" type="checkbox"/> 10° <input type="checkbox"/> |
| Chassis Brace Support: | 2mm G10   |
| Top Plate Brace:       | Yes <input type="checkbox"/> No <input checked="" type="checkbox"/>                             |
| Front Axles:           | CVA <input checked="" type="checkbox"/> DCV <input type="checkbox"/>                            |
| Notes:                 |   |

1 2

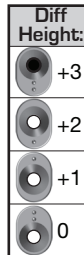
Front Chassis Brace Screws: 

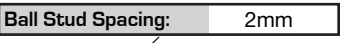
Ball Stud Spacing: 1mm 

Steering Plate: Kit 

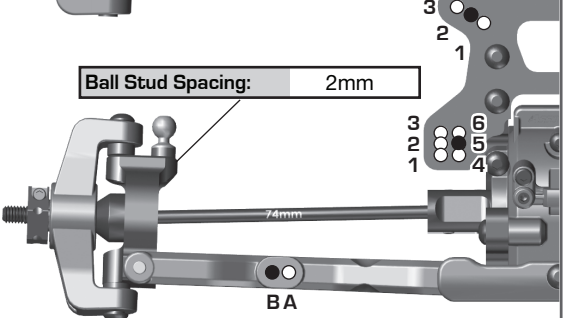
Arm Mount A: 1°  0.5°   
 Gray  Black

Arm Mount B: 1°  0.5°   
 Gray  Black

Diff Height:  +3  
+2  
+1  
0

Ball Stud Spacing: 2mm 

74mm

BA 

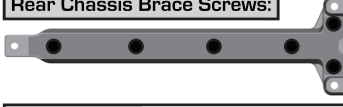
3 2 1  
6 5 4

Axle Height: +3  +2  +1  0

Ball Stud Spacing: 0mm


### Rear Suspension:


|                        |  |
|------------------------|--|
| Ride Height:           | 12mm   |
| Camber:                | -1 degree  |
| Anti-Roll Bar:         | 2.0mm  |
| Arm Type:              | Kit  |
| Wheelbase Shim:        | Arm back   |
| Wheel Hex:             | 6.0mm  |
| CVA Bone Length:       | 66mm bones   |
| Chassis Brace Support: | 2mm G10  |
| Hub Spacing:           | Fwd <input type="checkbox"/> Mid <input type="checkbox"/> Back <input checked="" type="checkbox"/> |
| Notes:                 |  |


Rear Chassis Brace Screws: 

Arm Mount C: 1°  0.5°   
 Gray  Black

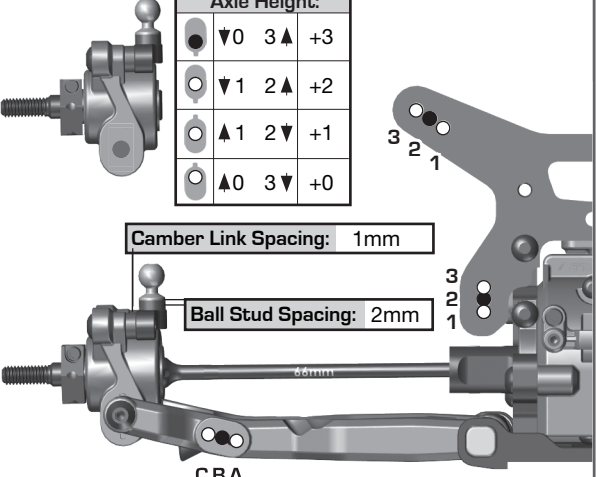
Arm Mount D: 1°  0.5°   
 Gray  Black

Diff Height:  +3  
+2  
+1  
0

Camber Link Spacing: 1mm 

Ball Stud Spacing: 2mm 

66mm

CBA 

3 2 1

Axle Height:  $\nabla 0$  3  $\blacktriangle +3$   
 $\nabla 1$  2  $\blacktriangle +2$   
 $\blacktriangle 1$  2  $\nabla +1$   
 $\blacktriangle 0$  3  $\nabla +0$

### Electronics:

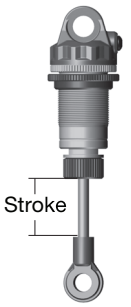
|                   |   |
|-------------------|---|
| Radio:            | Servo:  |
| EPA: Throttle: %  | Brake: %  |
| ESC:              |   |
| ESC Settings:     |   |
| Motor:            |   |
| Wind:             | Timing:   |
| Pinion:           | Spur:   |
| Battery:          |   |
| Battery Position: | BACK 1 <input type="checkbox"/> 2 <input type="checkbox"/> 3 <input checked="" type="checkbox"/> 4 <input type="checkbox"/> FWD |

### Differential:

|                 |  |       |     |
|-----------------|--|-------|-----|
| Front Fluid:    | 15k  | Mass: | 46g |
| Gears:          | Plastic <input type="checkbox"/> Metal <input checked="" type="checkbox"/> |       |     |
| Center Fluid:   |  | Mass: |     |
| Gears:          | Plastic <input type="checkbox"/> Metal <input checked="" type="checkbox"/> |       |     |
| Rear Fluid:     | 15k  | Mass: | 46g |
| Gears:          | Plastic <input type="checkbox"/> Metal <input checked="" type="checkbox"/> |       |     |
| Slipper Clutch: |  |       |     |
| Setting:        |  |       |     |
| Pad Type:       | 2 Pads <input checked="" type="checkbox"/> 3 Pads <input type="checkbox"/> |       |     |

### Shocks:

|                | Front      | Rear       |
|----------------|------------|------------|
| Piston:        | 2 x 1.6    | 2 x 1.7    |
| Fluid:         | 50wt       | 35 wt      |
| Spring:        | Red        | Blue       |
| Limiters:      | 2 External | 1 External |
| Stroke:        | 22mm       | 27.5mm     |
| Eyelet Length: | Long       | Long       |
| Cup Offset:    | 9mm        | 0mm        |
| Notes:         |            |            |



### Track Info:

|              |  |
|--------------|--|
| Size:        | Small <input type="checkbox"/> Medium <input type="checkbox"/> Large <input type="checkbox"/> Extra Large <input type="checkbox"/>   |
| Surface:     | Dirt <input type="checkbox"/> Carpet <input type="checkbox"/> AstroTurf <input type="checkbox"/> Multi Surface <input type="checkbox"/>  |
| Traction:    | Low <input type="checkbox"/> Medium <input type="checkbox"/> High <input type="checkbox"/> Very High <input type="checkbox"/>  |
| Moisture:    | Dry <input type="checkbox"/> Damp <input type="checkbox"/> Wet <input type="checkbox"/>  |
| Condition:   | Indoor <input type="checkbox"/> Outdoor <input type="checkbox"/> Dusty <input type="checkbox"/> Hard Packed <input type="checkbox"/><br>Bumpy <input type="checkbox"/> Grooved <input type="checkbox"/> Smooth <input type="checkbox"/> Loamy <input type="checkbox"/> |
| Temperature: | Ambient: _____ Track: _____  |
| Notes:       |  |

### Tires:

|                 |  |
|-----------------|--|
| Front Tires:    |  |
| Front Compound: |  |
| Front Insert:   |  |
| Rear Tires:     |  |
| Rear Compound:  |  |
| Rear Insert:    |  |
| Wheel (F/R):    |  |
| Notes:          |  |

### Body, Wing, Weight:

|                       |  |
|-----------------------|--|
| Body:                 | Light Weight   |
| Wing:                 | Kit  |
| Front Wing:           | Yes <input type="checkbox"/> No <input type="checkbox"/> |
| Wing Angle:           | 0° <input type="checkbox"/> 6° <input type="checkbox"/>  |
| Weights:              |  |
| Total Vehicle Weight: |  |

### Vehicle Comments:

Notes: \_\_\_\_\_