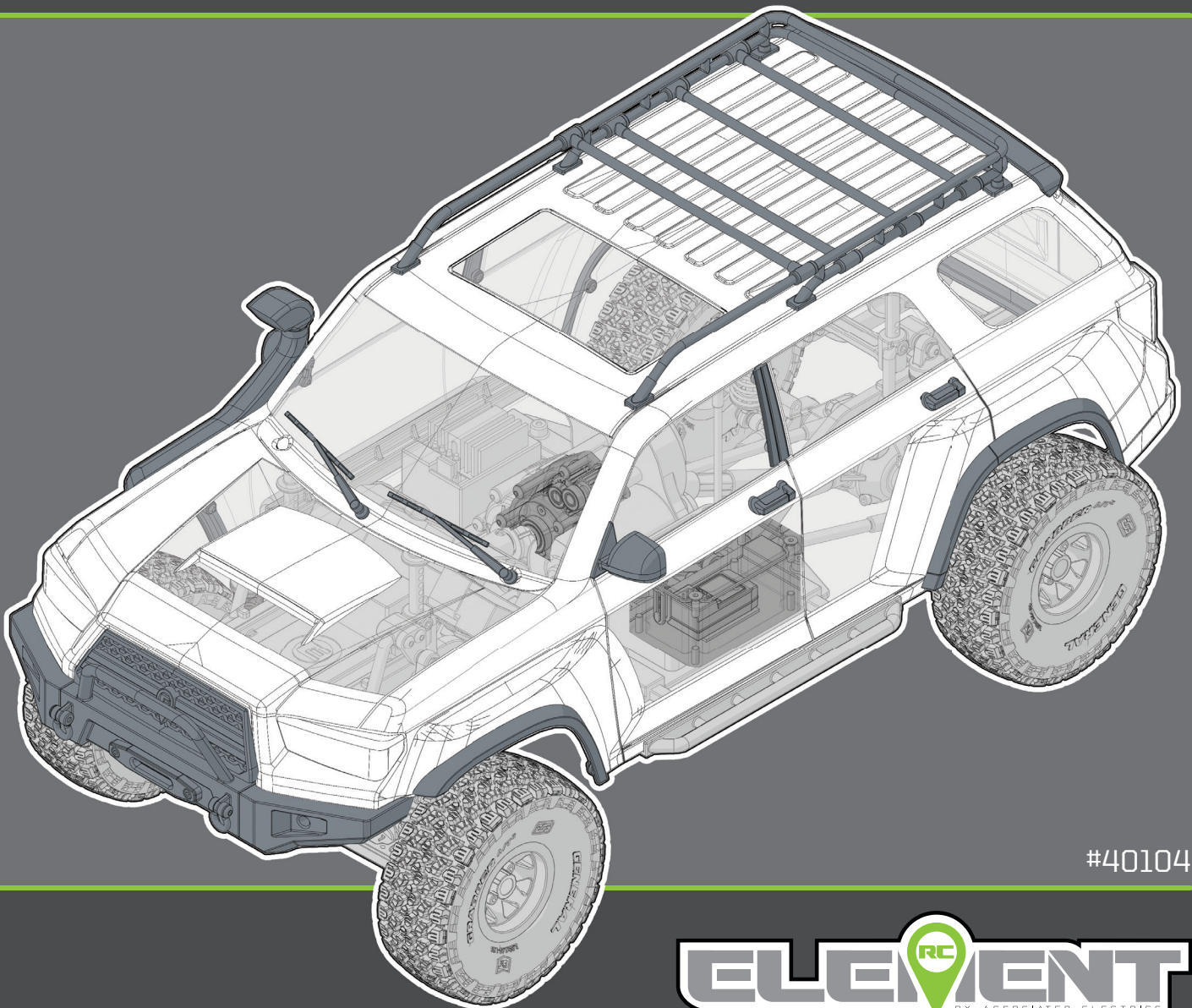


ENDURO

TRAILRUNNER
SPORT UTILITY VEHICLE



OWNERS BUILD MANUAL






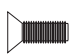



#40104

















HARDWARE 1:1 SCALE VIEW

HARDWARE USED WITH OPTIONAL REPLACEMENT PART NUMBERS

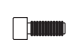
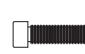
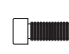




FLAT HEAD SCREWS (FHCS)

	2.5x10mm (31350)
	2.5x14mm (41077)
	3x6mm (31541) Titanium (91591)
	3x8mm (25201) Titanium (91592)
	3x10mm (25202) Titanium (91593)
	3x12mm (25203) Titanium (91594)
	3x14mm (89208) Titanium (91595)




BUTTON HEAD SCREWS (BHCS)

	2x3mm (31509)
	2.6x10mm, Self Tapping (41088)
	3x4mm (91158)
	3x5mm (31530)
	3x6mm (31531) Titanium (91580)
	3x8mm (31532) Titanium (91581)
	3x10mm (25211) Titanium (91582)
	3x12mm (89202) Titanium (91583)
	3x14mm (25187) Titanium (91584)
	3x16mm (89203) Titanium (91585)
	3x18mm (2308)
	3x20mm (25188) Titanium (91587)
	3x26mm (89205)
	3x28mm (41078)



SOCKET HEAD SCREWS (SHCS)

	2x5mm (31511) Aluminum (8566)
	2x8mm (7187)
	2.5x6mm (41079)
	2.5x10mm (41087)
	2.5x14mm (71032)
	2.5x16mm (41086)
	3x6mm (41089)



SET SCREWS

	3x3mm (25225)
	3x16mm (4689)
	4x16mm (4677)




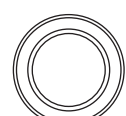
PIVOT BALLS

	Pivot Ball, Short (42041)
	Pivot Ball, Long, Upper Shock (42041)




LOCK NUTS

	M3 Locknuts (25215) Aluminum (31550)
	M4 Locknut W/Flange (25391)



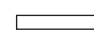
BEARINGS

	4x8x3mm (91568)
	5x10x4mm (91560)
	7x14x3.5mm (91474)
	10x15x4mm (91563)









SHIMS AND WASHERS

	.250x.125x.015 (7337)
	Servo Horn Spacer (42041)
	Drive Gear Shim (42027)

MISC. SCREWS

	Shoulder Screw 3x4x10mm (42070)
	Screw Pin (42022)
	Pin 2x11mm (42019)

LINKS

	32mm
	73mm
	83mm
	93mm
	96mm
	100mm
	108mm
	114mm

GATE 01 STEERING BUILD

42040 x2
Rod Ends, curved



Servo Link

42214 x1
IFS Link, 32mm



Steering Link

42040 x1
Rod Ends, straight



42214 x1
IFS Link, 32mm

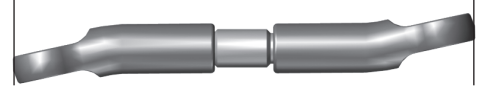


42040 x1
Rod Ends, curved

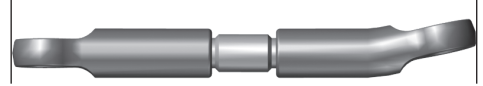


Build Left and Right Steering Links

60.65mm



61.50mm



GATE 02 STEERING BUILD

42217 x2
Steering Post, IFS

42201 x1
Bellcrank, IFS

x4 **91568**
4x8x3mm Bearing

x2 **42041**
Pivot Ball, Short

x1 **42201**
Bellcrank, IFS

42217 x1
Steering Rack, IFS

x2 **25215**
Locknut, M3

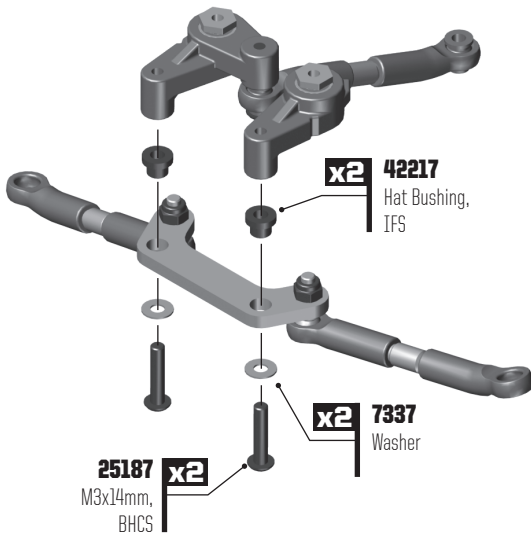
x2 **42216**
M5.8x8mm, Ballstud, SILVER

31531 x2
M3x8mm, BHCS

89203 x1
M3x16mm, BHCS

THREAD LOCK #1596 NOT INCLUDED

GATE 03 STEERING BUILD



x2 **42217**
Hat Bushing, IFS

x2 **7337**
Washer

25187 x2
M3x14mm, BHCS

x1 **42203**
Servo Mount, IFS

SERVO Not Included
x1

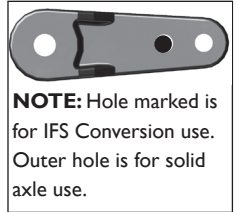
7337 x4
Washer

42215 x1
Servo Horn

25211 x5
M3x10mm, BHCS

x2 **31541**
M3x6mm FHCS

Servo Horn



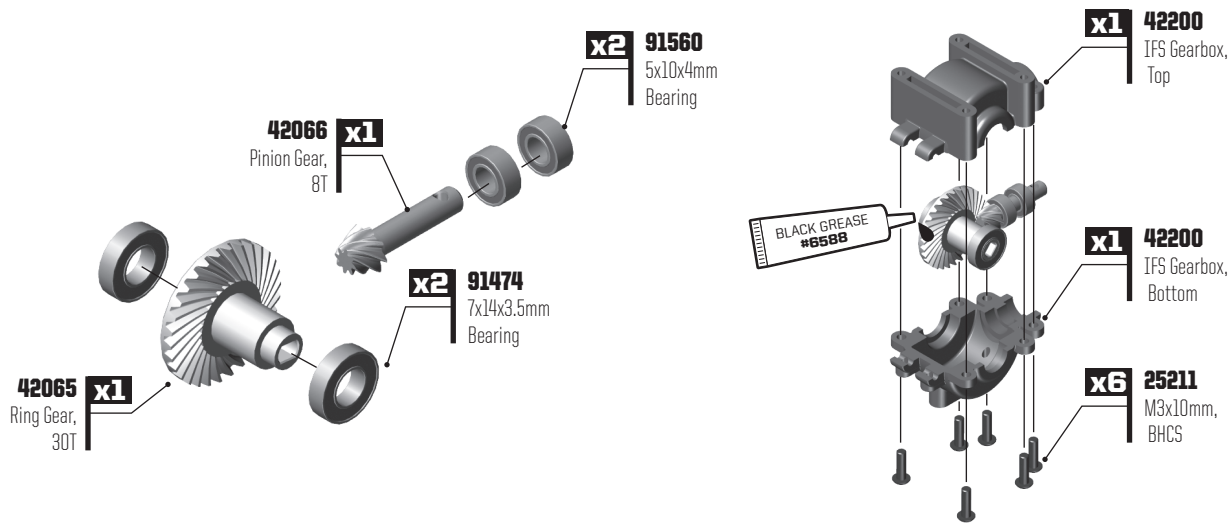
NOTE: Hole marked is for IFS Conversion use. Outer hole is for solid axle use.

NOTE: Install #89202 into servo horn

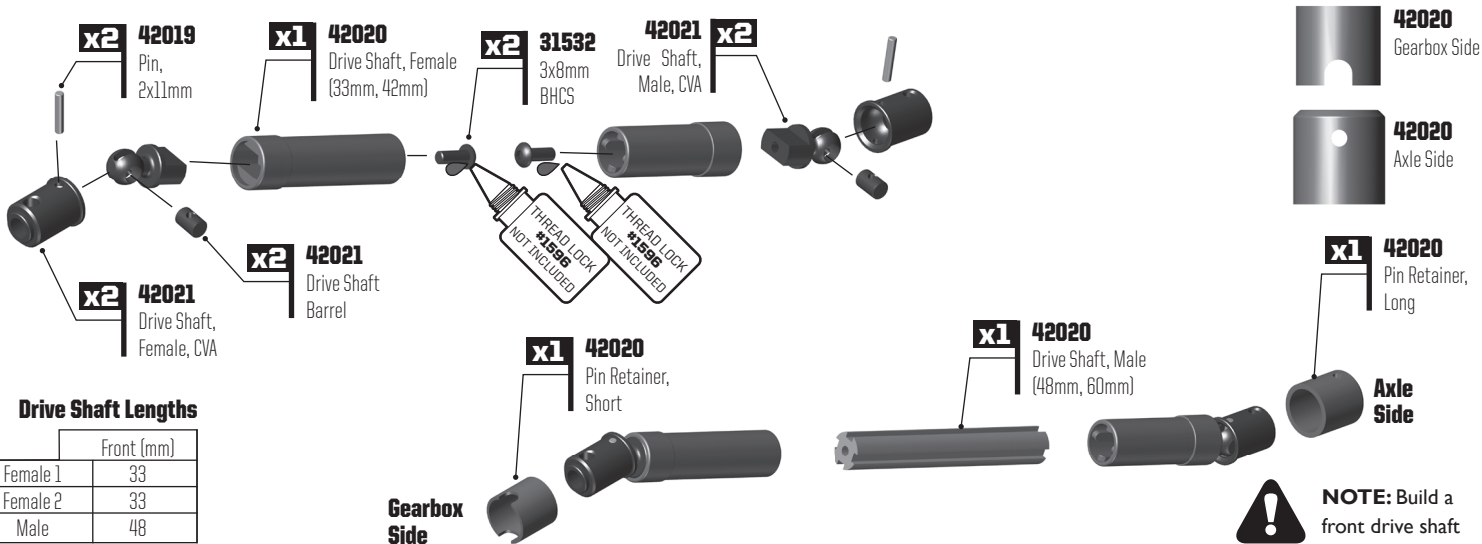
THREAD LOCK #1596 NOT INCLUDED

x1 **89202**
M3x12mm, BHCS

GATE 01 FRONT GEARBOX BUILD



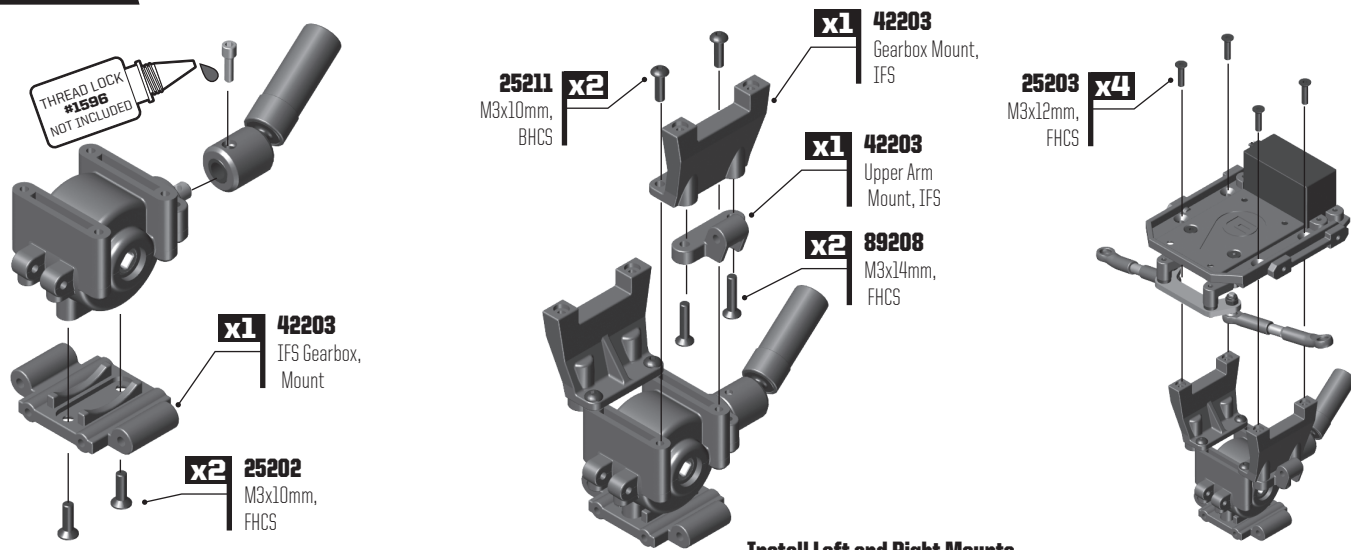
GATE 02 FRONT GEARBOX BUILD



Drive Shaft Lengths

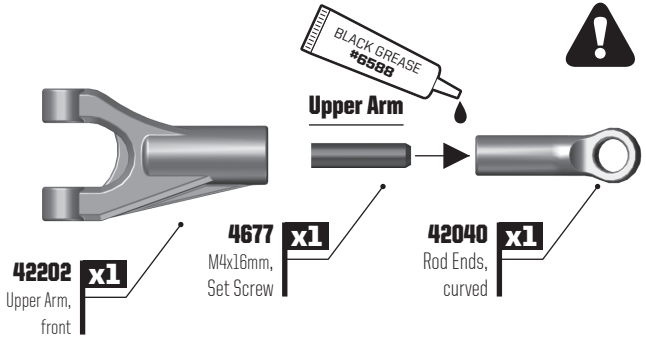
	Front (mm)
Female 1	33
Female 2	33
Male	48

GATE 03 FRONT GEARBOX BUILD

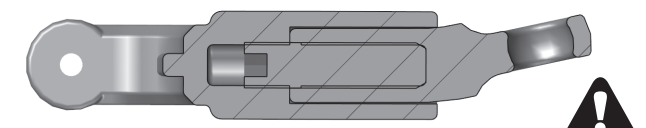


Install Left and Right Mounts

GATE 01 FRONT SUSPENSION BUILD

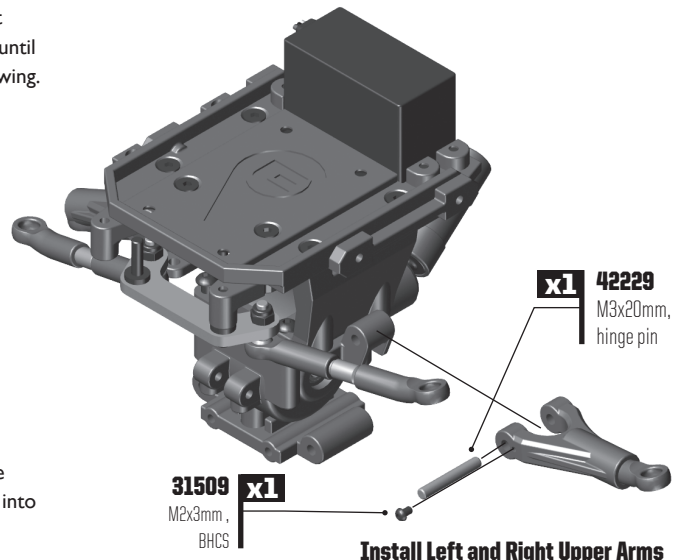


NOTE: Thread set screw into ballcup until 4mm thread is showing.



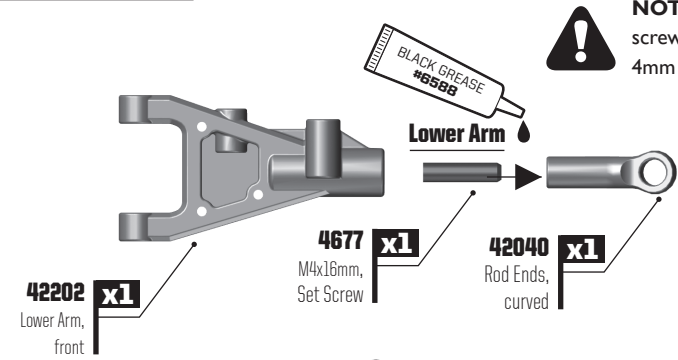
NOTE: Thread the exposed set screw into the arm until snug!

Build Left and Right Upper Arms

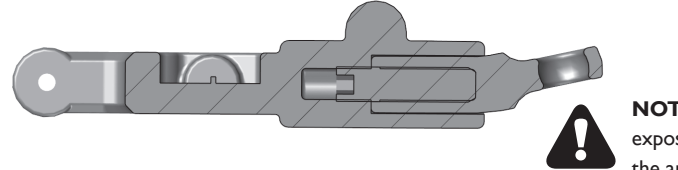


Install Left and Right Upper Arms

GATE 02 FRONT SUSPENSION BUILD

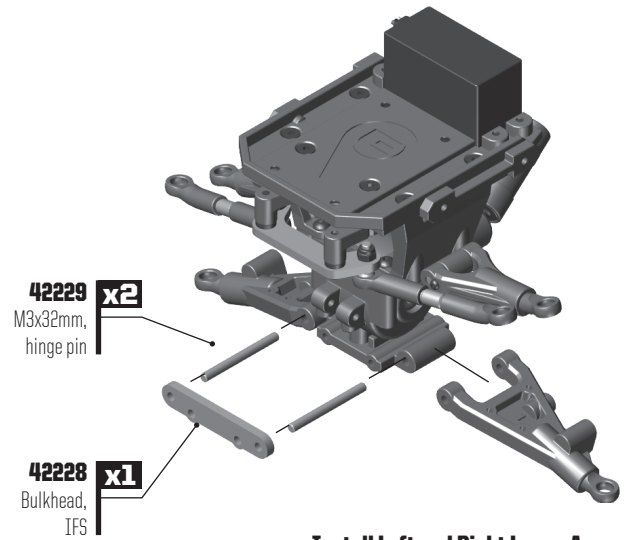


NOTE: Thread set screw into ballcup until 4mm thread is showing.



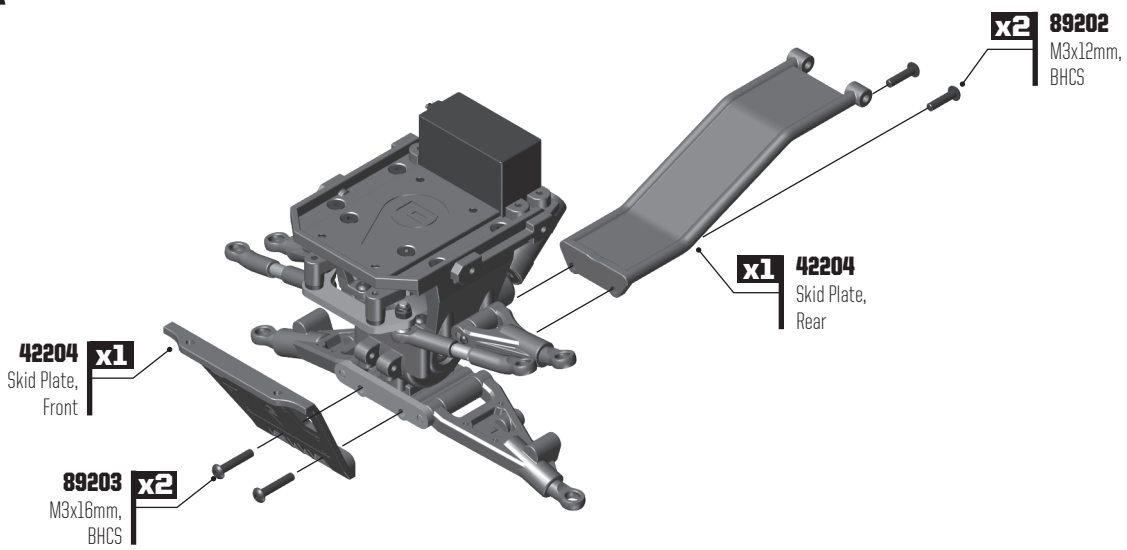
NOTE: Thread the exposed set screw into the arm until snug!

Build Left and Right Lower Arms



Install Left and Right Lower Arms

GATE 03 FRONT SUSPENSION BUILD



42204 x1
Skid Plate, Front

89203 x2
M3x16mm, BHCS

42204 x1
Skid Plate, Rear

89202 x2
M3x12mm, BHCS

GATE 04 FRONT SUSPENSION BUILD

Install Left and Right Steering Blocks

Build Left and Right Steering Blocks

- 25211** x2 M3x10mm, BHCS
- 42218** x1 Steering Plate, IFS
- 91560** x1 5x10x4mm, Bearing
- 42062** x1 Steering Block
- 42216** x1 M5.8x8mm, Ballstud, Silver
- 25215** x3 M3 Locknut, Black
- 42216** x2 M5.8x8mm, Shoulder Ballstud
- 91563** x1 10x15x4mm Bearing

Install Left and Right Steering Blocks

- 42226** x2 Outdrive, IFS
- 42227** x1 Universal, 55mm
- 42019** x1 Wheel Hex Pin, 2x11mm
- 42069** x1 Wheel Hex, 6mm

GATE 01 GEARBOX BUILD

BLACK GREASE #6588

- 42028** x1 Stealth X Gearbox Drive Gear, 53T
- 42027** x1 Stealth X Gearbox Outdrive, Long
- 31350** x4 2.5x10mm FHCS
- 42027** x1 Stealth X Gearbox Outdrive, Short
- 42027** x1 Stealth X Gearbox Drive Gear Shim
- 91563** x2 10x15x4mm Bearing
- 42028** x1 Stealth X Gearbox Drive Gear, 52T
- 41077** x4 2.5x14mm FHCS

NOTE: Make sure the 10x15x4mm bearing is completely seated in the short outdrive

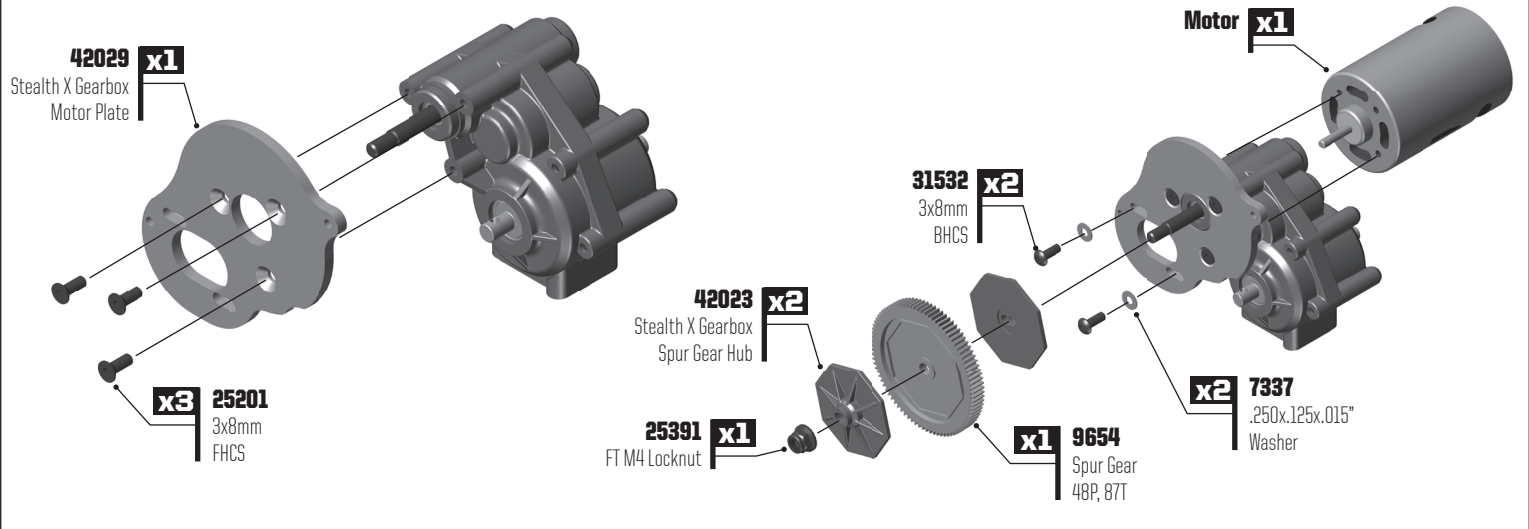
GATE 02 GEARBOX BUILD

NOTE: There are optional gearbox builds on page 28

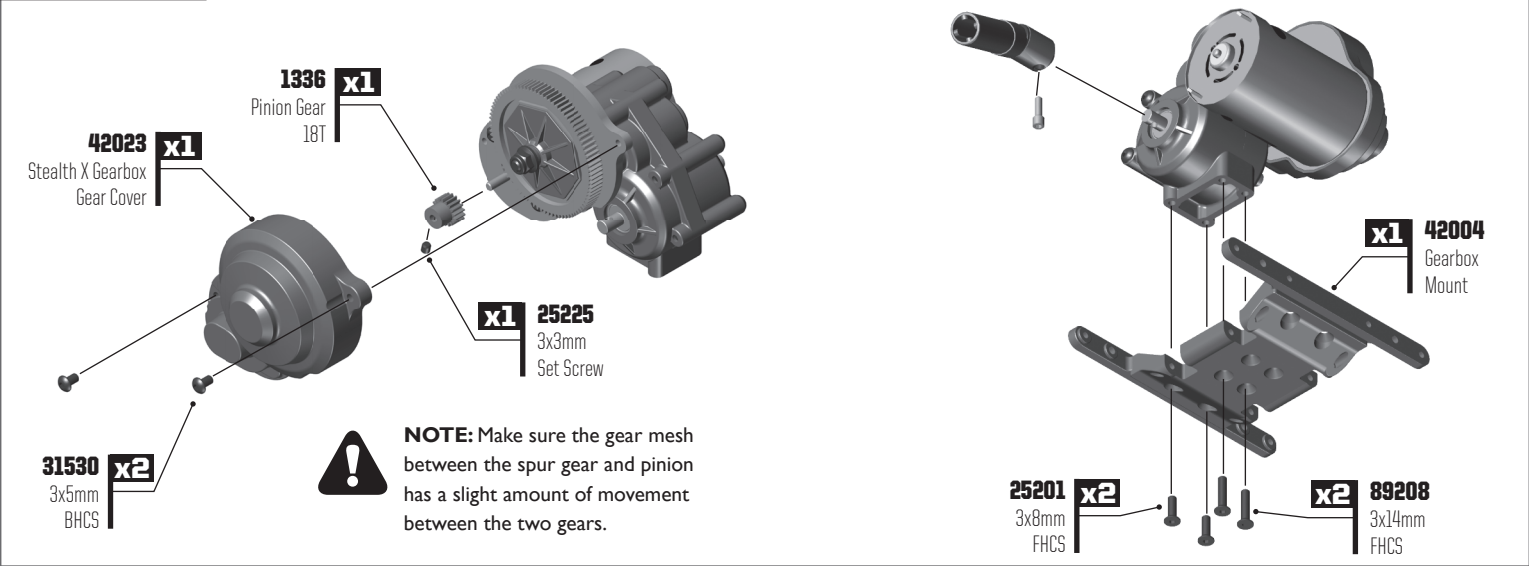
- 42025** x2 Idler Shaft Pin 2x9mm
- 42025** x1 Stealth X Gearbox Idler Shaft
- 42026** x1 Stealth X Gearbox Idler Gear, 28T
- 42030** x1 Stealth X Gearbox Top Shaft, Rear
- 91560** x4 5x10x4mm Bearing
- 41078** x5 3x28mm BHCS
- 42023** x1 Stealth X Gearbox Case
- 91563** x2 10x15x4mm Bearing
- 42023** x1 Stealth X Gearbox Case

Over Drive Option I (Stock)

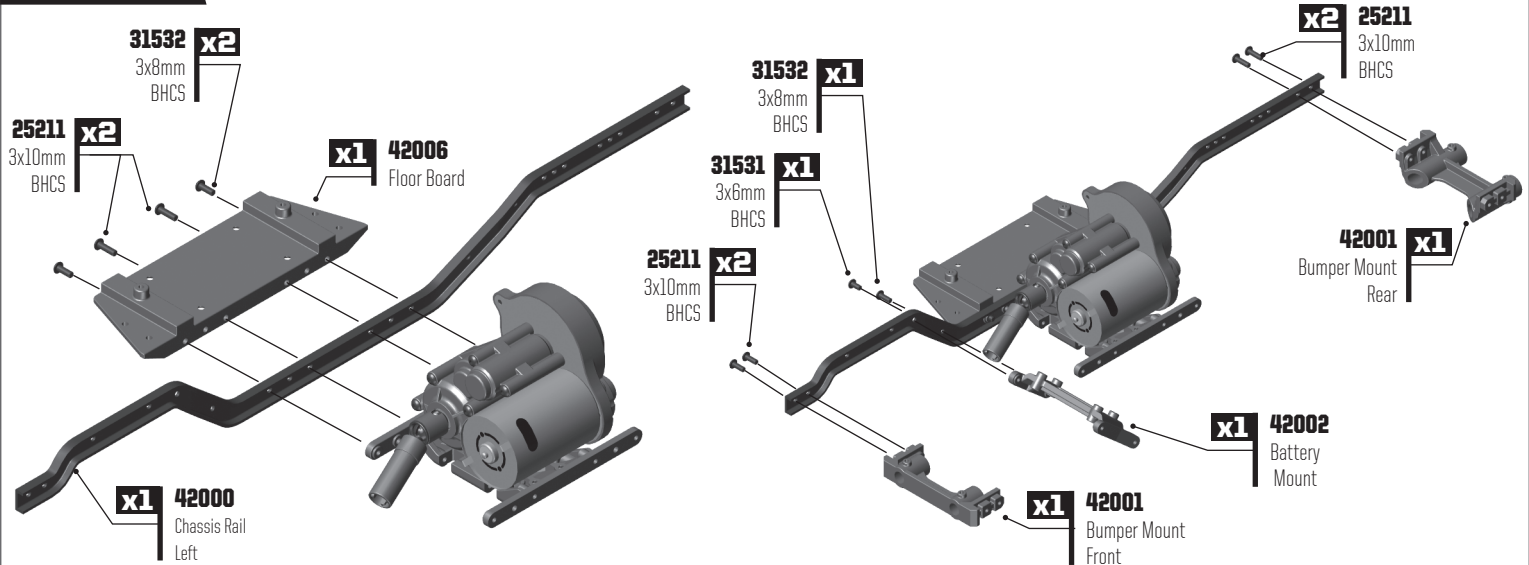
GATE 03 GEARBOX BUILD



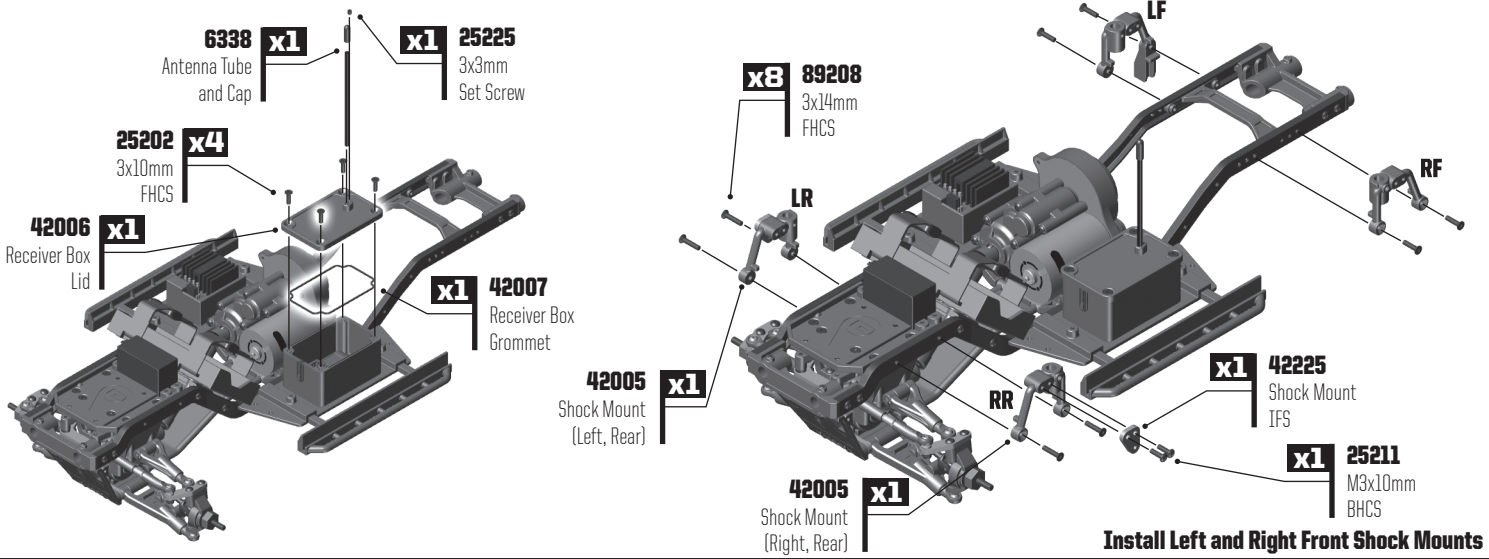
GATE 04 GEARBOX BUILD



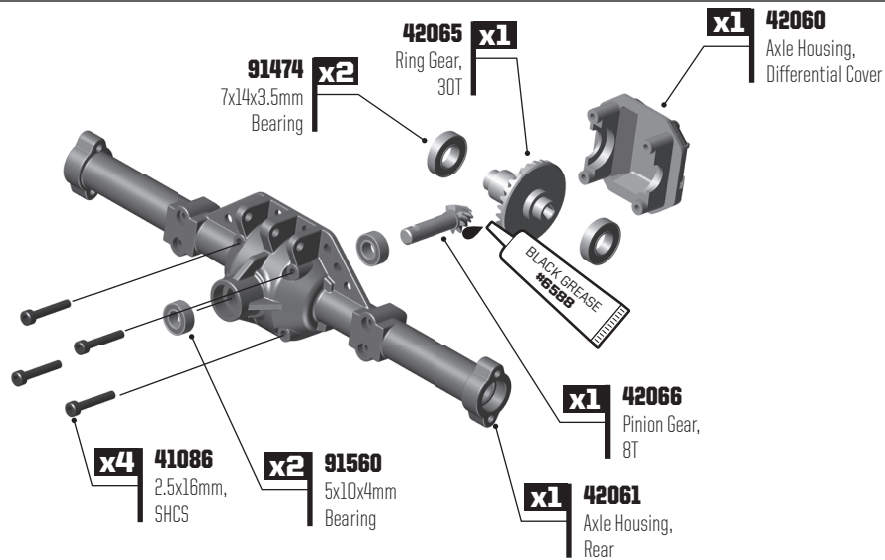
GATE 01 CHASSIS BUILD



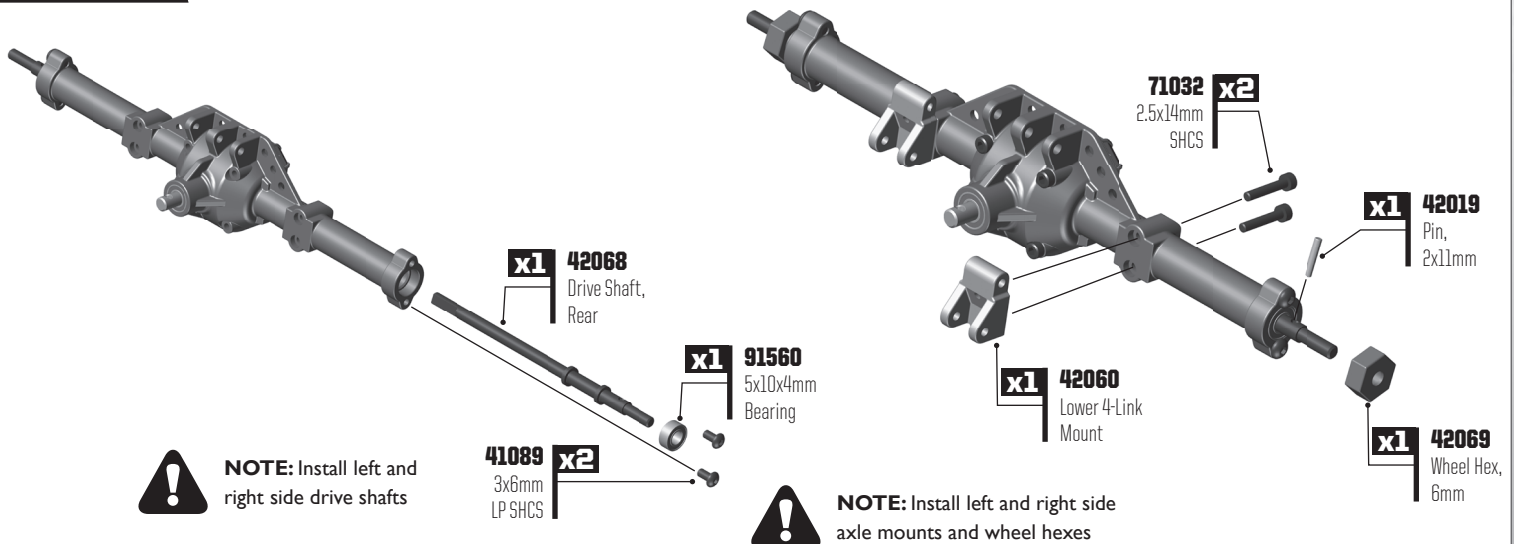
GATE 05 CHASSIS BUILD



GATE 01 REAR AXLE BUILD



GATE 02 REAR AXLE BUILD



GATE 01 LINKS BUILD

NOTE: Build and install two rear upper links

x2 42041 Pivot Ball, Short

BLACK GREASE #6588

x1 42044 Link, 108mm

BLACK GREASE #6588

x2 42040 Rod End, Curved

NOTE: Check the rod end angles before installation

137.00mm

x1 25188 3x20mm BHCS

x1 41078 3x28mm BHCS

x2 25215 M3 Locknut, Black

GATE 02 LINKS BUILD

NOTE: Build and install two rear lower links

x2 42041 Pivot Ball, Short

BLACK GREASE #6588

x1 42044 Link, 114mm

BLACK GREASE #6588

x2 42040 Rod End, Curved

NOTE: Check the rod end angles before installation

143.00mm

x1 4689 3x16mm, Set Screw

GATE 01 REAR DRIVESHAFT BUILD

NOTE: Build a rear drive shaft

x2 42019 Pin, 2x11mm

x1 42020 Drive Shaft, Female (33mm, 42mm)

x2 31532 3x8mm BHCS

42021 Drive Shaft, Male, CVA

x2 42021 Drive Shaft Barrel

THREAD LOCK #1596 NOT INCLUDED

THREAD LOCK #1596 NOT INCLUDED

NOTE: Build a rear drive shaft

x1 42020 Pin Retainer, Short

x1 42020 Drive Shaft, Male (60mm)

NOTE: Install the rear drive shaft

x1 42020 Pin Retainer, Long

Drive Shaft Lengths

	Rear (mm)
Female 1	33
Female 2	42
Male	60

Gearbox Side

42020 Gearbox Side

42020 Axle Side

Axle Side

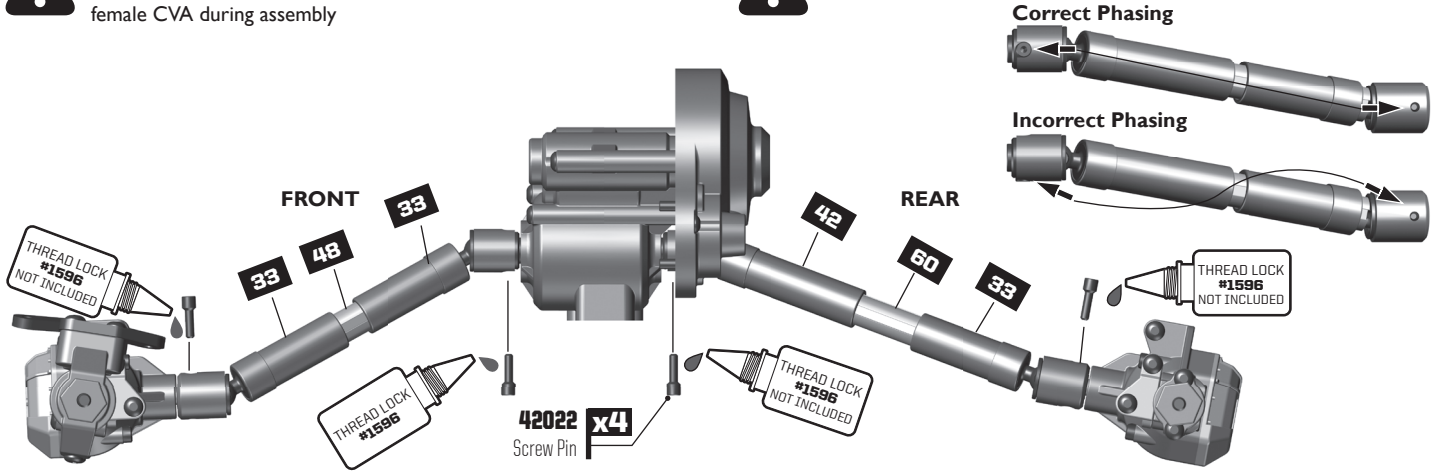
GATE 01 REAR DRIVESHAFT BUILD



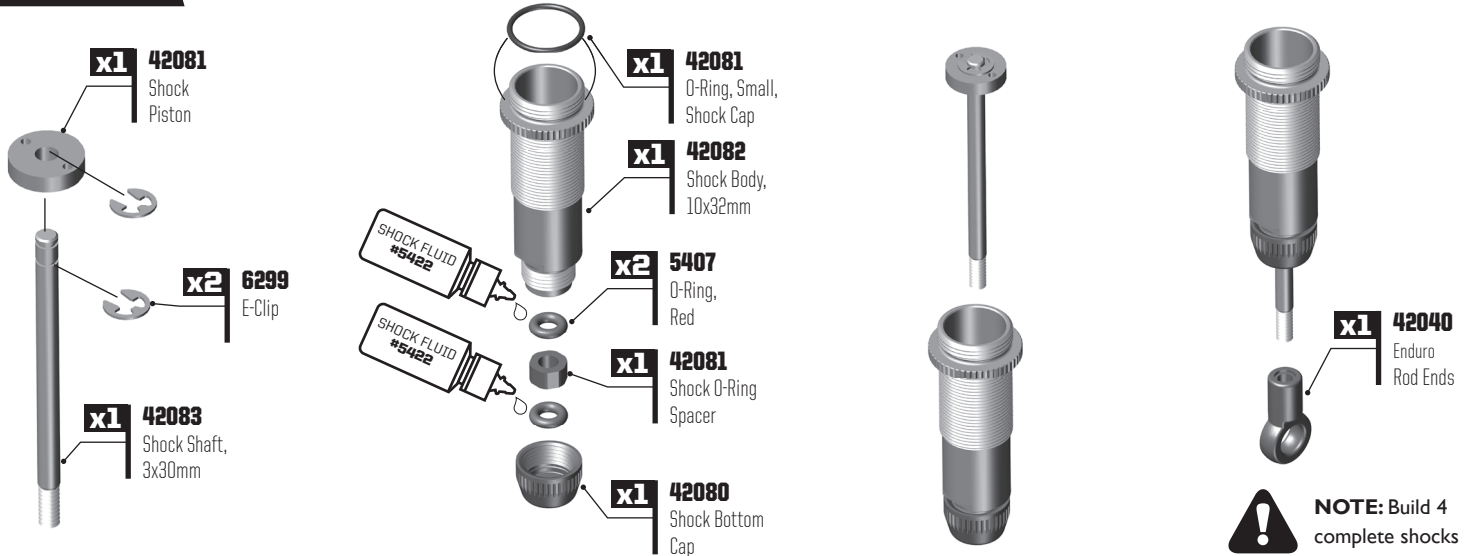
NOTE: Make sure the screw pins are aligned with each female CVA during assembly



NOTE: Make sure the phasing of the drive shafts is correct when installing them to the axles and gearbox.



GATE 01 SHOCK BUILD



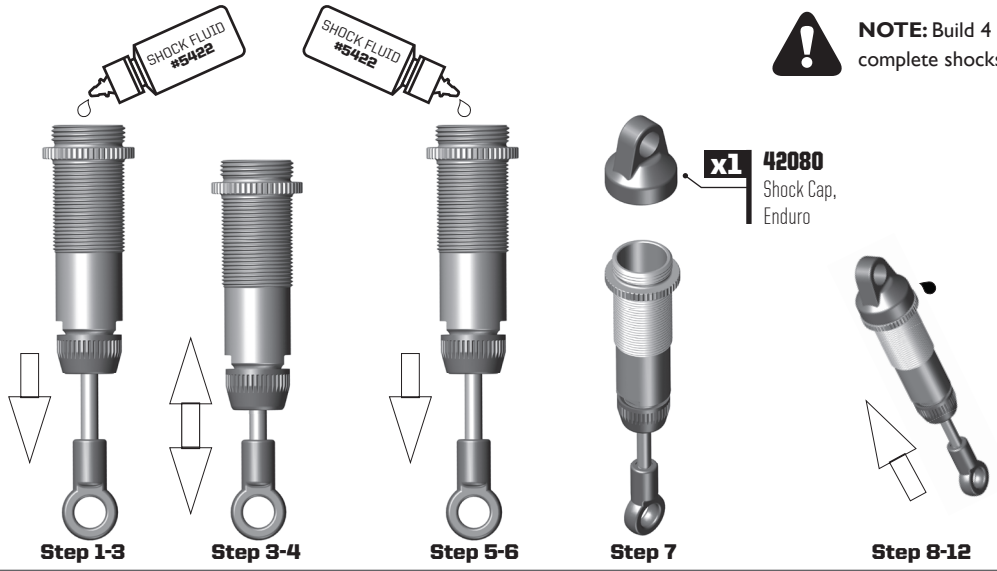
GATE 02 SHOCK BUILD

Shock Bleeding Steps:

1. Pull shock shaft down.
2. Fill shock body 3/4 full with silicone fluid.
3. Slowly move the shock shaft up and down to remove air from under piston.
4. Wait for bubbles to come to surface.
5. Fill shock body to top with silicone fluid.
6. Place a drop of oil in the cap and on cap threads.
7. Install cap and tighten completely.
8. Slowly compress shaft all the way to the top. If there is pressure at the top of the stroke, there is too much oil or air. You must bleed it out.
9. Slowly pull shaft out.
10. Unscrew the cap 3/4 turn and tilt the shock at a slight angle.
11. Slowly compress the shaft to push out excess oil and air. You should see bubbles coming out from under the cap.
12. With the shaft compressed, tighten the cap and re-check for pressure at the top of the stroke. If there is still pressure, repeat steps 9 thru 11.



NOTE: Build 4 complete shocks



GATE 03 SHOCK BUILD

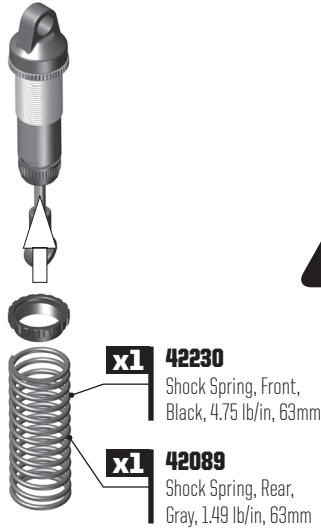


NOTE: Seat O-Ring into the groove on the inside of the shock collar



x1 42081
O-Ring, Large Shock Collar

x1 42080
Shock Collar, Black



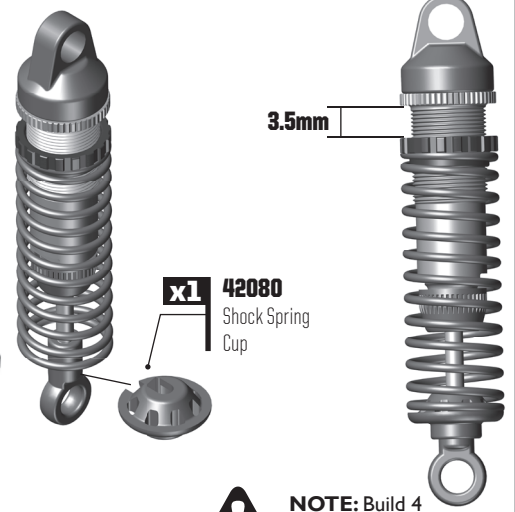
x1 42230
Shock Spring, Front, Black, 4.75 lb/in, 63mm

x1 42089
Shock Spring, Rear, Gray, 1.49 lb/in, 63mm



NOTE: Optional Bump Stop Limiter for the front shocks.

x1 42201
Shock Bumpstop, IFS

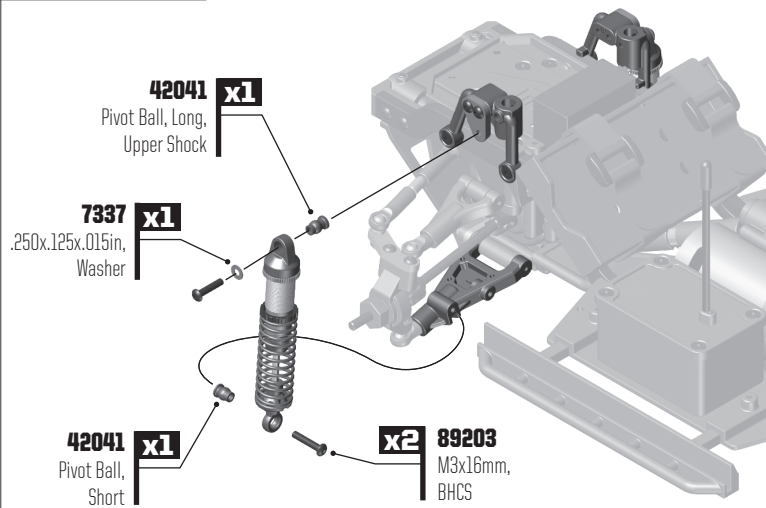


x1 42080
Shock Spring Cup



NOTE: Build 4 complete shocks

GATE 04 SHOCK BUILD

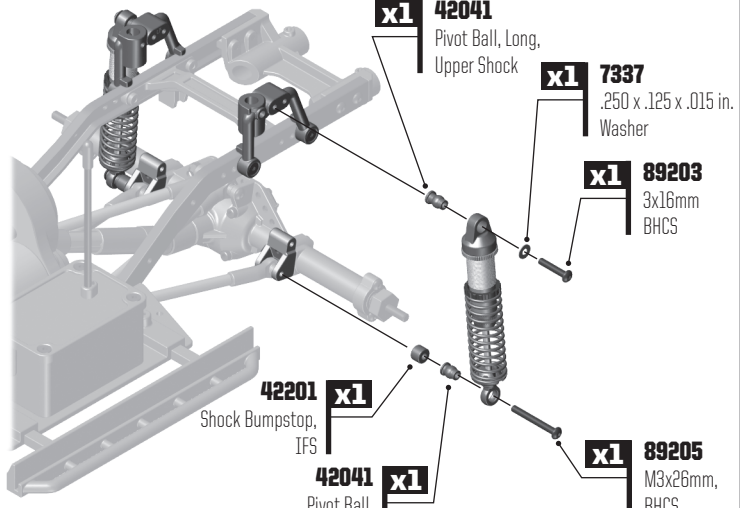


x1 42041
Pivot Ball, Long, Upper Shock

x1 7337
.250x.125x.015in, Washer

x1 42041
Pivot Ball, Short

x2 89203
M3x16mm, BHCS



x1 42041
Pivot Ball, Long, Upper Shock

x1 7337
.250 x .125 x .015 in. Washer

x1 89203
3x16mm BHCS

x1 42201
Shock Bumpstop, IFS

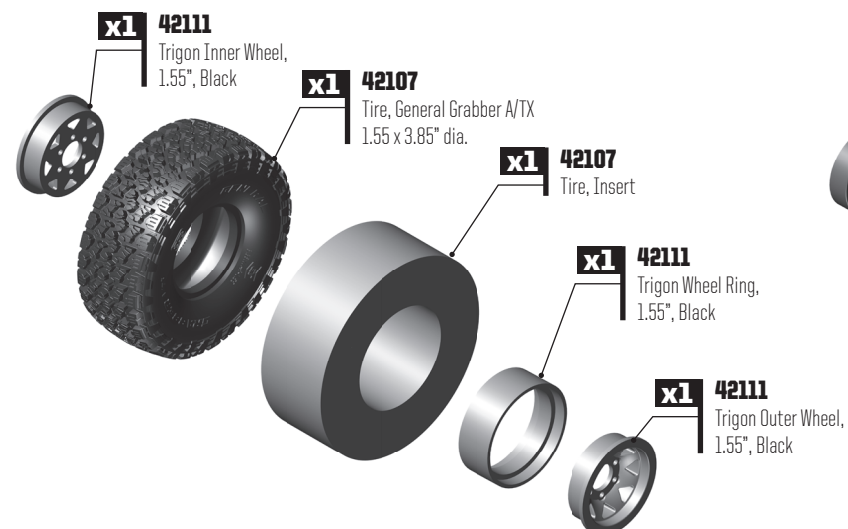
x1 42041
Pivot Ball, Short

x1 89205
M3x26mm, BHCS

Install Left and Right Front Shocks

Install Left and Right Rear Shocks

GATE 01 WHEELS / TIRES BUILD



x1 42111
Trigon Inner Wheel, 1.55", Black

x1 42107
Tire, General Grabber A/TX 1.55 x 3.85" dia.

x1 42107
Tire, Insert

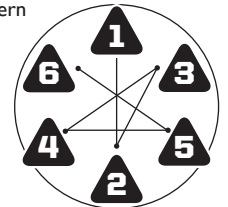
x1 42111
Trigon Wheel Ring, 1.55", Black

x1 42111
Trigon Outer Wheel, 1.55", Black

x1 42111
Trigon Wheel Hex Adapter, Black



NOTE: Install #41088 screws in a crossing pattern



x6 41088
2.6x10mm BHCS Self Tapping



NOTE: Build 4 wheels/tires

GATE 02 WHEELS / TIRES BUILD

2308 x2 3x18mm, BHCS

x1 25211 3x10mm BHCS

x1 42247 Trailrunner Exhaust, Magnaflow

x2 25391 FT M4 Locknut, Blue

x2 42111 Trigon Wheel Nut Cap, Black

NOTE: Install 4 wheels/tires

GATE 01 BODY BUILD

NOTE: Install 2 front body mounts, 1 tall rear body mount

Front Post **Rear Post**

x2 42009 Body Mount, Short Pin

x1 42009 Body Mount, Long Pin

x4 42022 Screw Pin

GATE 02 BODY BUILD

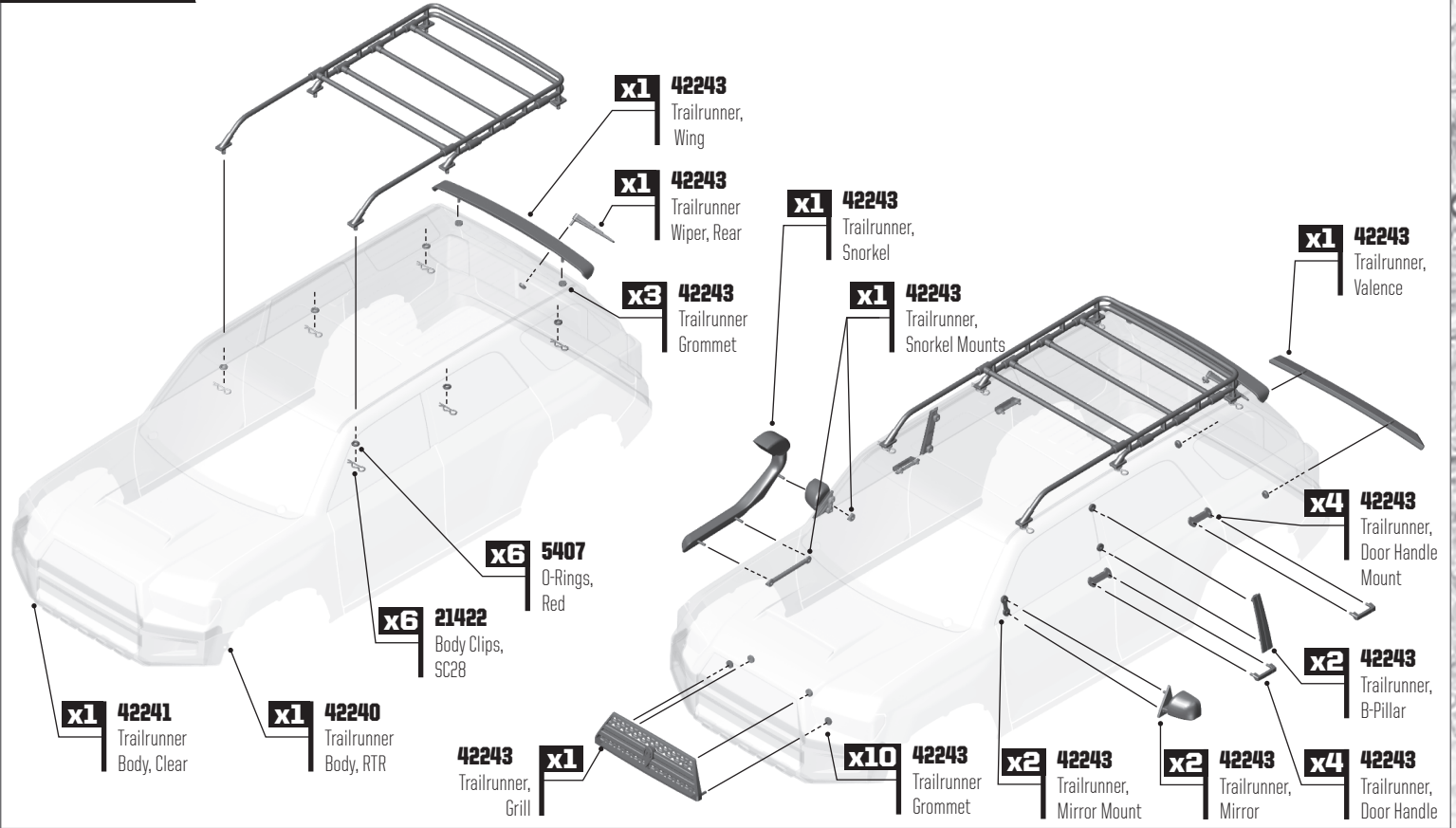
x1 42243 Trailrunner Rack, Right

x2 42243 Pin, 2x20mm

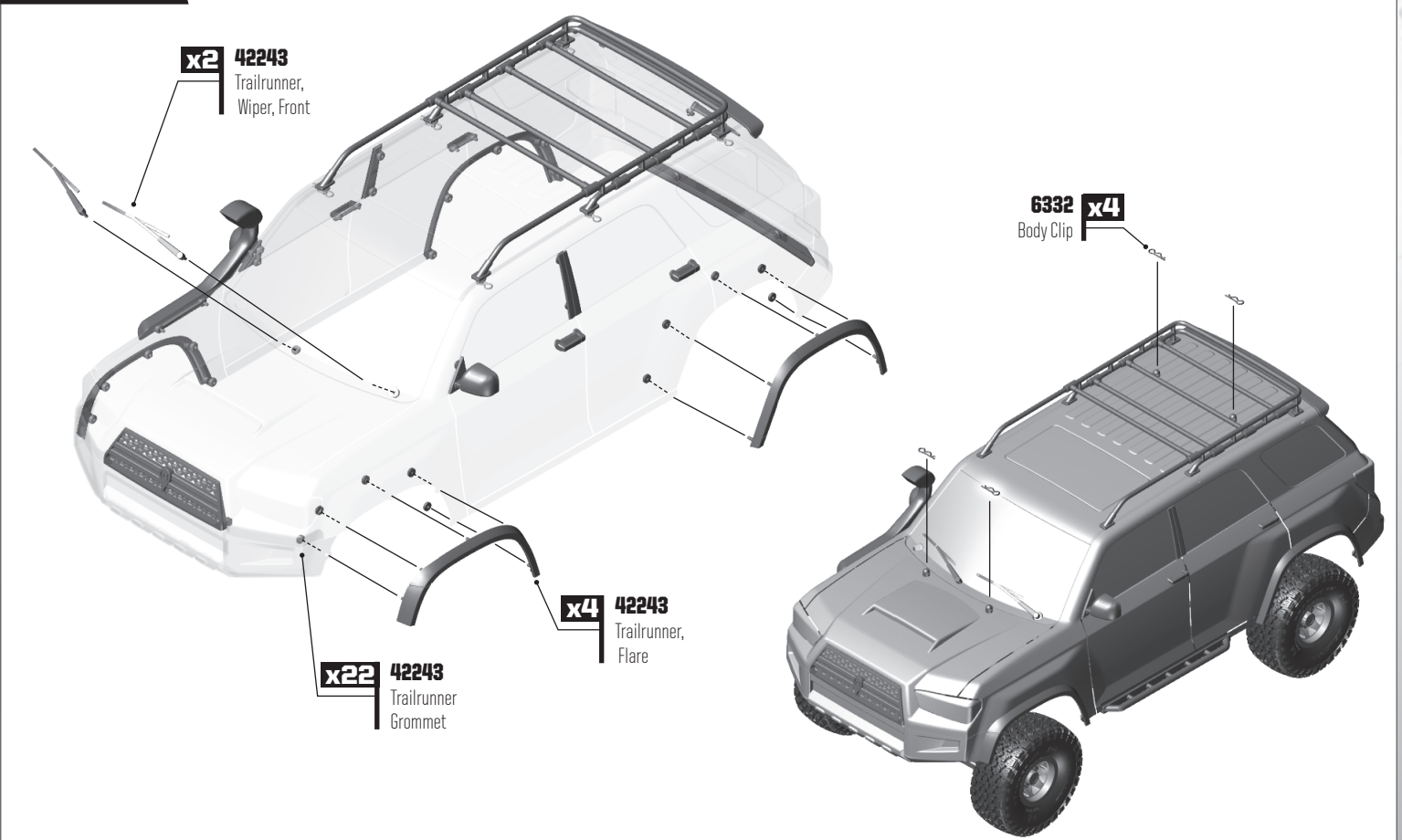
x1 42243 Trailrunner Rack, Left

x4 42243 Trailrunner Rack, Center Bar

GATE 03 BODY BUILD



GATE 04 BODY BUILD



GATE 05 BODY BUILD - OPTIONAL BUMPER SETUPS



- STANDARD** Full polycarbonate bumper (RTR)
- OPTION 1** Center plastic bumper, polycarbonate sides (Trim body on dotted lines shown)
- OPTION 2** Full plastic bumper (Remove polycarbonate bumper)

x1 42244 Trailrunner Bumper, Right

x4 25211 3x10mm BHCS

x1 42244 Trailrunner Bumper, Center

x2 31532 3x8mm, BHCS

x2 41079 2.5x6mm, SHCS

x1 42244 Trailrunner Fairlead

x2 42244 D-Ring, Molded

x2 91158 3x4mm BHCS

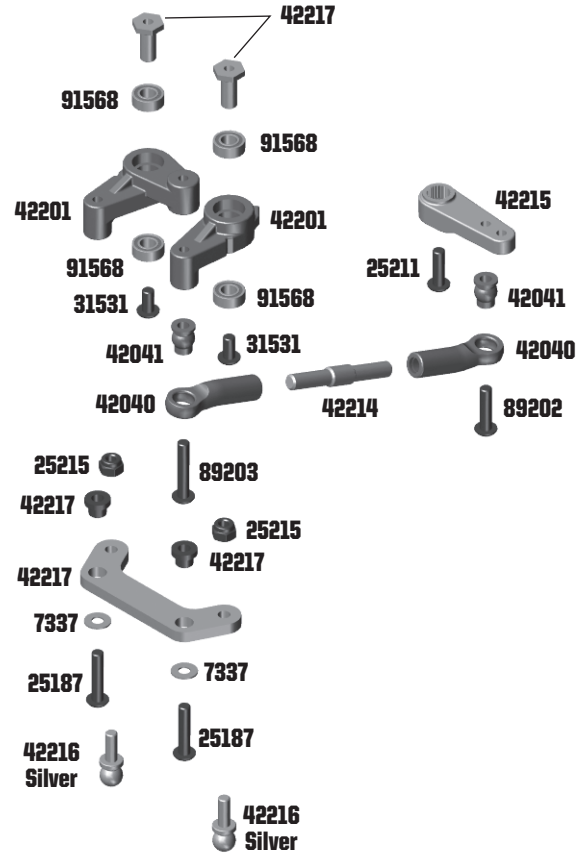
x1 42244 Trailrunner Bumper, Left

GATE 06 BODY BUILD - OPTIONAL BUMPER SETUPS

x2 25188 3x20mm BHCS

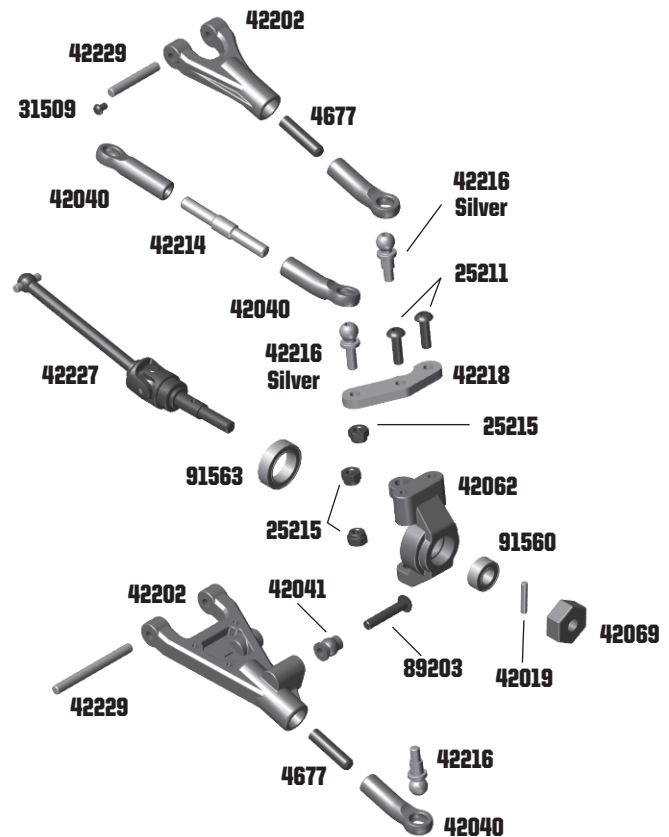
IFS Steering

7337	Washers, .250 x .125 x .015	4
25187	M3x14mm BHCS	10
25211	M3x10mm BHCS	10
25215	Locknuts, M3	10
31531	M3x6mm BHCS	10
42040	Enduro Rod Ends, Set	1
42041	Enduro Pivot Ball Set	1
42201	Enduro IFS Steering Bellcranks	1
42214	Enduro IFS Links	3
42215	Enduro IFS Servo Horn	1
42216	Enduro IFS Ballstuds, 5.8mm Set	1
42217	Enduro IFS Steering Rack	1
89202	M3x12mm BHCS	10
89203	M3x16mm BHCS	10
91568	M4x8x3mm Bearings	4



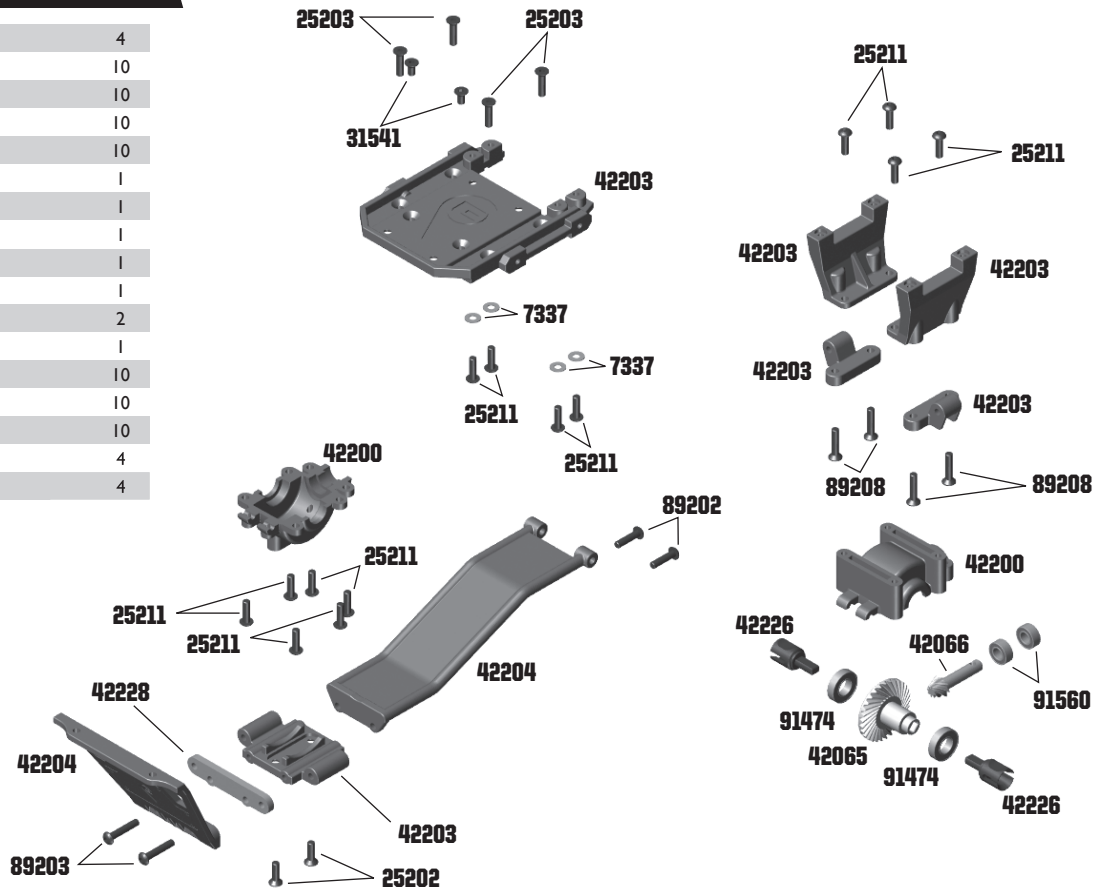
IFS Arms

4677	M4x16mm Set Screw	10
25211	M3x10mm BHCS	10
25215	Locknuts, M3	10
31509	M2x3mm BHCS	10
42019	M2x11mm Driveshaft Pins	10
42040	Enduro Rod Ends, Set	1
42041	Enduro Pivot Ball Set	1
42062	Enduro Caster and Steering Blocks Set	1
42069	Enduro Wheel Hexes, 6mm	4
42202	Enduro IFS Suspension Arms Set	1
42214	Enduro IFS Links, 32mm	3
42216	Enduro IFS Ballstuds, 5.8mm Set	1
42218	Enduro IFS Steering Plates	1 ea.
42227	Enduro IFS Universals 55mm	2
42229	Enduro IFS Hinge Pins Set	1
89203	M3x16mm BHCS	10
91560	FT M5x10x4mm Bearings	4
91563	FT M10x15x4mm Bearings	4



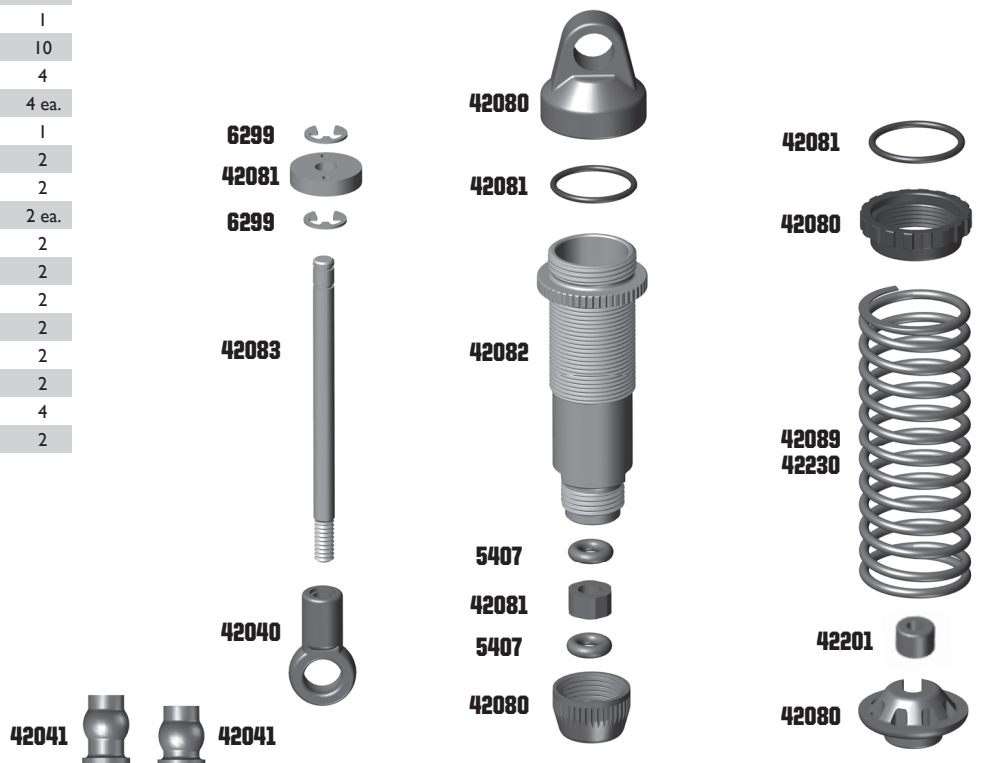
IFS Front End

7337	Washers, .250 x .125 x .015	4
25202	M3x10mm FHCS	10
25203	M3x12mm FHCS	10
25211	M3x10mm BHCS	10
31541	M3x6mm FHCS	10
42065	Enduro Ring Gear, 30T	1
42066	Enduro Pinion Gear, 8T	1
42200	Enduro IFS Gearbox	1
42203	Enduro IFS Gearbox and Servo Mounts	1
42204	Enduro IFS Skid Plates	1
42226	Enduro IFS Outdrives	2
42228	Enduro IFS Bulkhead Brace	1
89202	M3x12mm BHCS	10
89203	M3x16mm BHCS	10
89208	M3x14mm FHCS	10
91474	M7x14x3.5mm Bearings	4
91560	FT M5x10x4mm Bearings	4



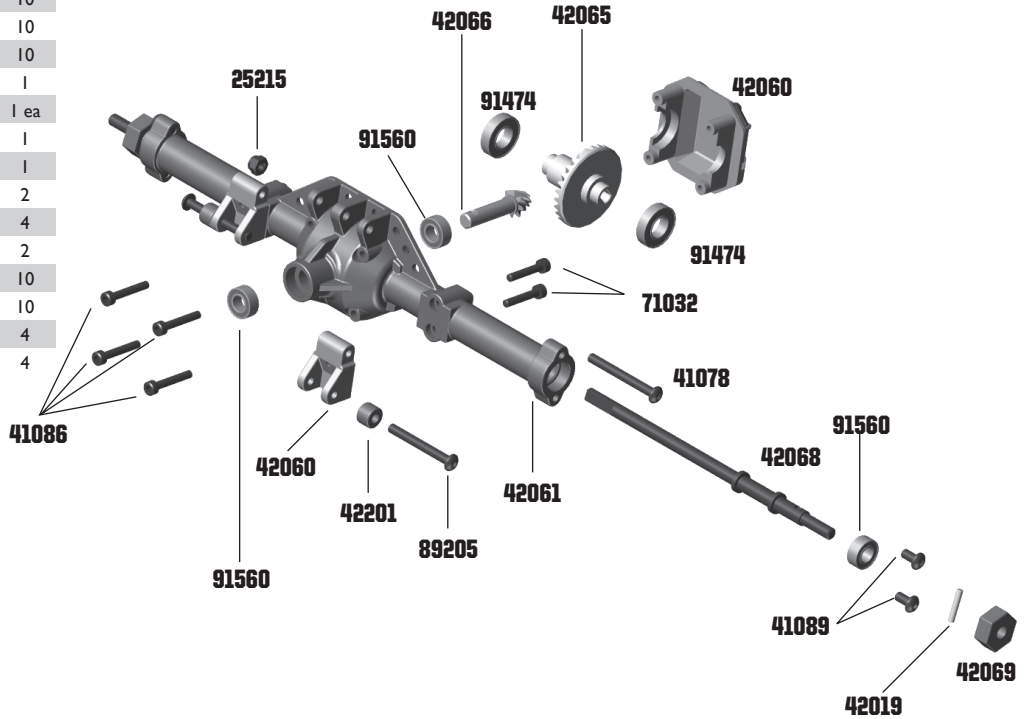
Shocks

5407	O-Rings, Red, Silicone	8
6299	E-Clipp, 1/8"	12
42040	Enduro Rod Ends	2
42041	Enduro Pivot Balls Set	1
42054	FT Enduro Pivot Ball, Steel	10
42055	FT Enduro Shock Bushing, Steel	4
42080	Enduro Shock Parts	4 ea.
42081	Enduro Shock Internals	1
42082	Enduro Shock Body, Silver, 10x32mm	2
42083	Enduro Shock Shaft, 3x30mm	2
42085	Enduro Shock Parts, Blue Aluminum	2 ea.
42086	FT Enduro Shock Body, Bronze, 10x32mm	2
42087	Shock Spring, Green 0.71 lb/in, 63mm Long	2
42088	Shock Spring, White, 0.95 lb/in, 63mm Long	2
42089	Shock Spring, Gray, 1.49 lb/in, 63mm Long - KIT	2
42090	Shock Spring, Blue, 2.09 lb/in, 63mm Long	2
42091	Shock Spring, Yellow, 2.47 lb/in, 63mm Long	2
42201	IFS Shock Bump Stops	4
42230	Shock Spring, Black, 4.75 lb/in, 63mm Long	2



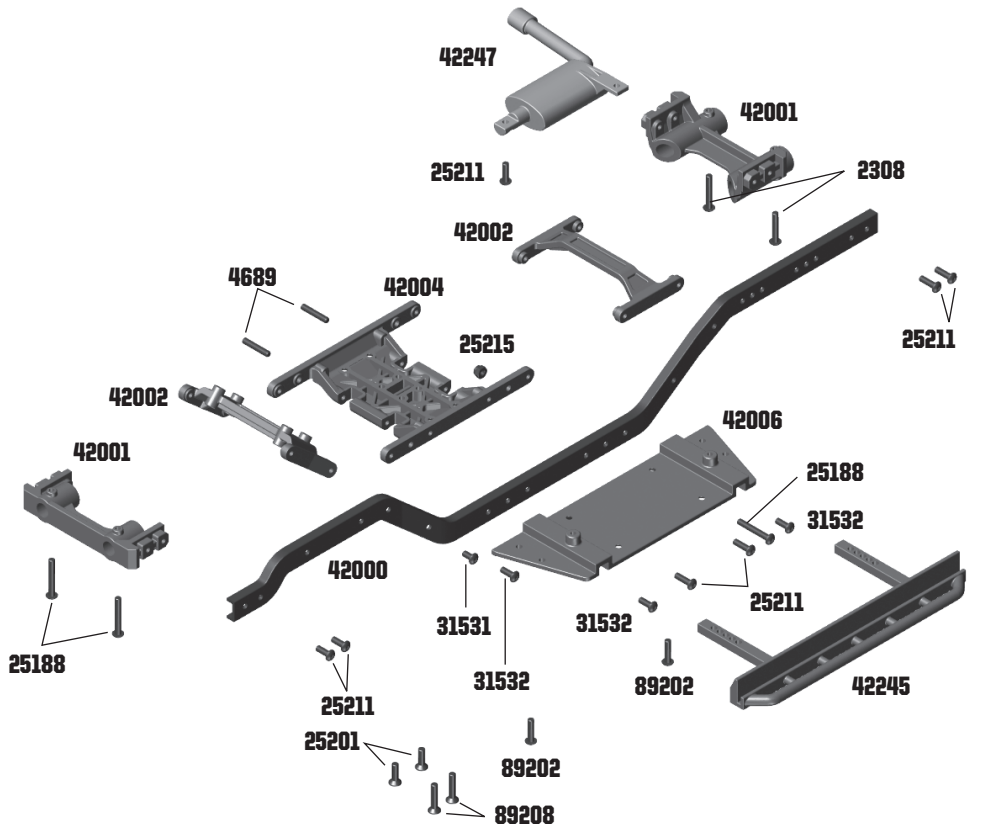
Rear Axle

25215	M3 Locknut	10
41078	M3x28mm BHCS	10
41086	M2.5x16mm SHCS	10
41089	M3x6mm LP SHCS	10
42019	Enduro 2x11mm Pin	10
42060	Enduro Diff Cover and Lower 4-Link Mounts	1
42061	Enduro Axle Housing (Front, Rear)	1 ea
42065	Enduro Ring Gear, 30T	1
42066	Enduro Pinion Gear, 8T	1
42068	Enduro Rear Drive Shaft, 80mm	2
42069	Enduro Wheel Hex, 6mm	4
42201	IFS Shock Bump Stop	2
71032	M2.5x14mm SHCS	10
89205	M3x26mm BHCS	10
91474	FT Bearings, 7x14x3.5mm	4
91560	FT Bearings, 5x10x4mm	4



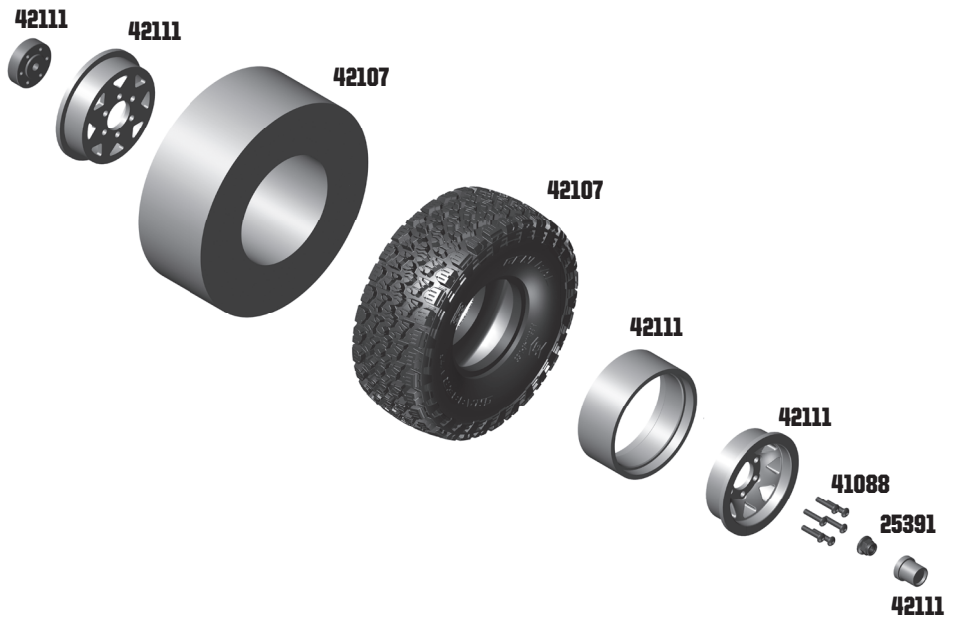
Chassis

2308	M3x18mm BHCS	10
4689	M3x16mm Set Screw	10
25188	M3x20mm BHCS	10
25201	M3x8mm FHCS	10
25211	M3x10mm BHCS	10
25215	M3 Locknuts	10
31531	M3x6mm BHCS	10
31532	M3x8mm BHCS	10
42000	Enduro Chassis Rail Set	1
42001	Enduro Bumper Mount Set (Front, Rear)	1 ea.
42002	Enduro Frame Mounting Plates	1 ea.
42004	Enduro Gearbox and Servo Mounts	1 ea.
42006	Enduro Floor Boards and Receiver Box	1 ea.
42245	Trailrunner Rock Sliders	2
42247	Trailrunner Exhaust, Magnaflow	1
89202	M3x12mm BHCS	10
89208	M3x14mm FHCS	10



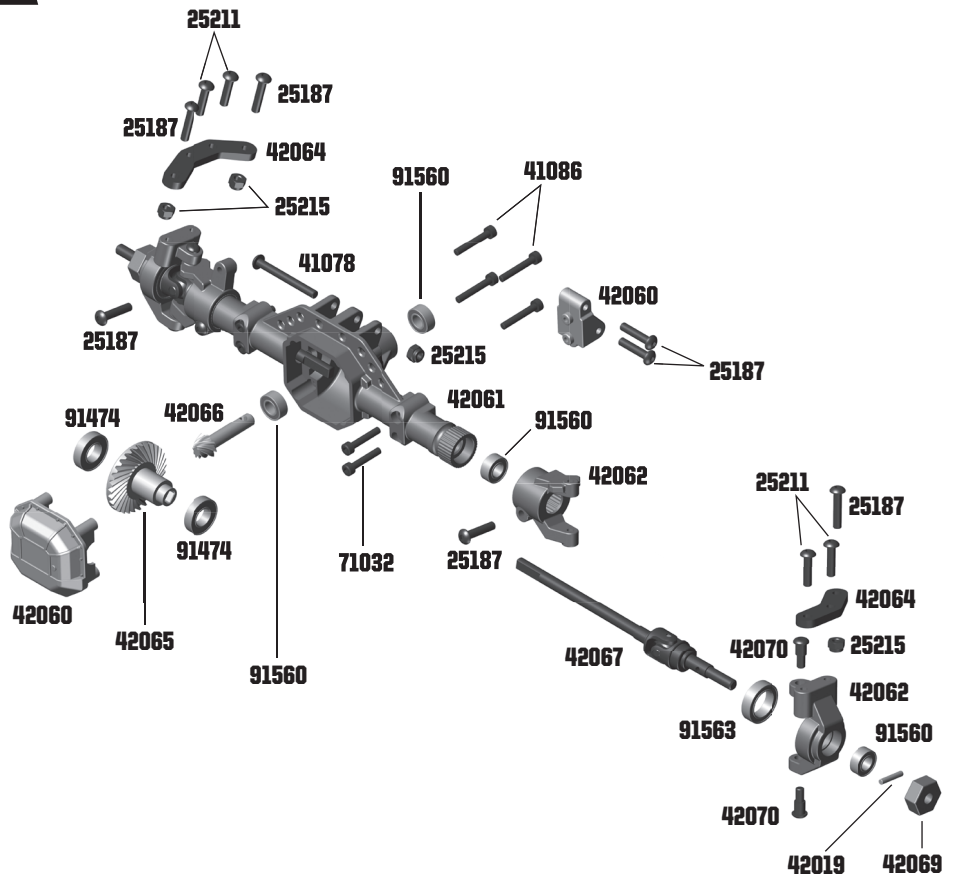
Wheel/Tire

25391	FT M4 Locknuts, Blue	10
41088	M2.6x10mm	10
42100	Enduro Method 701 Trail Series Wheel, 1.9" Bronze	4
42101	Enduro Method 701 Trail Series Wheel, 1.9" Black	4
42102	FT Enduro Beadlock Rings, Brass	4
42103	FT Enduro Beadlock Hex Adapter, Aluminum	4
42104	FT Enduro Beadlock Hex Adapter, Brass	4
42105	FT Tire Insert, 1.9"	2
42106	General Grabber X3 Tire w/Insert (1.9x4.65" DIA)	2
42107	General Grabber ATX Tire w/Insert - KIT (1.55" x 3.85" DIA)	2
42108	Enduro The Ocho Wheel, 1.9" Silver	4
42109	Enduro The Ocho Wheel, 1.9" Black	4
42110	Enduro Trigon Wheel, 1.55" Silver	4
42111	Enduro Trigon Wheel, 1.55" Black	4



Front Axle - Optional

25187	M3x14mm BHCS	10
25211	M3x10mm BHCS	10
25215	M3 Locknut	10
41078	M3x28mm BHCS	10
41086	M2.5x16mm SHCS	10
42019	Enduro 2x11mm Pin	10
42060	Enduro Diff Cover and Lower 4-Link Mounts	1
42061	Enduro Axle Housing (Front, Rear)	1 ea.
42062	Enduro Caster Blocks and Steering Blocks	1 ea.
42064	Enduro Steering Block Arms	1 ea.
42065	Enduro Ring Gear, 30T	1
42066	Enduro Pinion Gear, 8T	1
42067	Enduro Front Universal, Driveshaft, 80mm	2
42069	Enduro Wheel Hex, 6mm	4
42070	Enduro Shoulder Screw (M3x10mm)	6
71032	M2.5x14mm SHCS	10
91474	FT Bearings, 7x14x3.5mm	4
91560	FT Bearings, 5x10x4mm	4
91563	FT Bearings, 10x15x4mm	4



SHOCK FLUIDS

5420	10 Weight Silicone Shock Fluid	2oz.
5421	20 Weight Silicone Shock Fluid	2oz.
5422	30 Weight Silicone Shock Fluid	2oz.
5423	40 Weight Silicone Shock Fluid	2oz.
5424	22.5 Weight Silicone Shock Fluid	2oz.
5425	80 Weight Silicone Shock Fluid	2oz.
5426	27.5 Weight Silicone Shock Fluid	2oz.
5427	15 Weight Silicone Shock Fluid	2oz.
5428	25 Weight Silicone Shock Fluid	2oz.
5429	35 Weight Silicone Shock Fluid	2oz.
5430	45 Weight Silicone Shock Fluid	2oz.
5431	55 Weight Silicone Shock Fluid	2oz.
5432	32.5 Weight Silicone Shock Fluid	2oz.
5433	37.5 Weight Silicone Shock Fluid	2oz.
5434	42.5 Weight Silicone Shock Fluid	2oz.
5435	50 Weight Silicone Shock Fluid	2oz.
5436	60 Weight Silicone Shock Fluid	2oz.
5437	70 Weight Silicone Shock Fluid	2oz.
5438	47.5 Weight Silicone Shock Fluid	2oz.

BODIES & DECALS

5407	O-Rings, Red, Silicone	8
6332	Body Clips	10
7187	M2x8mm SHCS	10
21173	Body Clips, Small	10
25203	M3x12mm FHCS	10
31509	M2x3mm BHCS	10
31511	M2x5mm SHCS	10
31531	M3x6mm BHCS	10
41079	M2.5x6mm SHCS	10
42120	Sendero Body Set, Clear (with Black Body Accessories)	1
42121	Sendero Body, Clear (Cab, Bed, Window Masks)	1
42122	Sendero Body Decal Sheet	1
42123	Sendero Body Accessories, Black	1
42124	Sendero Body Accessories, Chrome	1
42125	Sendero Body Accessories, Satin Chrome	1
42126	Sendero Bumpers (Front, Rear, and Fairlead), Black	1
42127	FT Sendero Fairlead, Aluminum	1
42128	FT Sendero Fairlead, Gunmetal Aluminum	1
42129	FT Sendero Fairlead, Green Aluminum	1
42130	FT Sendero Fairlead, Blue Aluminum	1
42132	Sendero Inner Fenders	1
42133	Element Decal Sheet	1
42140	Trail Walker Body Set, Clear	1
42141	Trail Walker Body, Clear	1
42142	Trail Walker Decal Set	1
42143	Trail Walker Body Accessories, Black	1
42144	Trail Walker Body Accessories, Silver	1
42145	Trail Walker Body Accessories, Grommets	1
42147	Trail Walker Body, Rear Shell	1
42241	Trailrunner Body Set, Clear	1
42242	Trailrunner Decal Sheet	1
42243	Trailrunner Body Accessories	1
42244	Trailrunner Bumper Set	1
42245	Trailrunner Rock Sliders	2
42246	Trailrunner Rock Sliders, Hard	2
42247	Trailrunner Exhaust, Magnaflow	1

OPTION PARTS

42010	Enduro Bumper Mounts, Hard	1
42013	Enduro Shock Mount Set, Hard	1
42014	Enduro Floor Board, Receiver Box, Hard	1
42015	Enduro Rock Slider, Hard	1
42018	Enduro 12.8" Wheelbase Conversion	1
42024	Stealth X Gearbox Top Shaft, Inverse Gearbox	1
42031	FT Stealth X Gearbox Idler Gear Set, Machined	1
42032	FT Stealth X Gearbox Drive Gear Set, Machined	1
42033	FT Stealth X Spur Gear Hub, Aluminum	2
42034	Stealth X Gearbox, Complete	1
42045	FT Enduro High Clearance Link Set	1
42054	FT Pivot Ball, Steel (6mm)	10
42055	FT Pivot Ball, Shock Bushing, Steel	4
42056	FT Enduro Pivot Ball Set, Steel	1
42058	FT Enduro Ring Gear Spool	1
42059	FT Enduro Ring Gear, Machined 30T	1
42071	Enduro Diff Cover and Lower 4-Link Mounts, Hard	1
42072	Enduro Axle Housing (Front, Rear), Hard	1 ea
42073	Enduro Caster and Steering Blocks, Hard	1
42076	FT Enduro Wheel Hex, 6mm (w/Set Screw) Steel	4
42078	FT Enduro Shock Set, 10x90mm	1
42077	Enduro Axle Kit, Complete (Builds either 1 front or 1 rear axle)	1
42085	Enduro Shock Parts, Blue Aluminum	2 ea.
42086	FT Enduro Shock Bodies, Bronze, 10x32mm	2
42103	FT Enduro Beadlock Hex Adapters, Aluminum	4
42104	FT Enduro Beadlock Hex Adapters, Brass	4
42105	FT Tire Inserts, 1.9", 4.56 Inner Diameter	2
42206	Enduro IFS Steering Bellcranks, Hard	1
42207	Enduro IFS Suspension Arms, Hard	1
42208	Enduro IFS Gearbox and Servo Mounts Set, Hard	1
42209	Enduro IFS Skid Plates, Hard	1

PINIONS / SPUR GEARS

1335	17T 48P Aluminum Pinion Gear	1
1336	18T 48P Aluminum Pinion Gear (Kit)	1
1337	19T 48P Aluminum Pinion Gear	1
1338	20T 48P Aluminum Pinion Gear	1
1339	21T 48P Aluminum Pinion Gear	1
1340	22T 48P Aluminum Pinion Gear	1
1341	23T 48P Aluminum Pinion Gear	1
1342	24T 48P Aluminum Pinion Gear	1
1343	25T 48P Aluminum Pinion Gear	1
1344	26T 48P Aluminum Pinion Gear	1
1345	27T 48P Aluminum Pinion Gear	1
9652	78T 48P Spur Gear	1
9653	84T 48P Spur Gear	1
9654	87T 48P Spur Gear (Kit)	1

LUBES & ADHESIVES

1105	FT Green Slime Shock Lube	1
1596	FT Locking Adhesive	1
1597	FT Tire Adhesive, medium	1
6588	Black Grease - 4cc	1
6591	S.Diff Lube - 4cc	1
6636	Silicone Grease - 4cc	1
6727	Servo Tape	2

XP / AE ELECTRONICS

29204	AE XP-R4 2.4GHz 4CH Receiver	
29257	AE XP130 2.4GHz 3CH Radio System	
29262	ESS-One+ 2017 Engine Sound System	
29263	ESS-Dual+ Engine Sound System	
29264	ESS-Air Engine Sound System	
29265	XP Police Light Bar, 1:10 Scale	
29266	XP LED RC Light Kit (12 LED's)	
29267	XP LED Roof Light Kit (4 LED's)	
29268	XP LED Roof Light Kit (6 LED's)	
29272	XP 5 LED Aluminum Light Bar, 88mm	
29273	XP 7 LED ALuminum Light Bar, 120mm	
29274	XP 10 LED Aluminum Light Bar, 170mm	
29275	XP LED Light Bar Hardware	
29277	XP Head and Tail Light Kit	
29279	XP LED Rock Light Set, 150mm	
29290	XP DSV System	

REEDY ELECTRONICS

MOTORS

27424	Reedy Radon2 Crawler 16T 5-Slot 1850kV Brushed Motor	
27425	Reedy Radon 2 15T 3-Slot 4100Kv Brushed Motor	
27426	Reedy Radon 2 17T 3-Slot 3600Kv Brushed Motor	
27427	Reedy Radon 2 19T 3-Slot 3200Kv Brushed Motor	
27430	Reedy Crawler 16T 5-Slot RTR Brushed Motor	
27431	Reedy Radon2 Crawler 12T 5-Slot 2700kV Brushed Motor	
27432	Reedy Radon2 Crawler 20T 5-Slot 1500kV Brushed Motor	

ESC's (SPEED CONTROLLERS)

29199	Reedy SC400X Brushed Crawler ESC	
-------	----------------------------------	--

SERVOs & SERVO ACCESSORIES

27100	RS1206 Digital HV Hi-Speed Competition Servo	
27101	RT1508 Digital HV Hi-Torque Competition Servo	
27102	RS1206 Servo Case Set w/screws	
27103	RS1206 Servo Gear Set	
27104	RT1508 Servo Case Set w/screws	
27105	RT1508 Servo Gear Set	
27110	0712MG Digital RTR Servo	
27111	1514MG Digital RTR Servo	
27114	RT2406 Digital HV Brushless Competition Servo	
27115	RT2706A Digital HV Aluminum Brushless Competition Servo	
27116	RC2312 Digital HV Competition Crawler Servo	
27122	Reedy Aluminum Servo Horn (25)	
27123	Reedy Aluminum Clamping Servo Horn (25)	
27129	0712MG Servo Gear Set	
27130	1514MG Servo Gear Set	
27135	RT2406 Gear Set	
27136	RT2706A Gear Set	
27139	RT2406 Case Set	
27140	RC2312 Gear Set	
27141	RC2312 Case Set	
27142	1320MG Digital RTR Servo	

REEDY BATTERIES / CHARGERS

BATTERIES

302	AA Alkaline 1.5V (4)	
682	Wolfpack 3000mAh 7.2V w/T-Plug connector	
751	Wolfpack LiPo 3300mAh 30C 7.4V w/T-Plug (#730)	
752	Wolfpack LiPo 4000mAh 35C 7.4V w/T-Plug (#731)	
753	Wolfpack LiPo 5400mAh 35C 7.4V w/T-Plug (#732)	
754	Wolfpack LiPo 7500mAh 30C 7.4V w/T-Plug (#734)	
755	Wolfpack LiPo 4500mAh 35C 11.1V w/T-Plug (#735)	
758	Wolfpack LiPo 3000mAh 30C 7.4V Shorty w/T-Plug	
759	Wolfpack LiPo 3000mAh 30C 11.1V Shorty w/T-Plug	
27313	LiPo Pro TX/RX 2400mAh 7.4V Flat	
27315	LiFe Pro TX/RX 1600mAh 6.6V Flat	

CHARGERS

27200	I216-C2 Dual AC/DC Competition Battery Charger	
27200CN	I216-C2 Dual AC/DC Competition Battery Charger - CHN Plug	
27200EU	I216-C2 Dual AC/DC Competition Battery Charger - EURO Plug	
27200UK	I216-C2 Dual AC/DC Competition Battery Charger - UK Plug	
27201	324-S AC LiPo/LiFe Compact Balance Charger	
27201C2	324-S Charger w/3300mAh 7.4V LiPo Battery	
27201C2	324-S Charger w/4500mAh 11.1V LiPo Battery	
27202	I23-S AC LiPo Compact Balance Charger	

CHARGER ACCESSORIES

27220	7-in-1 Universal Charge Lead (4mm)	
27221	T-plug Charge Lead (4mm)	
27222	XH 2-6S Balance Board (4mm)	
27223	RX Charger Lead FUT (4mm)	
27224	US to IEC 320 C5 angle IMAC Power Cord	
27225	US to IEC 320 C5 angle .5M AC Power Cord	
27226	EU to IEC 320 C5 angle IMAC Power Cord	
27227	UK to IEC 320 C5 angle IMAC Power Cord	
27228	AU to IEC 320 C5 angle IMAC Power Cord	
27229	CN to IEC 320 C5 angle IMAC Power Cord	

REEDY ACCESSORIES

647	Silicone Wire 12AWG-Black (1m)	
648	Silicone Wire 14AWG-Black (1m)	
650	Shrink Tubing - 15pcs 4.5mm x 20mm	
790	Silicone Wire 13AWG-Black (1m)	
791	Silicone Wire 13AWG-Black (30m)	
27304	LiPo Battery Weight Set - Shorty	
27433	Reedy Radon 2 Brush and Spring Set	
27434	Reedy Radon 2 Wire Set	

APPAREL / PROMOTIONAL

TEE SHIRTS

SP124*	AE 2017 Worlds Tee, Black (S, M, L, XL-5XL)	I
SP126*	Team Associated Tri T-Shirt, Black (S, M, L, XL-5XL)	I
SP140*	Reedy Heritage Tee, Black (S, M, L, XL-5XL)	I
SP200*	Element RC Logo Tee, Gray (S, M, L, XL-5XL)	I
SP201*	Element RC Rhombus Tee, Black (S, M, L, XL-5XL)	I

HOODIES/JACKETS

SP142*	Reedy W19 Hoodie - Black (S, M, L, XL-3XL)	I
SP230	Element RC Zip Up, Black (S, M, L, XL-5XL)	I
SP231	Element RC Hoodie, Black (S, M, L, XL-5XL)	I
SP250	Element RC Jacket, Black (S, M, L, XL-2XL)	I

HATS

SP20	AE Patch Trucker Hat	I
SP430	Reedy Trucker Hat 2018	I
SP260	Element RC Hat, Curved Bill, Black	I
SP261	Element RC Hat, Flat Bill, Black	I
SP262	Element RC Beanie, Black	I

BANNERS/MATS CARRIERS

SP29	Team Associated Countertop/Setup Mat	I
SP30	Team Associated Pit Mat	I
SP31	Reedy Countertop/Setup Mat	I
SP115	Reedy Circuit Cloth Banner	I
SP280	Element RC Counter Top Mat	I
SP281	Element RC Pit Mat	I
SP282	Element RC Pit Towel	I
SP425	FT Fluid Carrier	I
SP426	Team Associated Countertop / Setup Mat	I
SP427	Reedy Countertop / Setup Mat	I
I10684	Team Associated Track Banner	I
I10685	Team Associated Cloth Banner	I

TOOLS

I111	FT Turnbuckle Wrench	I
I112	FT 4mm Turnbuckle Wrench	I
I113	12mm Big Bore Shock Tool	I
I114	FT Dual Turnbuckle Wrench	I
I449	Off Road Ride Height Gauge	I
I452	FT TC Ride Height Gauge	I
I498	FT Universal Tire Balancer	I
I499	FT Body Reamer	I
I500	FT 1.5mm Hex Driver	I
I501	FT 2.0mm Hex Driver	I
I502	FT 2.0mm Ball Hex Driver	I
I503	FT 2.5mm Hex Driver	I
I504	FT 2.5mm Ball Hex Driver	I
I505	FT 3.0mm Hex Driver	I
I506	FT 5.0mm Hex Driver	I
I507	FT 5.5mm Nut Driver	I
I508	FT 7.0mm Nut Driver	I
I510	FT 1.5mm Hex Replacement Tip	I
I511	FT 2.0mm Hex Replacement Tip	I
I512	FT 2.0mm Ball Replacement Tip	I
I513	FT 2.5mm Hex Replacement Tip	I
I514	FT 2.5mm Ball Replacement Tip	I
I515	FT 3.0mm Hex Replacement Tip	I
I518	FT HEX Driver Tool Set (3pcs)	I
I519	FT Hex/Nut Driver Tool Set (5pc)	I
I522	FT Digital Scale, 100/0.01g	I
I555	FT Clutch Gauge, 4 Shoe	I
I568	FT 5.5mm Short Nut Driver	I
I569	FT 7mm Nut Driver, T-Handle	I
I570	FT 5.5mm Short Nut Driver	I
I571	FT 1:8 Wheel Nut Wrench, 17mm Hex	I
I579	FT Ball Cup Wrench - (will not work on Enduro rod ends)	I
I595	Chassis Weights, 1/4 oz	I
I650	7 Piece Hex Driver Set	I
I657	FT 1/4" Hex Drive .050" Tip	I
I658	FT 1/4" Hex Drive 1/16" Tip	I
I659	FT 1/4" Hex Drive 5/64" - 2.0mm Tip	I
I660	FT 1/4" Hex Drive 3/32" Tip	I
I661	FT 1/4" Hex Drive 1.5mm Tip	I
I662	FT 1/4" Hex Drive 2.5mm Tip	I
I666	FT 1/4" Hex Drive 5.5mm Nut Driver Tip	I
I667	FT 1/4" Hex Drive 7.0mm Nut Driver Tip	I
I668	FT 1/4" Hex Drive 8.0mm Nut Driver Tip	I
I673	FT 1/4" Hex Drive 2.5mm Ball End Tip	I
I674	FT 1/4" 5 Piece Power Tool Tips Set (5/64"-2.0mm, 1.5mm, 2.5mm, 5/64"- 2.0mm ball, 2.5mm ball)	I
I675	FT Shock Shaft Pliers	I
I679	FT T-Handle Ratchet Driver	I
I719	FT Camber + Track Width Tool	I
I737	FT Body Scissors	I
3718	12 Inch Nylon Wire Ties	12
3720	8 Inch Nylon Wire Ties	12
3987	FT Droop Gauge	I
7709	4 Inch Nylon Wire Ties	12
89240	RC8 FT Turnbuckle Wrench	I

* Use part number plus the desired size when ordering!

GATE 01**STEALTH X: BUILD CONFIGURATION: MOTOR MOUNT FACING REAR (STOCK)****OVERDRIVE:**

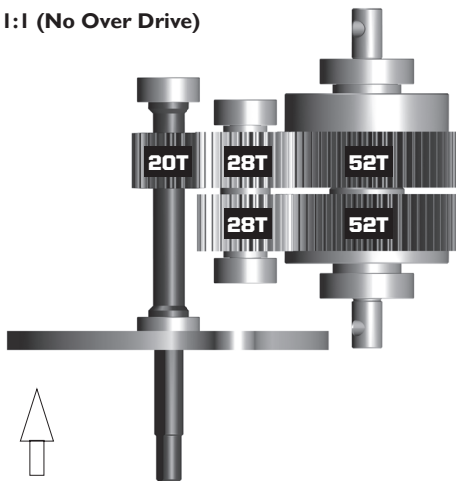
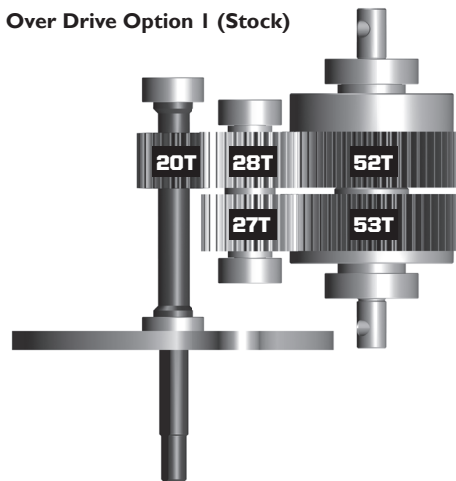
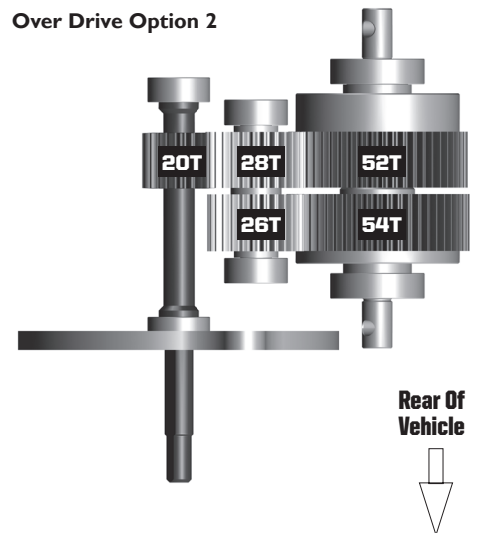
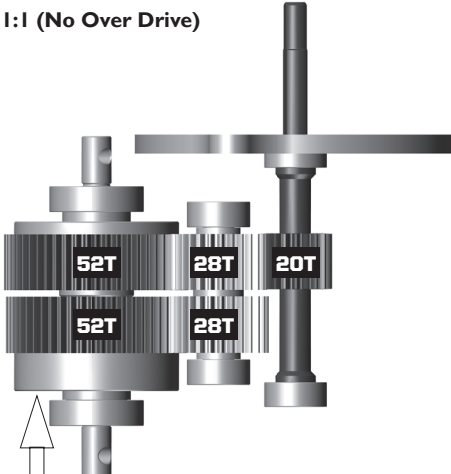
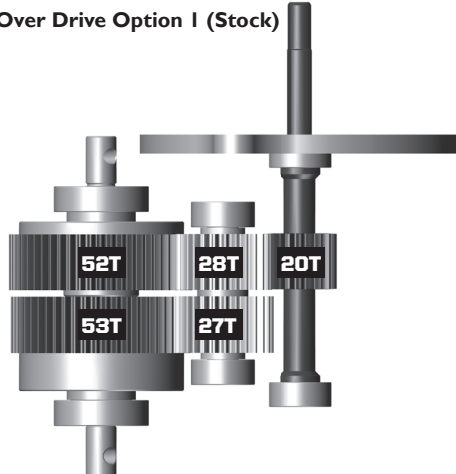
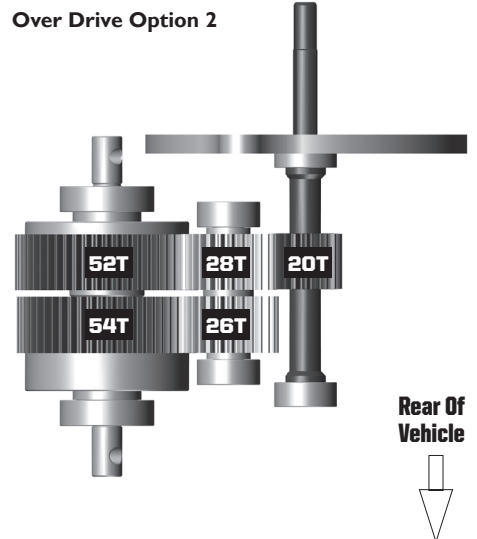
Overdrive is a scenario where the front and rear wheels do not rotate at the same speed. The Stealth X gearbox is designed to allow the front wheels to spin faster than the rear wheels. Overdrive is advantageous when climbing up rock faces because the front tires will want to pull the vehicle up the rock. On descents, the rear tires rotating slower than the front tires will help keep the chassis more stable and keep the rear tires planted on the ground.

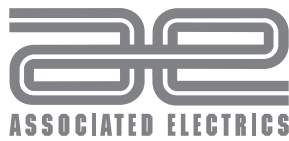
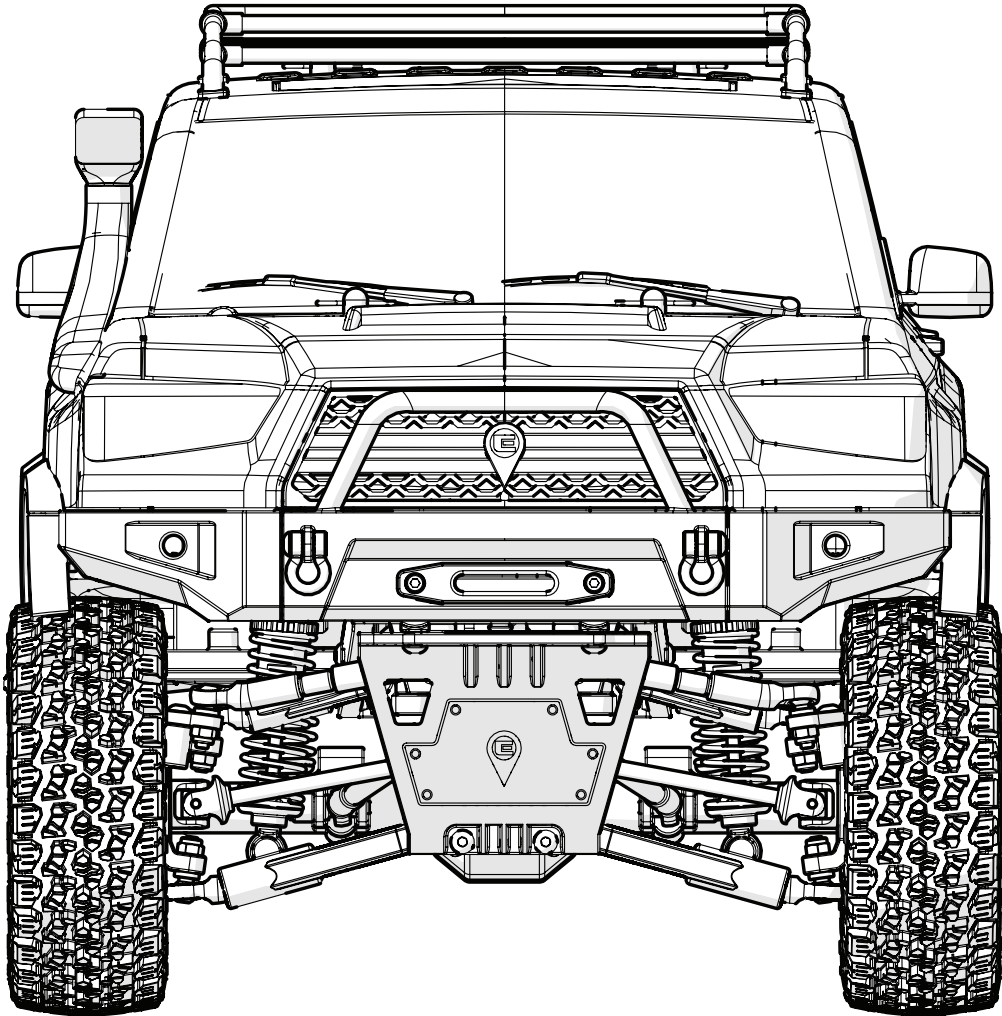
Stealth X:

The Stealth X gearbox allows the driver to change the front to rear drive ratios with 3 separate ratio adjustments to the rear drive shaft. The driver has the option to flip the gearbox direction (motor mount facing the front) the optional inverse top shaft (#42024) is required.

Please Note:

The 20T top shaft, 28T idler gear, and 52T drive gear will always be meshed together in all 6 gearbox configurations.

GATE 02**STEALTH X: BUILD CONFIGURATION: MOTOR MOUNT FACING REAR (STOCK)****1:1 (No Over Drive)****Over Drive Option 1 (Stock)****Over Drive Option 2****GATE 03****STEALTH X: BUILD CONFIGURATION: MOTOR MOUNT FACING FRONT (OPTIONAL - REQUIRES #42024 - TOP SHAFT)****1:1 (No Over Drive)****Over Drive Option 1 (Stock)****Over Drive Option 2**



ASSOCIATED ELECTRICS, INC.
21062 BAKE PARKWAY, LAKE FOREST, CA 92630 USA

CALL: (949) 544-7500 - FAX: (949) 544-7501
CHECK OUT THE FOLLOWING WEB SITES FOR ALL OF OUR KITS,
CURRENT PRODUCTS, NEW RELEASES, SETUP HELP, TIPS, AND RACING INFO!
WWW.ASSOCIATELECTRICS.COM
#112070



ElementRC



@Element_RC