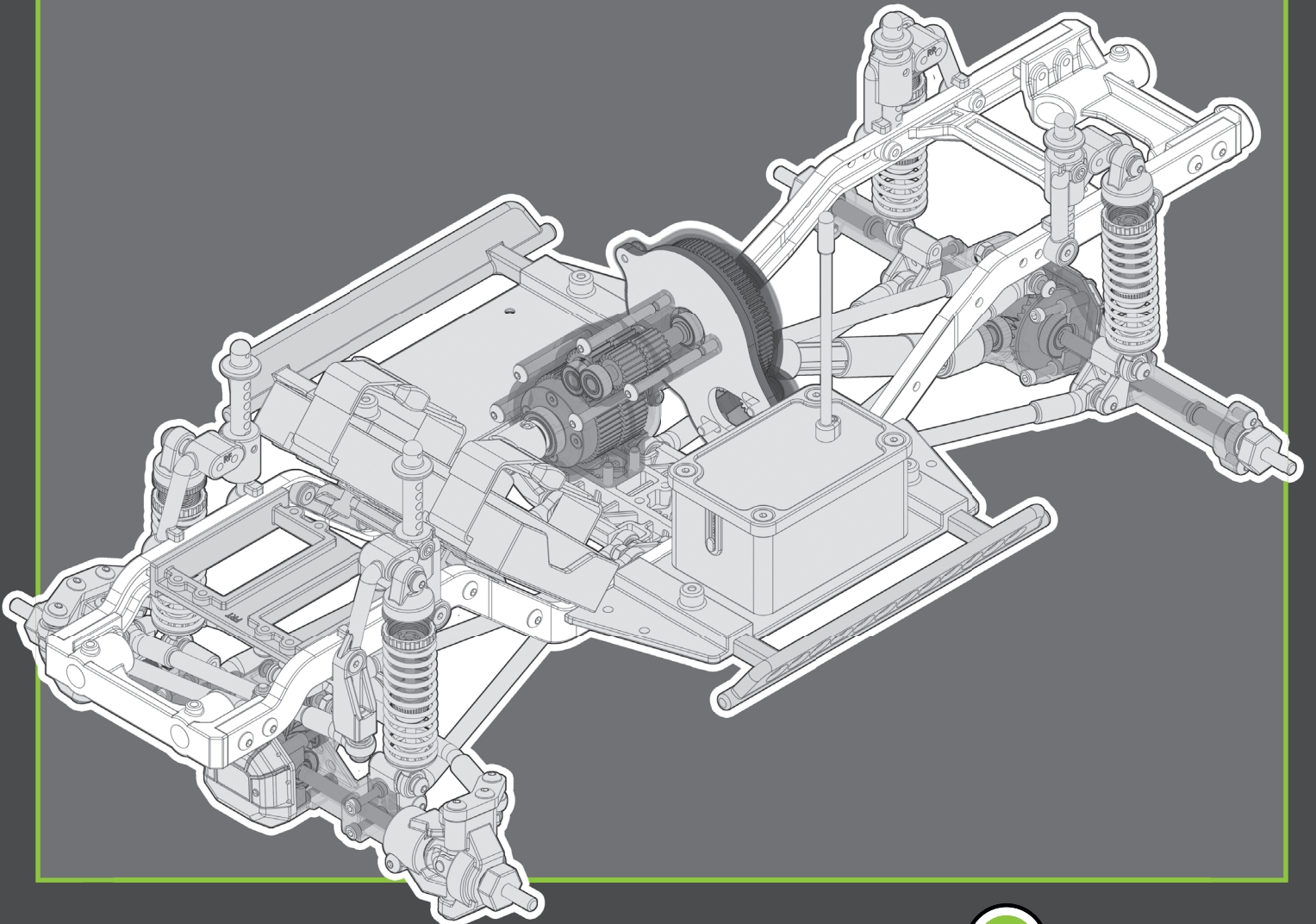


ENDURO

BUILDER'S KIT









OWNERS BUILD MANUAL














HARDWARE 1:1 SCALE VIEW

HARDWARE USED WITH OPTIONAL REPLACEMENT PART NUMBERS

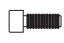





FLAT HEAD SCREWS (FHCS)

	2.5x10mm (31350)
	2.5x14mm (41077)
	3x8mm (25201) Aluminum (8553) Titanium (91592)
	3x10mm (25202) Aluminum (8555) Titanium (91593)
	3x12mm (25203) Aluminum (8556) Titanium (91594)
	3x14mm (89208) Aluminum (8567) Titanium (91595)

BUTTON HEAD SCREWS (BHCS)

	2.6x10mm (41088)
	3x5mm (31530)
	3x6mm (31531) Titanium (91580)
	3x8mm (31532) Aluminum (8552) Titanium (91581)
	3x10mm (25211) Aluminum (8554) Titanium (91582)
	3x12mm (89202) Titanium (91583)
	3x14mm (25187) Titanium (91584)
	3x16mm (89203) Titanium (91585)
	3x18mm (2308)
	3x20mm (25188) Titanium (91587)
	3x28mm (41078)



SOCKET HEAD SCREWS (SHCS)

	2x5mm (31511) Aluminum (8566)
	2x8mm (7187)
	2.5x6mm (41079)
	2.5x10 (41087)
	2.5x14 (71032)
	2.5x16 (41086)



SET SCREWS

	3x3mm (25225)
	3x16mm (4689)


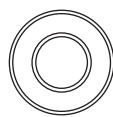
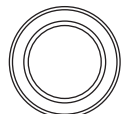
PIVOT BALLS

	Pivot Ball, 6mm (42041)
	Pivot Ball, Upper Shock (42041)



LOCK NUTS

	M3 Locknuts (25215) Aluminum (31550)
	M4 Locknut W/Flange (25391)



BEARINGS

	5x10x4mm (91560)
	7x14x3.5mm (91474)
	10x15x4mm (91563)








SHIMS AND WASHERS

	.250x.125x.015 (7337)
	Servo Horn Spacer (42041)
	5.5x0.5mm (31381)
	5.5x1.0mm (31382)
	5.5x2.0mm (31383)
	Drive Gear Shim (42027)

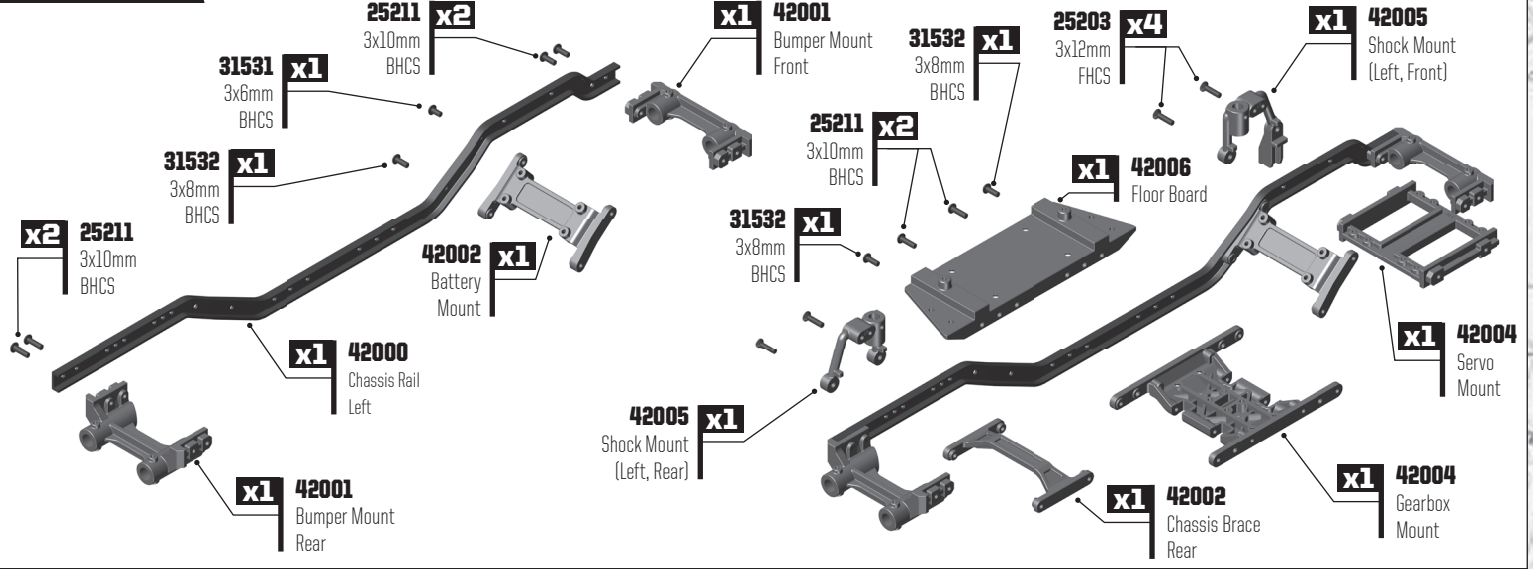
MISC. SCREWS

	Shoulder Screw 3x4x10mm (42070)
	Screw Pin (42022)

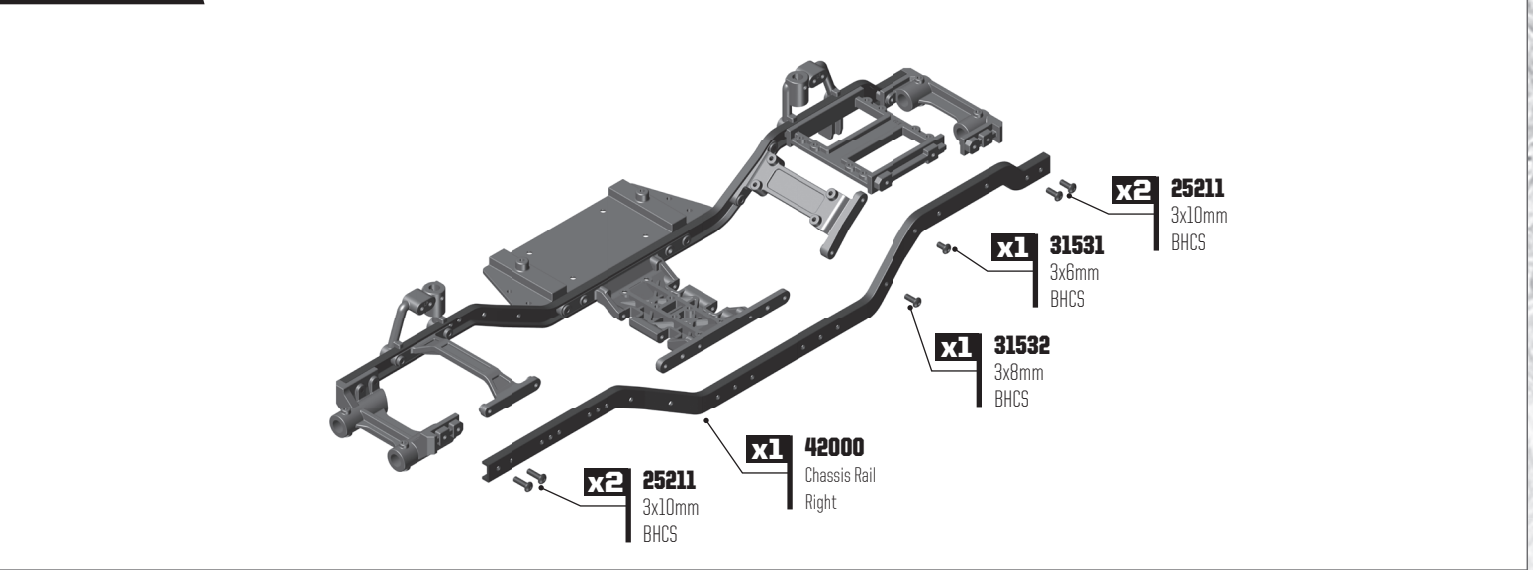
LINKS

	73mm
	83mm
	93mm
	96mm
	100mm
	108mm
	114mm

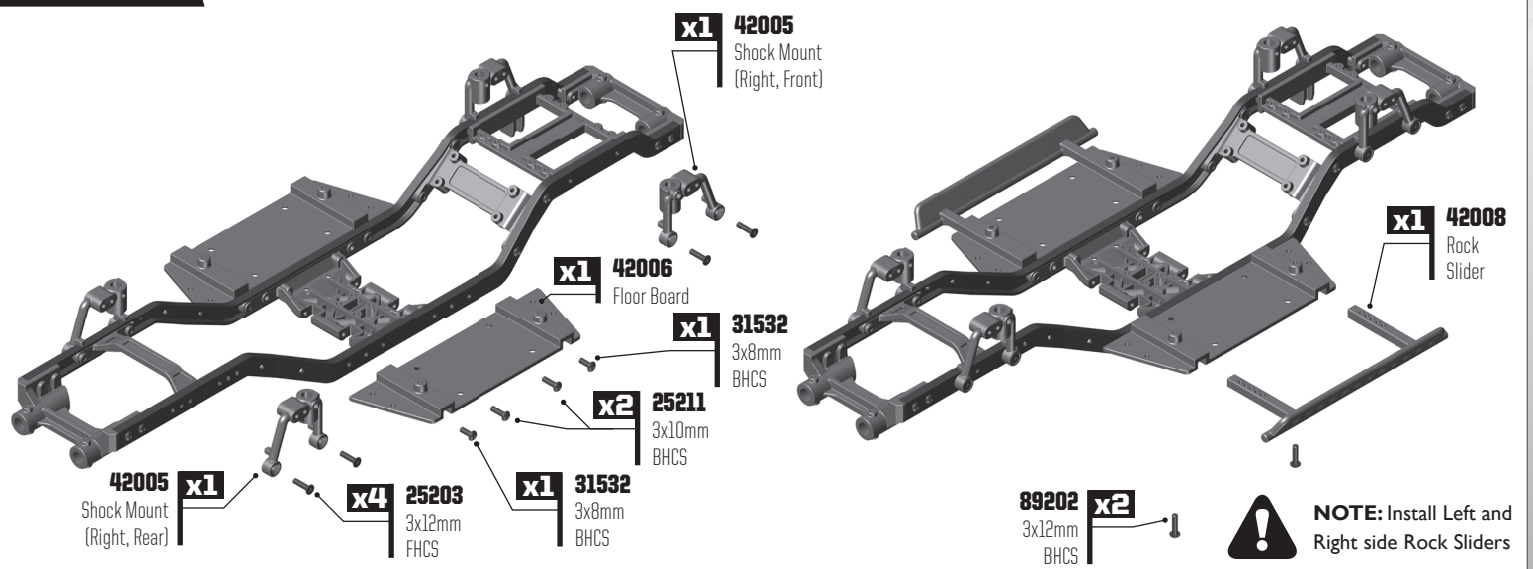
GATE 01 CHASSIS BUILD: BAG 1, 2



GATE 02 CHASSIS BUILD: BAG 1, 2



GATE 03 CHASSIS BUILD: BAG 1, 2



GATE 01 ELECTRONIC MOUNTS BUILD: BAG 3

25203 **x4**
3x12mm
FHCS

42003 **x1**
Battery Box,
Shorty Pack

NOTE: There is an optional "standard pack" sized battery tray included!

71050 **x2**
Hook and
Loop Straps

GATE 02 ELECTRONIC MOUNTS BUILD: BAG 3

42007 **x1**
Receiver
Grommet

42007 **x1**
Receiver Grommet
Plug

x1 **Receiver**
*Not Included

x1 **6727**
Servo Tape

x1 **42006**
Receiver Box
Bottom

x4 **25202**
3x10mm
FHCS

Servo **x1**
*Not Included

42041 **x1**
Servo Horn
25T

x4 **7337**
.250 x .125 x .015
Washer

x5 **25211**
3x10mm
BHCS

THREAD LOCK #1536

GATE 03 ELECTRONIC MOUNTS BUILD: BAG 3

ESC **x1**
*Not Included

6727 **x1**
Servo Tape

6338 **x1**
Antenna Tube
and Cap

x1 **25225**
3x3mm
Set Screw

25202 **x4**
3x10mm
FHCS

42006 **x1**
Receiver Box
Lid

x1 **42007**
Receiver Box
Grommet

GATE 01 GEARBOX BUILD: BAG 4

42032 x1 FT Stealth X Drive Gear, 53T, Machined

42027 x1 Stealth X Gearbox Outdrive, Long

31350 x4 2.5x10mm FHCS

91563 x2 10x15x4mm Bearing

42027 x1 Stealth X Gearbox Drive Gear Shim

42032 x1 FT Stealth X Drive Gear, 52T, Machined

42027 x1 Stealth X Gearbox Outdrive, Short

41077 x4 2.5x14mm FHCS

THREAD LOCK #1596

GATE 02 GEARBOX BUILD: BAG 4

42025 x2 Idler Shaft Pin 2x9mm

42025 x1 Stealth X Gearbox Idler Shaft

42031 x1 Stealth X Idler Gear, 28T, Machined

42030 x1 Stealth X Gearbox Top Shaft, Rear

91560 x4 5x10x4mm Bearing

41078 x5 3x28mm BHCS

42023 x1 Stealth X Gearbox Case

91563 x2 10x15x4mm Bearing

BLACK GREASE #6596

NOTE: There are optional gearbox builds on page 24

Over Drive Option I (Stock)

GATE 03 GEARBOX BUILD: BAG 4

42029 x1 Stealth X Gearbox Motor Plate

25201 x3 3x8mm FHCS

42023 x2 Stealth X Gearbox Spur Gear Hub

25391 x1 FT M4 Locknut

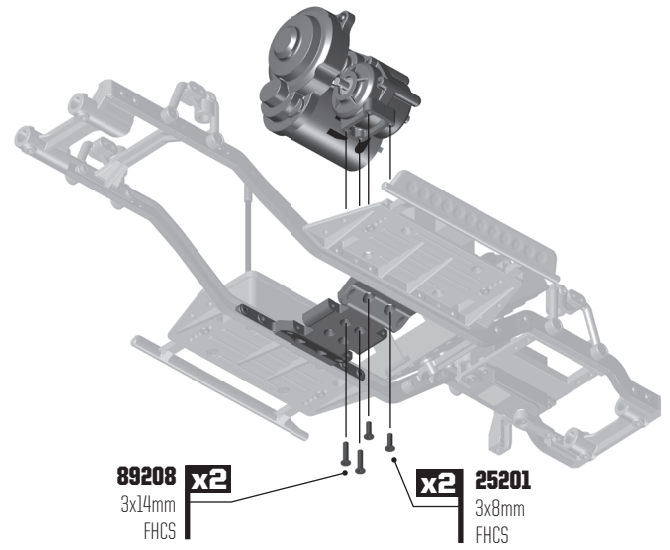
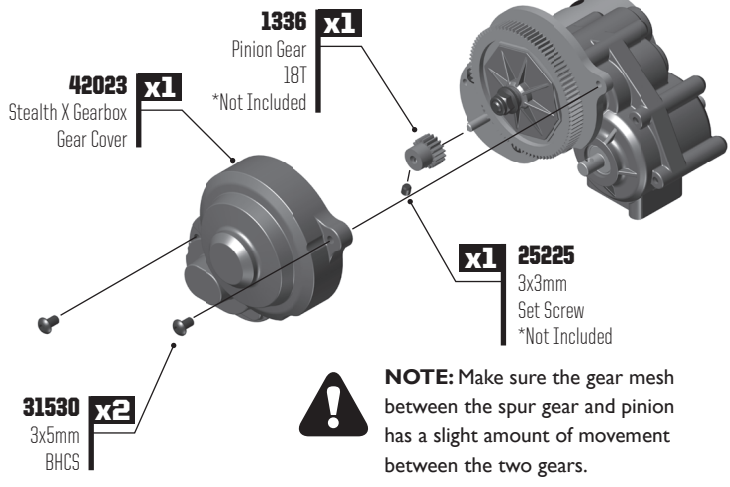
31532 x2 3x8mm BHCS

9654 x1 Spur Gear 48P, 8T

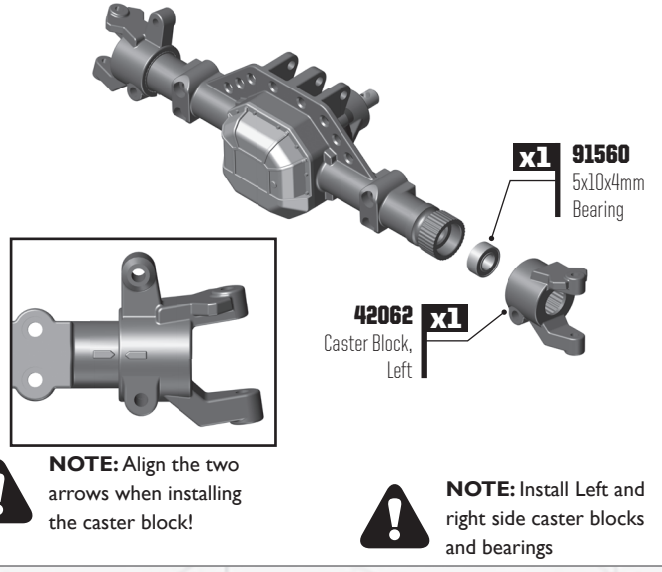
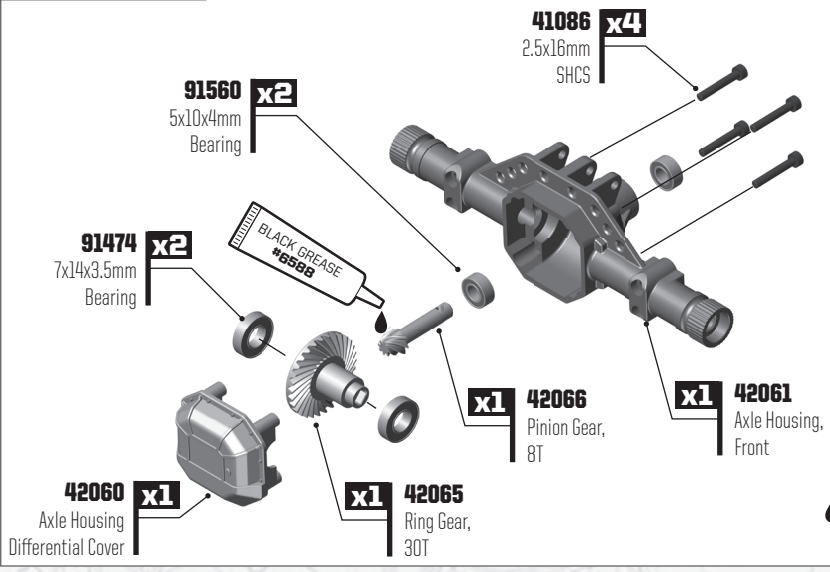
7337 x2 .250x.125x.015" Washer

Motor x1 *Not Included

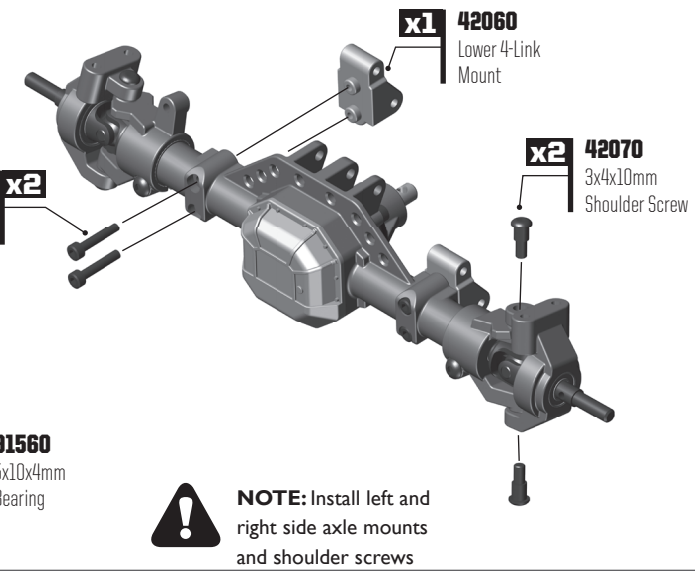
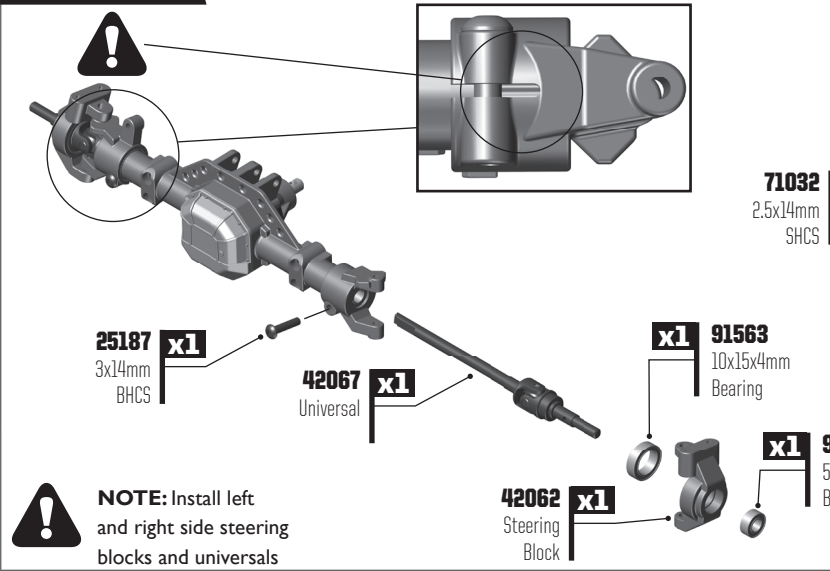
GATE 04 GEARBOX BUILD: BAG 4



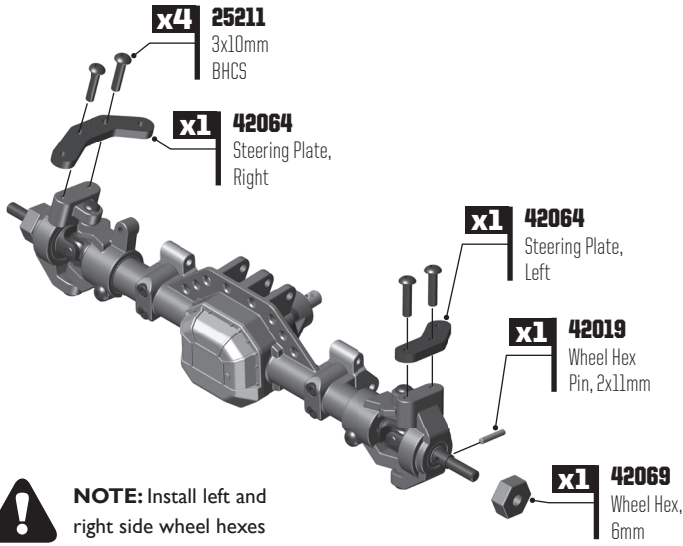
GATE 01 FRONT AXLE BUILD: BAG 5



GATE 02 FRONT AXLE BUILD: BAG 5

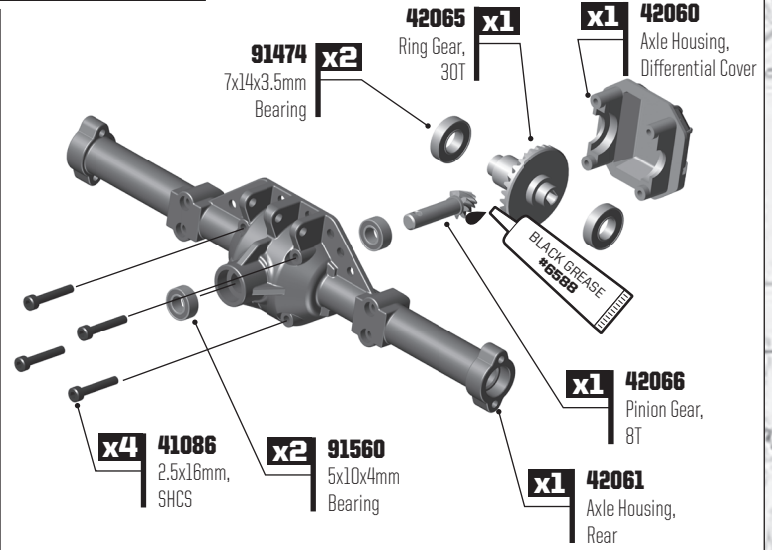


GATE 03 FRONT AXLE BUILD: BAG 5

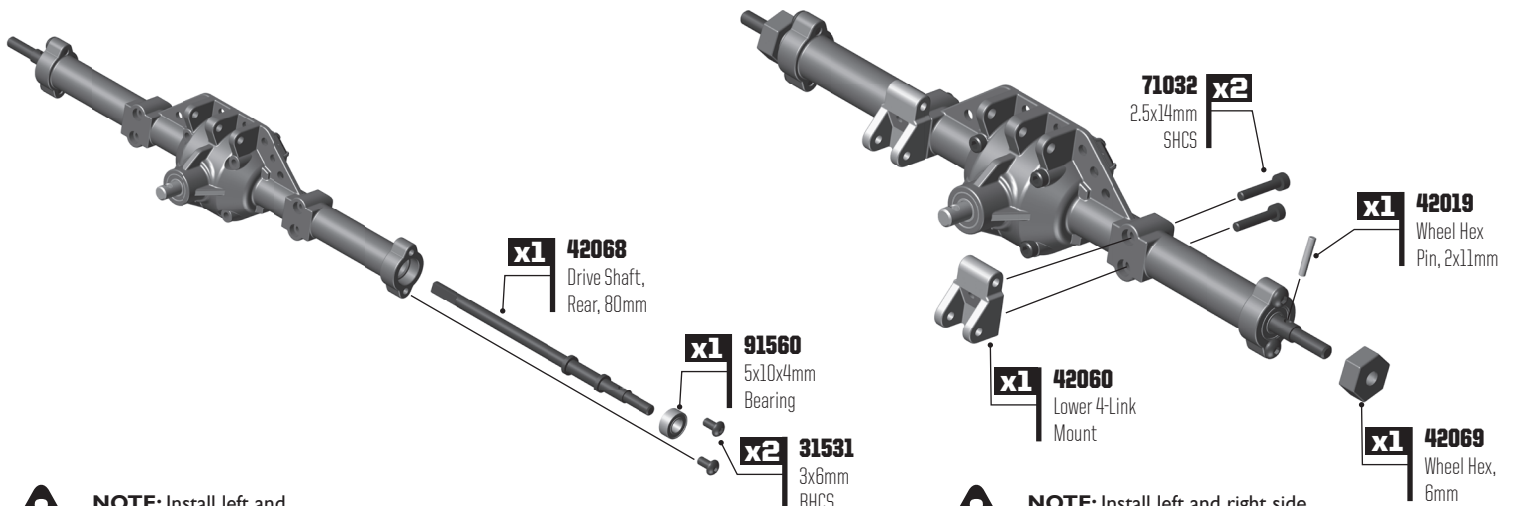


NOTE: Install left and right side wheel hexes

GATE 01 REAR AXLE BUILD: BAG 6



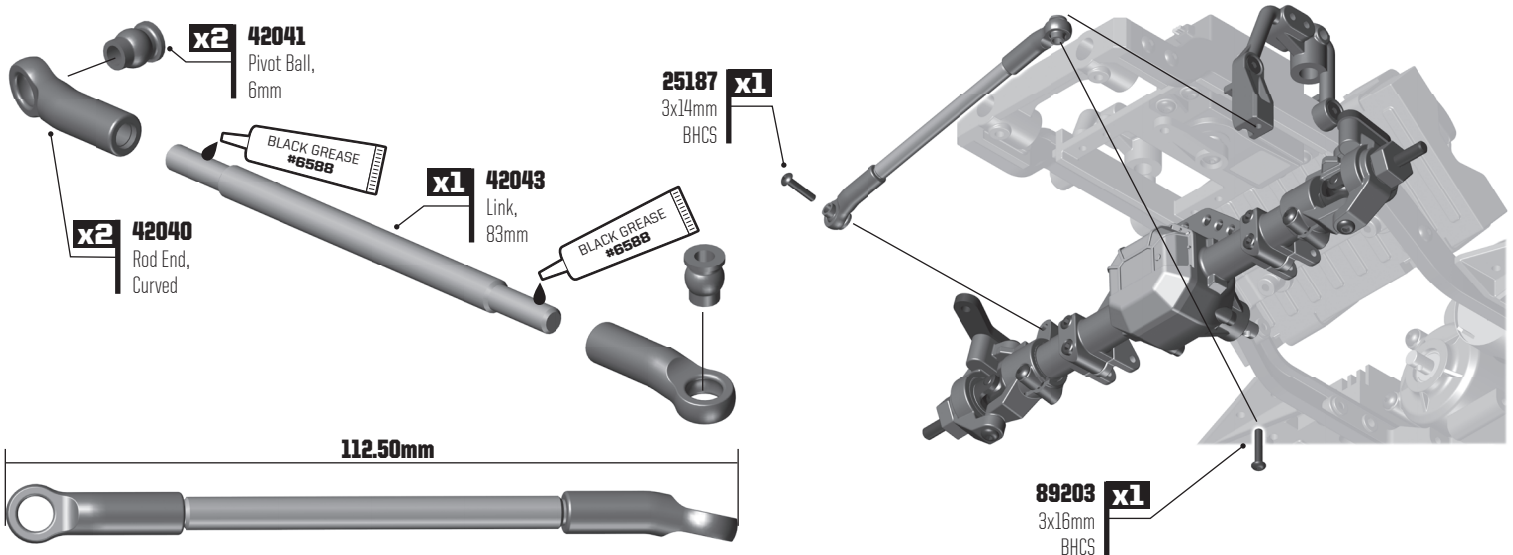
GATE 02 REAR AXLE BUILD: BAG 6



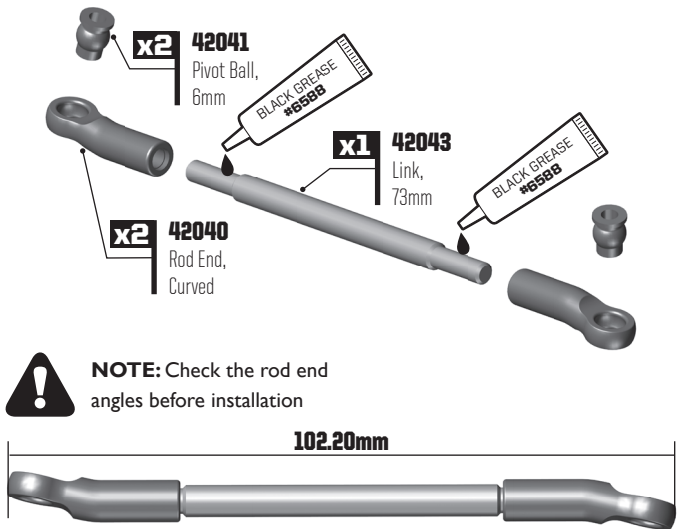
NOTE: Install left and right side drive shafts

NOTE: Install left and right side axle mounts and wheel hexes

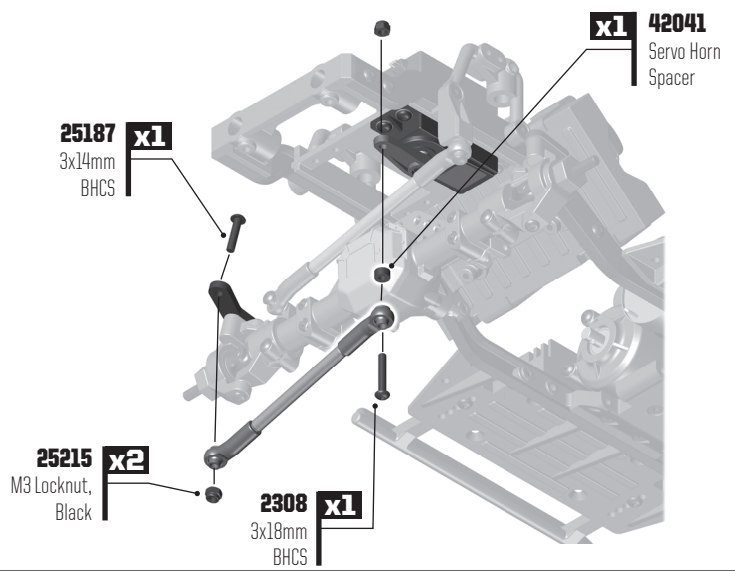
GATE 01 LINKS BUILD: BAG 7



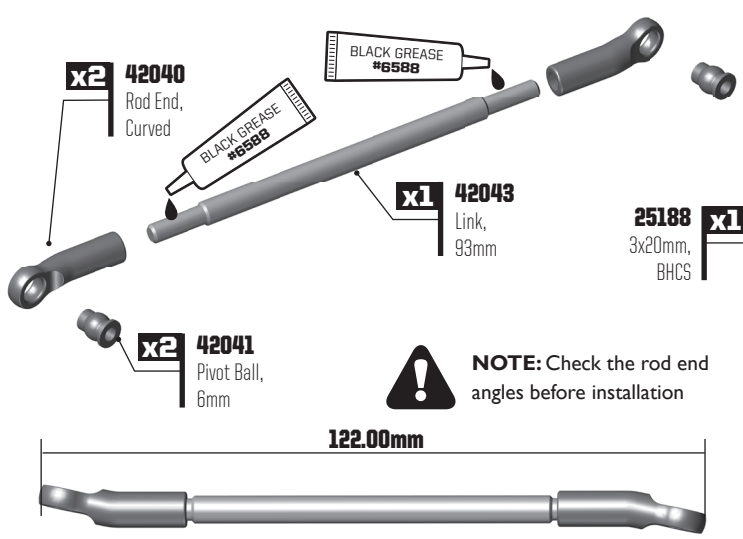
GATE 02 LINKS BUILD: BAG 7



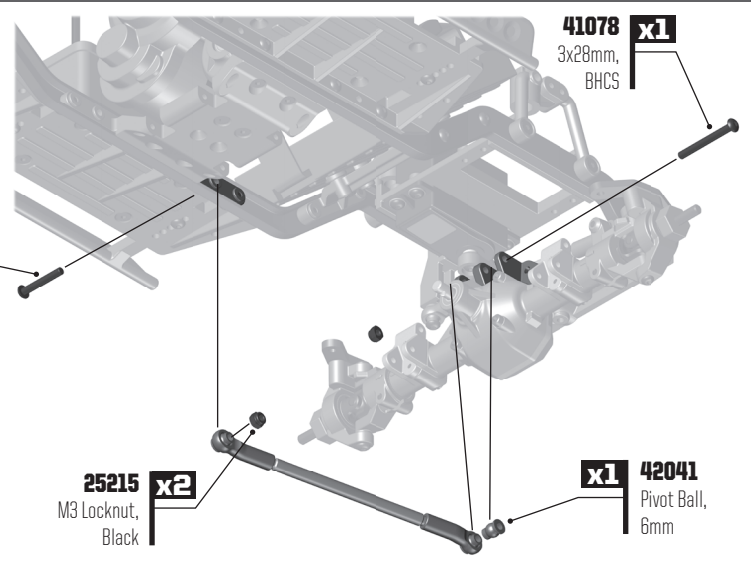
NOTE: Check the rod end angles before installation



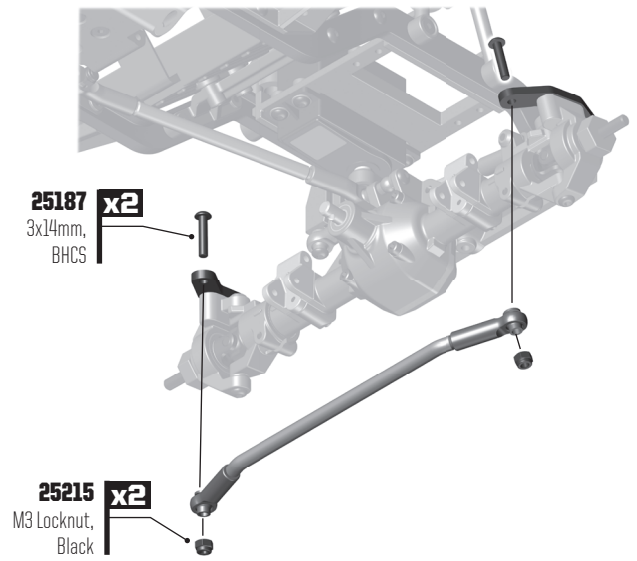
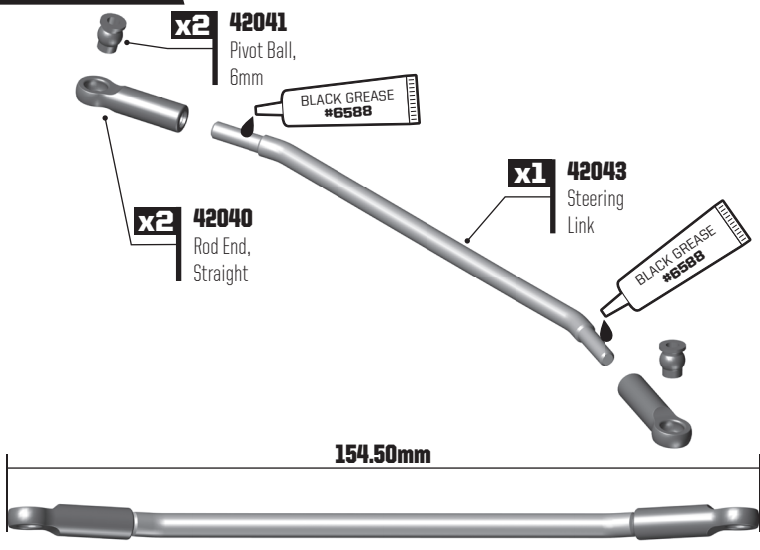
GATE 03 LINKS BUILD: BAG 7



NOTE: Check the rod end angles before installation



GATE 04 LINKS BUILD: BAG 7



GATE 05 LINKS BUILD: BAG 7

NOTE: Build and install two rear upper links

x2 42041 Pivot Ball, 6mm

x2 42040 Rod End, Curved

x1 42044 Link, 108mm

BLACK GREASE #6588

NOTE: Check the rod end angles before installation

137.00mm

Wheelbase (in/mm)	Upper Length
11.8" / 299.7mm	3.78" / 96mm
12" / 304.8mm	3.93" / 100mm
12.3" / 312.4mm	4.25" / 108mm

x1 25188 3x20mm, BHCS

x1 41078 3x28mm BHCS

x2 25215 M3 Locknut, Black

GATE 06 LINKS BUILD: BAG 7

NOTE: Build and install two front lower links

x2 42041 Pivot Ball, 6mm

x2 42040 Rod End, Curved

x1 42043 Link, 100mm

BLACK GREASE #6588

NOTE: Check the rod end angles before installation

129.50mm

x1 25187 3x14mm, BHCS

x1 4689 3x16mm, Set Screw

GATE 07 LINKS BUILD: BAG 7

NOTE: Build and install two rear lower links

x2 42041 Pivot Ball, 6mm

x2 42040 Rod End, Curved

x1 42044 Link, 114mm

BLACK GREASE #6588

NOTE: Check the rod end angles before installation

143.00mm

Wheelbase (in/mm)	Lower Length
11.8" / 299.7mm	3.93" / 100mm
12" / 304.8mm	4.05" / 108mm
12.3" / 312.4mm	4.45" / 114mm

x1 25187 3x14mm BHCS

x1 4689 3x16mm, Set Screw

GATE 01 DRIVE SHAFT BUILD: BAG 8

Drive Shaft Lengths

	Front (mm)	Rear (mm)
Female 1	33	33
Female 2	33	42
Male	48	60

GATE 02 DRIVESHAFT BUILD: BAG 8

GATE 03 DRIVESHAFT BUILD: BAG 8

NOTE: Make sure the screw pins are aligned with each female CVA during assembly

NOTE: Make sure the phasing of the drive shafts is correct when installing them to the axles and gearbox.

Correct Phasing

Incorrect Phasing

GATE 01 SHOCK BUILD: BAG 9

- x1 42081** Shock Piston
- x2 6299** E-Clip
- x1 42083** Shock Shaft, 3x30mm
- x1 42081** O-Ring, Shock Cap
- x1 42082** Shock Body, 10x32mm
- x2 5407** O-Ring, Red
- x1 42081** Shock O-Ring Spacer
- x1 42085** Shock Bottom Cap, Blue Aluminum
- x1 42040** Enduro Rod Ends

NOTE: Build 4 complete shocks

GATE 02 SHOCK BUILD: BAG 9

Shock Bleeding Steps:

1. Pull shock shaft down.
2. Fill shock body 3/4 full with silicone fluid.
3. Slowly move the shock shaft up and down to remove air from under piston.
4. Wait for bubbles to come to surface.
5. Fill shock body to top with silicone fluid.
6. Place a drop of oil in the cap and on cap threads.
7. Install cap and tighten completely.
8. Slowly compress shaft all the way to the top. If there is pressure at the top of the stroke, there is too much oil or air. You must bleed it out.
9. Slowly pull shaft out.
10. Unscrew the cap 3/4 turn and tilt the shock at a slight angle.
11. Slowly compress the shaft to push out excess oil and air. You should see bubbles coming out from under the cap.
12. With the shaft compressed, tighten the cap and re-check for pressure at the top of the stroke. If there is still pressure, repeat steps 9 thru 11.

NOTE: Build 4 complete shocks

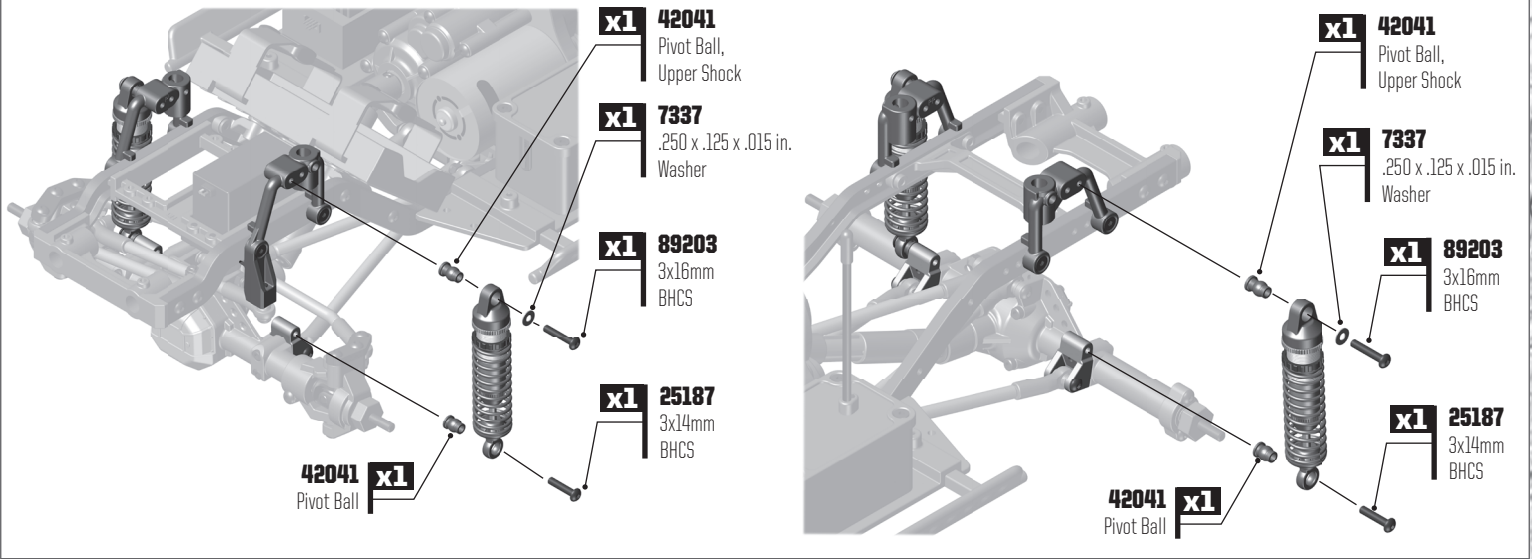
- x1 42085** Shock Cap, Enduro, Blue Aluminum

GATE 03 SHOCK BUILD: BAG 9

- x1 42081** O-Ring, Shock Collar
- x1 42085** Shock Collar, Blue, Aluminum
- x1 42089** Shock Spring, Gray, 1.49 lb/in, 63mm
- x1 42085** Shock Spring Cup, Blue Aluminum

NOTE: Build 4 complete shocks

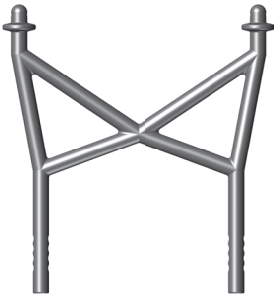
GATE 04 SHOCK BUILD: BAG 9



GATE 01 BODY POSTS: BAG 10



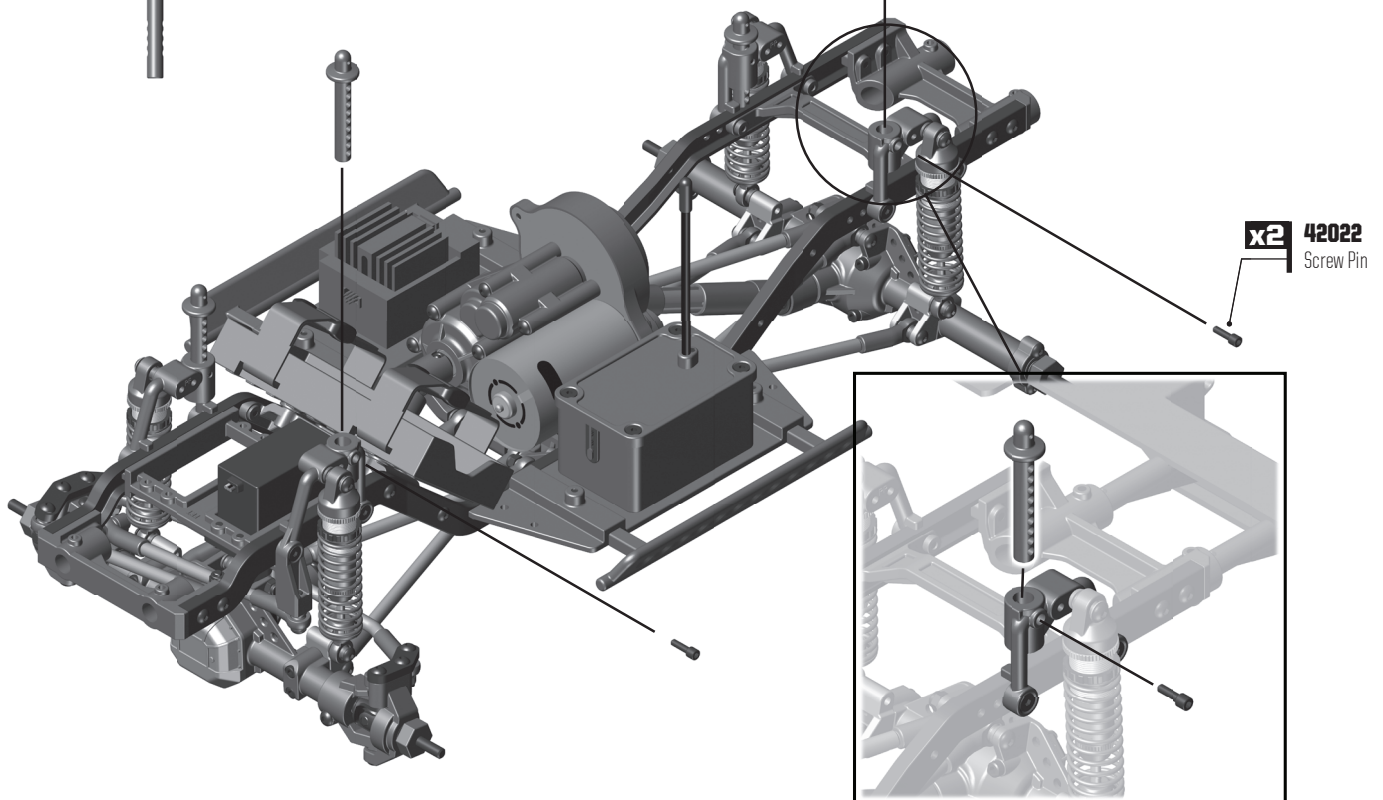
NOTE: Below is an image of the included optional tall body post.



NOTE: Install 4 body mounts

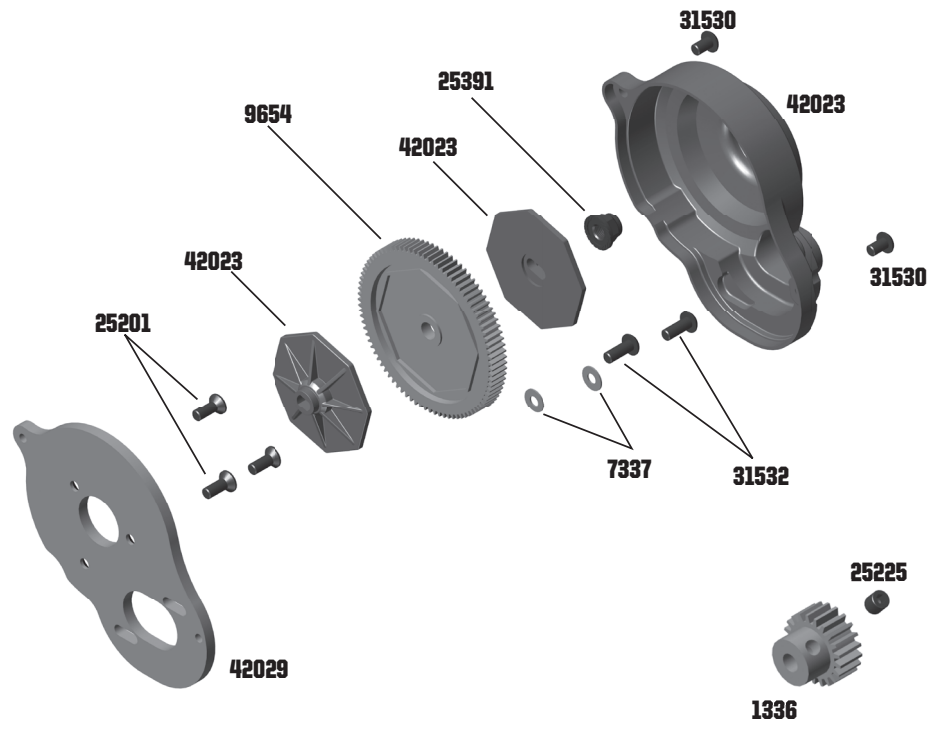


x2 42009
Body Mount, Short Pin



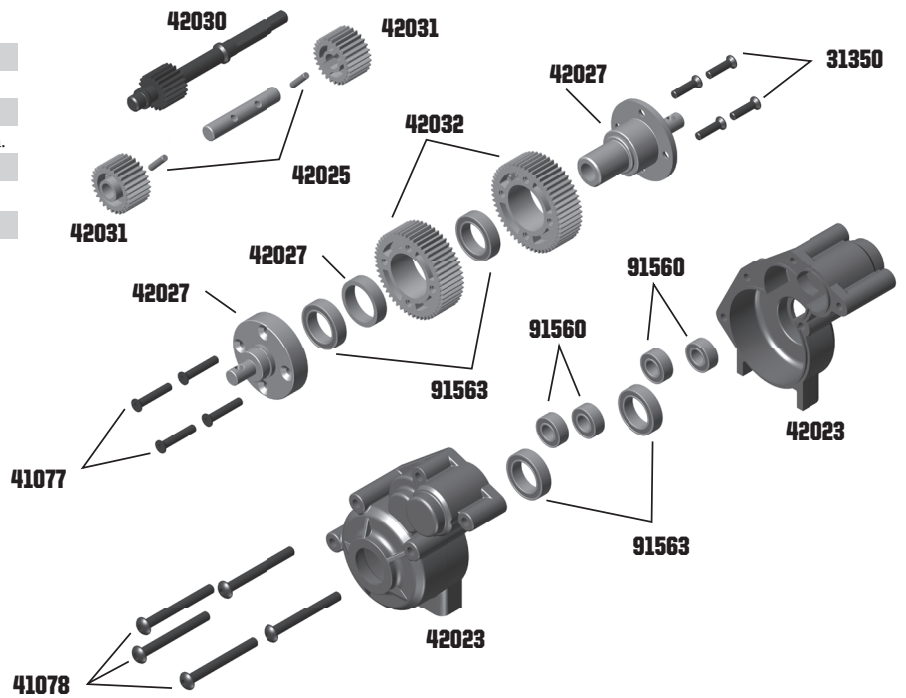
Motor Mount

1336	18T 48P Aluminum Pinion	1
7337	Washers, .250 x .125 x .015	4
9654	Spur Gear, 87T, 48P	1
25201	M3x8mm FHCS	10
25225	M3x3mm Set Screw	10
25391	FT M4 Locknuts, Blue	10
31530	M3x5mm BHCS	10
31532	M3x8mm BHCS	10
42023	Stealth X Gearbox (Case, Gear cover, Spur Gear Hubs)	1
42029	Stealth X (Motor Plate)	1



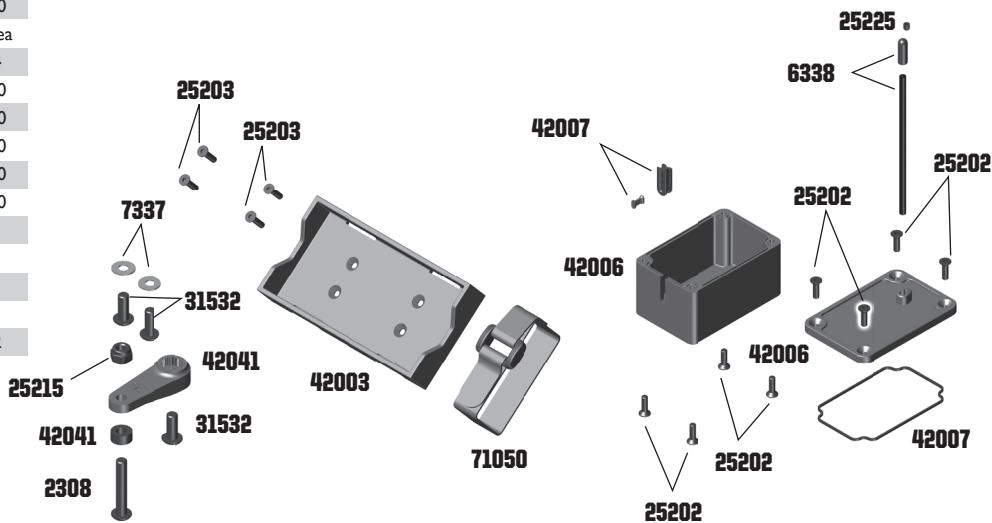
Transmission

31350	M2.5x10mm FHCS	10
41077	M2.5x14mm FHCS	10
41078	M3x28mm BHCS	10
42023	Stealth X Gearbox (Case, Spur Gear Hubs, Gear Cover)	1
42025	Stealth X Idler Shaft, Idler Shim, Pins	1
42027	Stealth X Outdrives	1
42030	Stealth X Top Shaft (Stock Gearbox)	1
42031	FT Stealth X Idler Gear, Machined (26T, 27T, 28T)	1 ea.
42032	FT Stealth X Drive Gear Set, Machined	1
91560	FT Bearings, 5x10x4mm	4
91563	FT Bearings, 10x15x4mm	4



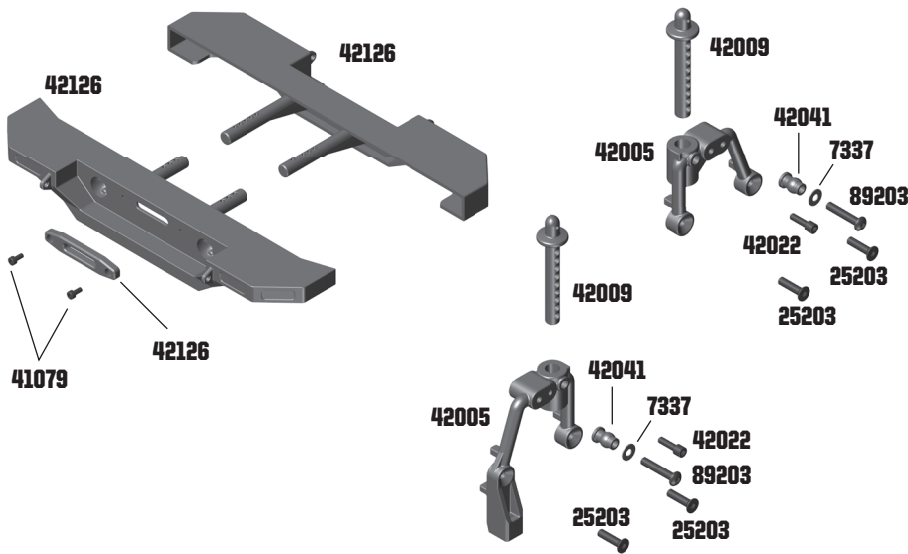
Battery Tray/Radio Box

2308	M3x18mm BHCS	10
6338	Antenna Tube and Cap	1 ea
7337	Washers, .250 x .125 x .015	4
25202	M3x10mm FHCS	10
25203	M3x12mm FHCS	10
25215	M3 Locknut	10
25225	M3x3mm Set Screws	10
31532	M3x8mm BHCS	10
42003	Enduro Battery Box (Small x1, Standard x1)	1
42006	Enduro Receiver Box (Bottom, Top)	1
42007	Enduro Receiver Box (Grommet, Plug, Gasket)	1
42041	Enduro Servo Horn, Spacer, Pivot Balls	1
71050	Hook and Loop Straps	2



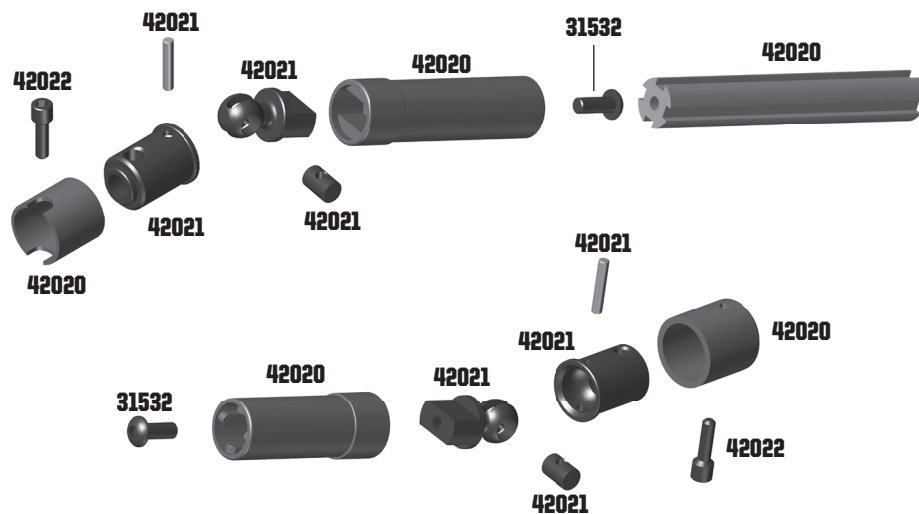
Bumpers/Body Mounts

7337	Washers, .250 x .125 x .015	4
25203	M3x12mm FHCS	10
41079	M2.5x6mm SHCS	10
42005	Shock Mount Set	1 ea
42009	Enduro Body Posts (4 Short, 1 Tall)	4
42022	Screw Pin, 4x12mm	6
42041	Enduro Pivot Ball Set	1
42126	Sendero Bumpers and Fairlead, Black	1 ea
89203	M3x16mm BHCS	10



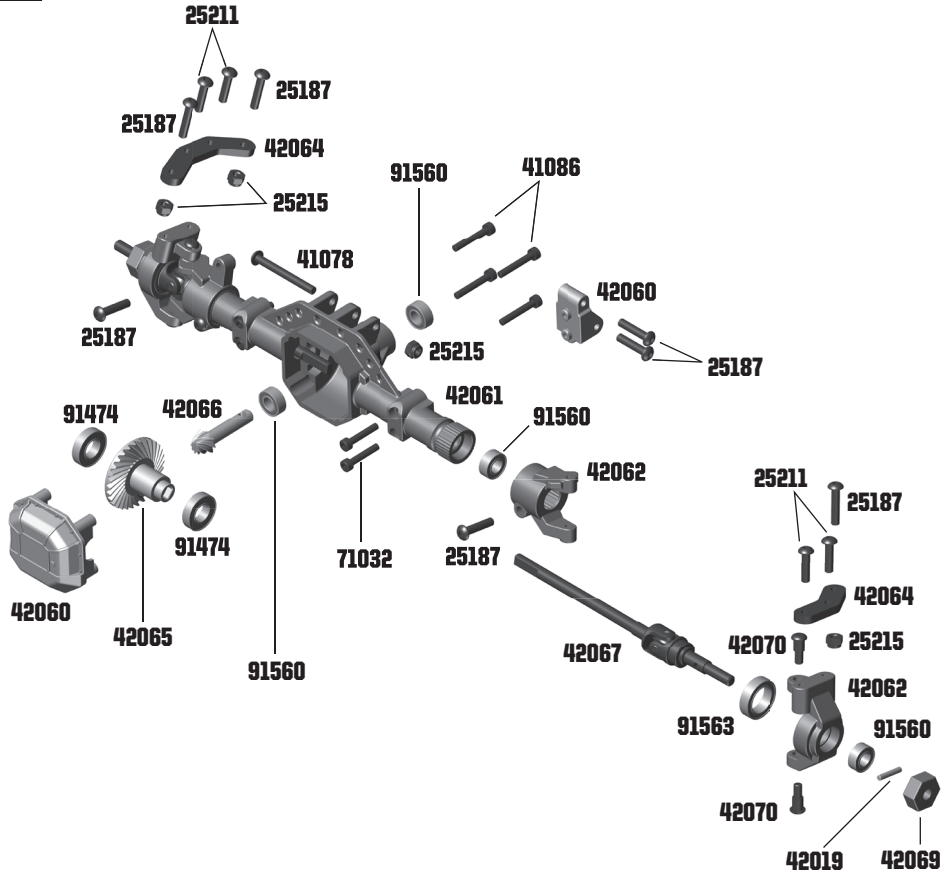
Drive Shafts

31532	M3x8mm BHCS	10
42020	Enduro Drive Shaft Parts, Molded	1
42021	Enduro Drive Shaft Parts, Machined	1
42022	Screw Pin, 4x12mm	6



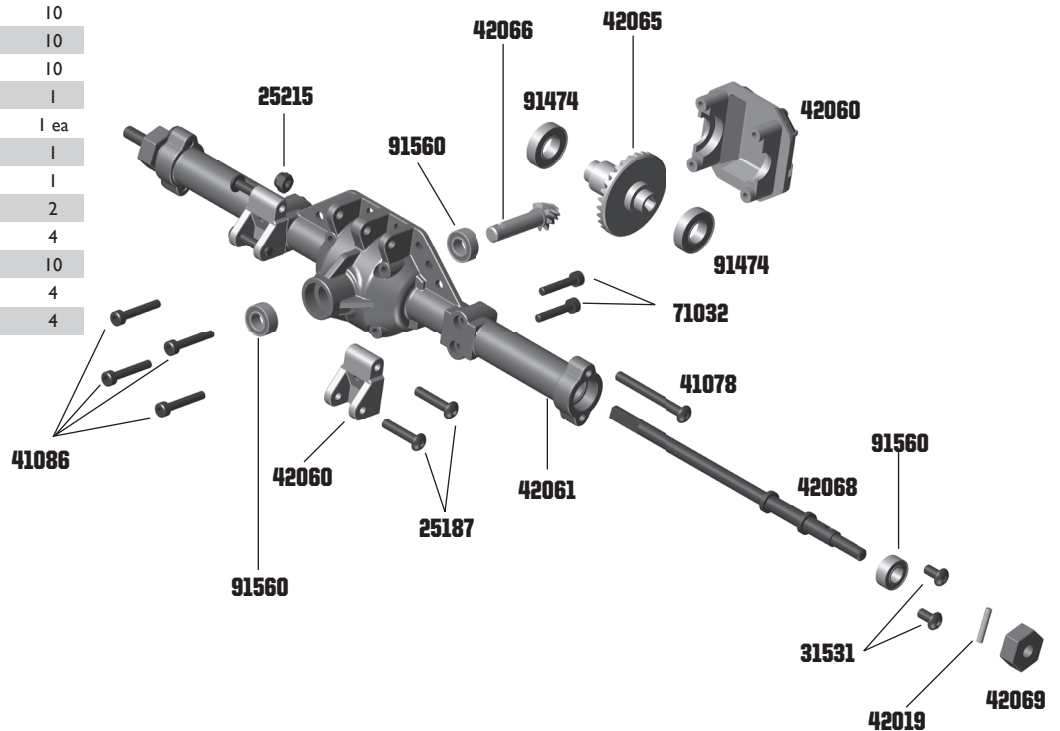
Front Axle

25187	M3x14mm BHCS	10
25211	M3 Locknut	10
25215	M3 Locknut	10
41078	M3x28mm BHCS	10
41086	M2.5x16mm SHCS	10
42019	Enduro 2x11mm Pin	10
42060	Enduro Diff Cover and Lower 4-Link Mounts	1
42061	Enduro Axle Housing (Front, Rear)	1 ea.
42062	Enduro Caster Blocks and Steering Blocks	1 ea.
42064	Enduro Steering Block Arms	1 ea.
42065	Enduro Ring Gear, 30T	1
42066	Enduro Pinion Gear, 8T	1
42067	Enduro Front Universal, Driveshaft, 80mm	2
42069	Enduro Wheel Hex, 6mm	4
42070	Enduro Shoulder Screw (M3x10mm)	6
71032	M2.5x14mm SHCS	10
91474	FT Bearings, 7x14x3.5mm	4
91560	FT Bearings, 5x10x4mm	4
91563	FT Bearings, 10x15x4mm	4



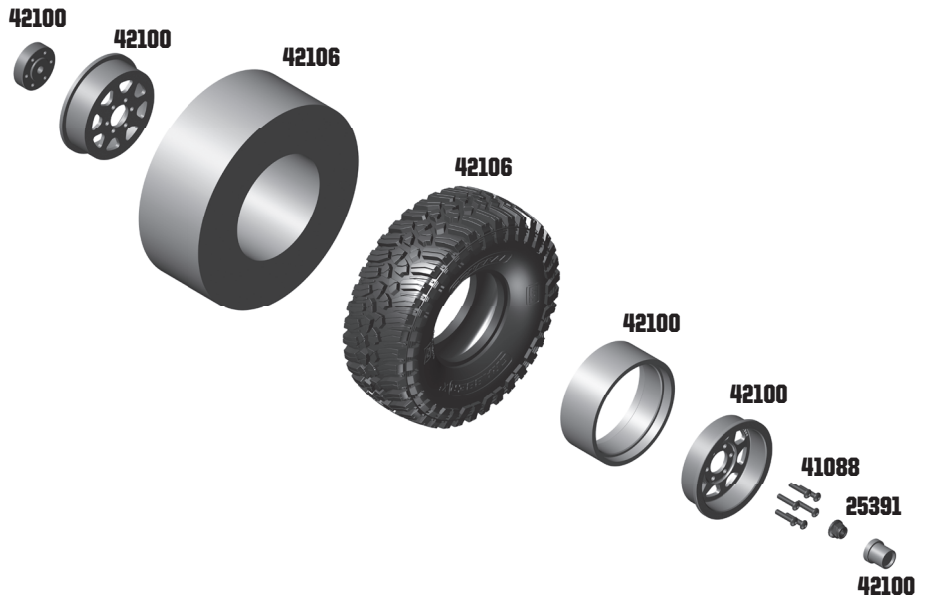
Rear Axle

25187	M3x14mm BHCS	10
25215	M3 Locknut	10
31531	M3x6mm BHCS	10
41078	M3x28mm BHCS	10
41086	M2.5x16mm SHCS	10
42019	Enduro 2x11mm Pin	10
42060	Enduro Diff Cover and Lower 4-Link Mounts	1
42061	Enduro Axle Housing (Front, Rear)	1 ea.
42065	Enduro Ring Gear, 30T	1
42066	Enduro Pinion Gear, 8T	1
42068	Enduro Rear Drive Shaft, 80mm	2
42069	Enduro Wheel Hex, 6mm	4
71032	M2.5x14mm SHCS	10
91474	FT Bearings, 7x14x3.5mm	4
91560	FT Bearings, 5x10x4mm	4



Wheel/Tire

25391	FT M4 Locknuts, Blue	10
41088	M2.6x10mm	10
42100	Enduro Method 701 Trail Series Wheel, 1.9" Bronze	4
42101	Enduro Method 701 Trail Series Wheel, 1.9" Black	4
42102	FT Enduro Beadlock Rings, Brass	4
42103	FT Enduro Beadlock Hex Adapter, Aluminum	4
42104	FT Enduro Beadlock Hex Adapter, Brass	4
42105	FT Tire Insert, 1.9"	2
42106	General Grabber X3 Tire w/Insert (1.9x4.65" DIA)	2

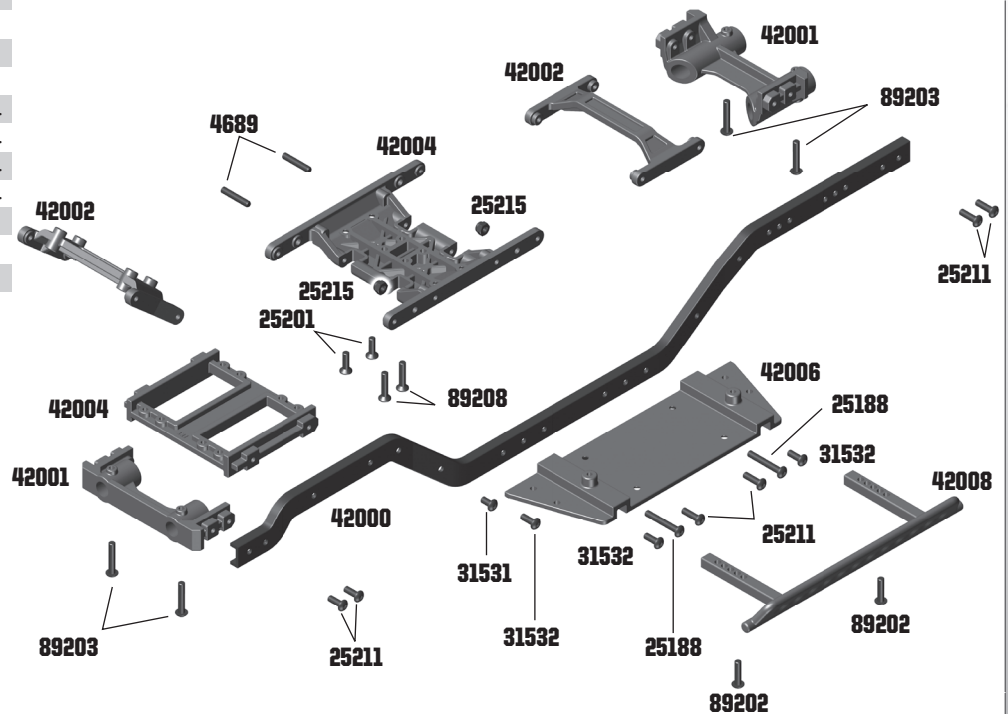


NOTE: Install #41088 screws in a crossing pattern



Chassis

4689	M3x16mm Set Screw	10
25188	M3x20mm BHCS	10
25201	M3x8mm FHCS	10
25211	M3x10mm BHCS	10
25215	M3 Locknuts	10
31531	M3x6mm BHCS	10
31532	M3x8mm BHCS	10
42000	Enduro Chassis Rail Set	1
42001	Enduro Bumper Mount Set (Front, Rear)	1 ea.
42002	Enduro Frame Mounting Plates	1 ea.
42004	Enduro Gearbox and Servo Mounts	1 ea.
42006	Enduro Floor Boards and Receiver Box	1 ea.
42008	Enduro Rock Sliders	2
89202	M3x12mm BHCS	10
89203	M3x16mm BHCS	10
89208	M3x14mm FHCS	10



SHOCK FLUIDS

5420	10 Weight Silicone Shock Fluid	2oz.
5421	20 Weight Silicone Shock Fluid	2oz.
5422	30 Weight Silicone Shock Fluid	2oz.
5423	40 Weight Silicone Shock Fluid	2oz.
5424	22.5 Weight Silicone Shock Fluid	2oz.
5425	80 Weight Silicone Shock Fluid	2oz.
5426	27.5 Weight Silicone Shock Fluid	2oz.
5427	15 Weight Silicone Shock Fluid	2oz.
5428	25 Weight Silicone Shock Fluid	2oz.
5429	35 Weight Silicone Shock Fluid	2oz.
5430	45 Weight Silicone Shock Fluid	2oz.
5431	55 Weight Silicone Shock Fluid	2oz.
5432	32.5 Weight Silicone Shock Fluid	2oz.
5433	37.5 Weight Silicone Shock Fluid	2oz.
5434	42.5 Weight Silicone Shock Fluid	2oz.
5435	50 Weight Silicone Shock Fluid	2oz.
5436	60 Weight Silicone Shock Fluid	2oz.
5437	70 Weight Silicone Shock Fluid	2oz.
5438	47.5 Weight Silicone Shock Fluid	2oz.

OPTION PARTS

42010	Enduro Bumper Mounts, Hard	1
42013	Enduro Shock Mount Set, Hard	1
42014	Enduro Floor Board, Receiver Box, Hard	1
42015	Enduro Rock Slider, Hard	1
42024	Stealth X Gearbox Top Shaft, Inverse Gearbox	1
42031	FT Stealth X Gearbox Idler Gear Set, Machined	1
42032	FT Stealth X Gearbox Drive Gear Set, Machined	1
42033	FT Stealth X Spur Gear Hub, Aluminum	2
42034	Stealth X Gearbox, Complete	1
42054	FT Pivot Ball, Steel (6mm)	10
42055	FT Pivot Ball, Shock Bushing, Steel	4
42071	Enduro Diff Cover and Lower 4-Link Mounts, Hard	1
42072	Enduro Axle Housing (Front, Rear), Hard	1 ea
42073	Enduro Caster and Steering Blocks, Hard	1
42076	FT Enduro Wheel Hex, 6mm (w/Set Screw) Steel	4
42077	Enduro Axle Kit, Complete (Builds either 1 front or 1 rear axle)	1

PINIONS / SPUR GEARS

1335	17T 48P Aluminum Pinion Gear	1
1336	18T 48P Aluminum Pinion Gear	1
1337	19T 48P Aluminum Pinion Gear	1
1338	20T 48P Aluminum Pinion Gear	1
1339	21T 48P Aluminum Pinion Gear	1
1340	22T 48P Aluminum Pinion Gear	1
1341	23T 48P Aluminum Pinion Gear	1
1342	24T 48P Aluminum Pinion Gear	1
1343	25T 48P Aluminum Pinion Gear	1
1344	26T 48P Aluminum Pinion Gear	1
1345	27T 48P Aluminum Pinion Gear	1
9652	78T 48P Spur Gear	1
9653	84T 48P Spur Gear	1
9654	87T 48P Spur Gear (Kit)	1

BODIES & DECALS

5407	O-Rings, Red, Silicone	8
6332	Body Clips	10
7187	M2x8mm SHCS	10
21173	Body Clips, Small	10
25203	M3x12mm FHCS	10
31509	M2x3mm BHCS	10
31531	M3x6mm BHCS	10
41079	M2.5x6mm SHCS	10
42120	Sendero Body Set, Clear (with Black Body Accessories)	1
42121	Sendero Body, Clear (Cab, Bed, Window Masks)	1
42122	Sendero Body Decal Sheet	1
42123	Sendero Body Accessories, Black	1
42124	Sendero Body Accessories, Chrome	1
42125	Sendero Body Accessories, Satin Chrome	1
42126	Sendero Bumpers (Front, Rear, and Fairlead), Black	1
42127	FT Sendero Fairlead, Aluminum	1
42128	FT Sendero Fairlead, Gunmetal Aluminum	1
42129	FT Sendero Fairlead, Green Aluminum	1
42130	FT Sendero Fairlead, Blue Aluminum	1
42132	Sendero Inner Fenders	1
42133	Element Decal Sheet	1

LUBES & ADHESIVES

1105	FT Green Slime Shock Lube	1
1596	FT Locking Adhesive	1
1597	FT Tire Adhesive, medium	1
6588	Black Grease - 4cc	1
6591	S.Diff Lube - 4cc	1
6636	Silicone Grease - 4cc	1
6727	Servo Tape	2

MYLAPS TRANSPONDERS

MLP10R120	MyLaps RC4 (3-wire) Transponder	1
MLP10R147	MyLaps RC4 (3-wire) Pro Transponder, Black	1
MLP40R222	MyLaps Transponder Holder	1

XP / AE ELECTRONICS

29204	AE XP-R4 2.4GHz 4CH Receiver	1
29257	AE XP130 2.4GHz 3CH Radio System	1
29262	ESS-One+ 2017 Engine Sound System	1
29263	ESS-Dual+ Engine Sound System	1
29264	ESS-Air Engine Sound System	1
29265	XP Police Light Bar, 1:10 Scale	1
29266	XP LED RC Light Kit (12 LED's)	1
29267	XP LED Roof Light Kit (4 LED's)	1
29268	XP LED Roof Light Kit (6 LED's)	1
29272	XP 5 LED Aluminum Light Bar, 88mm	1
29273	XP 7 LED Aluminum Light Bar, 120mm	1
29274	XP 10 LED Aluminum Light Bar, 170mm	1
29275	XP LED Light Bar Hardware	1
29277	XP Head and Tail Light Kit	1
29279	XP LED Rock Light Set, 150mm	1
29290	XP DSV System	1

REEDY ELECTRONICS

MOTORS

27424	Reedy Radon2 Crawler 16T 5-Slot 1850kV Brushed Motor	
27430	Reedy Crawler 16T 5-Slot RTR Brushed Motor	

ESC's (SPEED CONTROLLERS)

29199	Reedy SC400X Brushed Crawler ESC	
--------------	----------------------------------	--

SERVOS & SERVO ACCESSORIES

27100	RS1206 Digital HV Hi-Speed Competition Servo	
27101	RT1508 Digital HV Hi-Torque Competition Servo	
27102	RS1206 Servo Case Set w/screws	
27103	RS1206 Servo Gear Set	
27104	RT1508 Servo Case Set w/screws	
27105	RT1508 Servo Gear Set	
27110	0712MG Digital RTR Servo	
27111	1514MG Digital RTR Servo	
27114	RT2406 Digital HV Brushless Competition Servo	
27115	RT2706A Digital HV Aluminum Brushless Competition Servo	
27116	RC2312 Digital HV Competition Crawler Servo	
27122	Reedy Aluminum Servo Horn (25)	
27123	Reedy Aluminum Clamping Servo Horn (25)	
27129	0712MG Servo Gear Set	
27130	1514MG Servo Gear Set	
27135	RT2406 Gear Set	
27136	RT2706A Gear Set	
27139	RT2406 Case Set	
27140	RC2312 Gear Set	
27141	RC2312 Case Set	
27142	1320MG Digital RTR Servo	

REEDY ACCESSORIES

647	Silicone Wire 12AWG-Black (1m)	
648	Silicone Wire 14AWG-Black (1m)	
650	Shrink Tubing - 15pcs 4.5mm x 20mm	
790	Silicone Wire 13AWG-Black (1m)	
791	Silicone Wire 13AWG-Black (30m)	
27304	LiPo Battery Weight Set - Shorty	

REEDY BATTERIES / CHARGERS

BATTERIES

302	AA Alkaline 1.5V (4)	
682	Wolfpack 3000mAh 7.2V w/T-Plug connector	
751	Wolfpack LiPo 3300mAh 30C 7.4V w/T-Plug (#730)	
752	Wolfpack LiPo 4000mAh 35C 7.4V w/T-Plug (#731)	
753	Wolfpack LiPo 5400mAh 35C 7.4V w/T-Plug (#732)	
754	Wolfpack LiPo 7500mAh 30C 7.4V w/T-Plug (#734)	
755	Wolfpack LiPo 4500mAh 35C 11.1V w/T-Plug (#735)	
758	Wolfpack LiPo 3000mAh 30C 7.4V Shorty w/T-Plug	
759	Wolfpack LiPo 3000mAh 30C 11.1V Shorty w/T-Plug	
27313	LiPo Pro TX/RX 2400mAh 7.4V Flat	
27315	LiFe Pro TX/RX 1600mAh 6.6V Flat	

CHARGERS

27200	1216-C2 Dual AC/DC Competition Battery Charger	
27200CN	1216-C2 Dual AC/DC Competition Battery Charger - CHN Plug	
27200EU	1216-C2 Dual AC/DC Competition Battery Charger - EURO Plug	
27200UK	1216-C2 Dual AC/DC Competition Battery Charger - UK Plug	
27201	324-S AC LiPo/LiFe Compact Balance Charger	
27201C2	324-S Charger w/3300mAh 7.4V LiPo Battery	
27201C2	324-S Charger w/4500mAh 11.1V LiPo Battery	
27202	123-S AC LiPo Compact Balance Charger	

CHARGER ACCESSORIES

27220	7-in-1 Universal Charge Lead (4mm)	
27221	T-plug Charge Lead (4mm)	
27222	XH 2-6S Balance Board (4mm)	
27223	RX Charger Lead FUT (4mm)	
27224	US to IEC 320 C5 angle IMAC Power Cord	
27225	US to IEC 320 C5 angle .5M AC Power Cord	
27226	EU to IEC 320 C5 angle IMAC Power Cord	
27227	UK to IEC 320 C5 angle IMAC Power Cord	
27228	AU to IEC 320 C5 angle IMAC Power Cord	
27229	CN to IEC 320 C5 angle IMAC Power Cord	

GATE 01**STEALTH X: BUILD CONFIGURATION: MOTOR MOUNT FACING REAR (STOCK)****OVERDRIVE:**

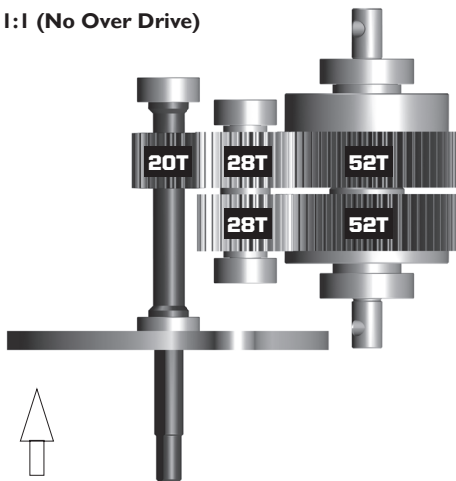
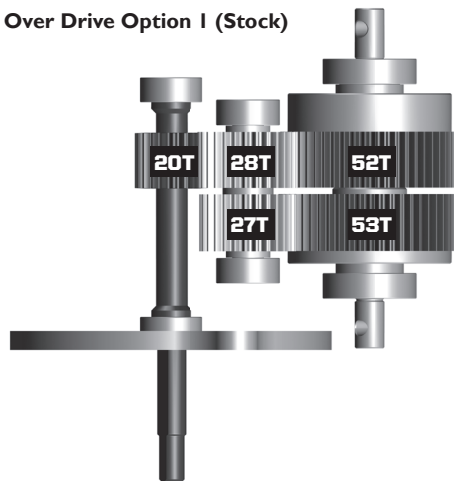
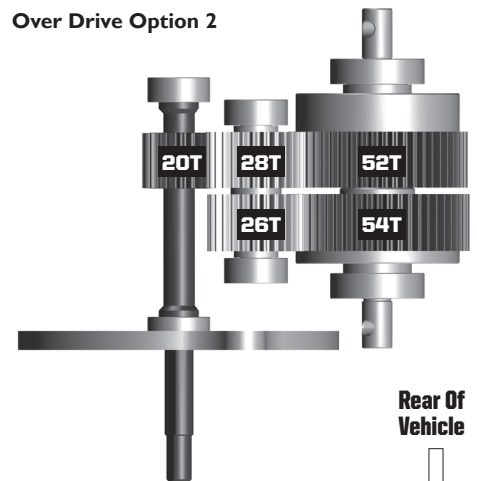
Overdrive is a scenario where the front and rear wheels do not rotate at the same speed. The Stealth X gearbox is designed to allow the front wheels to spin faster than the rear wheels. Overdrive is advantageous when climbing up rock faces because the front tires will want to pull the vehicle up the rock. On descents, the rear tires rotating slower than the front tires will help keep the chassis more stable and keep the rear tires planted on the ground.

Stealth X:

The Stealth X gearbox allows the driver to change the front to rear drive ratios with 3 separate ratio adjustments to the rear drive shaft. The driver has the option to flip the gearbox direction (motor mount facing the front) the optional inverse top shaft (#42024) is required.

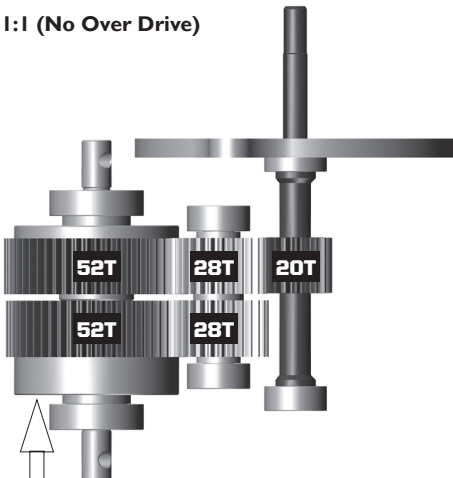
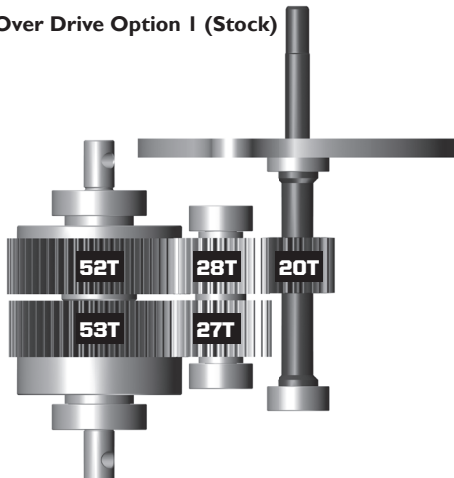
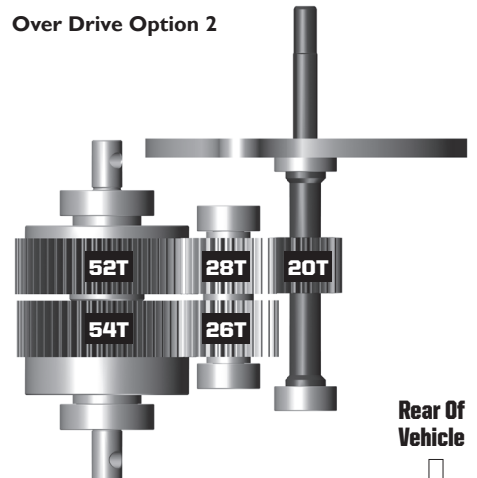
Please Note:

The 20T top shaft, 28T idler gear, and 52T drive gear will always be meshed together in all 6 gearbox configurations.

GATE 02**STEALTH X: BUILD CONFIGURATION: MOTOR MOUNT FACING REAR (STOCK)****1:1 (No Over Drive)****Over Drive Option 1 (Stock)****Over Drive Option 2**

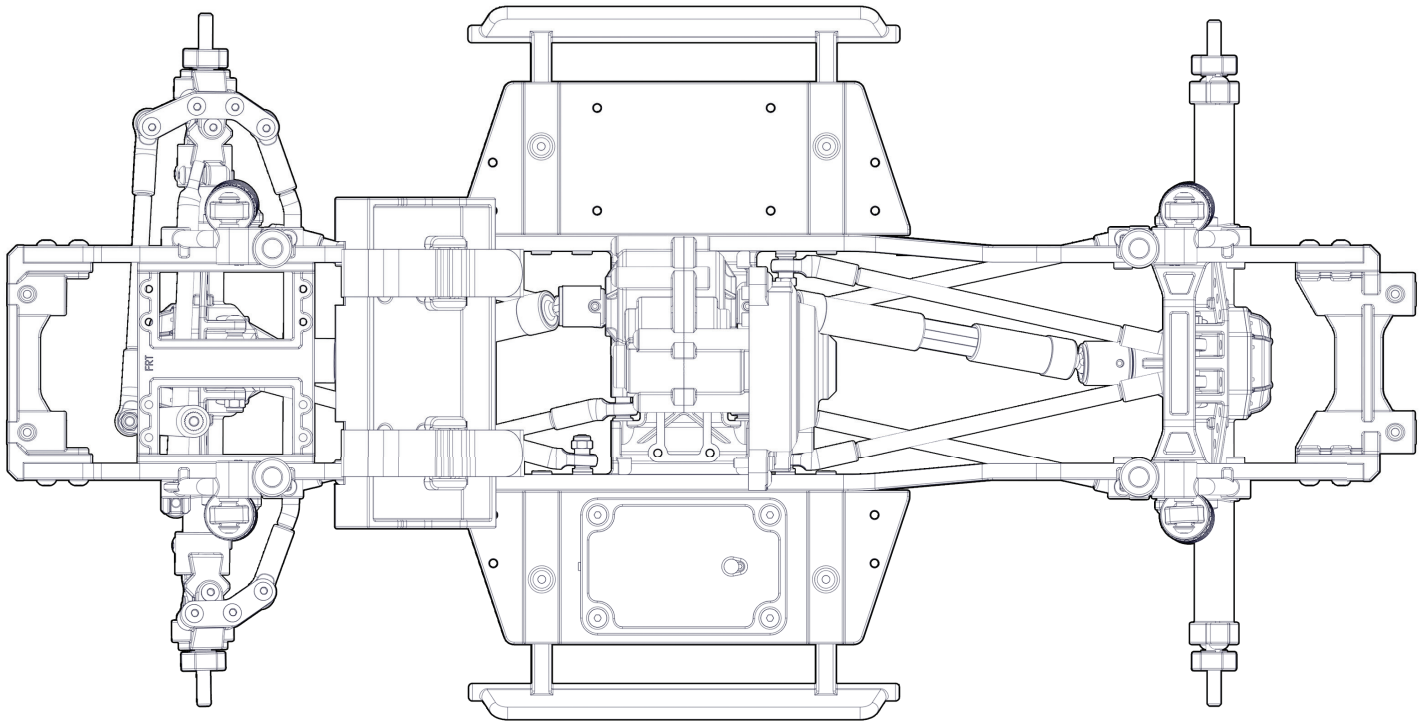
Front Of Vehicle

Rear Of Vehicle

GATE 03**STEALTH X: BUILD CONFIGURATION: MOTOR MOUNT FACING FRONT (OPTIONAL - REQUIRES #42024 - TOP SHAFT)****1:1 (No Over Drive)****Over Drive Option 1 (Stock)****Over Drive Option 2**

Front Of Vehicle

Rear Of Vehicle



ASSOCIATED ELECTRICS

ASSOCIATED ELECTRICS, INC.
26021 COMMERCENTRE DR. LAKE FOREST, CA 92630 USA

CALL: (949) 544-7500 - FAX: (949) 544-7501
CHECK OUT THE FOLLOWING WEB SITES FOR ALL OF OUR KITS,
CURRENT PRODUCTS, NEW RELEASES, SETUP HELP, TIPS, AND RACING INFO!
WWW.ASSOCIATEDELECTRICS.COM
#111991



ElementRC



@Element_RC