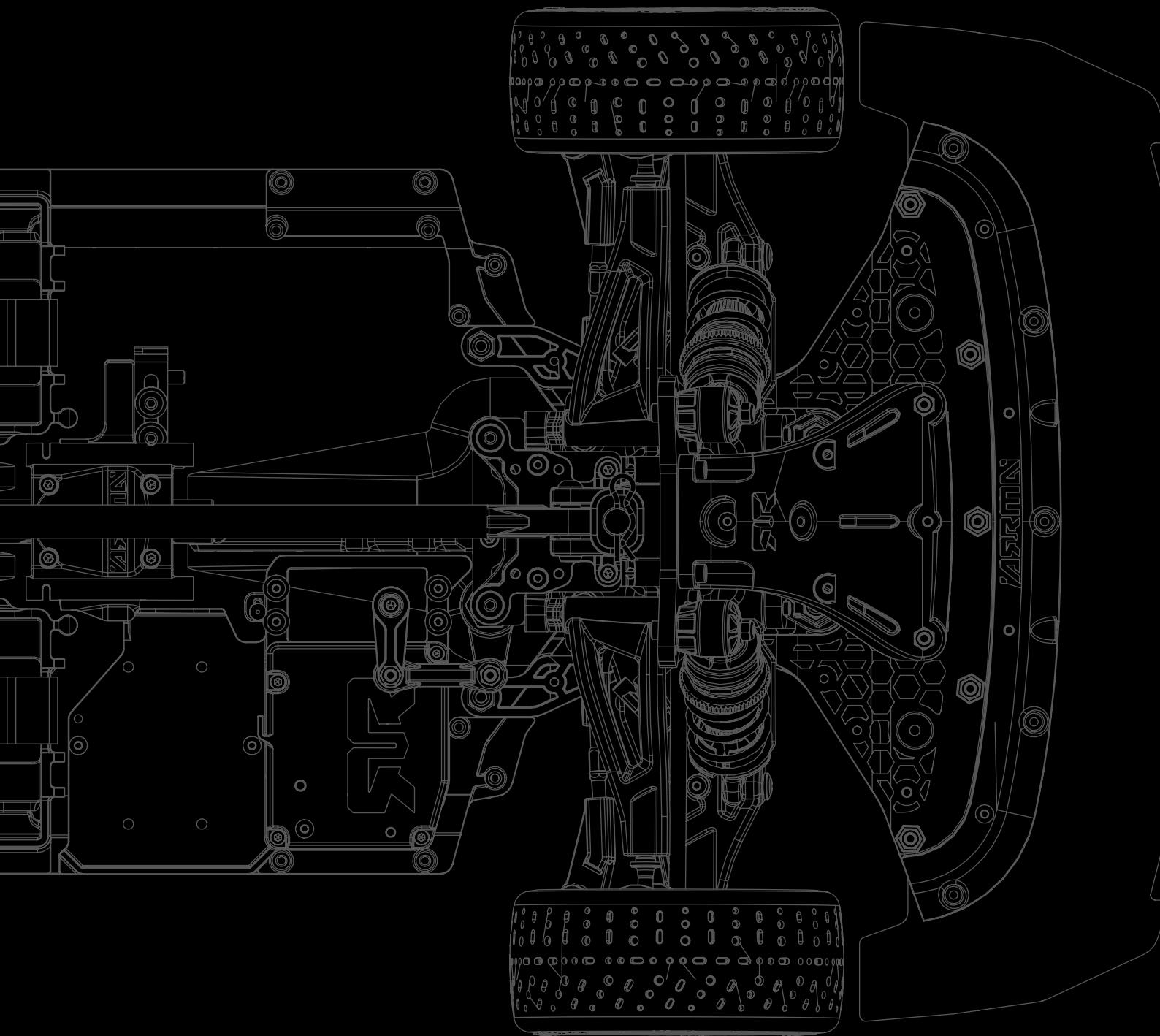


LIMITLESS™

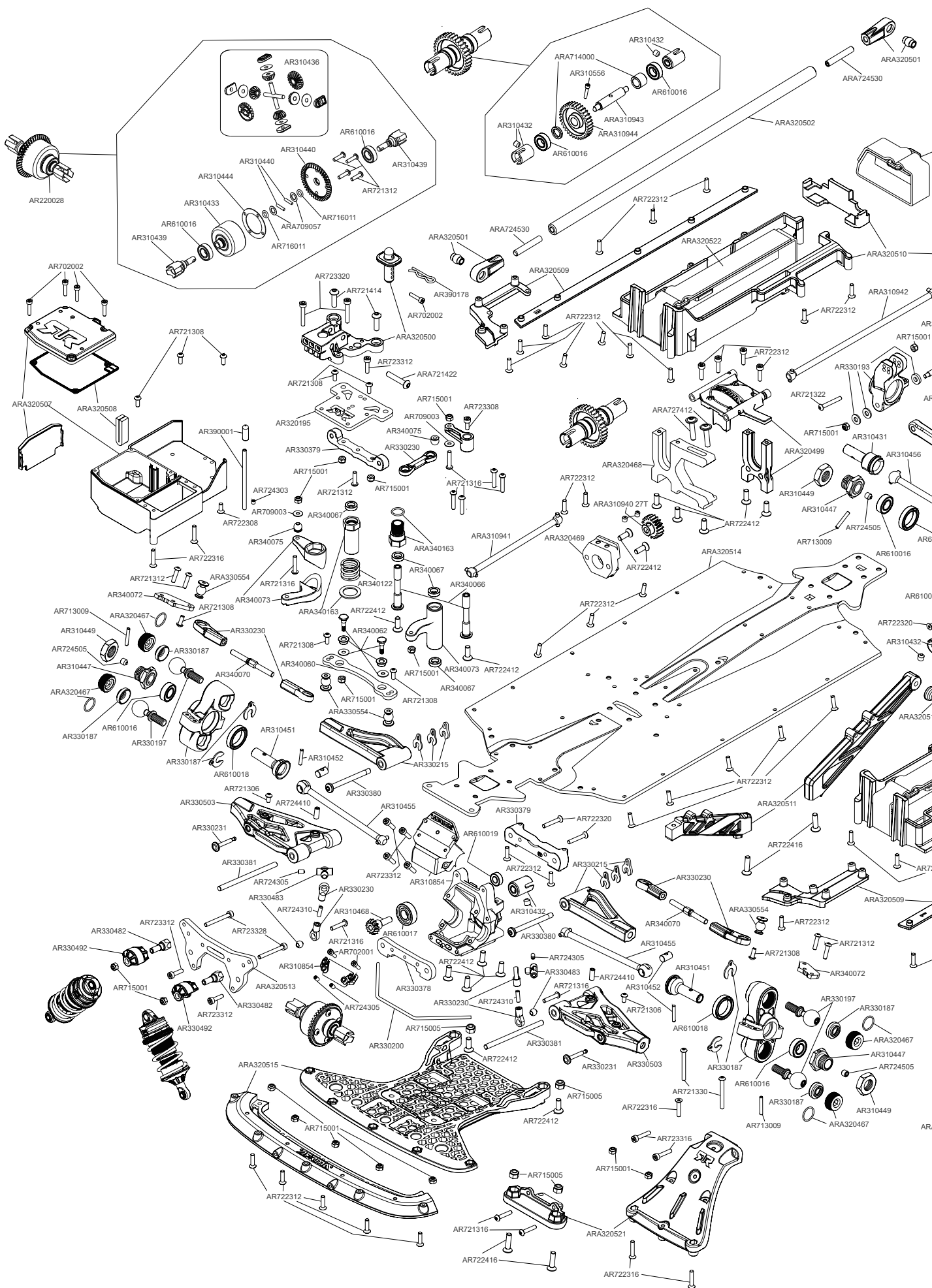


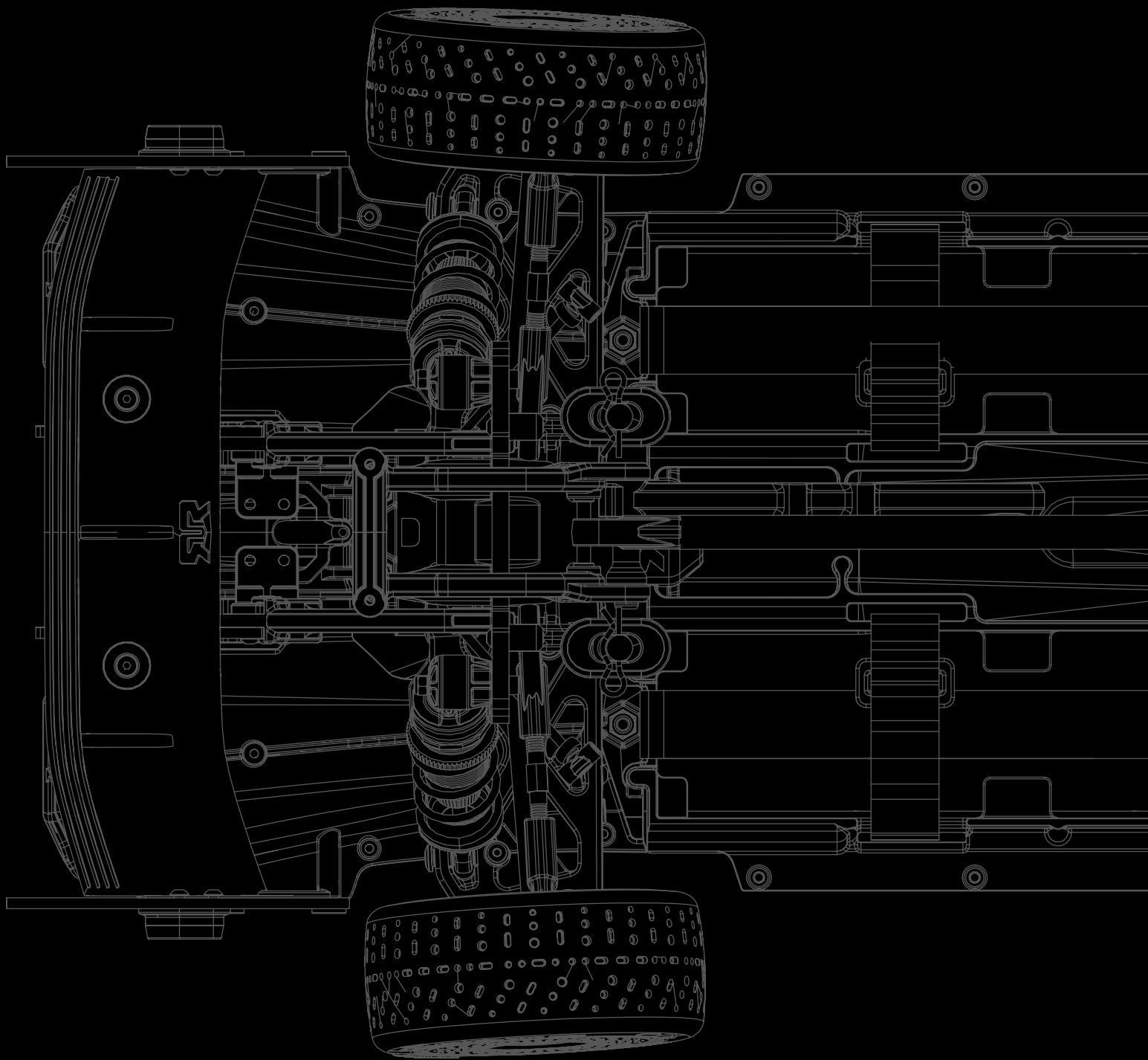
INSTRUCTION/MANUAL

BEDIENUNGSANLEITUNG
MODE D'EMPLOI

HORIZON
H O B B Y

'ARRMA'®





ARB200020192
ARRMA-RC.COM

©2019 Horizon Hobby, LLC. ARRMA RC is a trade name of Horizon Hobby Ltd. Horizon Hobby Ltd is a subsidiary of Horizon Hobby, LLC. ARRMA, the ARRMA logo, LIMITLESS, dBoots, and the Horizon Hobby logo are trademarks or registered trademarks of Horizon Hobby, LLC. 59510