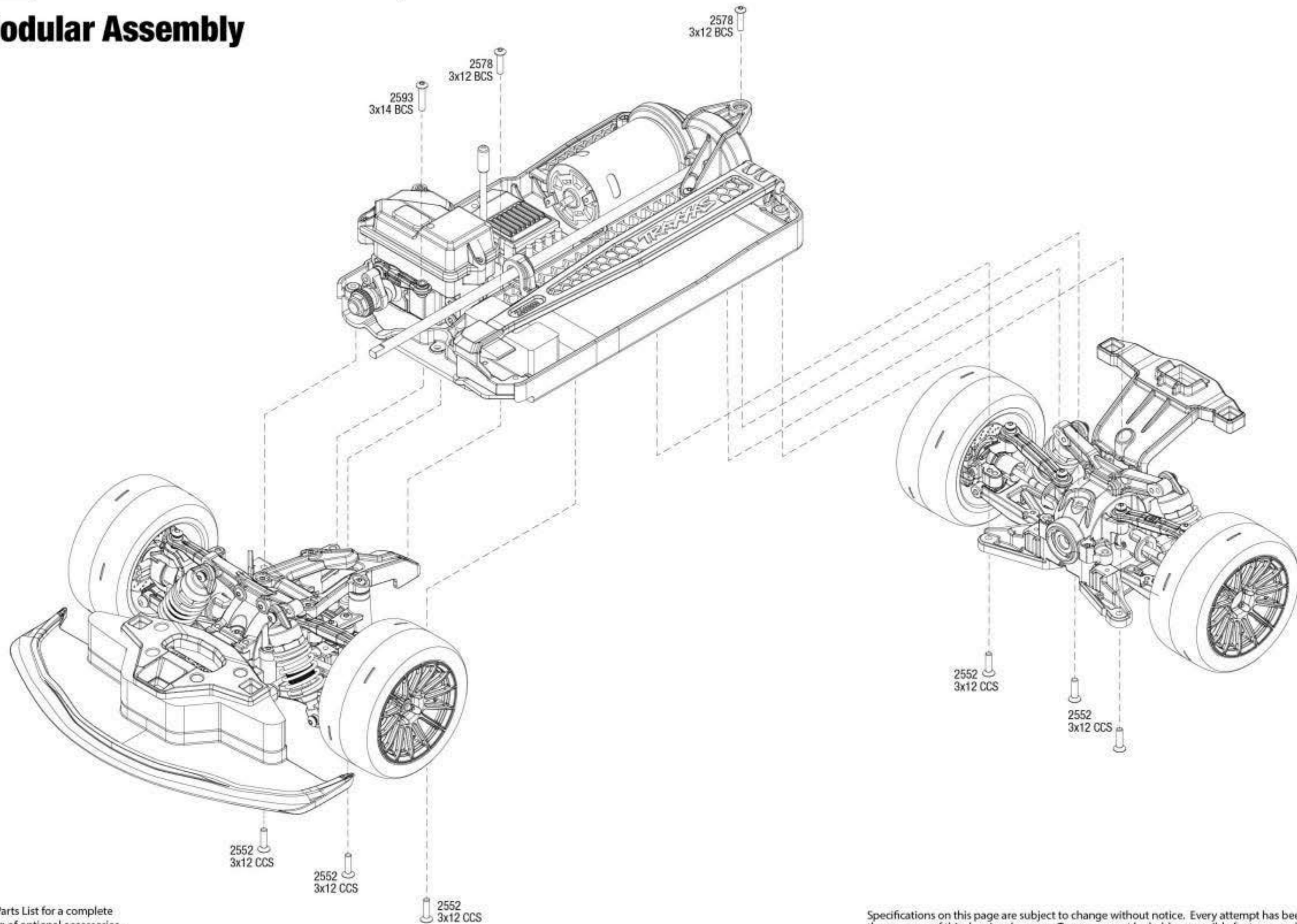


Modular Assembly



See Parts List for a complete listing of optional accessories.