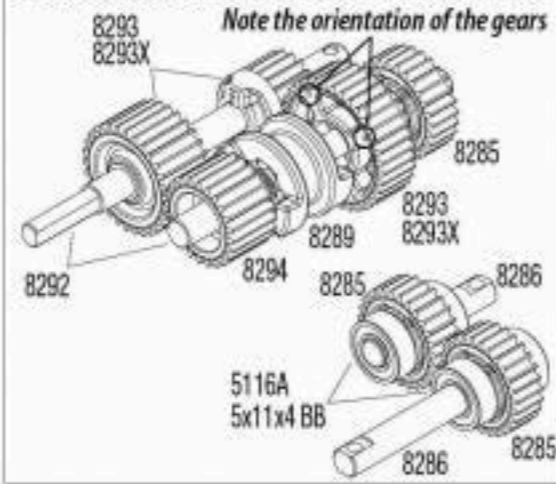


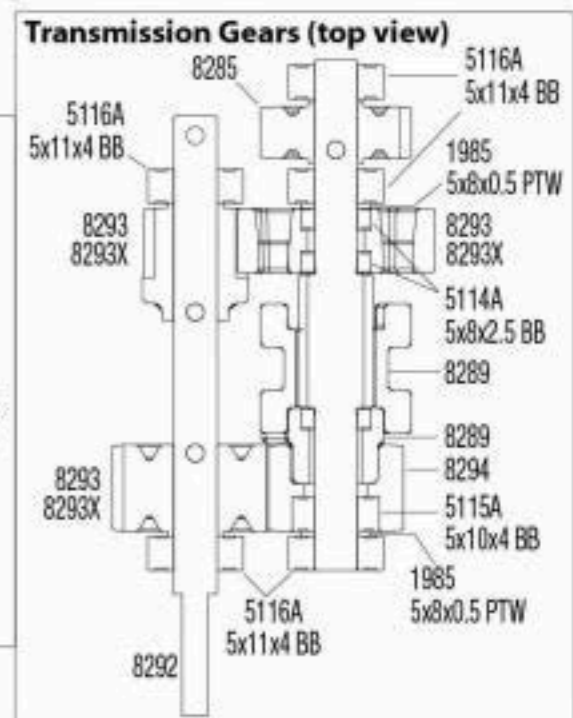
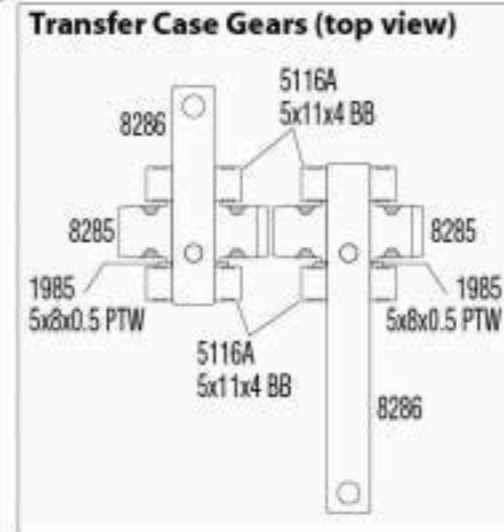
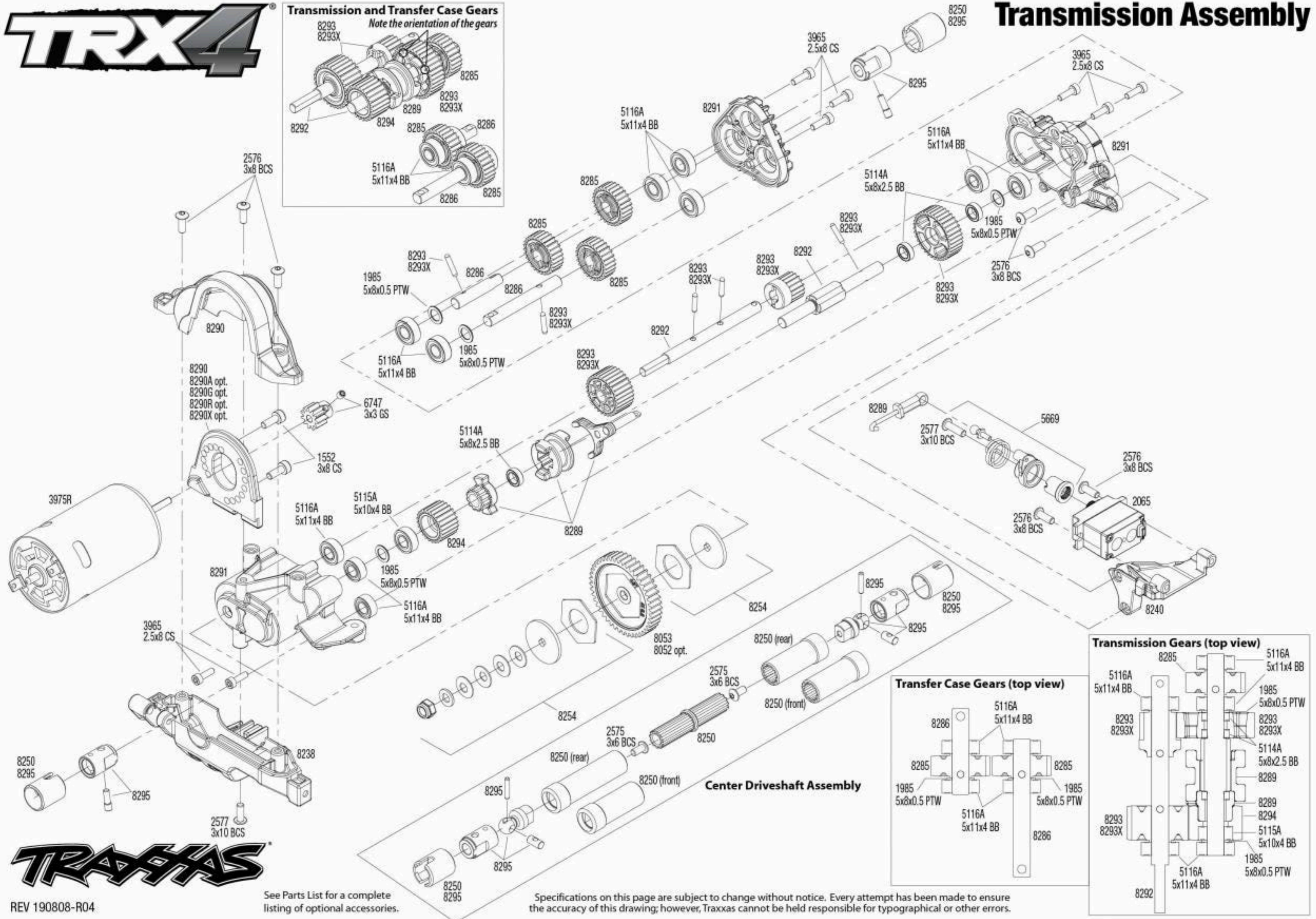


Transmission and Transfer Case Gears

Note the orientation of the gears



Transmission Assembly



Center Driveshaft Assembly