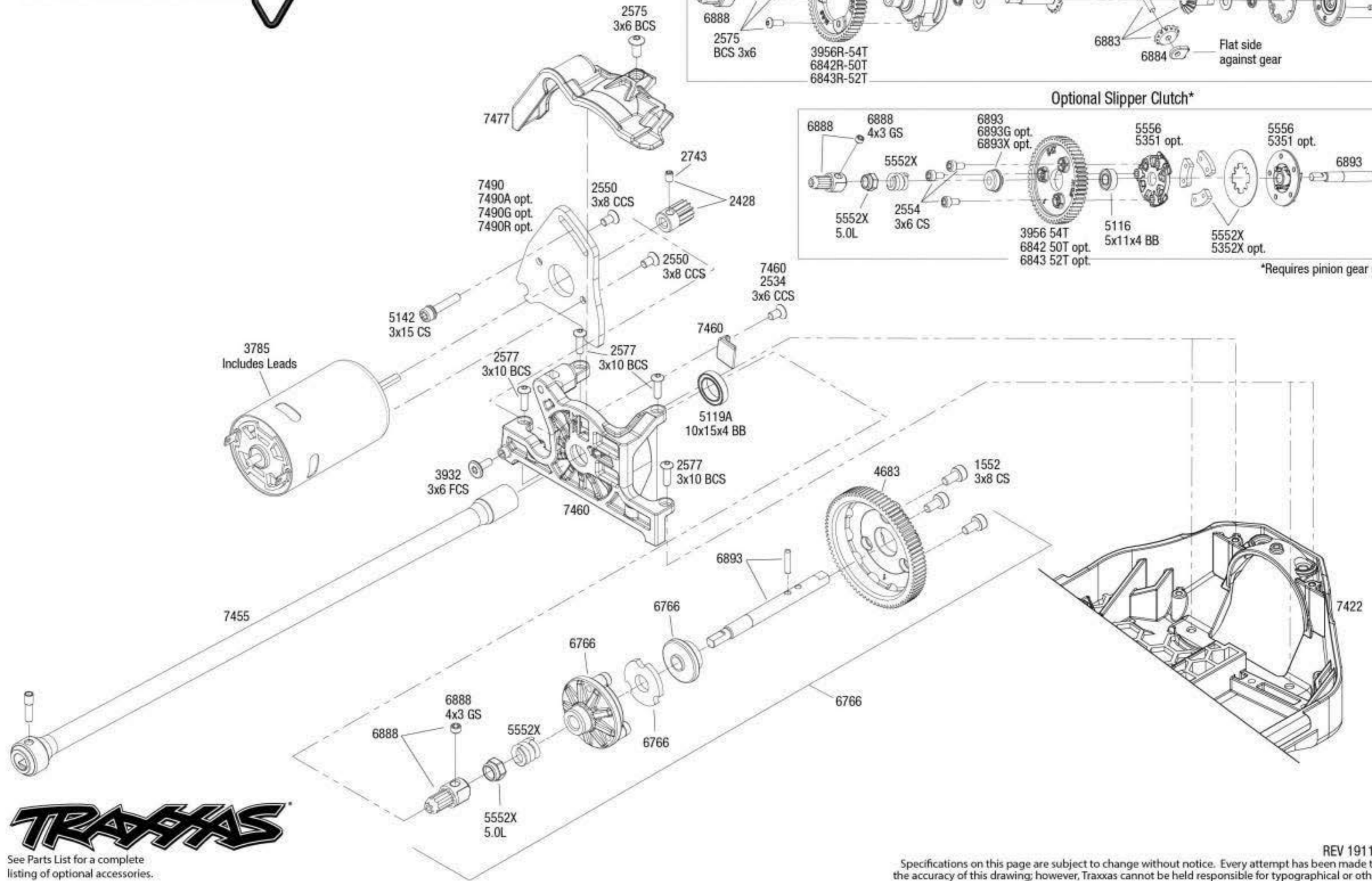


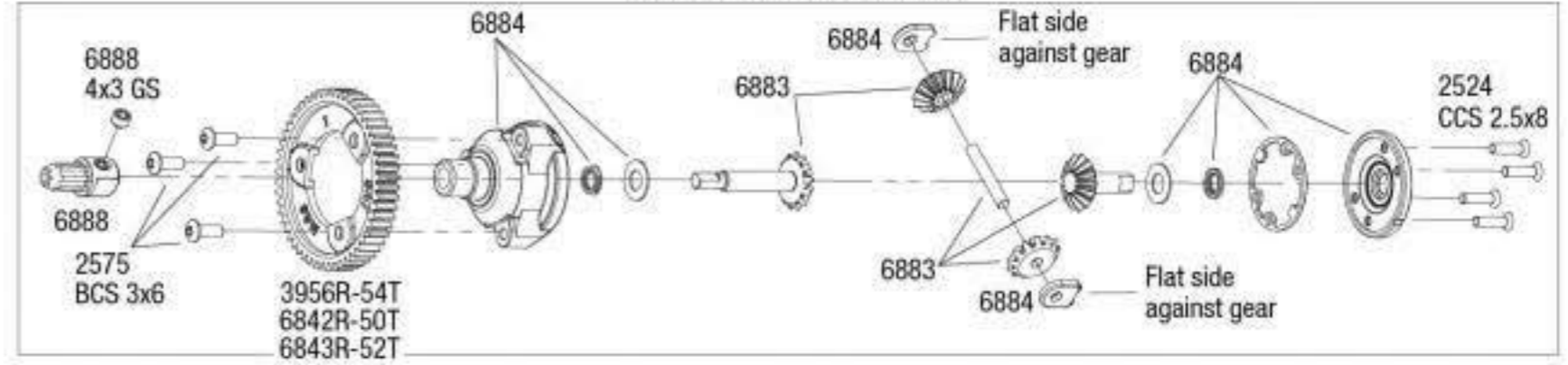
# Fiesta ST Transmission Assembly



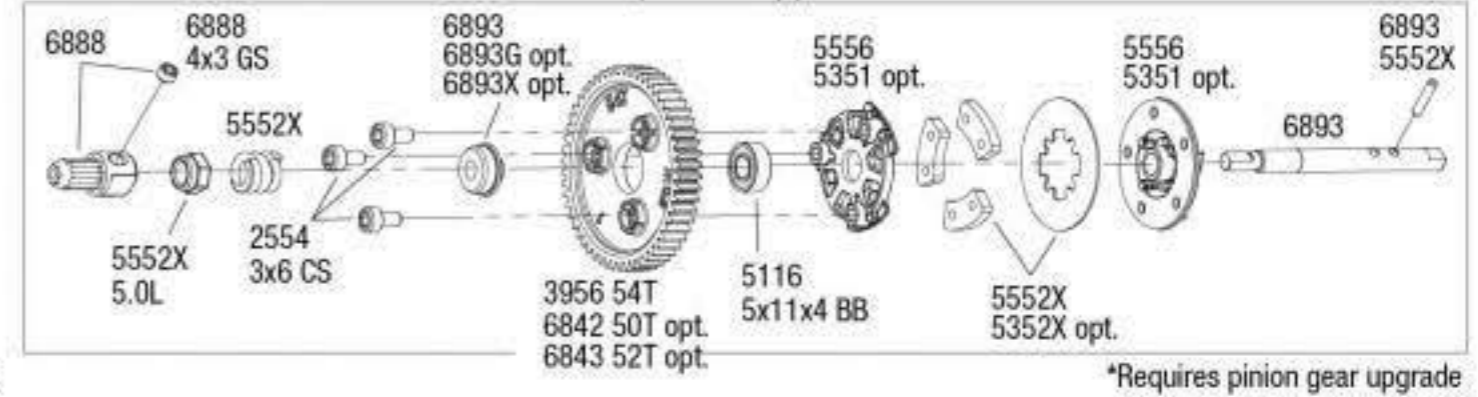
See Parts List for a complete listing of optional accessories.



## Optional Center Differential\*



## Optional Slipper Clutch\*



REV 191126-R08

Specifications on this page are subject to change without notice. Every attempt has been made to ensure the accuracy of this drawing; however, Traxxas cannot be held responsible for typographical or other errors.