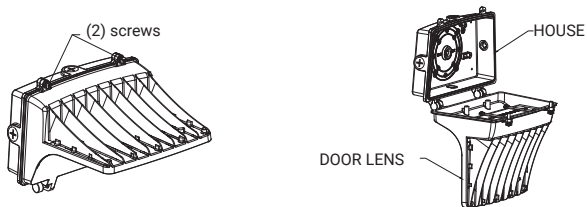


## INSTALLATION:

1. Unscrew door with Phillips screwdriver by loosening (2) screws. Confirm junction box size and junction box mounting provisions to that of the light fixture.
2. Attach the light fixture to the junction box or mounting surface.
3. Attach the appropriate wires to the light fixture wires, green to green, black to black and white to white. Secure each wire pair with a wire nut. (Wiring instruction FYI.)
4. Close the door and tighten (2) screws on the door lens. Nothing should be trapped in the gasket sealing area when the door is closed.



## MAINTENANCE CAUTION:

1. Review the diagrams before beginning, and make sure the fixture is grounded properly.
2. Turn the power off and wait for fixture cooling to operate.
3. This fixture has to be installed or maintenance in accordance with the application code by a professional person who familiar with the construction and operation of the product and the hazards involved.

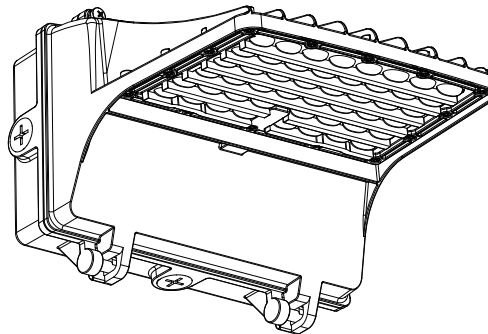
## WARRANTY:

### 5-YEAR WARRANTY.

If this product fail to perform satisfactorily due to defect or poor workmanship within five years from the date of purchase, return it to the place of purchase and it will be replaced, free of charge. Incidental or consequential damages are excluded from the warranty.

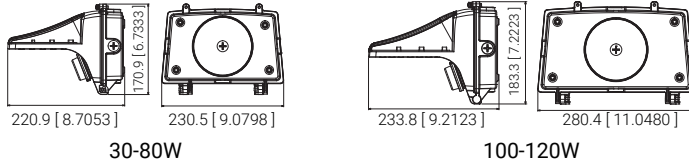
# LED Full Cut-Off Wall Pack

## Installation Instructions



30W/40W/50W/60W/80W/100W/120W

## DIMENSIONAL DRAWING:



## SAFETY INSTRUCTION:

- This fixture must be wired in accordance with the international electrical code and applicable local codes and ordinances.
- Proper grounding is required to insure personal safety. Carefully observe the correct grounding procedure under installation section.
- Make sure power off before installing or maintaining fixture.
- Check that voltage is compatible with fixture driver, use approved connectors for all electrical connections.

**IMPORTANT: READ CAREFULLY BEFORE INSTALLING FIXTURE. RETAIN FOR FUTURE REFERENCE.**

## CLEANING:

1. Before touching fixture, make sure the fixture is cooling.
2. Do not clean or maintain while fixture is energized.
3. Clean lens & fixture with non-abrasive glass cleaning solution.
4. Do not open fixture to clean and touch LED chips.

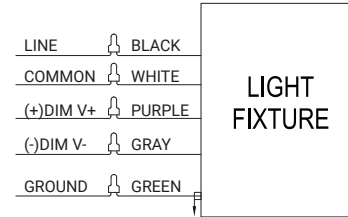
## WIRING INSTRUCTION:

**WARNING: TURN OFF POWER BEFORE CONNECTING WIRES.**

Black wire connect to L, White wire connect to N, Green wire connect to GROUND.

For 0-10V dimming, the wiring direction as below:

1. Turn off the power.
2. Connect the **BLACK** wire with the **LINE**.
3. Connect the **WHITE** wire with the **COMMON**.
4. Connect the **GREEN** wire with the **GROUND**.  
Caution: DO NOT connect the **GRAY (-)DIM V-** wire with **GROUND**.
5. Connect the **PURPLE** wire with the **(V+) DIM**.
6. Connect the **GARY** wire with the **(V-) DIM**.



## INSTALLATION:

**Tools: Phillips head screw driver and electrical wiring tools.**

The fixture must be mounted on the wall with lens facing down as shown with picture.

