

TRIMAX SERIES



Description

The multipurpose **Trimax** LED High Bay/Low Bay/Floodlight series can withstand very high temperatures. Its standard operating temperatures are between **-30° to 60° C / -22° to 140° F**. It also has a High Temperature Option that increases its operating temperature range to **-30° to 80°C / -22° to 176°F**

Trimax has a lumen output of 130 Lumens per watt.

Trimax boasts a versatile modular design with several optical lens choices. Easy installation and maintenance makes this IP66 rated fixture your number one choice for premium applications. Multiple accessories are available for a more flexible application.

Electrical Specifications

LED Type: Osram/Philips Lumileds
 Available Wattages: 100W, 150W, 200W, 300W, 450W
 Power Factor: >0.95
 Standard Surge Protection: 12kV
 Operating Temperature: -30 to 60°C (-22 to 140°F)
 Storing Temperature: -40 to 80°C (-40 to 176°F)
 Humidity: 15% to 95% RH
 Lumen Maintenance: L70>100,000 hours
 EPA: Horizontal: 0.58 ft²
 45° : 100W: 0.76 ft²; 150W 0.99 ft²; 200W: 1.22 ft²;
 300W: 1.68 ft²; 450W: 2.37 ft²
 Available Voltages: 120-277V and 277-480V
 The standard length of the cord is 0.3m / 1ft.
 Standard 0-10V dimming.
 Standard 6KV Surge Protection for Normal Temp
 Standard 4KV Surge Protection for High Temp
 Optional 20KV Surge Protection for Normal/High Temp

Mounting Options

Available in Yoke mounting YK (single yoke for 100W-200W and double yoke for 300W-450W), long arm LA, short arm SA, surface mount CM, eye-bolt EB, long slip fitter LS (300W-450W only), and short slip fitter SS (300W-450W only).

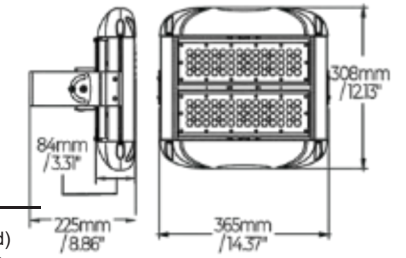
High Temperature Option

Operating temperature between **-30° to 80°C / -22° to 176°F**

Certifications and Warranty

CE, ETL, DLC Premium with 6 year warranty

TRIMAX 100W



Product Information

100W

Installation:	Yoke (Standard), (100W-200W Single) (300W-450W Double), / Long or Short Arm, Surface Mount, Eye-Bolt and Long or Short Slip Fitter (300W-450W only)
Material:	Aluminum alloy
Finish:	Powder coat
System power (W):	100
Fixture lumen output (lm):	13000
System efficiency (lm/W):	130
LED Engine:	Osram/Philips Lumileds
Burning Hours (hrs@L70)	>100,000

Packaging

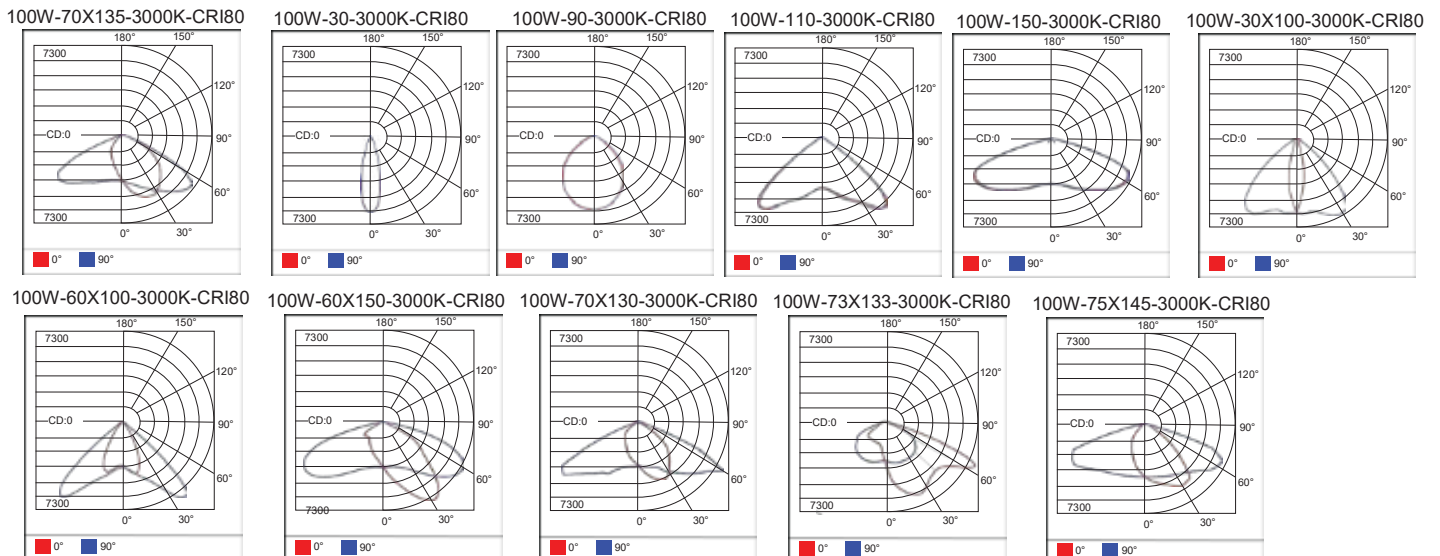
Net weight lamp (kg/lb):	8.2 / 18.08
Gross weight carton (kg/lb):	9.2 / 20.28
Master carton dimensions (mm/in):	440x440x260 / 17.32x17.32x10.23
Quantity per carton:	1

Code composition

Series	Model	Mounting	Wattage-Lumens	Optics
FL Flood Light	TR Trimax	YK Yoke (Single 100W-200W) (Double 300W-450W)	100W-130L 100W-13000lm	70X135D (Standard)
		LA Arm Long Axial Mount		30 30D
		SA Arm Short Axial Mount		90 90D
		CM Surface Mount		110 110D
		EB Eye-Bolt		150 150D
				30X100 30X100D
				60X100 60X100D
				60X150 60X150D
				70X130 70X130D
				73X133 73X133D
	75X145 75X145D			

CCT	CRI	Voltage	Dimming	Finish	Accessories
30K 3000K	80 80+	UNV 120-277V	D 0-10V Dimming	SL Silver Finish	HT 30° to 80°C / -22° to 176°F
35K 3500K	90 90+	HV 277-480V			NPT1 1 NPT Pendant
40K 4000K					NPT2 2 NPT Pendant
50K 5000K					AC Aircraft Cable (3m)
					OS Occupancy Sensor
					SPD20 20KV Surge Protection Device (Optional)

Standard



TRIMAX 150W



Product Information

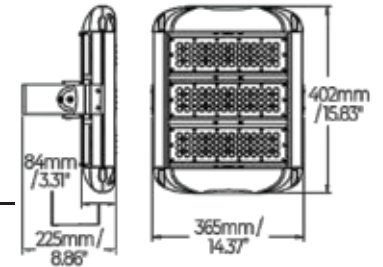
	150W
Installation:	Yoke (Standard), (100W-200W Single) (300W-450W Double), / Long or Short Arm, Surface Mount, Eye-Bolt and Long or Short Slip Fitter (300W-450W only)
Material:	Aluminum alloy
Finish:	Powder coat
System power (W):	150
Fixture lumen output (lm):	19500
System efficiency (lm/W):	130
LED Engine:	Osram/Philips Lumileds
Burning Hours (hrs@L70)	>100,000

Packaging

Net weight lamp (kg/lb):	9.3 / 20.50
Gross weight carton (kg/lb):	11 / 24.25
Master carton dimensions (mm/in):	440x440x260 / 17.32x17.32x10.23
Quantity per carton:	1

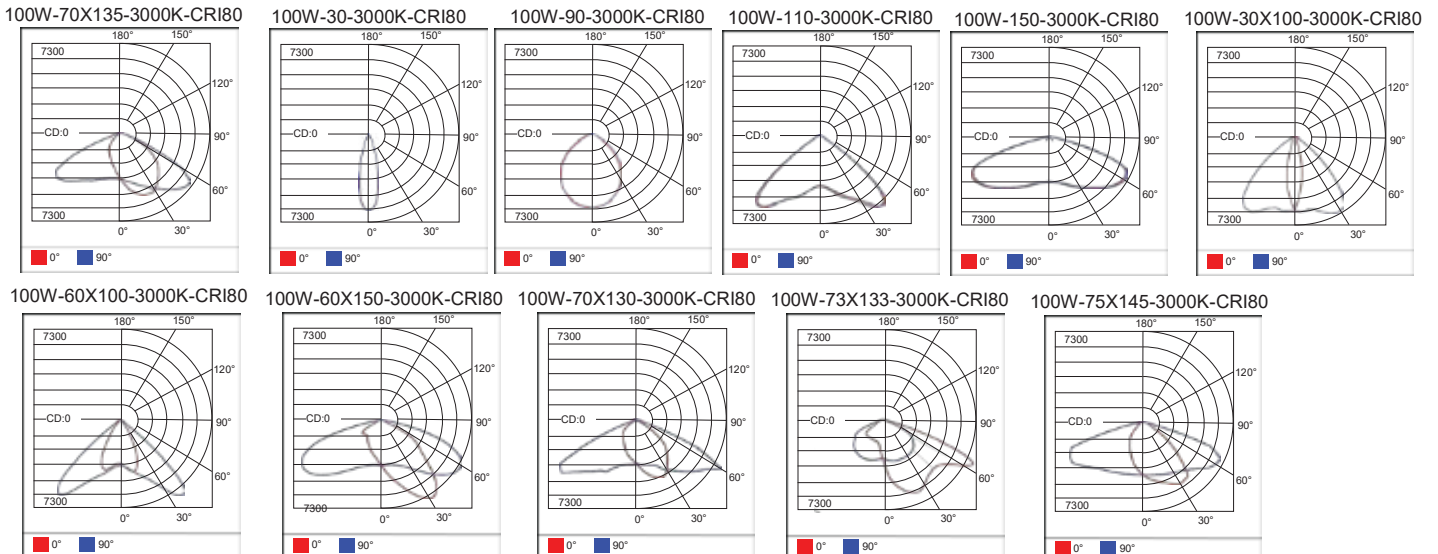
Code composition

Series	Model	Mounting	Wattage-Lumens	Optics
FL	Flood Light	TR Trimax	YK Yoke (Single 100W-200W) (Double 300W-450W)	70X135D (Standard)
				30 30D
				90 90D
				110 110D
				150 150D
				30X100 30X100D
				60X100 60X100D
				60X150 60X150D
				70X130 70X130D
				73X133 73X133D
75X145 75X145D				



CCT	CRI	Voltage	Dimming	Finish	Accessories
30K 3000K	80 80+	UNV 120-277V	D 0-10V Dimming	SL Silver Finish	HT 30° to 80°C / -22° to 176°F
35K 3500K	90 90+	HV 277-480V			NPT1 1 NPT Pendant
40K 4000K					NPT2 2 NPT Pendant
50K 5000K					AC Aircraft Cable (3m)
					OS Occupancy Sensor
					SPD20 20KV Surge Protection Device (Optional)

Standard



TRIMAX 200W



Product Information

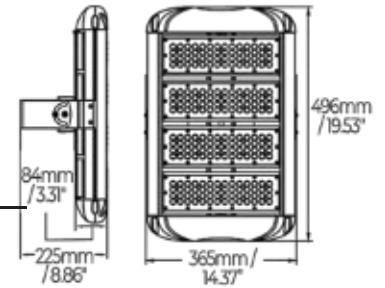
	200W
Installation:	Yoke (Standard), (100W-200W Single) (300W-450W Double), / Long or Short Arm, Surface Mount, Eye-Bolt and Long or Short Slip Fitter (300W-450W only)
Material:	Aluminum alloy
Finish:	Powder coat
System power (W):	200
Fixture lumen output (lm):	26000
System efficiency (lm/W):	130
LED Engine:	Osram/Philips Lumileds
Burning Hours (hrs@L70)	>100,000

Packaging

Net weight lamp (kg/lb):	10.7 / 23.58
Gross weight carton (kg/lb):	13 / 28.66
Master carton dimensions (mm/in):	650x440x260 / 25.59x17.32x10.23
Quantity per carton:	1

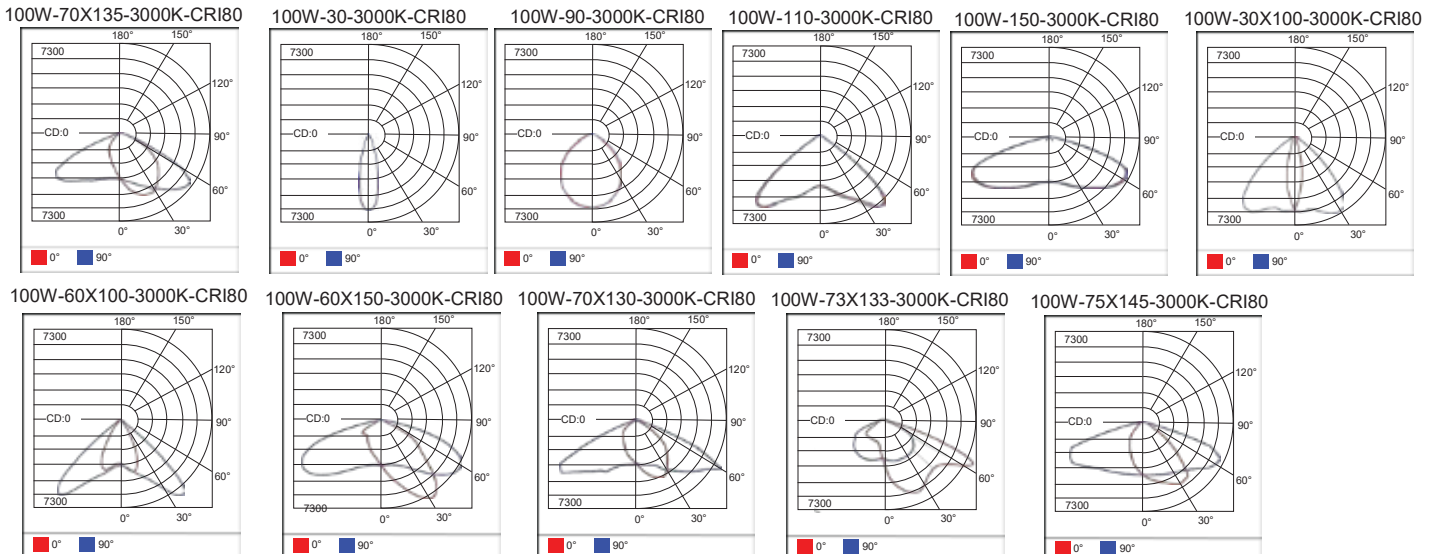
Code composition

Series	Model	Mounting	Wattage-Lumens		Optics	
FL	Flood Light	TR Trimax	YK Yoke (Single 100W-200W) (Double 300W-450W)	200W-260L	200W-26000lm	70X135D (Standard)
			LA Arm Long Axial Mount			30 30D
			SA Arm Short Axial Mount			90 90D
			CM Surface Mount			110 110D
			EB Eye-Bolt			150 150D
			LS1 Slip Fitter Long Axial Mount (100W-300W only)			30X100 30X100D
			SS1 Slip Fitter Short Axial Mount (100W-300W only)			60X100 60X100D
						60X150 60X150D
						70X130 70X130D
						73X133 73X133D
						75X145 75X145D



CCT	CRI	Voltage	Dimming	Finish	Accessories
30K 3000K	80 80+	UNV 120-277V	D 0-10V Dimming	SL Silver Finish	HT 30° to 80°C / -22° to 176°F
35K 3500K	90 90+	HV 277-480V			NPT1 1 NPT Pendant
40K 4000K					NPT2 2 NPT Pendant
50K 5000K					AC Aircraft Cable (3m)
					OS Occupancy Sensor
					SPD20 20KV Surge Protection Device (Optional)

Standard



TRIMAX 300W



Product Information

300W

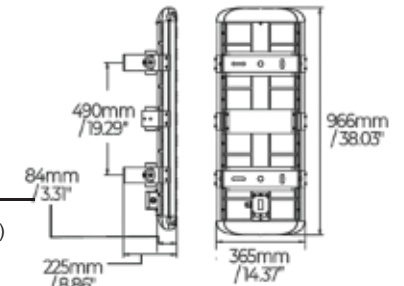
Installation:	Yoke (Standard), (100W-200W Single) (300W-450W Double), / Long or Short Arm, Surface Mount, Eye-Bolt and Long or Short Slip Fitter (300W-450W only)
Material:	Aluminum alloy
Finish:	Powder coat
System power (W):	300
Fixture lumen output (lm):	39000
System efficiency (lm/W):	130
LED Engine:	Osram/Philips Lumileds
Burning Hours (hrs@L70)	>100,000

Packaging

Net weight lamp (kg/lb):	17 / 37.48
Gross weight carton (kg/lb):	20 / 44.09
Master carton dimensions (mm/in):	770x440x260 / 30.31x17.32x10.23
Quantity per carton:	1

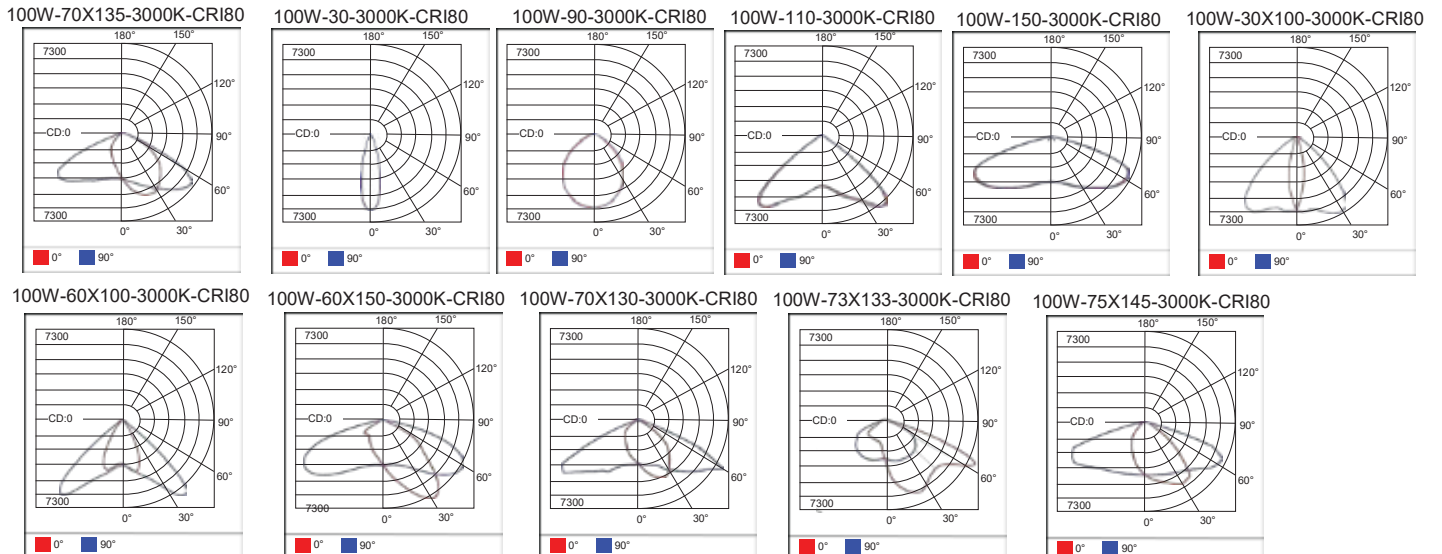
Code composition

Series	Model	Mounting	Wattage-Lumens		Optics		
FL	Flood Light	TR	Trimax	YK	Yoke (Single 100W-200W) (Double 300W-450W)	300W-390L 300W-39000lm	70X135 (Standard)
				LA	Arm Long Axial Mount		30 30D
				SA	Arm Short Axial Mount		90 90D
				CM	Surface Mount		110 110D
				EB	Eye-Bolt		150 150D
				LS1	Slip Fitter Long Axial Mount (100W-300W only)		30X100 30X100D
				SS1	Slip Fitter Short Axial Mount (100W-300W only)		60X100 60X100D
							60X150 60X150D
							70X130 70X130D
							73X133 73X133D
							75X145 75X145D



CCT	CRI	Voltage	Dimming	Finish	Accessories
30K	3000K	80 80+	UNV 120-277V	D 0-10V Dimming	SL Silver Finish
35K	3500K	90 90+	HV 277-480V		
40K	4000K				
50K	5000K				
					HT 30° to 80°C / -22° to 176°F
					NPT1 1 NPT Pendant
					NPT2 2 NPT Pendant
					AC Aircraft Cable (3m)
					OS Occupancy Sensor
					SPD20 20KV Surge Protection Device (Optional)

Standard



TRIMAX 450W



Product Information

450W

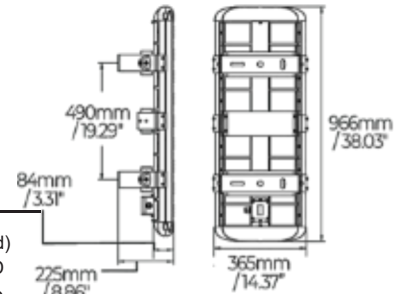
Installation:	Yoke (Standard), (100W-200W Single) (300W-450W Double), / Long or Short Arm, Surface Mount, Eye-Bolt and Long or Short Slip Fitter (300W-450W only)
Material:	Aluminum alloy
Finish:	Powder coat
System power (W):	450
Fixture lumen output (lm):	58500
System efficiency (lm/W):	130
LED Engine:	Osram/Philips Lumileds
Burning Hours (hrs@L70)	>100,000

Packaging

Net weight lamp (kg/lb):	26 / 57.32
Gross weight carton (kg/lb):	28 / 61.73
Master carton dimensions (mm/in):	770x440x260 / 30.31x17.32x10.23
Quantity per carton:	1

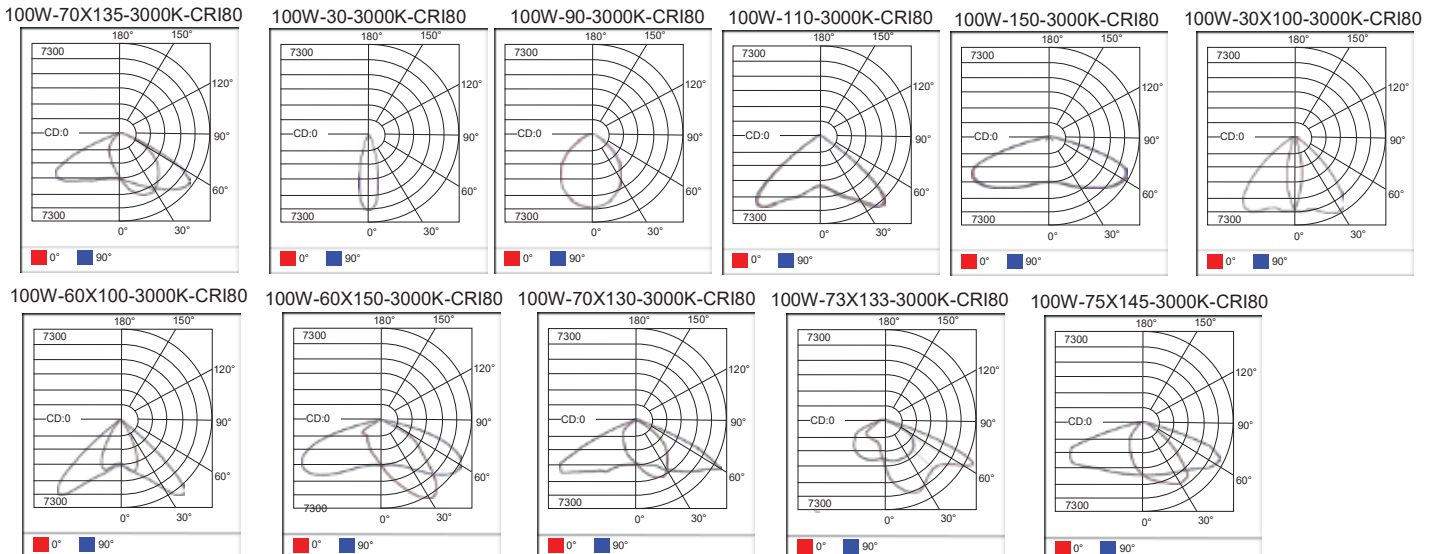
Code composition

Series	Model	Mounting	Wattage-Lumens		Optics		
FL	Flood Light	TR	Trimax	YK	Yoke (Single 100W-200W) (Double 300W-450W)	450W-585L 450W-58500lm	70X135 70X135D (Standard)
				LA	Arm Long Axial Mount		30 30D
				SA	Arm Short Axial Mount		90 90D
				CM	Surface Mount		110 110D
				EB	Eye-Bolt		150 150D
				LS2	Slip Fitter Long Axial Mount (450W only)		30X100 30X100D
				SS2	Slip Fitter ShortAxial Mount (450W only)		60X100 60X100D
							60X150 60X150D
							70X130 70X130D
							73X133 73X133D
							75X145 75X145D



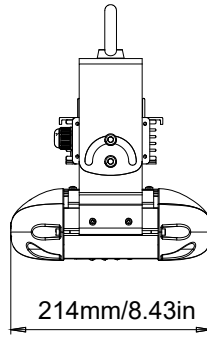
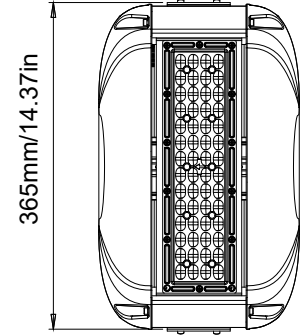
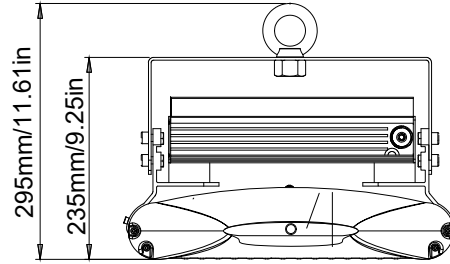
CCT	CRI	Voltage	Dimming	Finish	Accessories
30K	3000K	80 80+	UNV 120-277V	D 0-10V Dimming	SL Silver Finish
35K	3500K	90 90+	HV 277-480V		
40K	4000K				HT 30° to 80°C / -22° to 176°F
50K	5000K				NPT1 1 NPT Pendant
					NPT2 2 NPT Pendant
					AC Aircraft Cable (3m)
					OS Occupancy Sensor
					SPD20 20KV Surge Protection Device (Optional)

Standard

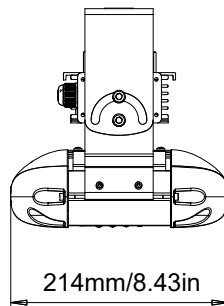
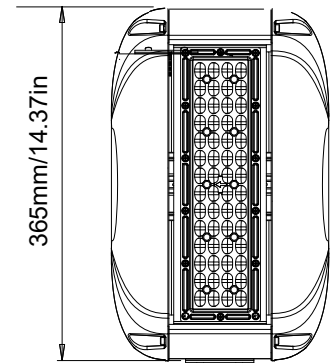
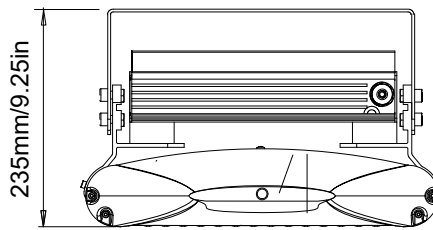
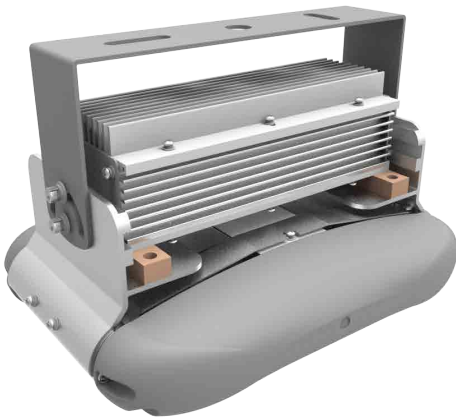


DIMENSIONS
50W

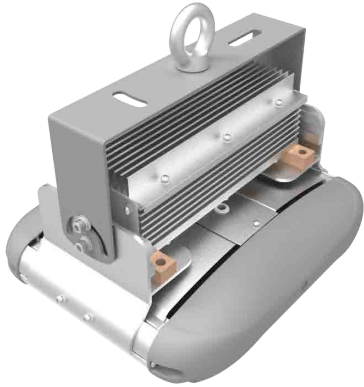
Hook/Chain Mount



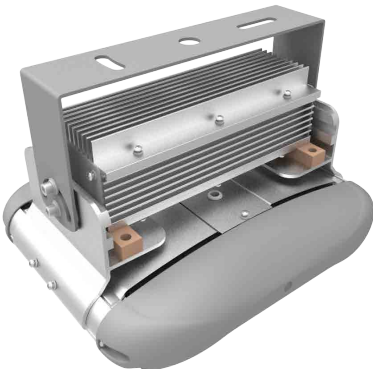
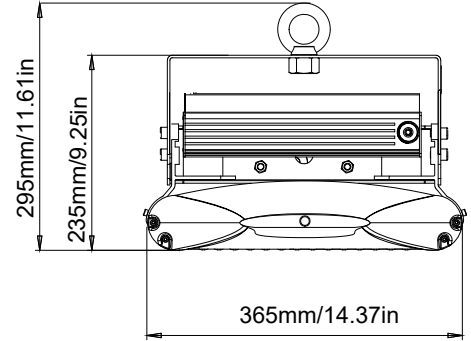
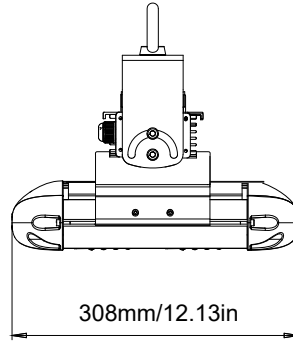
Universal Hanging Bracket



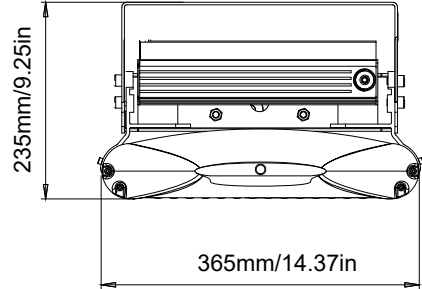
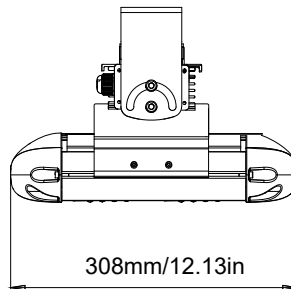
DIMENSIONS
100W



Hook/Chain Mount



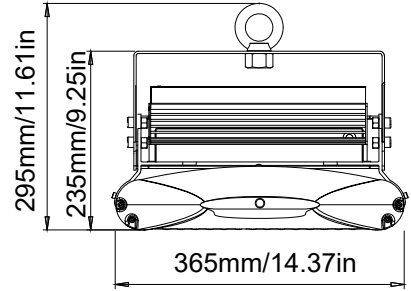
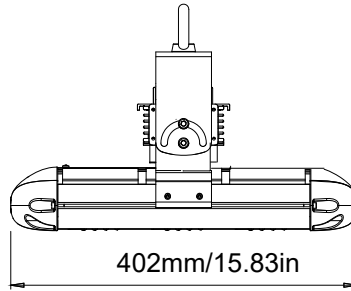
Universal Hanging Bracket



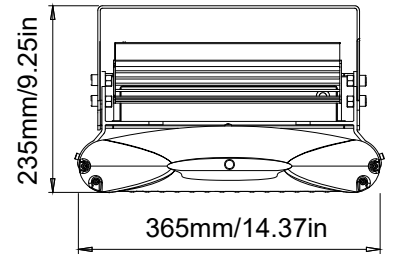
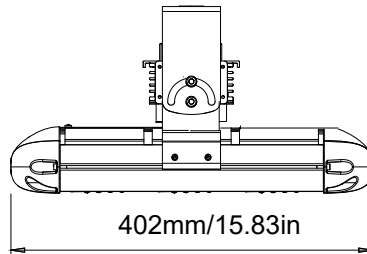
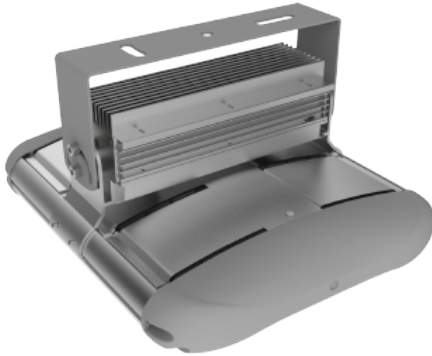
DIMENSIONS

150W

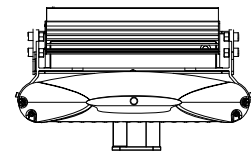
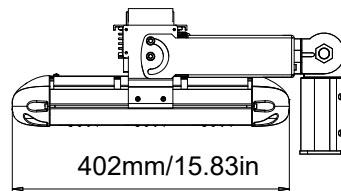
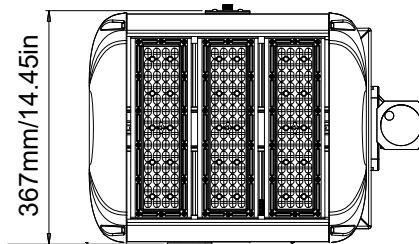
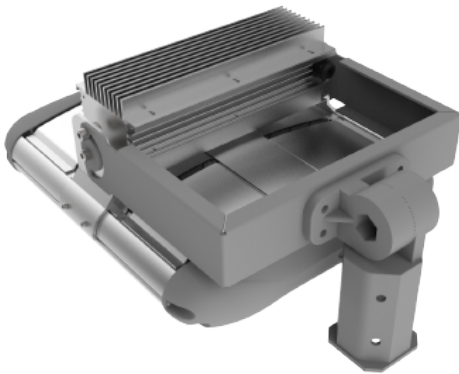
Hook/Chain Mount



Universal Hanging Bracket



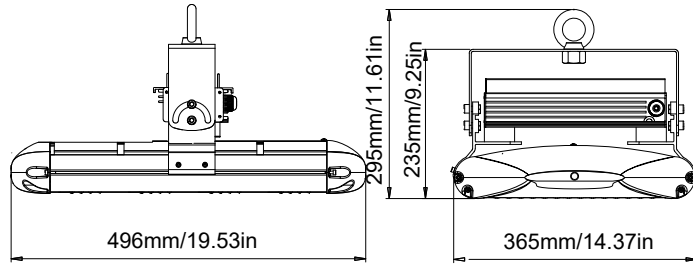
Slip Fitter Mount



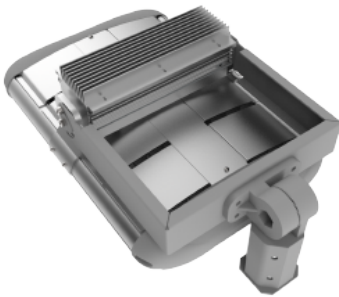
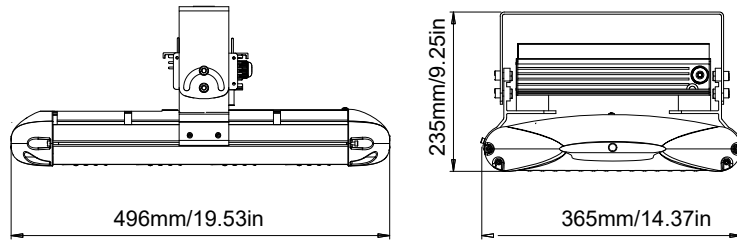
DIMENSIONS
200W



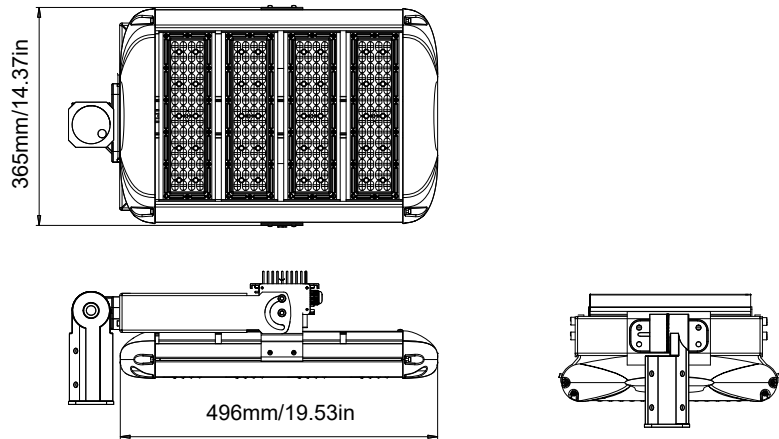
Hook/Chain Mount



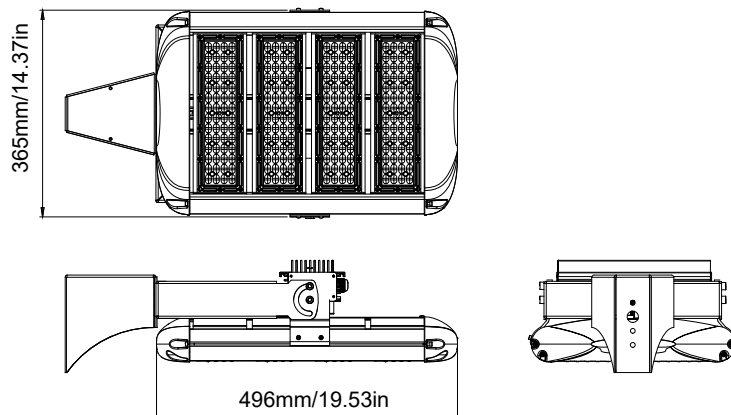
Universal Hanging Bracket



Slip Fitter Mount



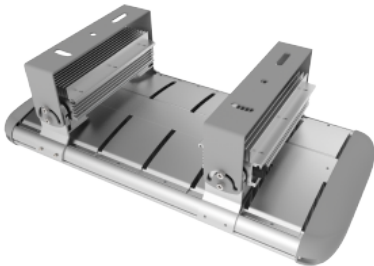
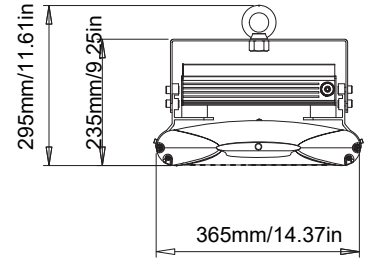
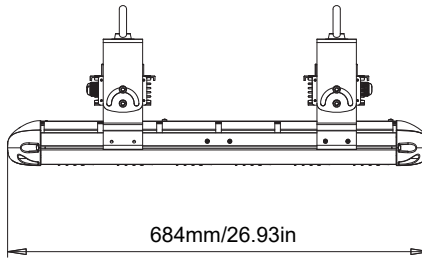
Horizontal Mounting Bracket



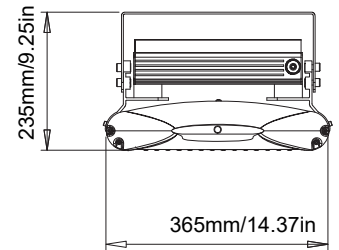
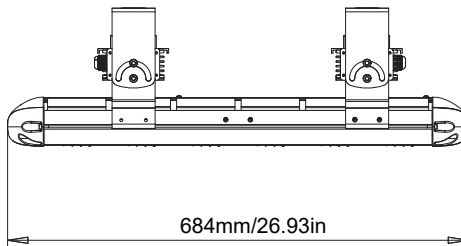
DIMENSIONS
300W



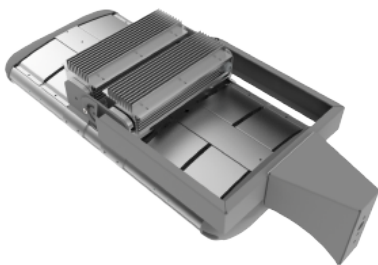
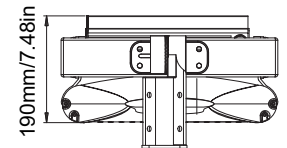
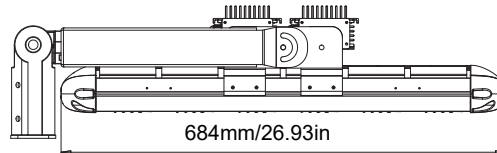
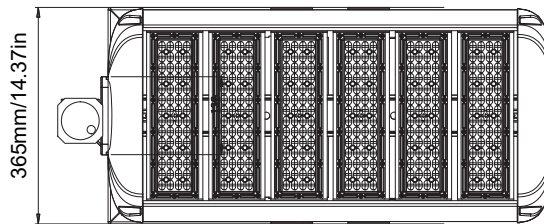
Hook/Chain Mount



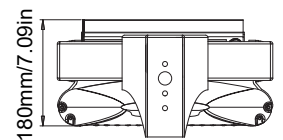
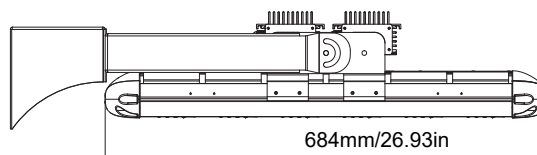
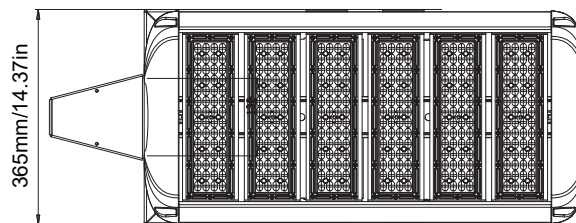
Universal Hanging Bracket



Slip Fitter Mount

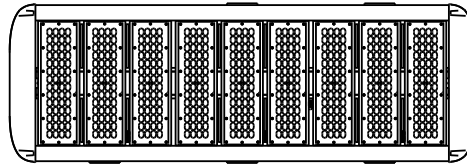
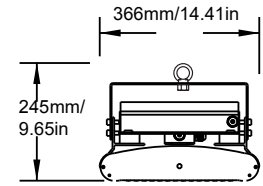
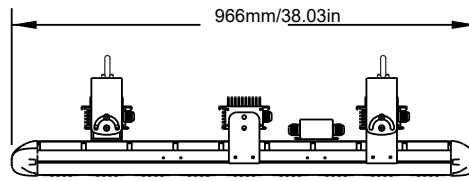
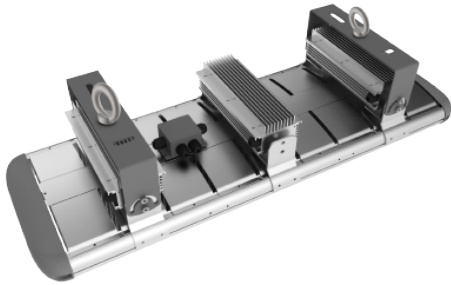


Horizontal Mounting Bracket

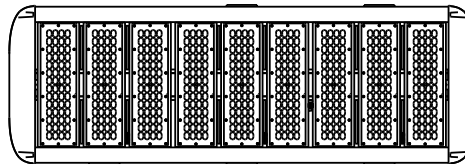
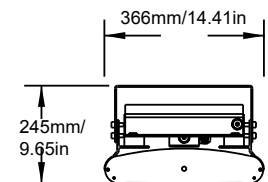
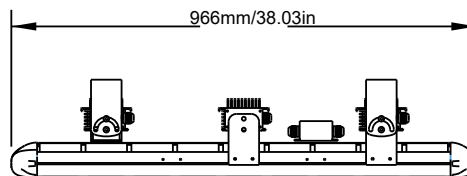
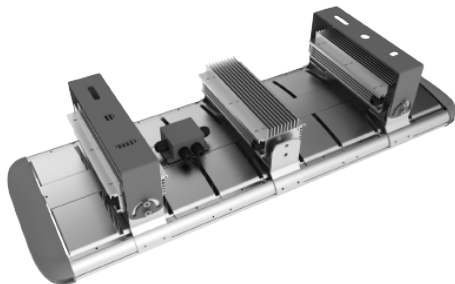


DIMENSIONS
450W

Hook/Chain Mount



Universal Hanging Bracket



MOUNTING OPTIONS

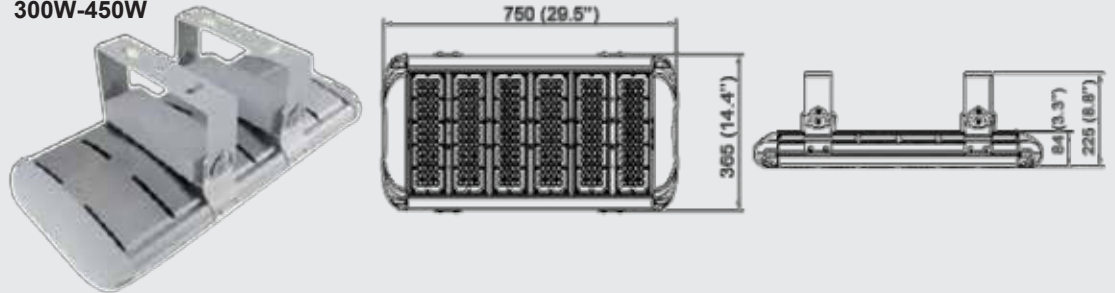


Yoke - Standard
 Single Yoke 100W-200W
 Double Yoke 300W-450W

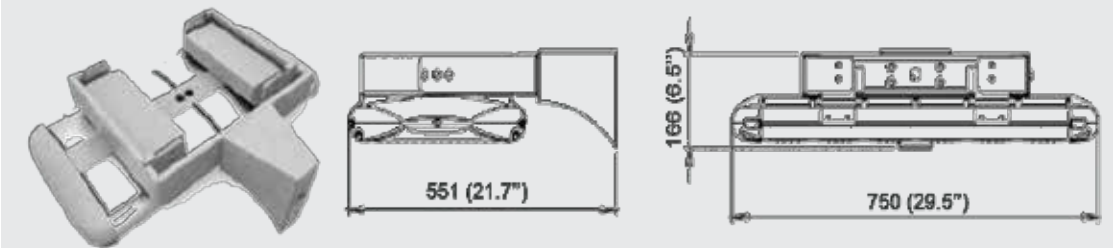
Eye-Bolt



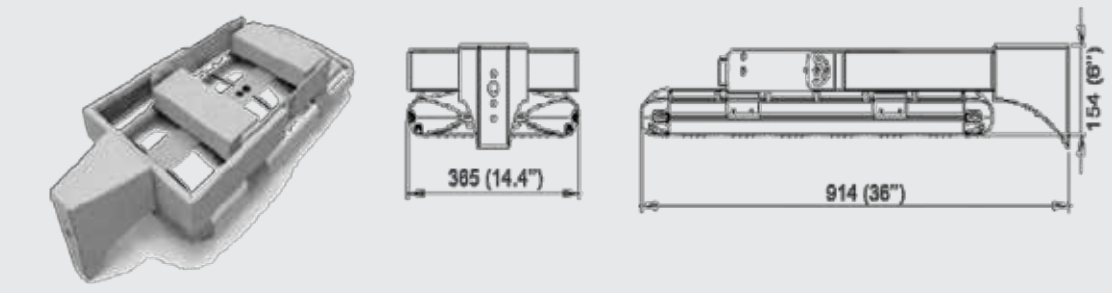
Universal Bracket (Double Yoke) Long Axial Mount - Standard
 300W-450W



Short Arm U Bracket, Short Axial Mount + Horizontal Arm

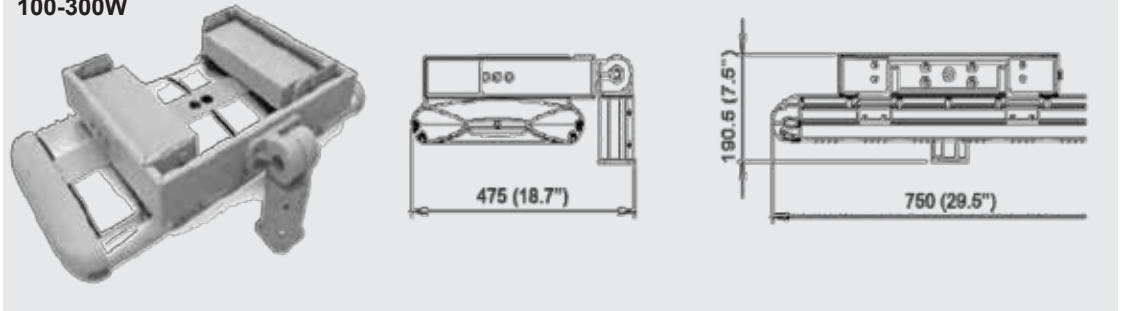


Long Axial Mount + Horizontal Arm

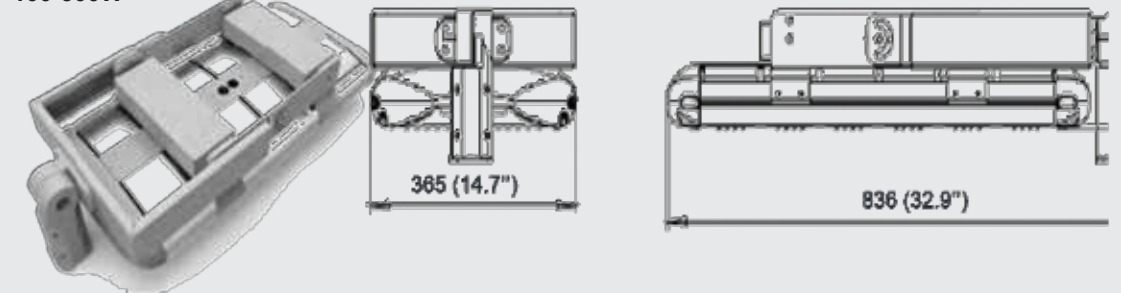


MOUNTING OPTIONS

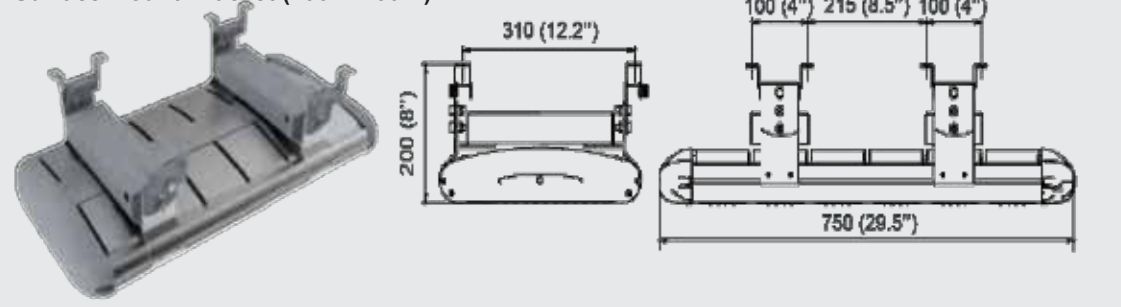
Short Axial Mount + Slip Fitter
100-300W



Long Axial Mount + Slip Fitter
100-300W

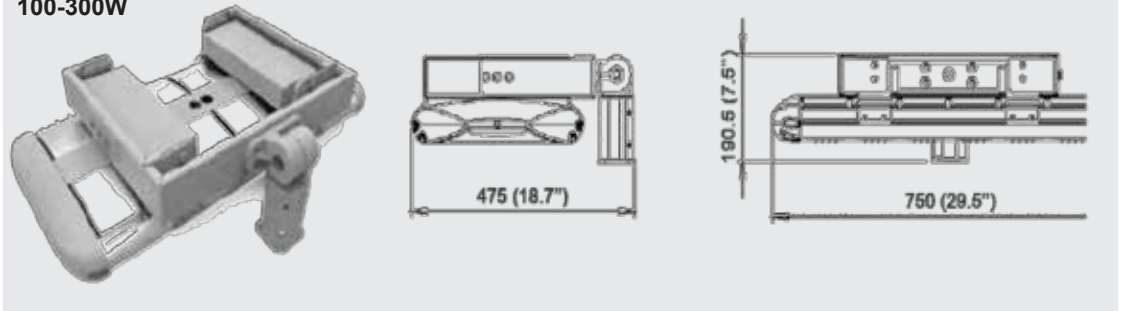


Surface Mount Bracket (100W-450W)

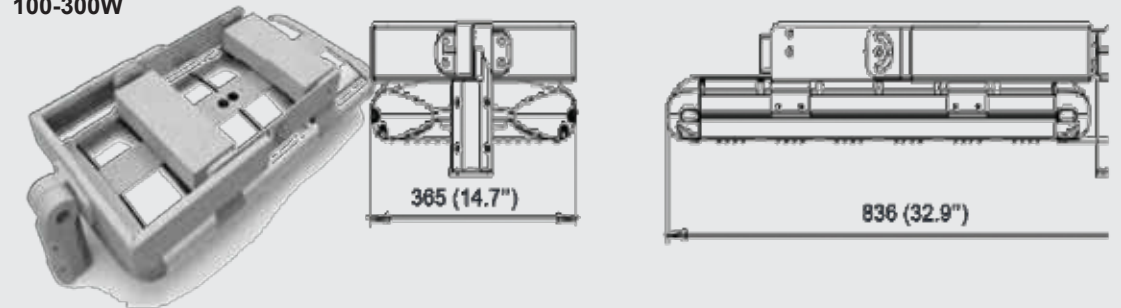


MOUNTING OPTIONS

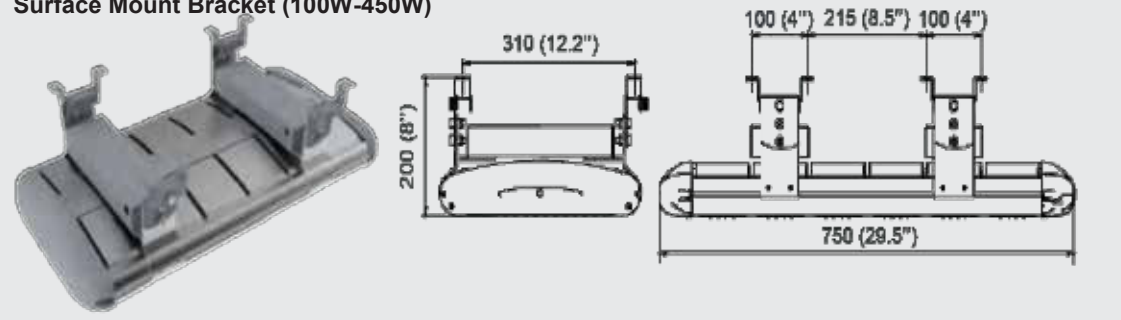
Short Axial Mount + Slip Fitter
100-300W



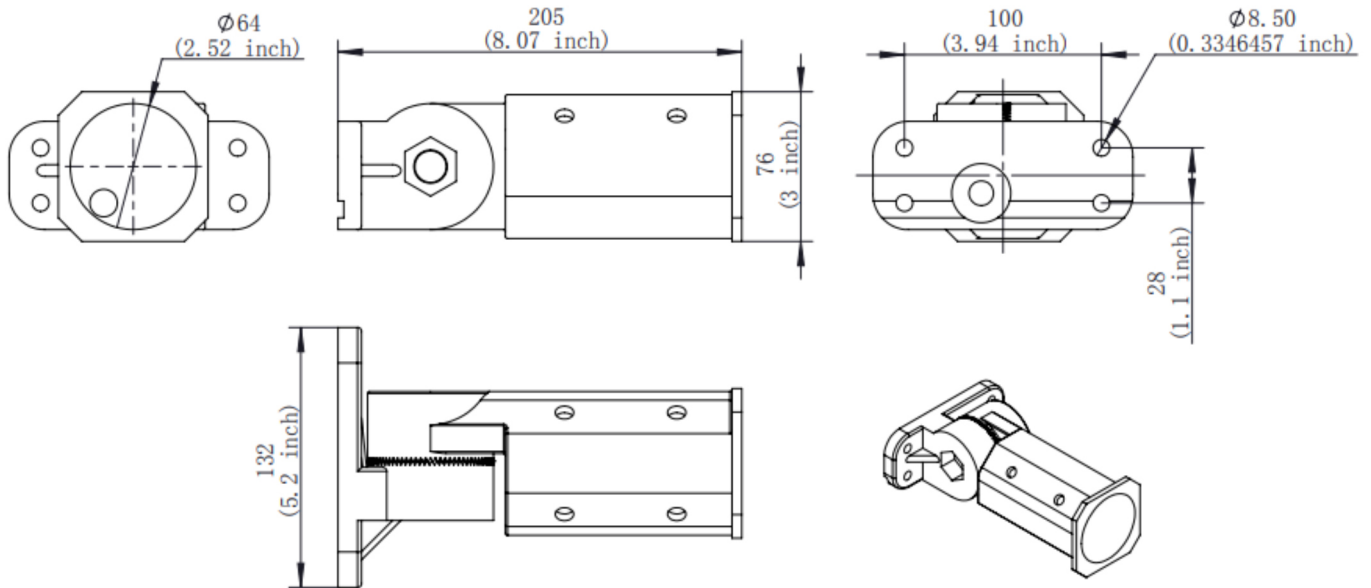
Long Axial Mount + Slip Fitter
100-300W



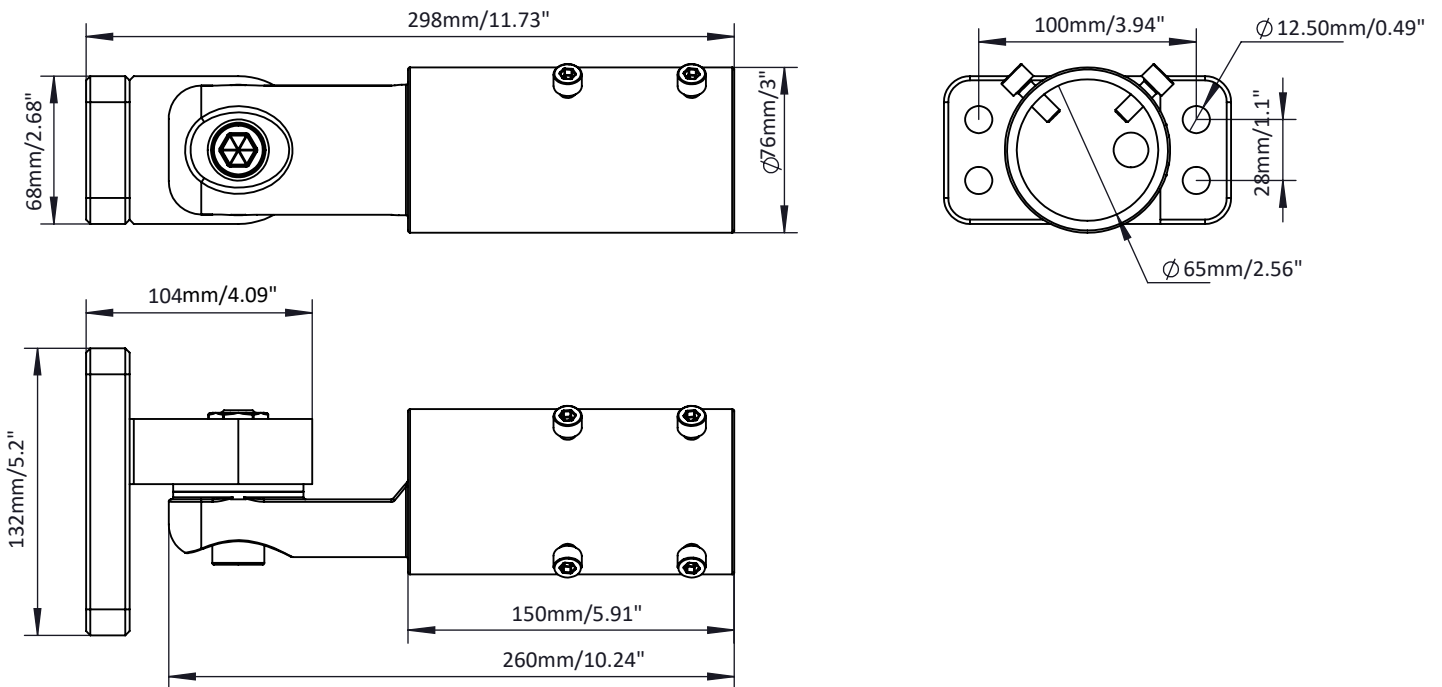
Surface Mount Bracket (100W-450W)



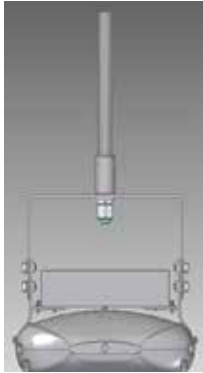
SLIP FITTER DIMENSIONS 100-300W



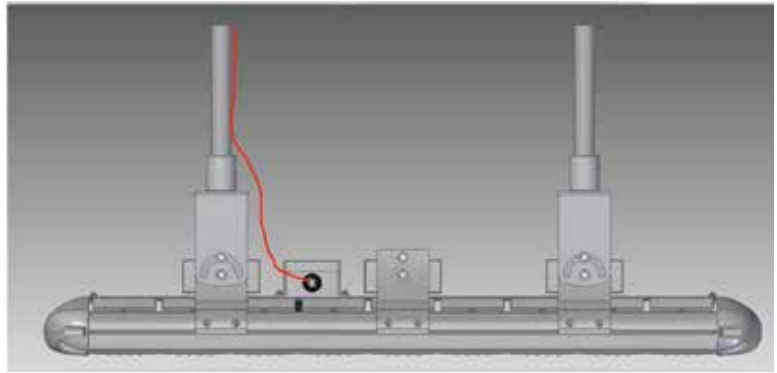
450W



ACCESSORIES



1 NPT Pendant



2 NPT Pendant