

SUPERIOR GEN 3 SERIES

WATTAGE SELECTABLE
AND CCT SELECTABLE
(100W/200W)

WATTAGE SELECTABLE
(240W)



Description

The **Superior Area Light Gen 3 (SAL3)** is a sleek and modern high-performance, low profile LED area light. The product range has been upgraded to reach higher efficiency up to 150lm/W. It has been designed to handle any environment. It has a beautiful slim line design along with one of the highest lumen packages on the market today. This versatile fixture can be used as a flood light or an area light. It includes a multitude of mounting options, surge protection devices, photocell and occupancy sensor capabilities, and the most technologically advanced LED's on the market. The SAL 3 is ready to dominate the lighting area landscape. 0-10V dimming standard.

Features

The uniform PC lens is easy to maintain and replace. The integrated cooling fins provides excellent thermal dissipation. This superior design allows the fixture to have extremely long life hours. SAL 3 is IP66 rated, operates at -40 to 55 degrees Celsius (-40 to 131 degrees Fahrenheit).

Electrical Specifications

LED Type: Philips Lumileds 3030

Available Wattages:

100W Selectable: 50/75/100W

200W Selectable: 100/150/200W

240W Selectable: 150/200/240W

CCT Selectable: 3000K/4000K/5000K

Available Voltages: 100-347Vac

Lumen Maintenance @L70: >100,000 hours

CRI: >70

THD: <15 %; Power Factor: >0.95

Surge Protection: 6kVA

Ambient Temperature: -40 to 55° C / -40 to 131°F

IP Rating: IP66/Wet Location

Standard finish: RAL8019 Dark Bronze

The length of the standard cord is 1m/3ft.

A Zhaga socket for either photocell or Occupancy sensor is included.

Certifications and Warranty

ETL, cETL, DLC with 6 year warranty

BUG RATING

Model No.	Bug Rating
AL-SAL3-50W-T3	
AL-SAL3-75W-T3	
AL-SAL3-100W-T3	B3-U3-G2
AL-SAL3-50W-T4	
AL-SAL3-75W-T4	
AL-SAL3-100W-T4	
AL-SAL3-50W-T5	
AL-SAL3-75W-T5	
AL-SAL3-100W-T5	
AL-SAL3-100W-T3	B3-U3-G2
AL-SAL3-150W-T3	
AL-SAL3-200W-T3	
AL-SAL3-100W-T4	
AL-SAL3-150W-T4	
AL-SAL3-200W-T4	
AL-SAL3-100W-T5	
AL-SAL3-150W-T5	
AL-SAL3-200W-T5	

SUPERIOR GEN 3

100WS (WATTAGE SELECTABLE)



Product Information

100W (Selectable)

Installation:	Arm, Slip Fitter, Trunnion
Material:	Die-cast Aluminum
Finish:	Powder coat / RAL8019 (Dark Bronze)
System power (W):	50W/75W/100W
Fixture lumen output (lm):	7500/11250/15000
System efficiency (lm/W):	150lm/W
LED driver:	Sosen
LED engine:	Philips Lumileds 3030

Packaging

Net weight lamp (kg/lb):	4.40 / 9.70
Gross weight carton (kg/lb):	13.9 / 30.64
Master carton dimensions (mm/in):	365x350x450 / 14.37x13.78x1.72
Quantity per carton:	3

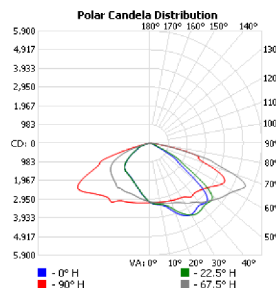
Code composition

Series	Model	Mounting	Wattage-Lumens	Optics
AL Area Light	SAL3 Superior Gen 3	AR Arm	100WS-150L 100W-15000lm	T3 TYPE III (Standard)
		SF Slip Fitter		T4 TYPE IV
		TRN Trunnion		T5 TYPE V
		WAR Wall Mount Arm		

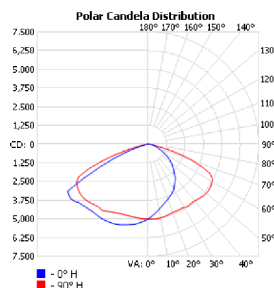
CCT	CRI	Voltage	Dimming	Fixture Finish	Accessories	
CCTS	3000K/ 4000K/ 5000K Selectable	70 70+	CUNV 100-347V	D 0-10V Dimming	DB Dark Bronze (Standard) WH White BK Black	NA No Accessories PC Photocell ON/OFF (Zhaga Base) SPD20 20KV SPD OS Microwave Occupancy Sensor RC100 Remote Control

Standard

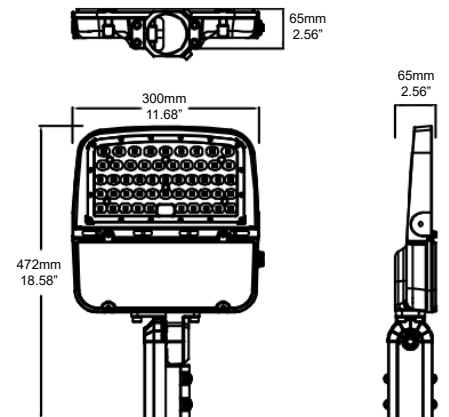
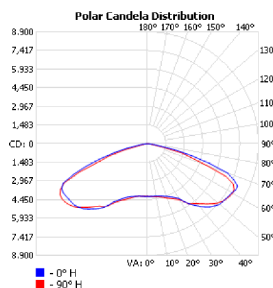
100W-T3-5000K-CRI70



75W-T4-5000K-CRI70



50W-T5-5000K-CRI70



SUPERIOR GEN 3

200WS (WATTAGE SELECTABLE)



Product Information

200WS (Selectable)

Installation:	Arm, Slip Fitter, Trunnion
Material:	Die-cast Aluminum
Finish:	Powder coat / RAL8019 (Dark Bronze)
System power (W):	100W/150W/200W
Fixture lumen output (lm):	15000/22500/30000
System efficiency (lm/W):	150lm/W
LED driver:	Sosen
LED engine:	Philips Lumileds 3030

Packaging

Net weight lamp (kg/lb):	5.43 / 11.97
Gross weight carton (kg/lb):	17.30 / 38.14
Master carton dimensions (mm/in):	595x460x450 / 23.43x18.11x17.72
Quantity per carton:	3

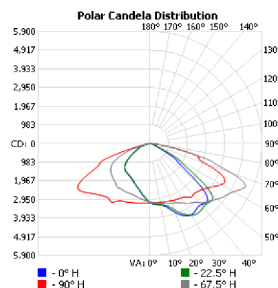
Code composition

Series	Model	Mounting	Wattage-Lumens	Optics
AL Area Light	SAL3 Superior Gen 3	AR Arm	200WS-300L 200W-30000lm	T3 TYPE III (Standard)
		SF Slip Fitter		T4 TYPE IV
		TRN Trunnion		T5 TYPE V
		WAR Wall Mount Arm		

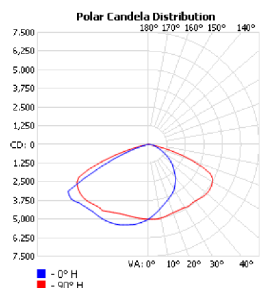
CCT	CRI	Voltage	Dimming	Fixture Finish	Accessories	
CCTS	3000K/ 4000K/ 5000K/ Selectable	70 70+	CUNV 100-347V	D 0-10V Dimming	DB Dark Bronze (Standard) WH White BK Black	NA No Accessories PC Photocell ON/OFF (Zhaga Base) SPD20 20KV SPD OS Microwave Occupancy Sensor RC100 Remote Control

Standard

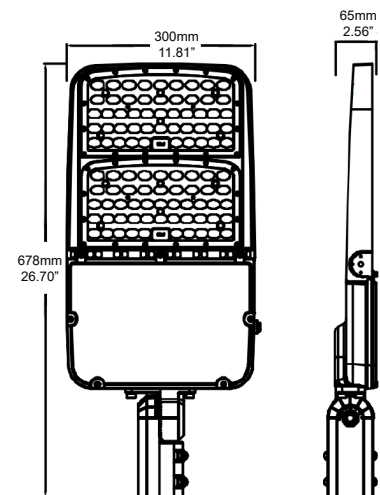
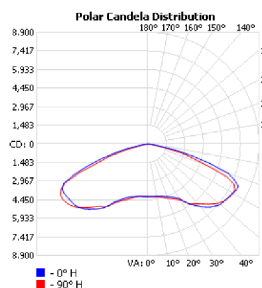
100W-T3-5000K-CRI70



150W-T4-5000K-CRI70



200W-T5-5000K-CRI70



SUPERIOR GEN 3

240WS (WATTAGE SELECTABLE)



Product Information

240WS (Selectable)

Installation:	Arm, Slip Fitter, Trunnion
Material:	Die-cast Aluminum
Finish:	Powder coat / RAL8019 (Dark Bronze)
System power (W):	150W/200W/240W
Fixture lumen output (lm):	22500/30000/36000
System efficiency (lm/W):	150lm/W
LED driver:	Sosen
LED engine	Philips Lumileds 3030

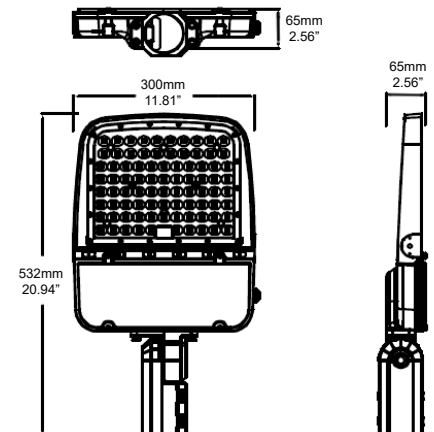
Packaging

Net weight lamp (kg/lb):	5 / 11.02
Gross weight carton (kg/lb):	15.9 / 35.05
Master carton dimensions (mm/in):	430x350x500 / 16.93x13.78x19.69
Quantity per carton:	3

Code composition

Series	Model	Mounting	Wattage-Lumens	Optics
AL Area Light	SAL3 Superior Gen 3	AR Arm	240WS-360L 240W-36000lm	T3 TYPE III (Standard)
		SF Slip Fitter		T4 TYPE IV
		TRN Trunnion		T5 TYPE V
		WAR Wall Mount Arm		

CCT	CRI	Voltage	Dimming	Fixture Finish	Accessories
30K 3000K	70 70+	CUNV 100-347V	D 0-10V Dimming	DB Dark Bronze (Standard)	NA No Accessories
40K 4000K				WH White	PC Photocell ON/OFF (Zhaga Base)
50K 5000K				BK Black	SPD20 20KV SPD
					OS Microwave Occupancy Sensor
					RC100 Remote Control



SUPERIOR GEN 3 AREA LIGHT

Wattage and CCT Selectable

High efficacy 150lm/w
T3, T4, T5 distribution optional



Visor Design For Superior BUG Rating

SOSEN Brand Driver
SCP/OVP/OTP protection driver
100-347Vac
6KV Surge Protection

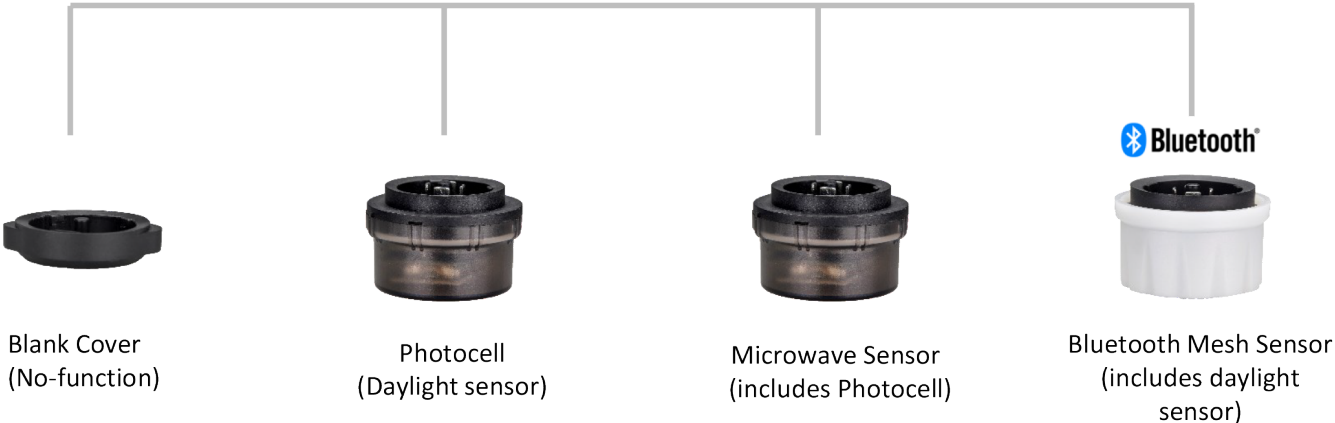
FUNCTION OPTIONS

ZHAGA Socket (DC12V) for both Photocell and Occupany Sensor

ZHAGA socket Pre-installed



Plug & Play different sensors for different functions



MOUNTING OPTIONS AND INSTALLATION



Arm

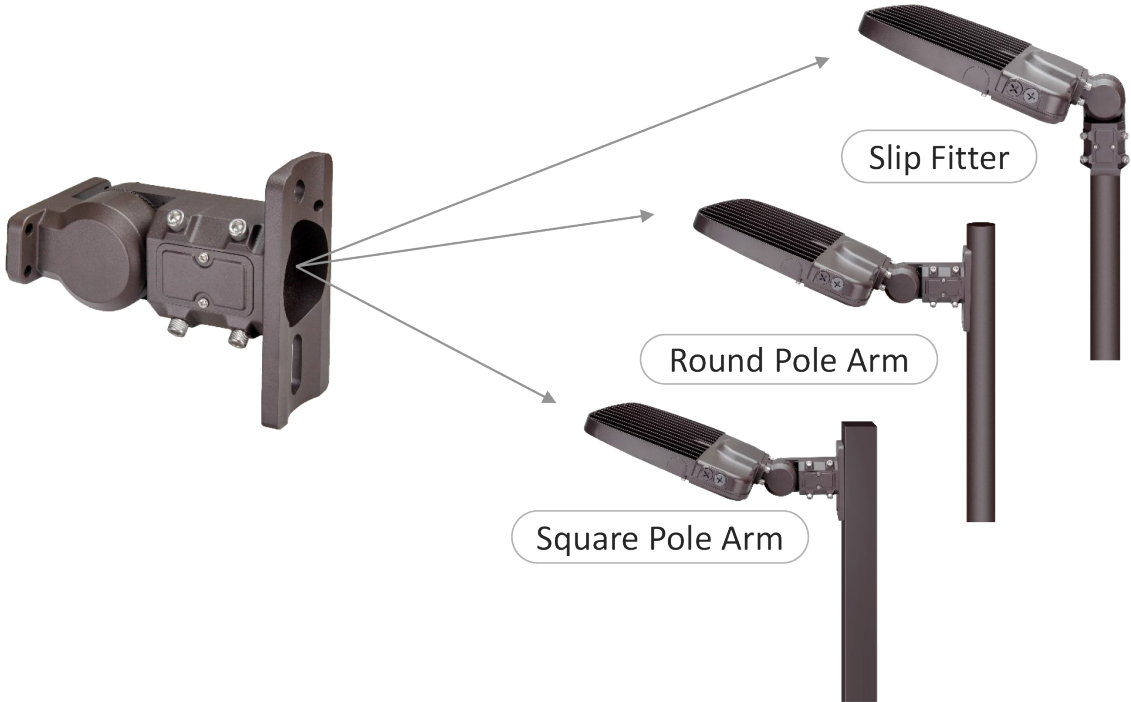


Slip Fitter



Trunnion

ARM



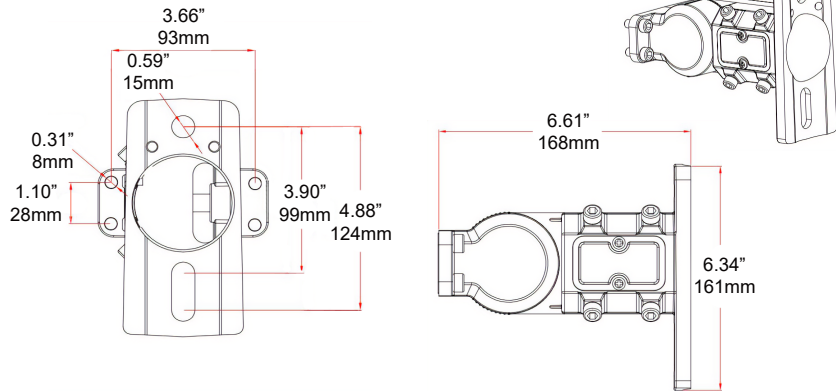
Slip Fitter

Round Pole Arm

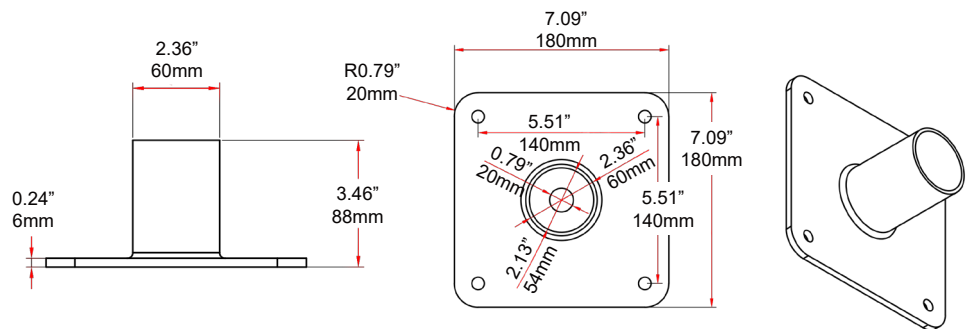
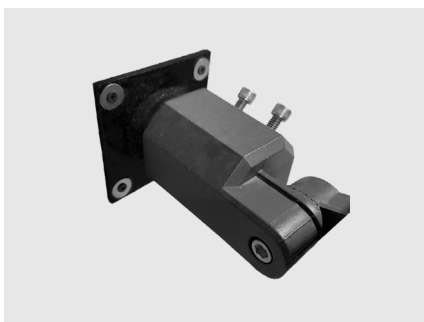
Square Pole Arm

DIMENSIONS

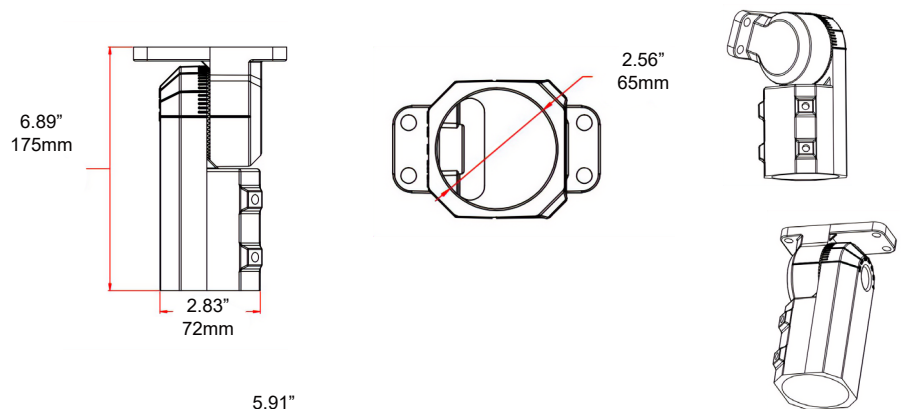
Arm



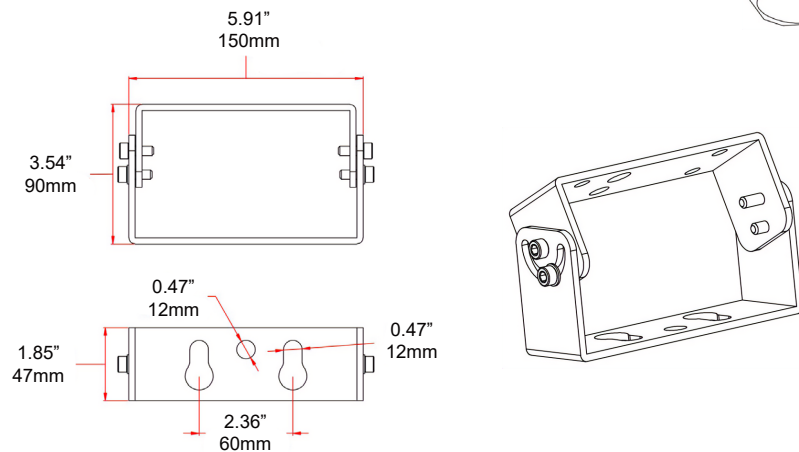
Wall Mount Arm



Slip Fitter



Trunnion



EPA

Effective Projected Area (EPA = SCx)

Unit: m²

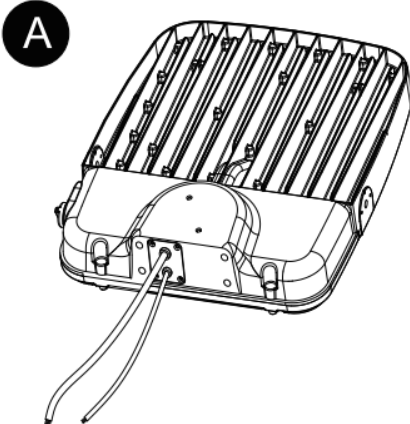
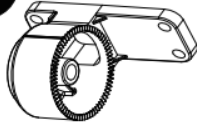





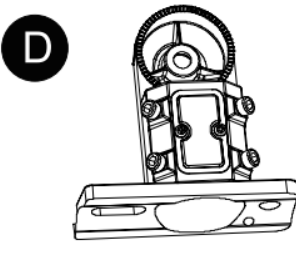
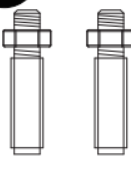
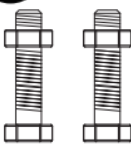


Tilt Angle	0°	10°	20°	30°	40°	50°	60°	70°	80°	90°
Model										
100W	0.019	0.025	0.039	0.052	0.064	0.073	0.081	0.086	0.089	0.091
200W	0.019	0.028	0.045	0.061	0.075	0.087	0.096	0.103	0.106	0.108

INSTALLATION

Multiple Mounting Bracket (Use as Slip Fitter / Arm / Trunnion Mount)

PACKAGE DESCRIPTION

			
	Bracket Connector	1/2-13*1*3/4"	1/2-13*2"
			
	5/16-18*1"	Spring washer	Flat gasket
			
Slipfitter	Arm mount	Trunnion	M8*60 Expansion screw
			3/8-16x2

PACKAGE CONTENTS

This D bracket is versatile, it can be used as a slipfitter bracket, arm bracket and trunnion bracket at the same time.

3 installation methods corresponding to the 3 types of accessories list.

Please select the corresponding accessory parts according to the installation method you need.

PARTS	ARM MOUNT BRACKET	QUANTITY
A	LED Light Fixture	1PC
B	Bracket Connector	1PC
D	Arm mount bracket	1PC
C	Screw (1/2-13*1*3/4")	1PC
C1	Screw and nuts (1/2-13*2")	2PC
C2	Screw (5/16-18*1")	4PC
H	Spring washer(5/16)	4PC
I	Flat gasket(5/16)	4PC

PARTS	SLIPFITTER BRACKET	QUANTITY
A	LED Light Fixture	1PC
B	Bracket Connector	1PC
D	Slipfitter Bracket	1PC
C	Screw (1/2-13*1*3/4")	1PC
C2	Screw (5/16-18*1")	8PC
H	Spring washer(5/16)	4PC
I	Flat gasket(5/16)	4PC

PARTS	TRUNNION BRACKET	QUANTITY
A	LED Light Fixture	1PC
D	Trunnion Bracket	1PC
C2	Screw (5/16-18*1")	4PC
H	Spring washer(5/16)	4PC
I	Flat gasket(5/16)	4PC
E	M8*60 Expansion screw	2PC
F	Screw and nuts(3/8-16) *2	2PC

Slipfitter mount :

1. Put wire of the fixture **A** through bracket **B** install spring washer **H** & flat gasket **I** on screws and then (Fig.1)

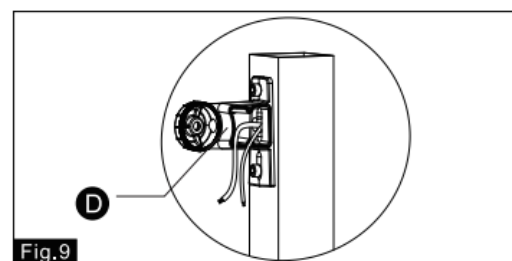
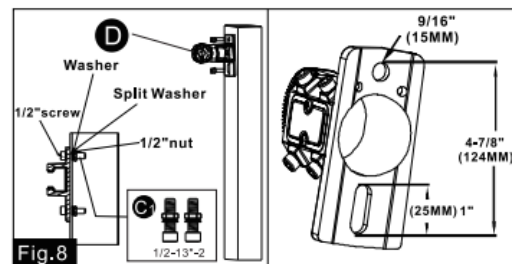
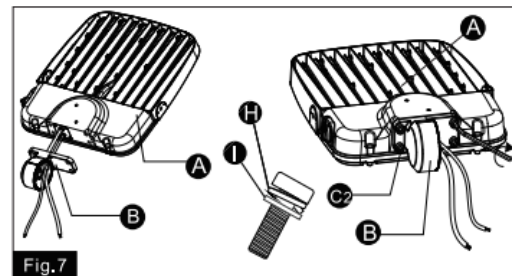
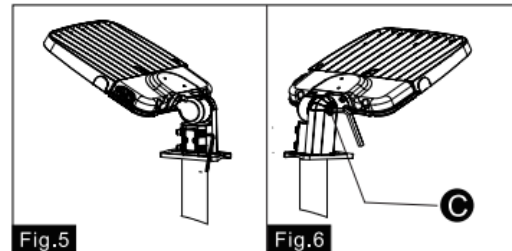
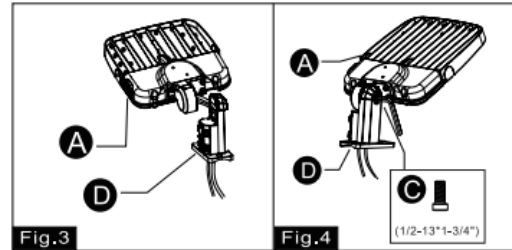
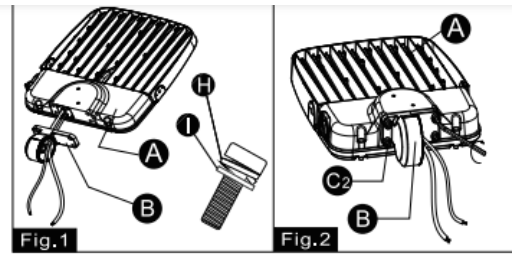
2. Fix the bracket connector **B** on the fixture **A** with four screws **C₂** (Fig.2).

3. Put wire of the fixture **A** through bracket **D** (Fig.3).

4. Assemble the bracket **D** to the fixture **A** with screw **C** (Fig.4).

5. Mount the fixture on the pole. Tighten the four fixing screws (Fig.5). The maximum pole diameter should be 2.38 inches.

6. Loosen screw **C** and adjust the fixture to a desired illumination angle, then tighten screw **C** (Fig.6).



Arm mount :

7. Put wire of the fixture **A** through bracket **B** install spring washer **H** & flat gasket **I** on screws and then Fix the bracket connector **B** on the fixture **A** with four screws **C₂** (Fig.7).

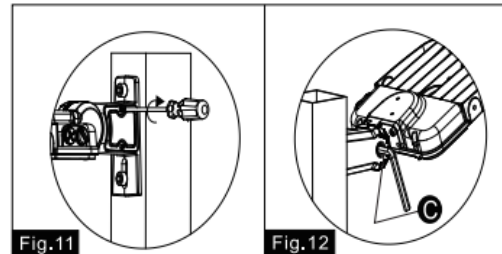
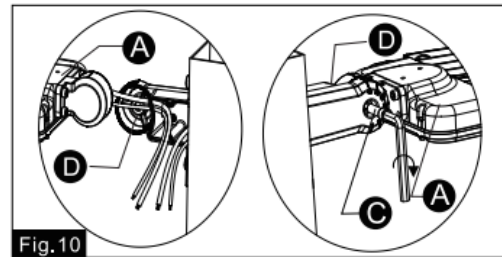
2. Align arm bracket **D** holes with pole holes drilled on square or round pole, and fix arm bracket **D** on the pole with screw and nuts **C** (Fig.8).

3. Pull out the pole wire through the bracket **D** (Fig.9).

4. Put wire of the fixture **A** through the Arm bracket **D**, and assemble bracket **D** to the fixture **A** with screw **C** (Fig.10).

5. Fix the bracket cover by screw (Fig.11).

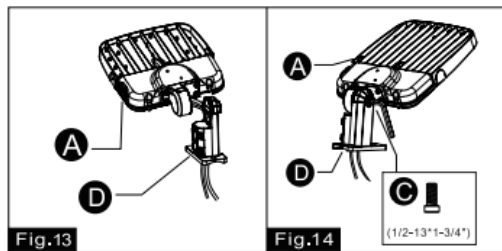
6. Loosen screw **C** and adjust the fixture to a desired illumination angle, then tighten screw **C** (Fig.12).



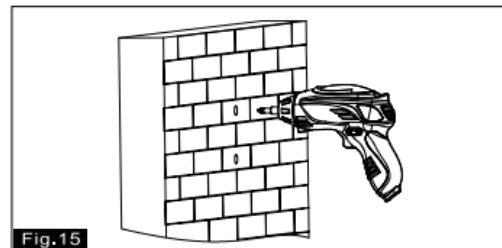
Trunnion mount:

1. Put wire of the fixture **A** through bracket **D** (Fig.13).

Assemble the bracket **D** to the fixture **A** with screw **C** (Fig.14).

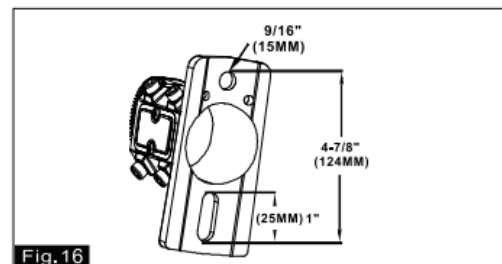


2. Use a hand drill to punch holes in the wall (Fig.15). the size of the holes refer to (Fig.16).

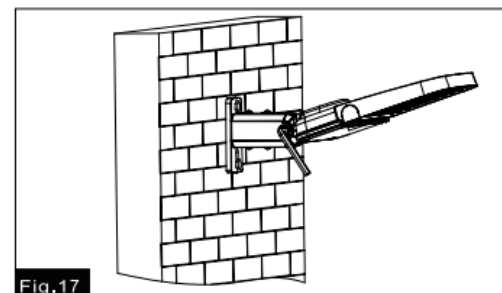


3. Mount fixture to surface according to the hole pattern (Fig.16).

Note: Hardware recommended: 1/2" diameter bolt x 1-1/2" long. (Supplied by others).



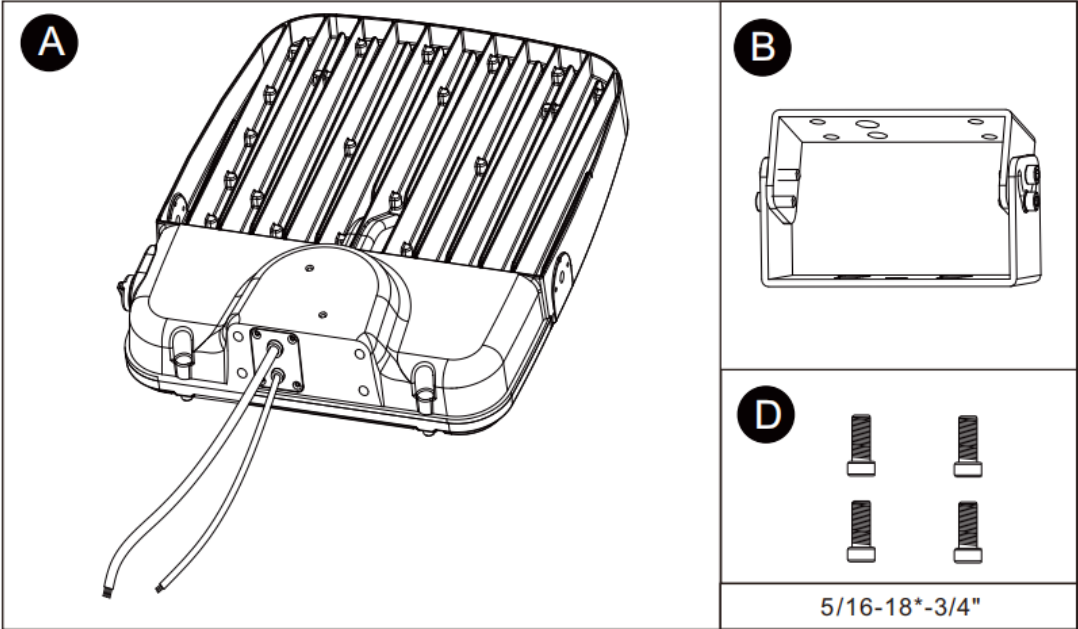
4. Fix and tighten the expansion screws **E** in the wall. The lamp through the screw and Torque screw. Through the side screws to adjust the angle. Then installation is finished. (Fig.17).



INSTALLATION

Trunnion Mounting

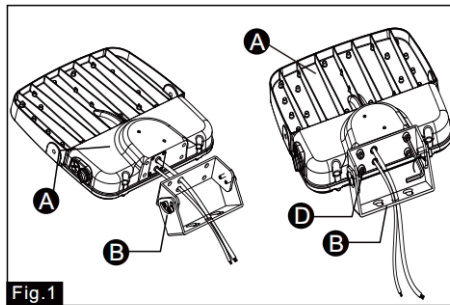
PACKAGE CONTENTS



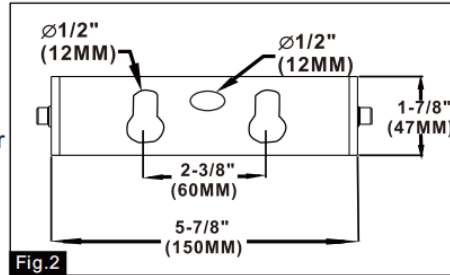
PART	DESCRIPTION	QUANTITY
A	LED Area Fixture	1PC
B	Trunnion bracket	1PC
D	Screw (5/16-18*-3/4")	4PCS

INSTALLATION INSTRUCTIONS

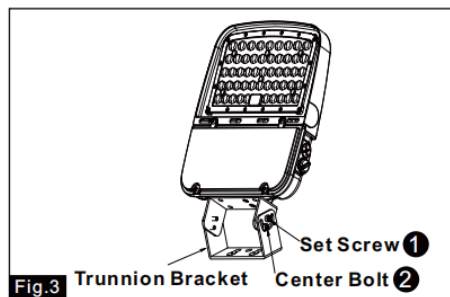
1. Put wire of the fixture **A** through bracket **B** and assemble the bracket **B** to fixture **A** with four screws **D** (Fig. 1).



2. Mount fixture to surface according to the hole pattern (Fig. 2).
 Note: Hardware recommended: 1/2" diameter bolt x 1-1/2" long. (Supplied by others)

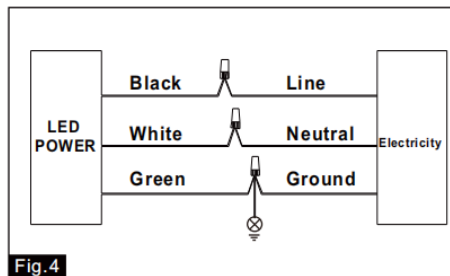


3. Loosen but do not remove center bolt **2** and set screw **1** (Fig. 3).
 a. Rotate fixture to desired position and tighten center bolt **2**.
 b. Tighten set screw **1**.



4. AC Input Wiring (Fig. 4).

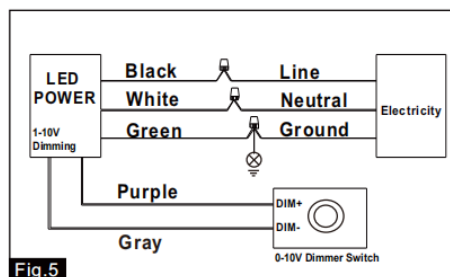
Connect fixture to supply wires:
 a. Connect supply line wire to fixture black lead.
 b. Connect supply neutral wire to fixture white lead.
 c. Connect supply ground wire to fixture green lead.



5. 1-10V Dimming Wiring (Fig. 5).

(If dimming, use with 0-10V dimmer switch; if not, disregard this step.)

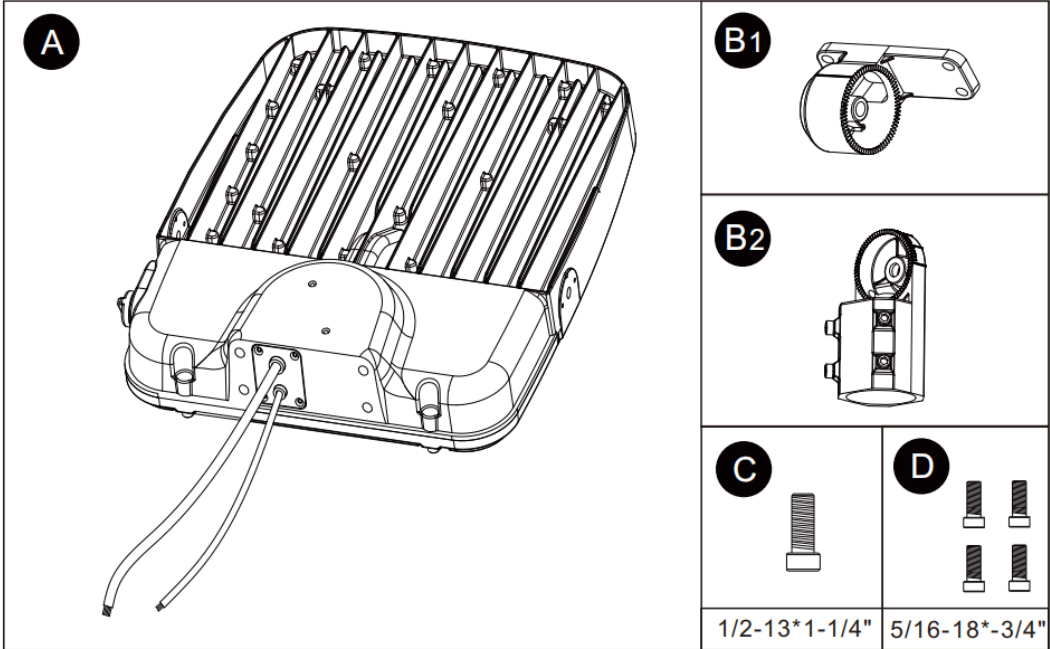
a. Connect dim+ to fixture (purple) lead.
 b. Connect dim- to fixture (gray) lead.
 Dimming range for this fixture is 0-100%.



INSTALLATION

Slip Fitter Mounting

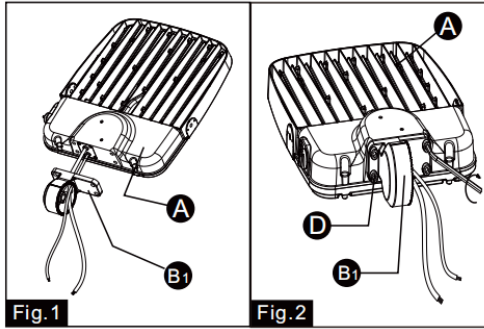
PACKAGE CONTENTS



PART	DESCRIPTION	QUANTITY
A	LED Area Fixture	1PC
B1	Slipfitter bracket	1PC
B2	Slipfitter bracket	1PC
C	Screw (1/2-13*1-1/4")	1PC
D	Screw (5/16-18*-3/4")	4PCS

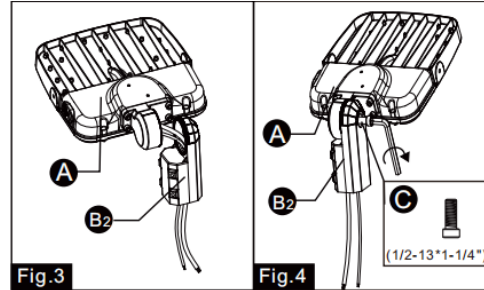
INSTALLATION INSTRUCTIONS

1. Put wire of the fixture **A** through bracket **B₁** (Fig.1).



2. Fix the bracket **B₁** on the fixture **A** with four screws **D** (Fig.2).

3. Put wire of the fixture **A** through bracket **B₂** (Fig.3).

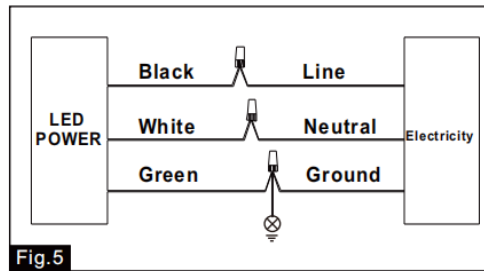


4. Assemble the bracket **B₂** to the fixture **A** with screw **C** (Fig.4).

5. AC Input Wiring (Fig.5).

Connect fixture to supply wires:

- Connect supply line wire to fixture black lead.
- Connect supply neutral wire to fixture white lead.
- Connect supply ground wire to fixture green lead.

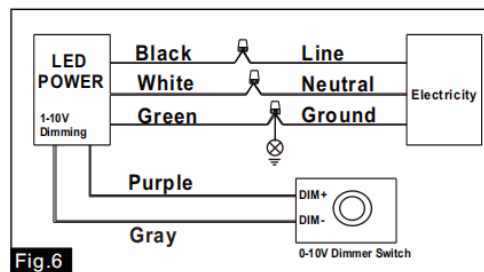


6. 1-10V Dimming Wiring (Fig.6).

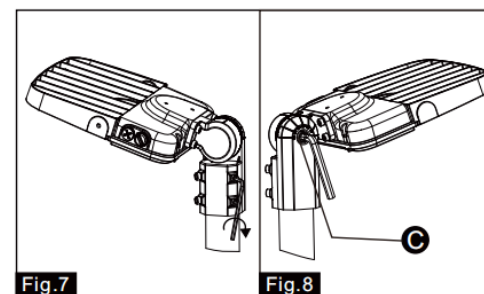
(If dimming, use with 0-10V dimmer switch; if not, disregard this step.)

- Connect dim+ to fixture (purple) lead.
- Connect dim- to fixture (gray) lead.

Dimming range for this fixture is 0-100%.



7. Mount the fixture on the pole. Tighten the four fixing screws (Fig.7). The maximum pole diameter should be 2.38 inches.



8. Loosen screw **C** and adjust the fixture to a desired illumination angle, then tighten screw **C** (Fig.8).

REMOTE CONTROL

RC-100 Sensor Remote Programmer OPERATION INSTRUCTIONS

SPECIFICATIONS

Power supply	2 x AAA 1.5V battery, Alkaline preferred
Carrying case	RC-100 in carrying case
Upload range	Up to 15 m (50 ft.)
Op. temperature	0°C~50°C (32°F~122°F)
Dimensions	123 x 70 x 20.3 mm (4.84" x 2.76" x 0.8")



WARNING

Remove the batteries from compartment if the remote will not be used in 30 days.

OVERVIEW

The remote control Wireless IR Configuration Tool is a handheld tool for remote configuration of IR-enabled fixture integrated sensors. The tool enables device to modify via pushbutton without ladders or tools, and stores up to four sensor parameter modes to speed configuration of multiple sensors. The remote control send sensor setting at mounting height up to 50 feet. The device can display previously established sensor parameters, copy parameters and send new parameters or store parameter profiles. For projects where identical settings may be desired across a large number of areas or spaces, this capability provides a streamlined method of configuration. Settings can be copied throughout a site, or in different sites.

LED INDICATORS

LED	DESCRIPTION	LED	DESCRIPTION
BRIGHTNESS	High end trim turning function(To Set the output level of connected lighting during occupancy)		To select the current surrounding lux value as the daylight threshold. This feature enables the fixture to function well in any real application circumstances.
SENSITIVITY	To set the occupancy sensing sensitivity of the Sensor		The daylight sensor stops working, and all motion detected could turn on the lighting fixture, no matter how bright the natural light is.
HOLD TIME	The time that the Sensor will turn off(if you choose stand-by level is 0) or dim the light to a low level after the area is vacated	STAND-BY DIM	To set the output level of connected lighting during vacancy. The sensor will regulate the lighting output at the set level. Setting the STAND-BY DIM level at 0 means light full off duringvacancy.
DAYLIGHT SENSOR	To represents various thresholds of natural light level for the Sensor .	STAND-BY TIME	To represents the time that the Sensor will keep the light at low dim level after the HOLD TIME elapsed.

BUTTON OPERATION

BUTTON	DESCRIPTION	BUTTON	DESCRIPTION
	Press the button, the light goes to permanent on or permanent off mode, and the sensor is disabled. (MUST press button to quit this mode for Setting.		Press button, the sensor starts to function and all settings remain the same as the latest status before the light is switched on/off.
	Display the current/lastest setting parameters in LED indicators(the LED indicators will on for showing the setting parameters).		The button is for testing purpose sensitivity only, after you choose sensitivity thresholds, then you press button. The sensor goes to test mode(hold time is only 2s) automatically ,meanwhile the stand-by period and daylight sensor are disabled. Press button to quit from this mode.
	Press button, all settings go back to settings of dip Switch in sensor.		Navigate to LEFT and RIGHT for choose selected parameters in LED indicators.
	Enter in the setting condition, the parameter leds of remote control will flash to be selected, and Navigate to UP and Down for choose selected parameters in LED indicators.		Confirm the selected parameters selected parameters in remote control.
	Press button, upload the current parameters to sensor(s), the led light which the sensor connects will on/off as confirm.		Open and close smart daylight Sensor. Press or Enter in the setting condition, the parameter leds of remote control will flash to be selected, Press for open or close smart daylight Sensor.
	4 Scene modes with preset parameters which are available to be changed and saved in modes.		

SETTING

The SETTING Content contains all available settings and parameters for remote sensors. It allows you to change the available control, parameters, and operation of the sensor from factory default or current parameters.

Change multiple settings of sensor(s)

1. Press button, the remote control leds will show the latest parameters you set.
NOTE: if you push button before, you must push button to unlock the sensor.
2. Press or enter in the setting condition, the parameter leds of remote control will flash to be selected, navigate to the desired setting by pressing to select the new parameters.
3. Press ok to confirm all setting and saving.
4. Aim at the target sensor and press to upload the new parameter, the led light which the sensor connects will on/off as confirm.
NOTE: the setting works key step is by Push or , enter in the setting condition.
NOTE: the led light which the sensor connects will on/off after getting the new parameter as confirm.
NOTE: If you press button, the remote led indicators will show the latest parameters which were sent.