

LINEARS

REECO CCT SELECTABLE LINEAR SERIES



Description

The **Reeco** linear **CCT Selectable** LED series offers Premium Light diffusion over a light-weight impact resistant opal polycarbonate lens with different mounting options.

This ultra-efficient versatile LED linear fixture can meet the challenges of restaurant, retail, industrial, warehousing and task lighting applications.

Standard colours are black and white.

Seamless, continuous run connections. All connectors are lit (down only).

It can create a functional yet relaxing atmosphere and provide an even wash of light within a space. Low profile design optimizes shipping, storage, and handling. It comes in two different Luminous ways with Down (100%), and Up/Down (30%/70%).

It is CCT Selectable 3000K 3500K 4000K and 5000K. Reeco is available in various sizes / wattages 2'(20W), 4'(40W), and 8'(80W) with an efficacy of 110 Lumens / watt.

IP20 rated.

CUNV 120-347V

Custom lengths and wattages are available. Please consult factory.

Reeco also offers a specular aluminum reflector as an option.

The standard length of power cord is 0.8m/2.62ft for 2ft fixture, 1.5m/4.9ft for 4ft fixture and 2.5m/8.2ft for 8ft fixture. The standard finish of power cord is White for white fixture and Black for black fixture.

Mounting options

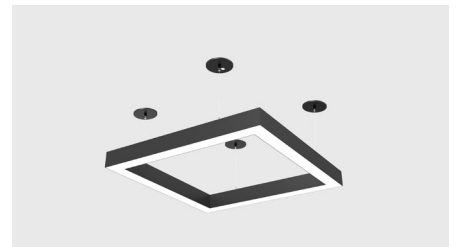
Recessed (trim and trimless), suspended, wall and surface mounting options available. Continuous run connectors are included.

The 5ft canopy kit is included in Suspended Mount. The standard finish of suspension kit is White (WH) for white fixture and Black (BK) for black fixture.

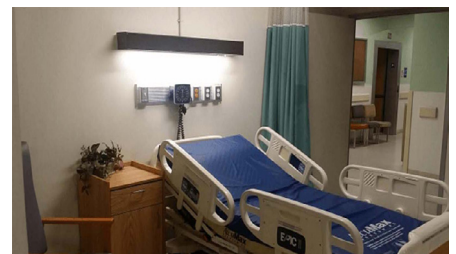
Certifications and Warranty

CE and cUL listed with 5 year warranty

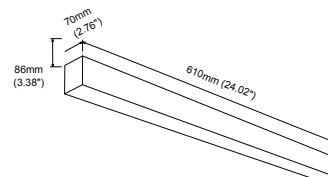
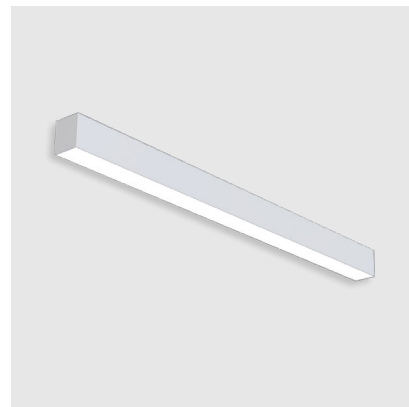
Innovative Applications



Can be used as a bed light



REECO - 2' 20W (CCT SELECTABLE)



Product Information

20W

Installation:	Recessed Trim/Trimless, Suspended, Wall Mount, Surface Mount
Material:	Aluminum
Finish:	High reflectance baked enamel
System power (W):	20
Fixture lumen output (lm):	2200
System efficiency (lm/W):	110
LED Driver:	Integrated

Packaging

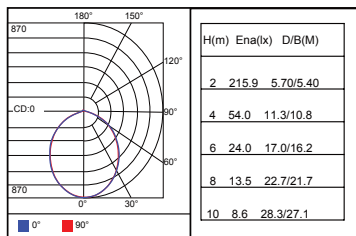
New weight lamp (kg/lb):	1.67 / 3.68
Gross weight carton (kg/lb):	12.5 / 27.56
Master carton dimensions (mm/in):	650x300x180 / 25.59x11.81x7.09
Quantity per carton:	6

Code composition

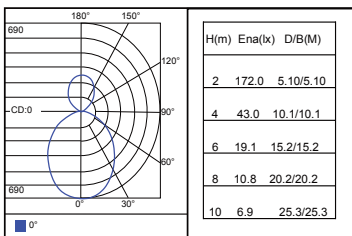
Series	Model	Size	Mounting	Luminous Ways	Wattage-Lumens
LN Linear	RE Reeco	2F 2 Feet	CM Surface Mount (Standard) SP Suspended WM Wall Mount RT Recessed/Trim RTL Recessed/Trimless CMTB Surface Mount T-bar	D Down UD3 Up&Down 30%-70%	20W-22L 20W-2200lm

CCTS	CRI	Voltage	Dimming	Fixture Finish	Accessories
CCTS 3000K/3500K/4000K/5000K (Selectable)	80 80+	CUNV 120-347V	D 0-10V Dimming	WH White (Standard) BK Black	NA No Accessories MF Mud Flange SAR-2F Specular Aluminum Reflector - 2' OS Microwave Sensor EB1 Emergency Driver & Battery (CUNV 120-347V)

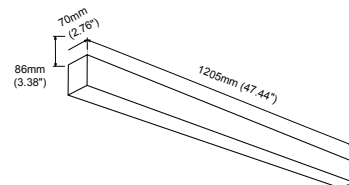
Down-3000K-CRI80



Up&Down-3000K-CRI80



REECO - 4' 40W (CCT SELECTABLE)



Product Information

40W

Installation:	Recessed Trim/Trimless, Suspended, Wall Mount, Surface Mount
Material:	Aluminum
Finish:	High reflectance baked enamel
System power (W):	40
Fixture lumen output (lm):	4400
System efficiency (lm/W):	110
LED Driver:	Integrated

Packaging

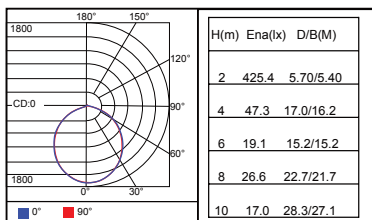
New weight lamp (kg/lb):	2.83 / 6.24
Gross weight carton (kg/lb):	19.0 / 41.89
Master carton dimensions (mm/in):	1240x300x180 / 48.82x11.81x7.09
Quantity per carton:	6

Code composition

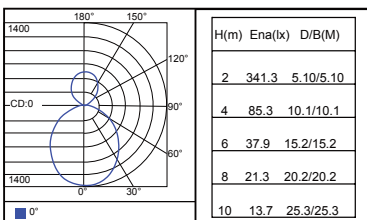
Series	Model	Size	Mounting	Luminous Ways	Wattage-Lumens
LN Linear	RE Reeco	4F 4 Feet	CM Surface Mount (Standard) SP Suspended WM Wall Mount RT Recessed/Trim RTL Recessed/Trimless CMTB Surface Mount T-bar	D Down UD3 Up&Down 30%-70%	40WS-44L 40W-4400lm

CCTS	CRI	Voltage	Dimming	Fixture Finish	Accessories
CCTS 3000K/3500K/4000K/5000K (Selectable)	80 80+	CUNV 120-347V	D 0-10V Dimming	WH White (Standard) BK Black	NA No Accessories MF Mud Flange SAR-4F Specular Aluminum Reflector - 4' OS Microwave Sensor EB2 Emergency Driver & Battery (CUNV 120-347V)

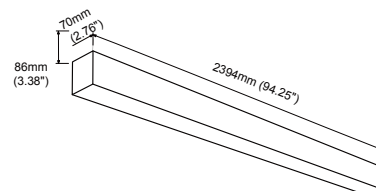
Down-3000K-CRI80



Up&Down-3000K-CRI80



REECO - 8' 80W (CCT SELECTABLE)



Product Information	80W
Installation:	Recessed Trim/Trimless, Suspended, Wall Mount, Surface Mount
Material:	Aluminum
Finish:	High reflectance baked enamel
System power (W):	80
Fixture lumen output (lm):	8800
System efficiency (lm/W):	110
LED Driver:	Integrated

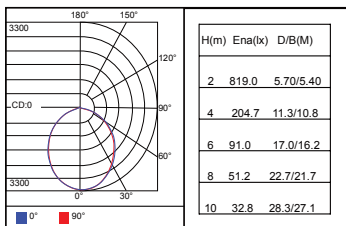
Packaging	
New weight lamp (kg/lb):	5.15 / 11.35
Gross weight carton (kg/lb):	23.0 / 51.71
Master carton dimensions (mm/in):	2430x210x180 / 95.67x8.27x7.09
Quantity per carton:	6

Code composition

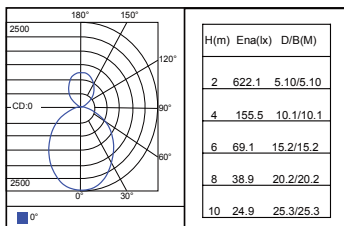
Series	Model	Size	Mounting	Luminous Ways	Wattage-Lumens
LN Linear	RE Reeco	8F 8 Feet	CM Surface Mount (Standard) SP Suspended WM Wall Mount RT Recessed/Trim RTL Recessed/Trimless CMTB Surface Mount T-bar	D Down UD3 Up&Down 30%-70%	80W-88L 80W-8800lm

CCTS	CRI	Voltage	Dimming	Fixture Finish	Accessories
CCTS 3000K/3500K/4000K/5000K (Selectable)	80 80+	CUNV 120-347V	D 0-10V Dimming	WH White (Standard) BK Black	NA No Accessories MF Mud Flange SAR-8F Specular Aluminum Reflector - 4' (2 required) OS Microwave Sensor EB2 Emergency Driver & Battery (CUNV 120-347V)

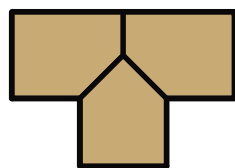
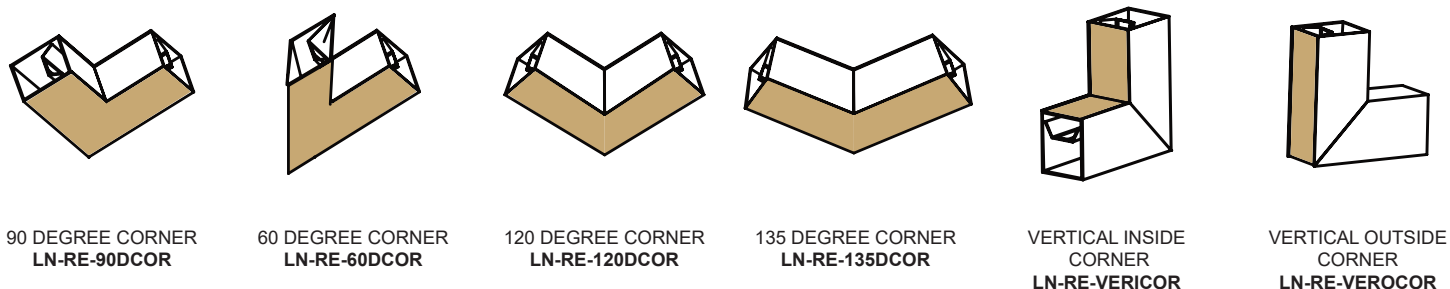
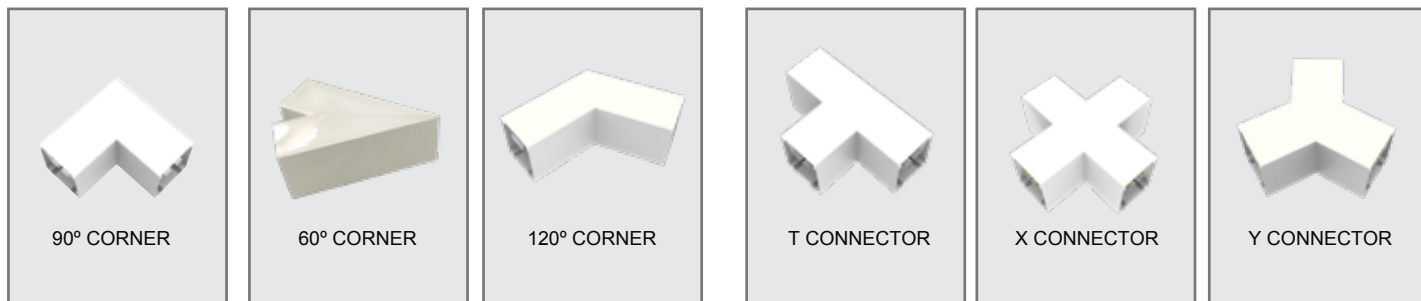
Down-3000K-CRI80



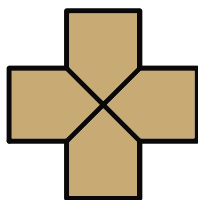
Up&Down-3000K-CRI80



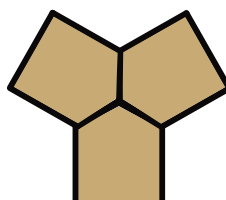
SYSTEM PARTS AND ACCESSORIES



T CONNECTOR
LN-RE-TCON



X CONNECTOR
LN-RE-XCON



Y CONNECTOR
LN-RE-YCON

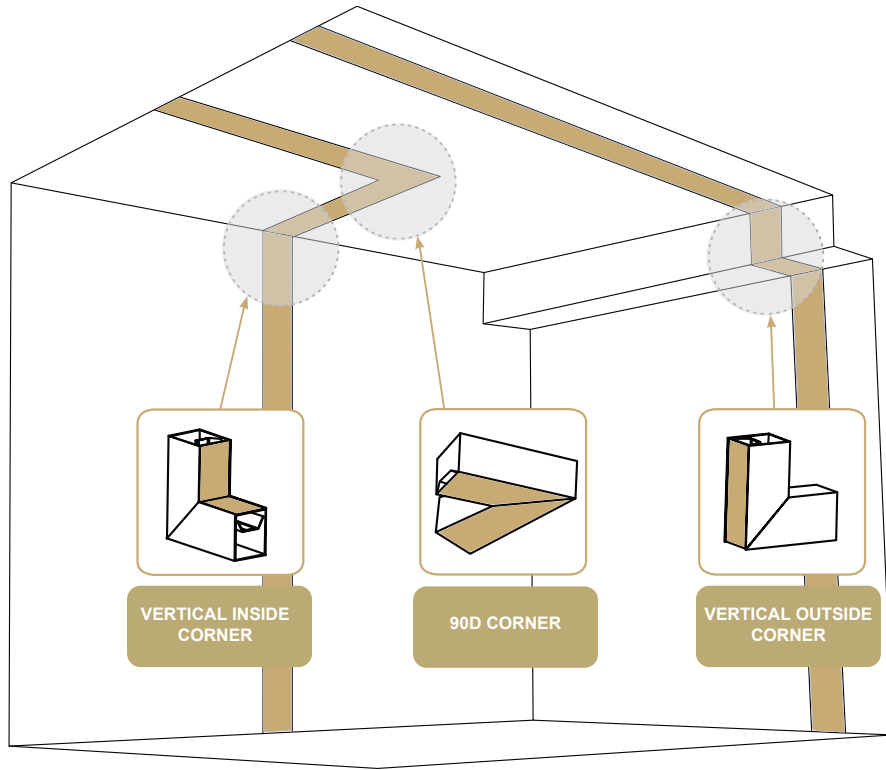
Wattages

LN-RE-90DCOR-WH: 5W
 LN-RE-60DCOR-WH: 5W
 LN-RE-120DCOR-WH: 5W
 LN-RE-135DCOR-WH: 5W
 LN-RE-VERICOR-WH: 5W
 LN-RE-VEROCOR-WH: 5W
 LN-RE-TCON-WH: 7.5W
 LN-RE-XCON-WH: 10W
 LN-RE-YCON-WH: 7.5W

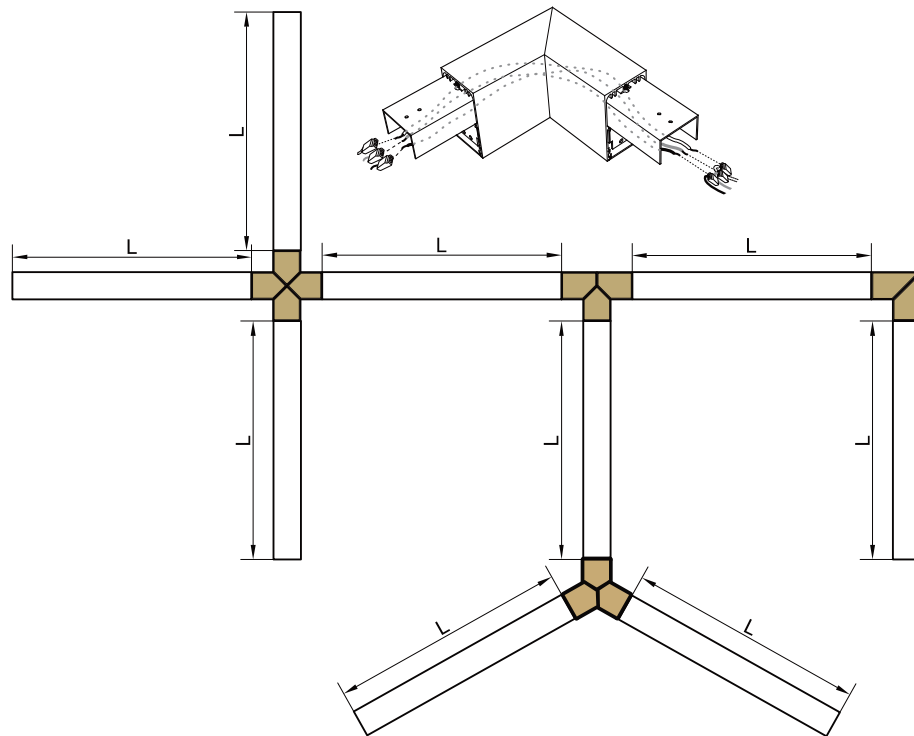
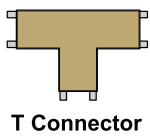
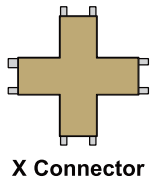
Code Composition

LN-RE-90DCOR-WH	LN-RE-90DCOR-BK	Linear - Reeco - 90D CORNER - Black or White
LN-RE-60DCOR-WH	LN-RE-60DCOR-BK	Linear - Reeco - 60D CORNER - Black or White
LN-RE-120DCOR-WH	LN-RE-120DCOR-BK	Linear - Reeco - 120D CORNER - Black or White
LN-RE-135DCOR-WH	LN-RE-135DCOR-BK	Linear - Reeco - 135D CORNER - Black or White
LN-RE-VERICOR-WH	LN-RE-VERICOR-BK	Linear - Reeco - Vertical Inside CORNER - Black or White
LN-RE-VEROCOR-WH	LN-RE-VEROCOR-BK	Linear - Reeco - Vertical Outside CORNER - Black or White
LN-RE-TCON-WH	LN-RE-TCON-BK	Linear - Reeco - T CONNECTOR - Black or White
LN-RE-XCON-WH	LN-RE-XCON-BK	Linear - Reeco - X CONNECTOR - Black or White
LN-RE-YCON-WH	LN-RE-YCON-BK	Linear - Reeco - Y CONNECTOR - Black or White

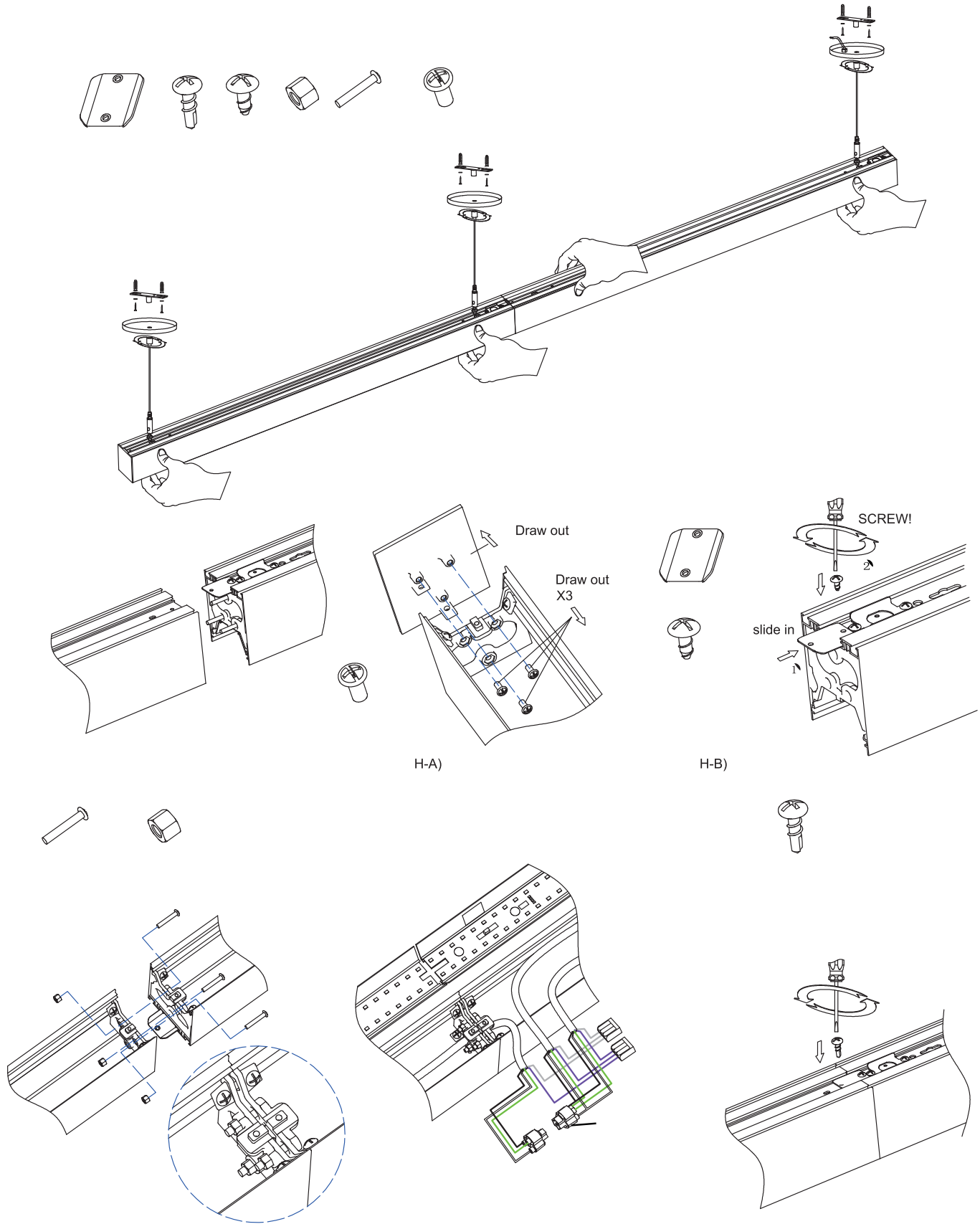
CORNERS



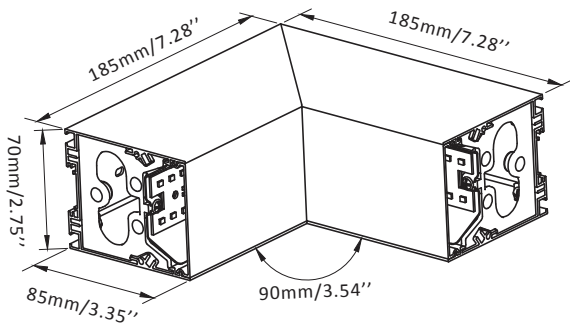
CONNECTORS



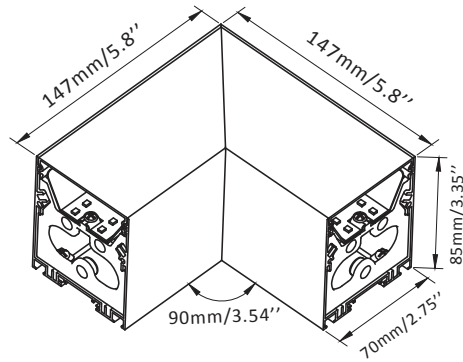
SEAMLESS CONTINUOUS RUN CONNECTORS



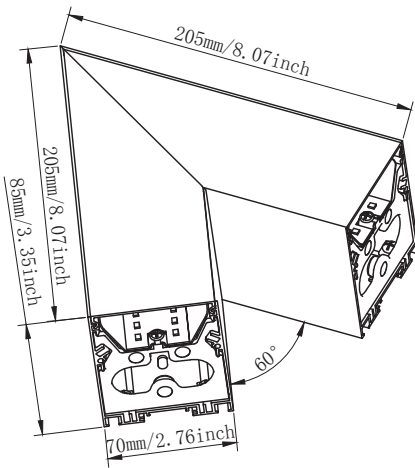
**CORNER DIMENSIONS
VERTICAL INSIDE/OUTSIDE CORNER**



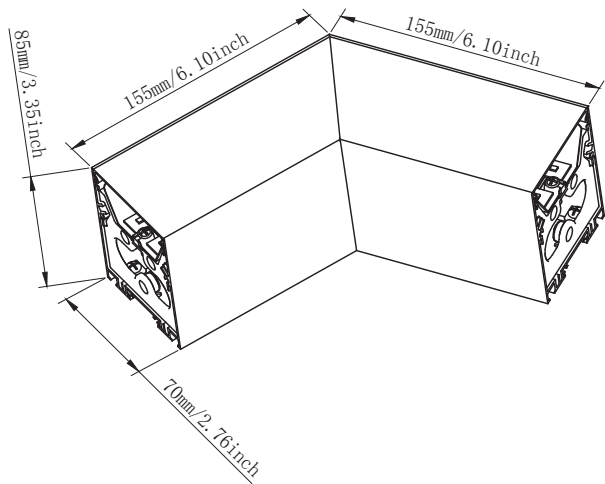
90° CORNER



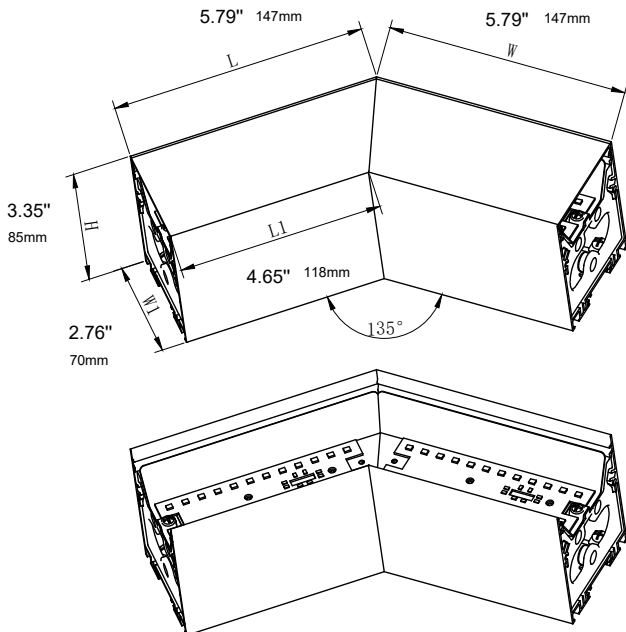
60° CORNER



120° CORNER



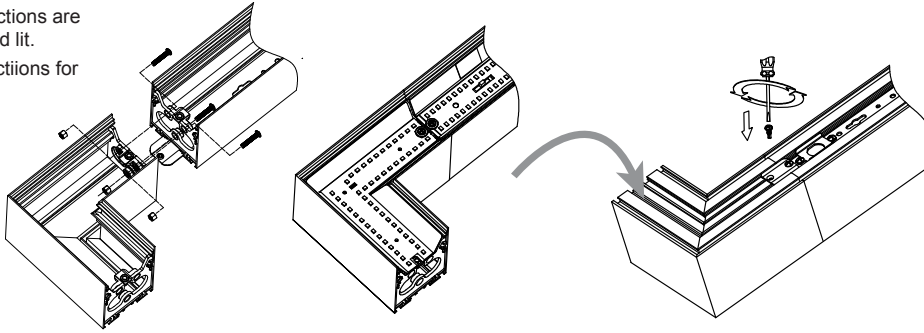
135° CORNER



CONNECTORS

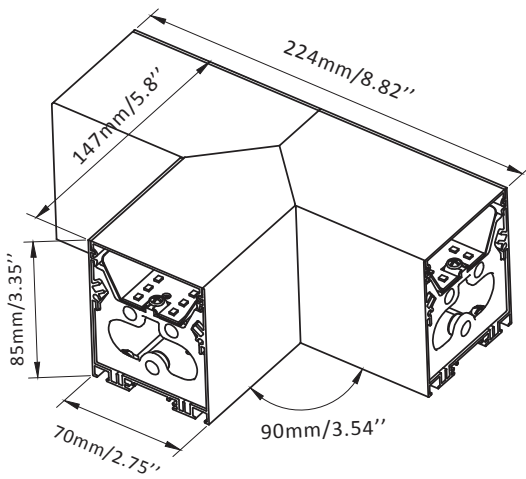
Please note all connections are basically seamless and lit.

See installation instructions for more details.

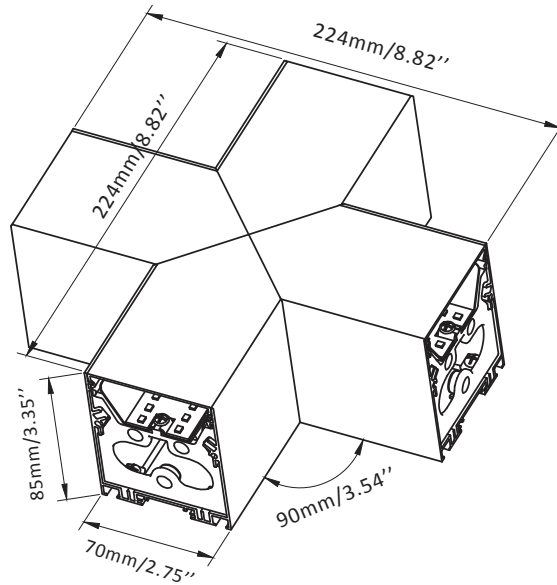


CONNECTOR DIMENSIONS

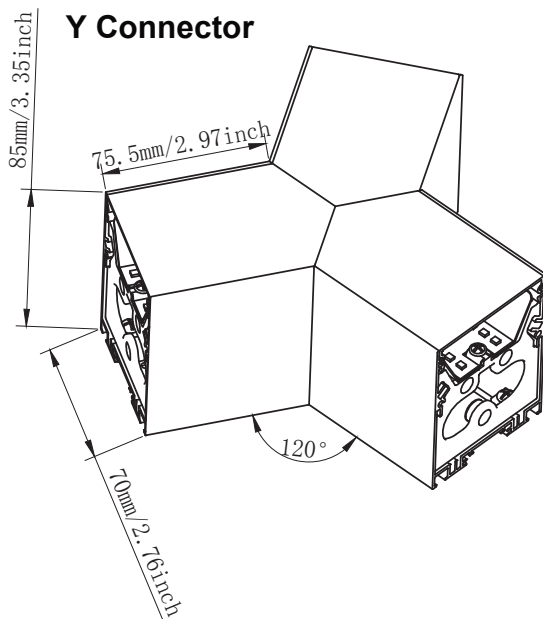
T Connector



X Connector

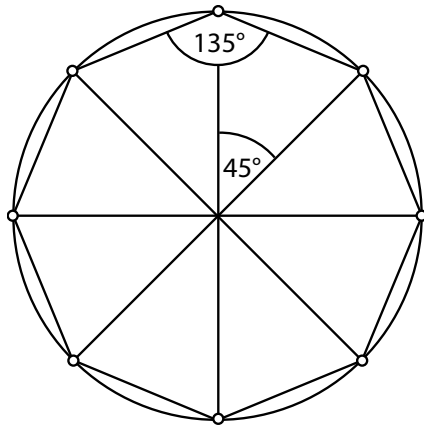


Y Connector



INSTALLATION CONFIGURATIONS

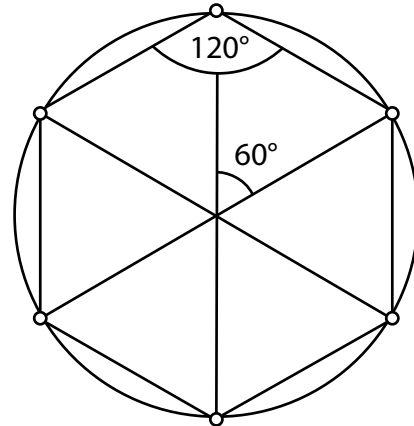
OCTAGON (STAND ALONE)



REQUIRED COMPONENTS

- 8 Units (2ft, 4ft or 8ft)
- 8 135° Corners

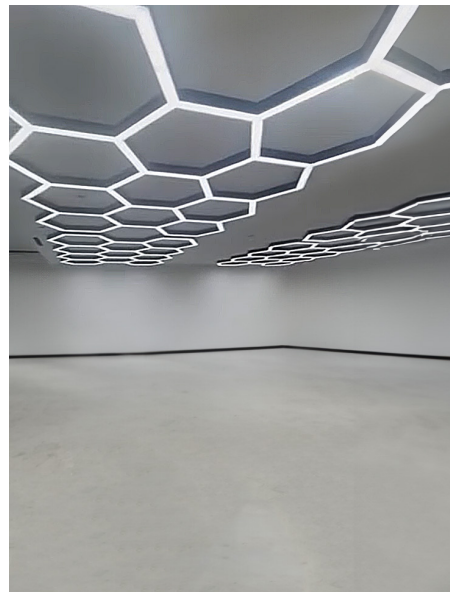
HEXAGON (STAND ALONE)



REQUIRED COMPONENTS

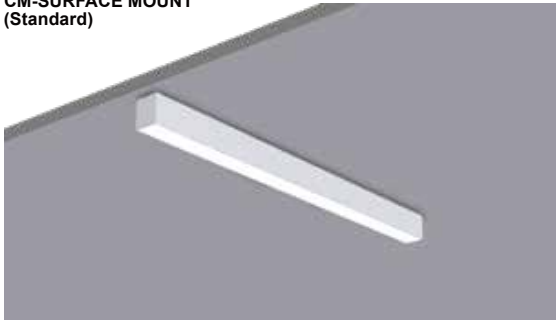
- 6 Units (2ft, 4ft or 8ft)
- 6 120° Corners

PLEASE NOTE: For additional and/or custom and/or intersecting shapes, please consult factory for proper bill of materials.



INSTALLATION OPTIONS

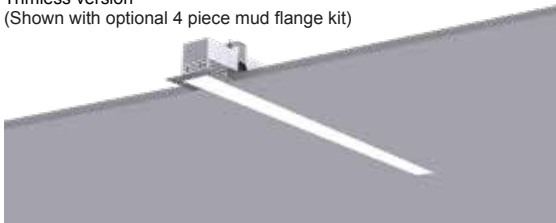
CM-SURFACE MOUNT
(Standard)



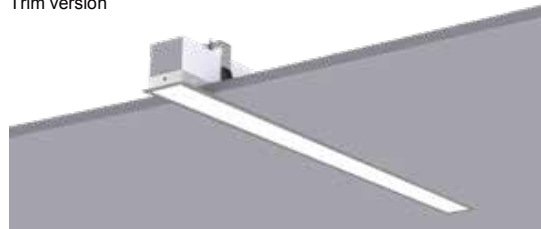
WM-WALL MOUNT



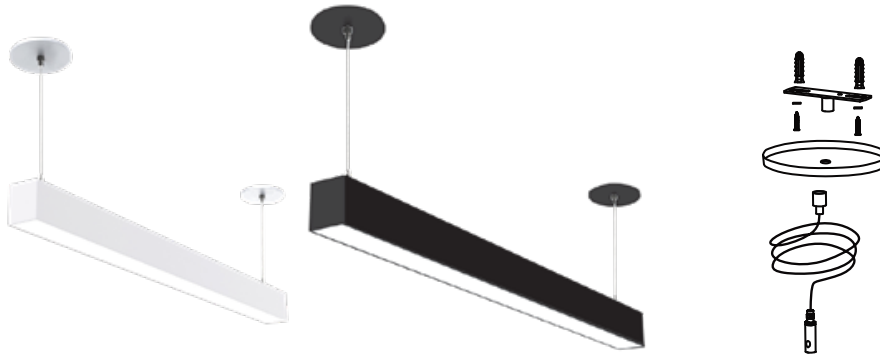
RTL-RECESSED
Trimless version
(Shown with optional 4 piece mud flange kit)



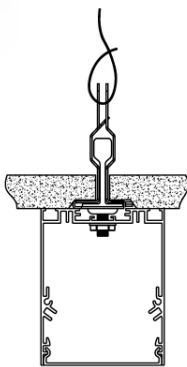
RT-RECESSED
Trim version



SP-SUSPENDED
(Includes 1 pair 5 ft cables and 2 canopy covers)



CMTB-SURFACE MOUNT T-BAR



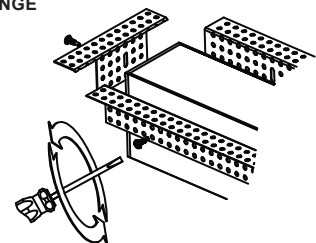
CMTB

SPECULAR ALUMINUM REFLECTOR



LN-RE-AR

MUD FLANGE



LN-RE-MF

APPLICATIONS



ACCESSORIES

EMERGENCY DRIVER & BATTERY (CUNV 120-347V)

EB1



EB2



Fixture	Emergency Driver	Output Power	Emergency Time	Installation	Voltage
2ft 20W	EB1	8W	90 mins	Integral	CUNV 120-347V
4ft 40W	EB2	15W	90 mins	Integral	CUNV 120-347V
8ft 80W	EB2	15W	90 mins	Integral	CUNV 120-347V