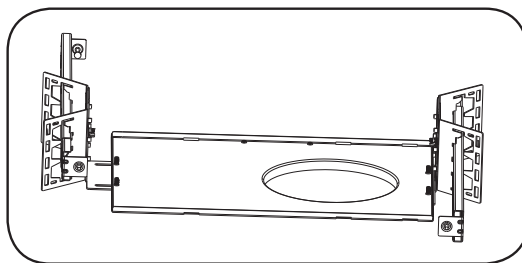


Luxlogic LED Downlight



BEFORE YOU BEGIN

Read these instructions completely and carefully.



⚠ WARNING/AVERTISSEMENT

RISK OF ELECTRIC SHOCK

- Turn power off before inspection, installation or removal.
- Properly ground electrical enclosure.

RISK OF FIRE

- Follow all NEC and local codes.
- Use only UL approved wire for input / output connections. Minimum size 18 AWG for continuous runs.

RISQUES DE DÉCHARGES ÉLECTRIQUES

- Coupez l'alimentation avant d'inspecter, installer ou déplacer le luminaire.
- Assurez-vous de correctement mettre à la terre le boîtier d'alimentation électrique.

RISQUES D'INCENDIE

- Respectez tous les codes NEC et codes locaux.
- N'utilisez que des fils approuvés par UL pour les entrées / sorties de connexion. Taille minimum 18 AWG pour les rangées continues.

Save These Instructions

Use only in the manner intended by the manufacturer. If you have any questions, contact the manufacturer.

Prepare Electrical Wiring



Electrical Requirements

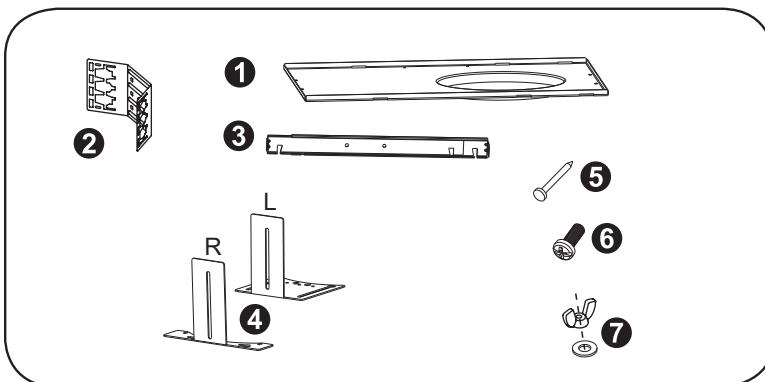
- The LED luminaire must be connected to the mains supply according to its ratings on the product label.



Grounding Instructions

- The grounding and bonding of the overall system shall be done in accordance to local electric code of the country where the luminaire is installed.

Components



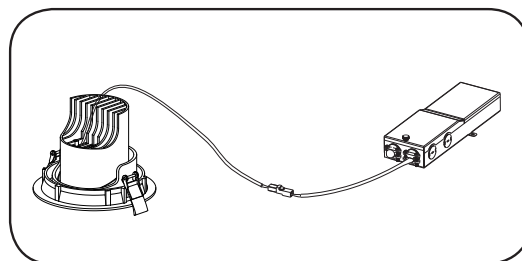
Number	Provided Item	Qty.	Comment
1	Platform	1	4" or 6"
2	Mounting brackets	2	
3	Expansion bar	2	
4	L-Bracket	2	The left and right each one
5	Steel nail	4	Lock number 3
6	M4x12 Screw	4	Lock number 4
7	Wing nut & M4 Flat washer	2	Lock number 2 & 4

Luxlogic LED Downlight



BEFORE YOU BEGIN

Read these instructions completely and carefully.



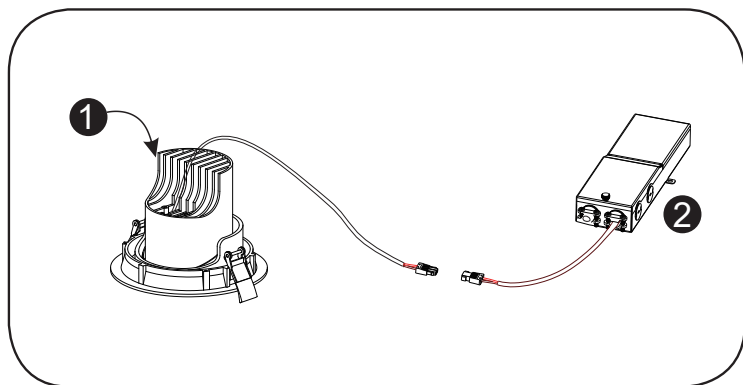
⚠ WARNING/AVERTISSEMENT

RISK OF FIRE OR ELECTRIC SHOCK

- Turn power off before inspection, installation or removal.
- Properly ground electrical enclosure.
- Follow all NEC and local codes.
- Use only UL approved wire for input connections. Minimum size 18 AWG.
- Installation of this down light requires a person familiar with the construction and operation of the luminaire's electrical system and the hazard involved. If not qualified, do not attempt installation. Contact a qualified electrician.
- To prevent wiring damage or abrasion, do not expose wiring to edges of sheet metal or other sharp objects.
- Do not make or alter any open holes in an enclosure of wiring or electrical components during installation.
- Fixture may fall down if not installed properly, follow installation instructions.
- Wear safety glasses and proper aid during installation and maintenance.

RISQUES D'INCENDIE OU DE DÉCHARGES ÉLECTRIQUES

- Coupez l'alimentation avant d'inspecter, installer ou déplacer le luminaire.
- Assurez-vous de correctement mettre à la terre le boîtier d'alimentation électrique.
- Respectez tous les codes NEC et codes locaux.
- N'utilisez que des fils approuvés par UL pour les entrées de connexion. Taille minimum 18 AWG.
- Ne pas percer ou altérer les trous d'un boîtier contenant fil ou composant électrique durant l'installation.
- Pour prévenir les dommages ou l'abrasion de fils électriques, ne pas exposer les fils aux arêtes de pièce de tôlerie ou n'importe quels autres objets tranchant.
- Ne pas percer ou altérer les trous d'un boîtier contenant fil ou composant électrique durant l'installation.
- Le luminaire peut tomber s'il n'est pas installé correctement, suivre les instructions d'installation.
- Porter des lunettes de sécurité et les aides appropriées lors de l'installation et de l'entretien.



- 1 Fixture Assembly (1 qty.)
- 2 Driver Enclosure Assembly (1 qty.)

*Required for 120V AC

Save These Instructions

Use only in the manner intended by the manufacturer. If you have any questions, contact the manufacturer.

Prepare Electrical Wiring



Electrical Requirements

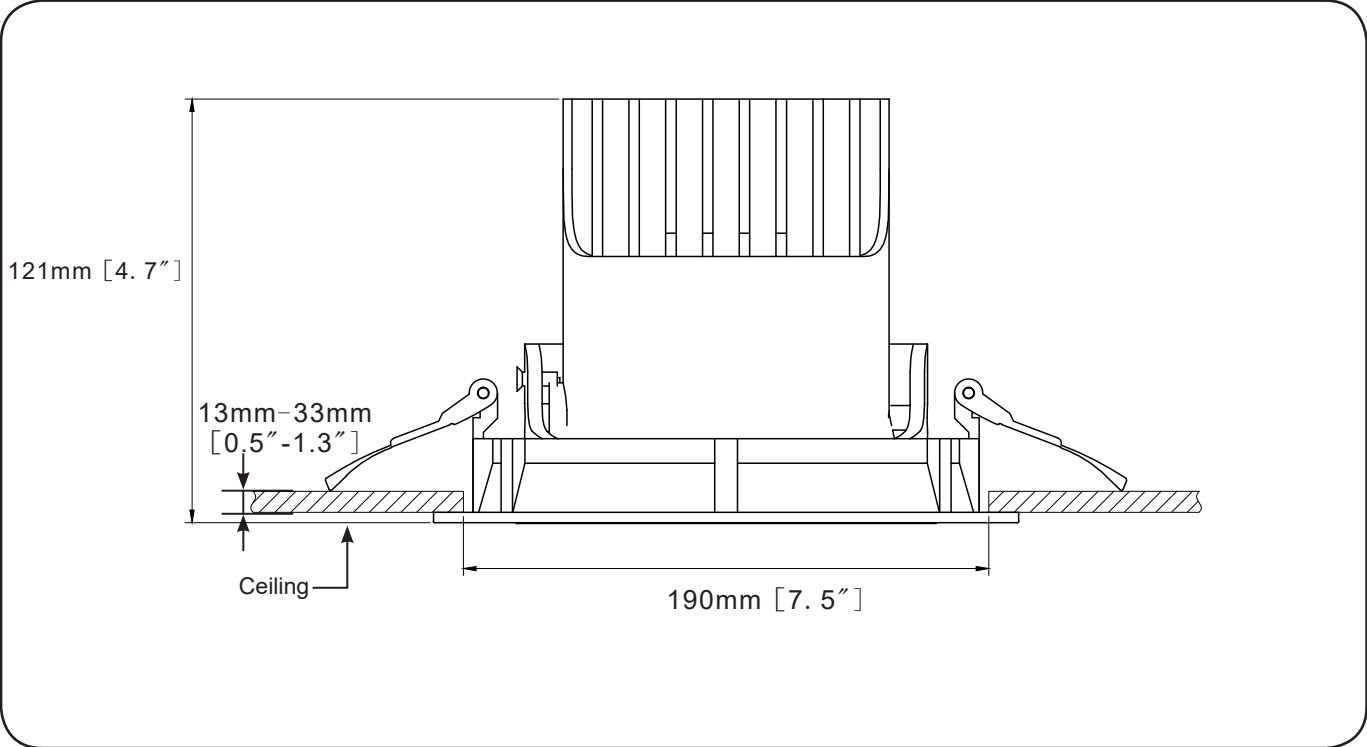
The fixture must be supplied with 120V AC, 50/60 Hz and connected to an individual properly grounded branch circuit, protected by a 20 ampere circuit breaker. Use min. 75°C supply conductors.



Grounding Instructions

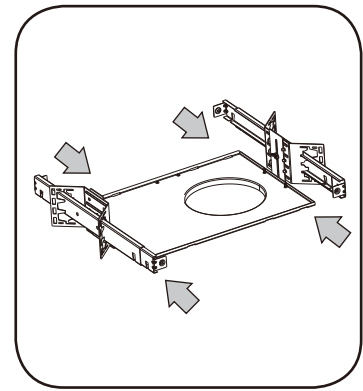
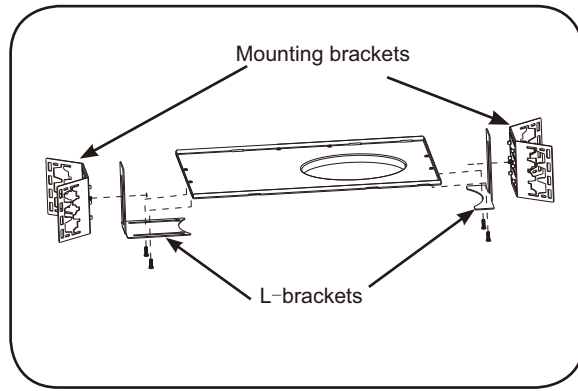
The grounding and bonding of the overall system shall be done in accordance with National Electric Code (NEC) Article 600 and local codes.

Dimensions and Fixture Configurations

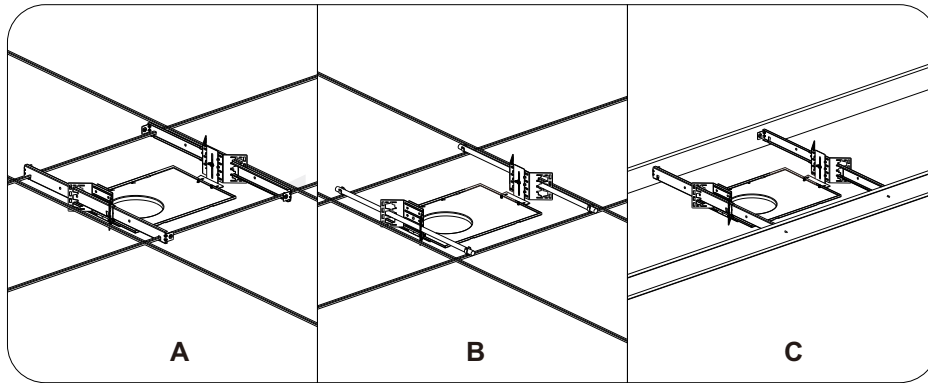


Frame Installation

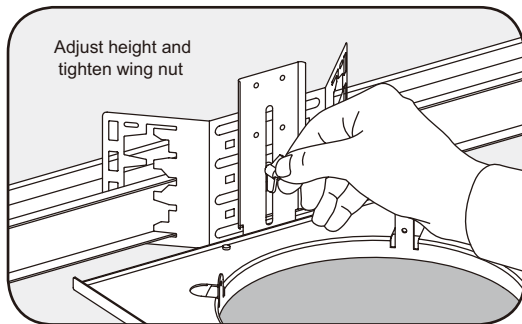
Fixture Diameter	Hole Diameter
6"	6.4-7.2 in.



- 1 Cut the appropriate size hole into ceiling tile.
- 2 Place side L-brackets on existing platform screws and tighten with screwdriver on both sides of the platform. Then attach mounting brackets to both L-brackets with wing nuts (provided).
- 3 Slide hanger bars through adjustable mounting brackets.

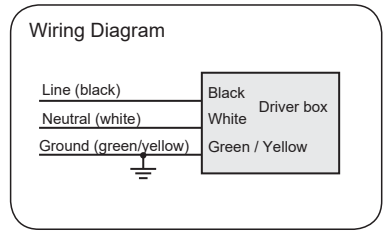
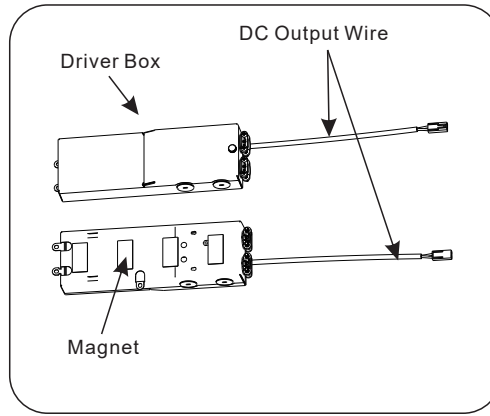
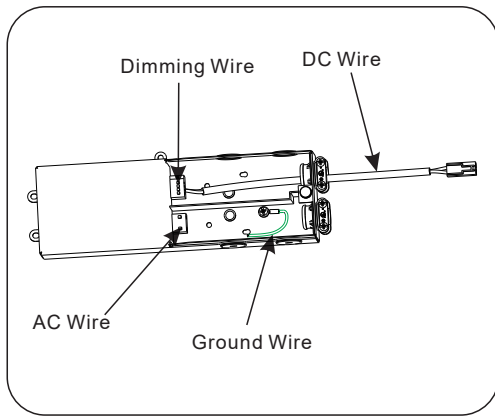


- 4 Option A: Mount fixture by attaching hanger bars to T-Grid ceiling (BH3 SKU 94890).
Option B: Mount fixture with 1/2" EMT conduit. Note: Supplied by 3rd party.
Option C: Mount fixture with steel nails to lightweight steel structure.



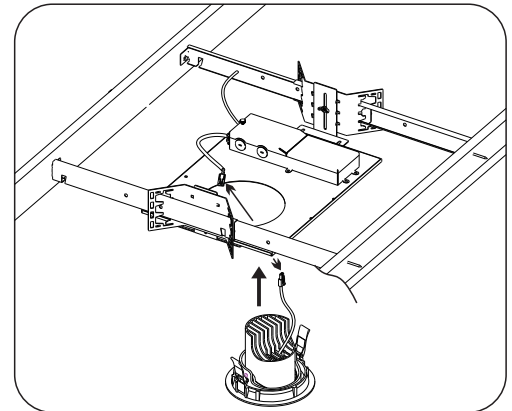
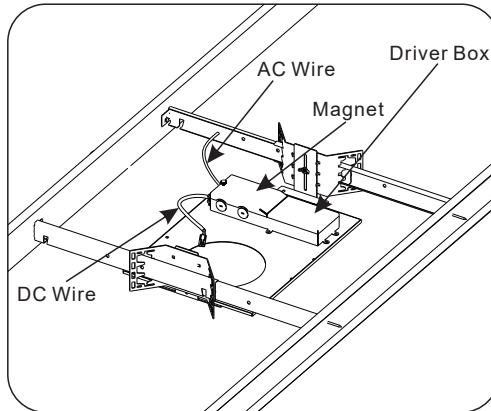
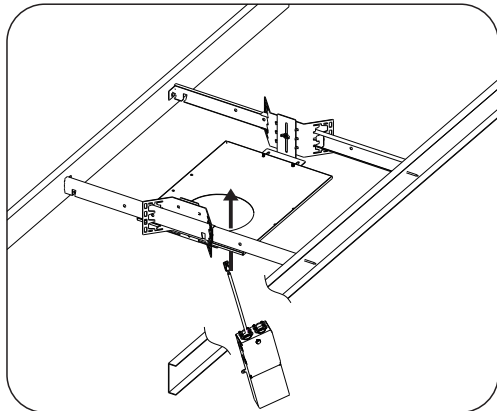
- 5 Adjust fixture height to be flush with ceiling and tighten both mounting bracket wing nuts.

Driver Box Inside Wiring Diagram



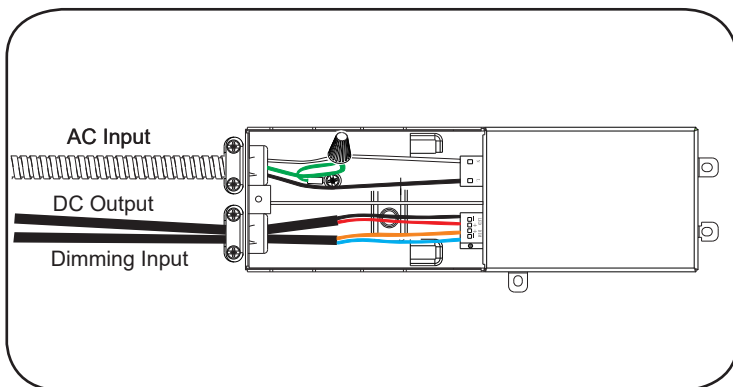
⚠ NOTICE
Turn off power before installation.

6 Connect AC line to existing driver box. Connect conduit fitting to the existing driver box. Connect the black, white and green / yellow wires of the input leads to the black, white and green AC line wires using UL Listed twist-on wire connectors and close the driver box (see wiring diagram).



7 Driver box and driver shall be mounted on the platform firmly. Wiring connectors shall be connected properly in the connector box (see wiring diagram).

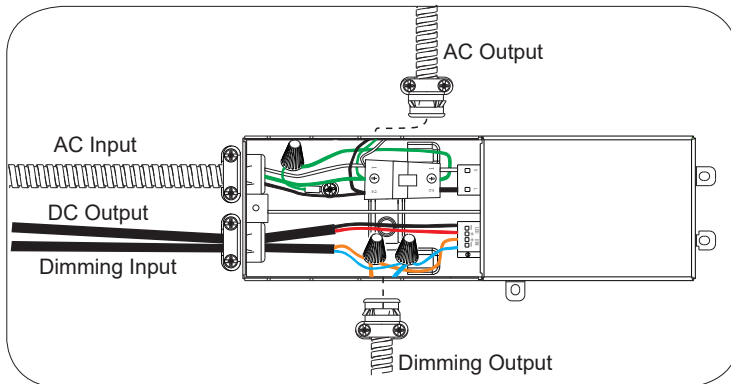
Driver Inside Wiring Diagram (I)



⚠ NOTICE

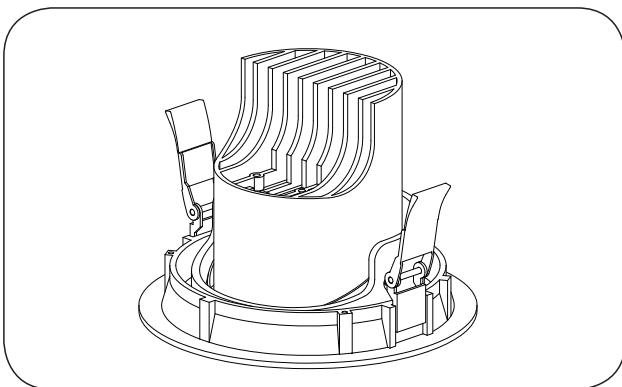
- This type of connection is only applicable to connect the electricity from driver box.
- Dotted line, wiring if needed.
- AC Output only connected between fixtures. A fixture is wiring from driver box, AC Output shall not be connected to each other.

Driver Inside Wiring Diagram (II)

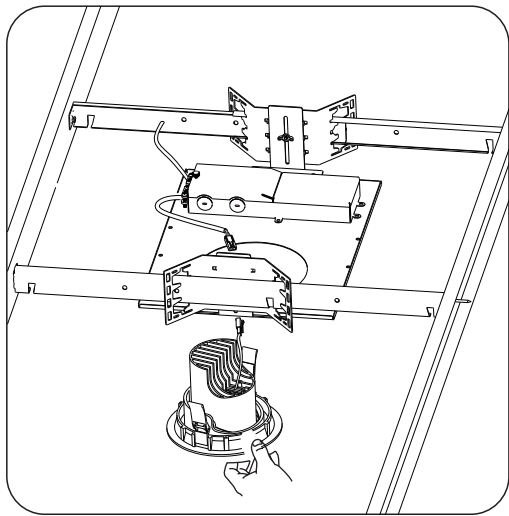


⚠ NOTICE

- This type of connection is only applicable to connect the electricity from driver box.
- Dotted line, wiring if needed.
- AC Output only connected between fixtures. A fixture is wiring from junction box, AC Output shall not be connected to each other.

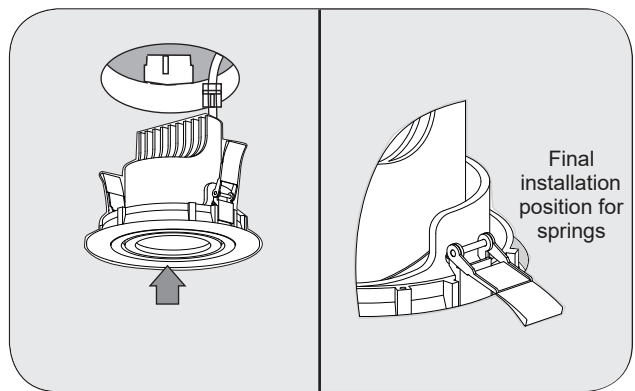


- 8 Install the springs in the corresponding position of the lamp .



11 Position the fixture below the ceiling so that two of the three springs are on each side of the rough-in kit support arms. This is necessary in order to make sure that when the springs release, the rough-in kit support arms don't interfere and prevent the springs from making contact with the top of the ceiling for proper support.

NOTE: Ensure the fixture is positioned properly before installing in the ceiling so the springs don't interfere with the support arms.

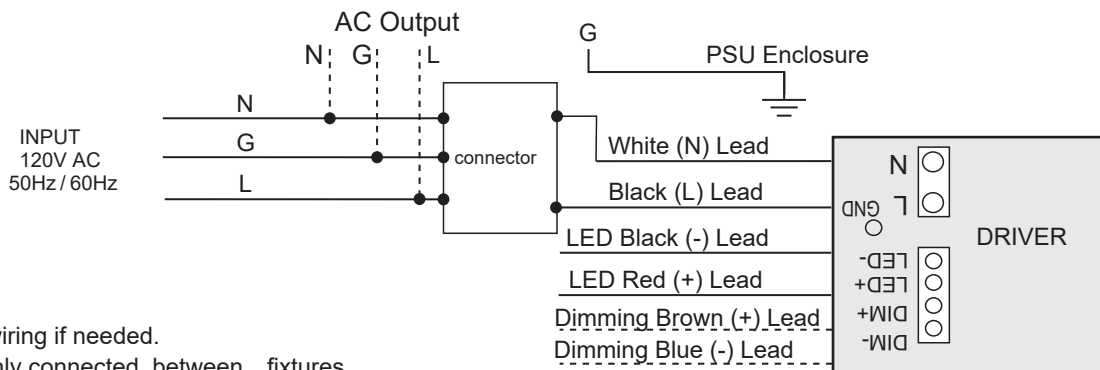


12 Push fixture through the hole in the ceiling. This will engage the protruding arms, thus, releasing the springs. The springs will draw the fixture up into the ceiling and hold it their tightly.

CAUTION

RISK OF PERSONAL INJURY -Operators shall ensure no appendages are in the path of the torsion springs as they are a pinch hazard when released. The springs will release when the arm is flexed downward. Be cautious that no body part is in the path of the spring when released.

Driver Inside Wiring Diagram (II)



NOTICE

- Dotted line, wiring if needed.
- AC Output only connected between fixtures. A fixture is wiring from junction box, AC Output shall not be connected to each other.

Limited 5 Year Warranty.

This device complies with Part 15 of the cETL Rules. Operation is subject to the following two conditions: (1) This device may not cause harmful interference, and (2) this device must accept any interference received, including interference that may cause undesired operation. This Class [A] RFLD complies with the Canadian standard ICES-003. Ce DEFER de la classe [A] est conforme à la NMB-003 du Canada.

Note: This equipment has been tested and found to comply with the limits for a Class A digital device, pursuant to part 15 of the cETL Rules. These limits are designed to provide reasonable protection against harmful interference when the equipment is operated in a commercial environment. This equipment generates, uses, and can radiate radio frequency energy and, if not installed and used in accordance with the instruction manual, may cause harmful interference to radio communications. Operation of this equipment in a residential area is likely to cause harmful interference in which case the user will be required to correct the interference at his own expense.



LUXLOGIC LIGHTING INC.

8601 Jane Street, Unit 7 & 8, Vaughan, Ontario Canada L4K 5N9.
PHONE: 416.833.5515
www.luxlogic.ca