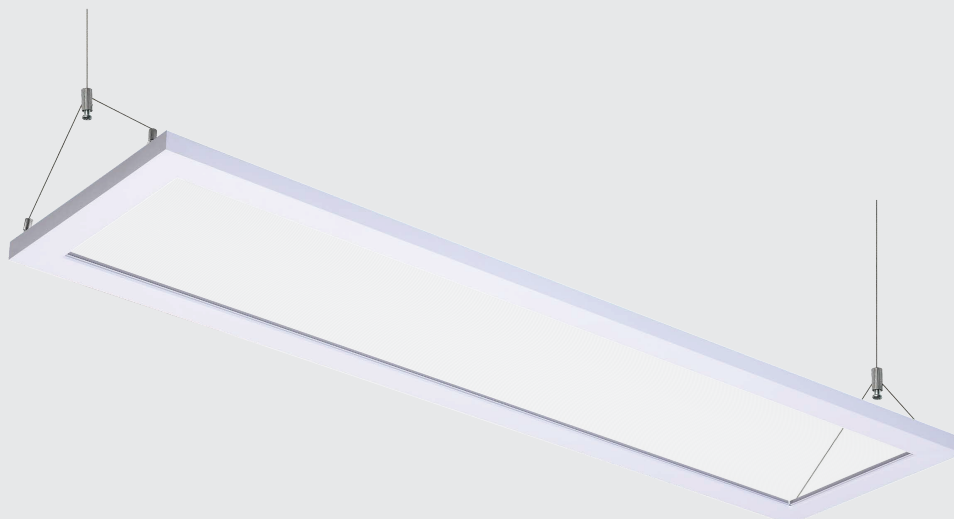


MAGLITE SERIES



Description

The **Luxlogic Maglite** suspended luminaire is a uniquely designed LED optical system that incorporates a clear transition zone between the frame and light-emitting zone, making an illusion of light floating in mid-air. It is a smart choice for hallways, reception areas, and shopping malls.

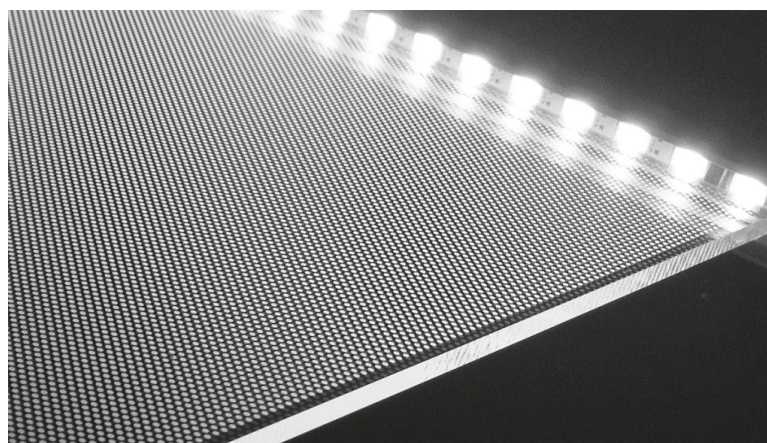
It allows for a nearly transparent luminaire when off and excellent uniformity and efficiency when on.

Low profile design optimizes shipping, storage, and handling.

Luminous ways available in Down (100%) and up/down with (50/50 %) options available.

Maglite available in 4 feet (40W) with an efficacy of 110 lumen/Watt.

Continuous run can be achieved mechanically, but is non-seamless. A separate power cable will be required to connect to each fixture. Suspension kit includes 5foot cable and a canopy cover.



Light Guide Plate Technology

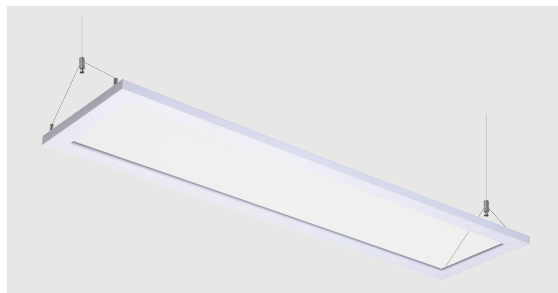
A wide range of possibilities emerge for managing light, including down or up/down distributions.

MAGLITE – 4’ 40W



Product Information

40W	
Installation:	Suspended
Material:	Aluminum
Finish:	High reflectance baked enamel
System power (W):	40
Fixture lumen output (lm):	4400
System efficiency (lm/W):	110
LED driver:	Integrated



Light source information

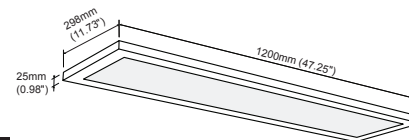
LED typology:	SMD with Light Guide Plate
LED power consumption (W):	40
Lumen output 3000K CRI 80 (lm):	4800
LED efficiency (lm/W):	120

Packaging

Net weight lamp (kg/lb):	3.4 / 7.50
Gross weight carton (kg/lb):	8.5 / 18.74
Master carton dimensions (mm/in):	1210x325x90 / 47.64x12.80x3.54
Quantity per carton:	2

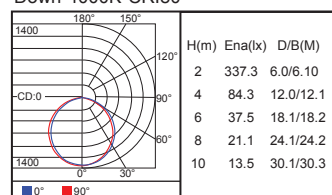
Code Composition

Series	Model	Size	Mounting	Luminous Ways	Wattage-Lumens
LN Linear	MAG Maglite	4F 4 Feet	SP Suspended	D Down UD5 Up&Down 50%-50%	40W-44L 40W-4400lm

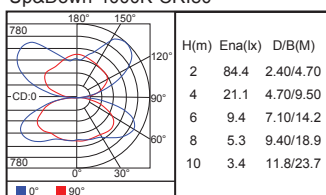


CCT	CRI	Voltage	Dimming	Finish	Accessories
30K 3000K	80 80+	UNV 120-277V	ND No dimming	WH White	NA No Accessories
35K 3500K			D 0-10V Dimming	BK Black	
40K 4000K				GR Grey	

Down-4000K-CRI80

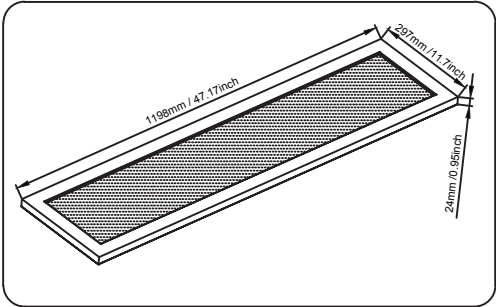


Up&Down-4000K-CRI80

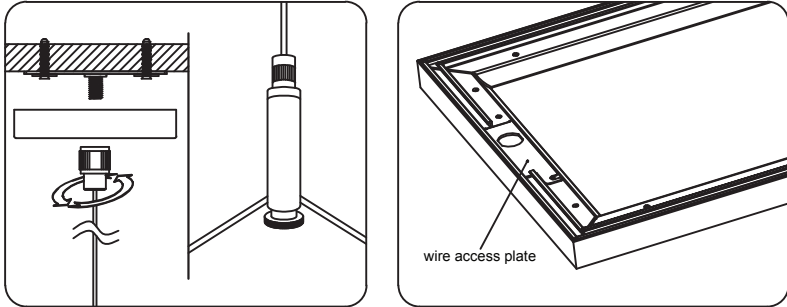


INSTALLATION

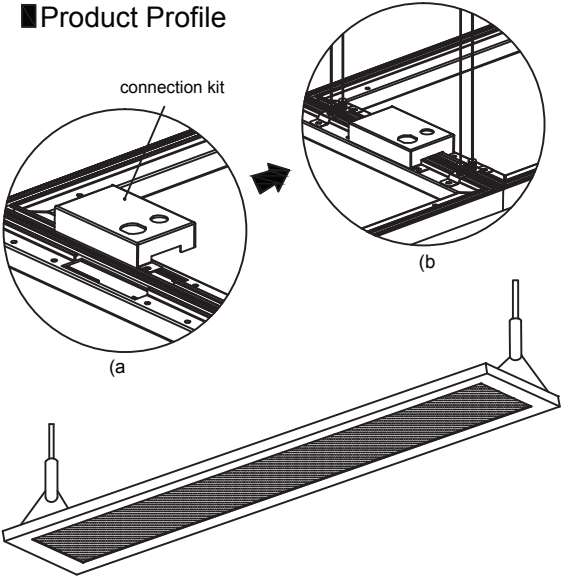
Installation Dimension



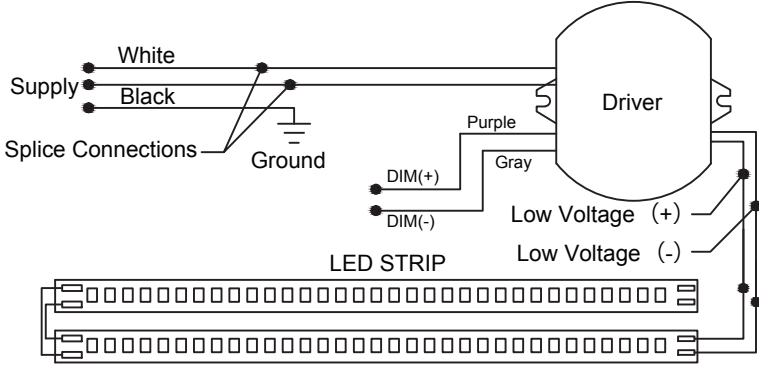
Suspended Mounting



Product Profile



Wiring Diagram



Note that continuous run installation is achievable mechanically, but is non-seamless.

Each fixture will need to be independently powered with a separate cable.