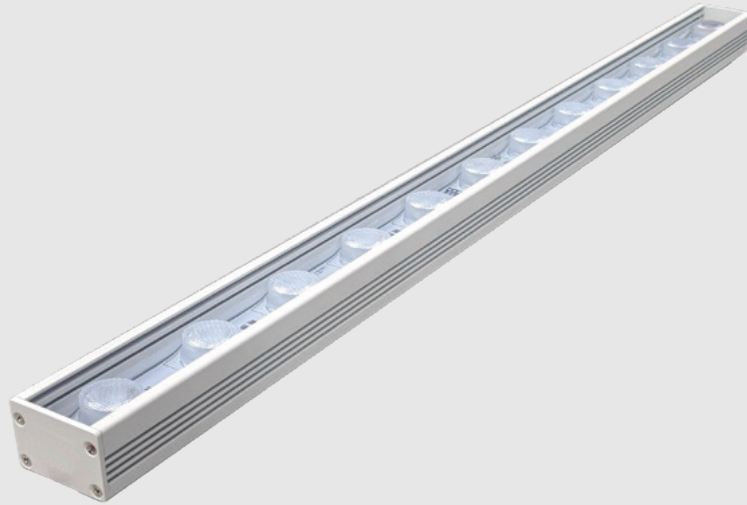


WALL GRAZER



Description

The **Wall Grazer** linear is a simple, yet elegant solution for wall washing and grazing applications where crisp, single colour light is desired along a wall or ceiling. The use of elliptical optics ensures smooth lighting across the entire surface with optimal overlap between LEDs, and little spill or throw beyond the illuminated plane.

Aluminum housing with white finish. Maximum daisy chain length of 6' / 2m.

Electrical Specifications

NOTE: Dimming Power Supply LN-WG-DPS is external and must be ordered separately.

DPS: 90W, Max 3 AMP, contains a Meanwell Driver in an IP67 rated enclosure. Best practice is maximum linear feet 6ft x 12W = 72W

Available Wattages: 12W per linear foot

CCTs: 2200K / 2700K / 3000K / 3500K / 4000K / 5000K / 5700K / 6000K / 6500K / BLUE / RED / GREEN / AMBER

Beam Angles: 6x6° / 10 x 10° / 15 x 15° / 25 x 25° / 30 x 30° / 40 x 40° / 60 x 60° / 90 x 90° / 6 x 40° / 10 x 30° / 10 x 45° / 10 x 70° / 12 x 48° / 20 x 45° / 20 x 65°

CRI: >80Ra

Power Factor: ≥0.90

IP Rating: IP67

Operating Temperature: -20°C to 50°C / -4°F to 122°F

Available Voltages: 120-277VAC (UNV) or 347 (HV)

0-10V Dimming

15.25cm / 6" Leads in and out



Certifications and Warranty

cUL listed with 6 year warranty

WALL GRAZER - 1'



Product Information

12W

Installation:	Swivel base or Mounting Clip
Material:	Aluminum
Finish:	Powder coat
System power (W):	12W
Fixture lumen output (lm):	Up to 1120 (See Colour Temperature Lumen Output Table on p.6)
LED driver:	Meanwell Driver

NOTE: Dimming Power Supply LN-WG-DPS is external and must be ordered separately. DPS: 90W, Max 3 AMP, contains a Meanwell Driver in an IP67 rated enclosure. Best practice is maximum linear feet 6ft x 12W = 72W

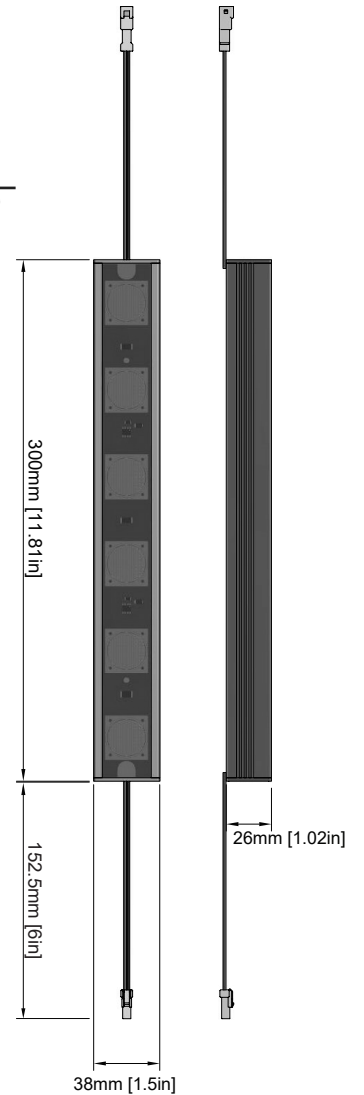
Packaging

Net weight lamp (kg/lb):	0.45 / 1
--------------------------	----------

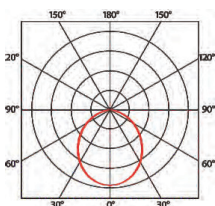
Code composition

Series	Model	Size	Mounting	Wattage	Optics																															
LN	Linear	WGR Wall Grazer	1F 1 Foot	MC Mounting Clip (Standard) SW Swivel Mount (1 pair)	12W 12W	<table border="0"> <tr><td>20x45</td><td>20 x 45° (Standard)</td></tr> <tr><td>6x6</td><td>6 x 6°</td></tr> <tr><td>10x10</td><td>10 x 10°</td></tr> <tr><td>15x15</td><td>15 x 15°</td></tr> <tr><td>25x25</td><td>25 x 25°</td></tr> <tr><td>30x30</td><td>30 x 30°</td></tr> <tr><td>40x40</td><td>40 x 40°</td></tr> <tr><td>60x60</td><td>60 x 60°</td></tr> <tr><td>90x90</td><td>90 x 90°</td></tr> <tr><td>6x40</td><td>6 x 40°</td></tr> <tr><td>10x30</td><td>10 x 30°</td></tr> <tr><td>10x45</td><td>10 x 45°</td></tr> <tr><td>10x70</td><td>10 x 70°</td></tr> <tr><td>12x48</td><td>12 x 48°</td></tr> <tr><td>20x65</td><td>20 x 65°</td></tr> </table>	20x45	20 x 45° (Standard)	6x6	6 x 6°	10x10	10 x 10°	15x15	15 x 15°	25x25	25 x 25°	30x30	30 x 30°	40x40	40 x 40°	60x60	60 x 60°	90x90	90 x 90°	6x40	6 x 40°	10x30	10 x 30°	10x45	10 x 45°	10x70	10 x 70°	12x48	12 x 48°	20x65	20 x 65°
20x45	20 x 45° (Standard)																																			
6x6	6 x 6°																																			
10x10	10 x 10°																																			
15x15	15 x 15°																																			
25x25	25 x 25°																																			
30x30	30 x 30°																																			
40x40	40 x 40°																																			
60x60	60 x 60°																																			
90x90	90 x 90°																																			
6x40	6 x 40°																																			
10x30	10 x 30°																																			
10x45	10 x 45°																																			
10x70	10 x 70°																																			
12x48	12 x 48°																																			
20x65	20 x 65°																																			

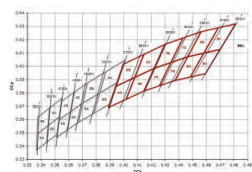
CCT	CRI	Voltage	Dimming	Finish	Accessories
22K	2200K	80 80+	UNV 120-277V	D 0-10V Dimming	WH White
27K	2700K	HV 347V		BK Black	
30K	3000K				
35K	3500K				
40K	4000K				
50K	5000K				
57K	5700K				
60K	6000K				
65K	6500K				
BL	BLUE				
RD	RED				
GN	GREEN				
AM	AMBER				



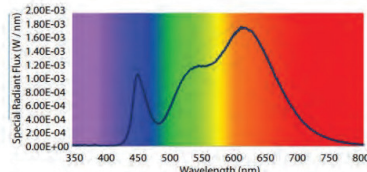
Polar Curve



BIN Details (CIE 1931)



Spectral Radiant Flux VS Wavelength



WALL GRAZER - 2'



Product Information

24W

Installation:	Swivel base or Mounting Clip
Material:	Aluminum
Finish:	Powder coat
System power (W):	24W
Fixture lumen output (lm):	Up to 2240 (See Colour Temperature Lumen Output Table on p.6)
LED driver:	Meanwell Driver

NOTE: Dimming Power Supply LN-WG-DPS is external and must be ordered separately. DPS: 90W, Max 3 AMP, contains a Meanwell Driver in an IP67 rated enclosure. Best practice is maximum linear feet 6ft x 12W = 72W

Packaging

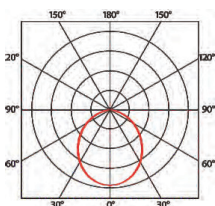
Net weight lamp (kg/lb):	0.9 / 2
--------------------------	---------

Code composition

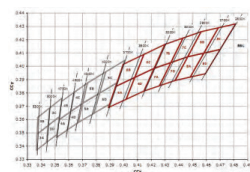
Series	Model	Size	Mounting	Wattage	Optics	
LN	Linear	WGR Wall Grazer	2F 2 Foot	MC Mounting Clip (Standard)	24W 24W	20x45 20 x 45° (Standard)
			SW Swivel Mount (1 pair)			6x6 6 x 6°
						10x10 10 x 10°
						15x15 15 x 15°
						25x25 25 x 25°
						30x30 30 x 30°
						40x40 40 x 40°
						60x60 60 x 60°
						90x90 90 x 90°
						6x40 6 x 40°
						10x30 10 x 30°
						10x45 10 x 45°
						10x70 10 x 70°
						12x48 12 x 48°
						20x65 20 x 65°

CCT	CRI	Voltage	Dimming	Finish	Accessories
22K 2200K	80 80+	UNV 120-277V	D 0-10V Dimming	WH White	
27K 2700K		HV 347V		BK Black	
30K 3000K					
35K 3500K					
40K 4000K					
50K 5000K					
57K 5700K					
60K 6000K					
65K 6500K					
BL BLUE					
RD RED					
GN GREEN					
AM AMBER					

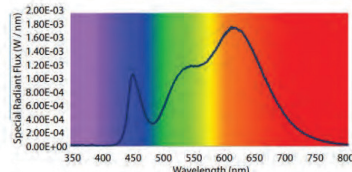
Polar Curve



BIN Details (CIE 1931)



Spectral Radiant Flux VS Wavelength



WALL GRAZER - 3'



Product Information

36W

Installation:	Swivel base or Mounting Clip
Material:	Aluminum
Finish:	Powder coat
System power (W):	36W
Fixture lumen output (lm):	Up to 3360 (See Colour Temperature Lumen Output Table on p.6)
LED driver:	Meanwell Driver

NOTE: Dimming Power Supply LN-WG-DPS is external and must be ordered separately. DPS: 90W, Max 3 AMP, contains a Meanwell Driver in an IP67 rated enclosure. Best practice is maximum linear feet 6ft x 12W = 72W

Packaging

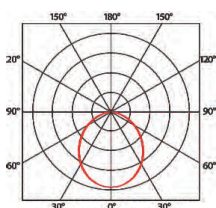
Net weight lamp (kg/lb):	1.35 / 3
--------------------------	----------

Code composition

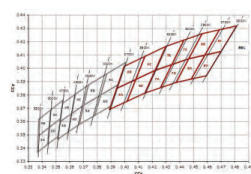
Series	Model	Size	Mounting	Wattage	Optics	
LN	Linear	WGR Wall Grazer	3F 3 Foot	MC Mounting Clip (Standard)	36W 36W	20x45 20 x 45° (Standard)
			SW Swivel Mount (1 pair)			6x6 6 x 6°
						10x10 10 x 10°
						15x15 15 x 15°
						25x25 25 x 25°
						30x30 30 x 30°
						40x40 40 x 40°
						60x60 60 x 60°
						90x90 90 x 90°
						6x40 6 x 40°
						10x30 10 x 30°
						10x45 10 x 45°
						10x70 10 x 70°
						12x48 12 x 48°
						20x65 20 x 65°

CCT	CRI	Voltage	Dimming	Finish	Accessories
22K 2200K	80 80+	UNV 120-277V	D 0-10V Dimming	WH White	
27K 2700K		HV 347V		BK Black	
30K 3000K					
35K 3500K					
40K 4000K					
50K 5000K					
57K 5700K					
60K 6000K					
65K 6500K					
BL BLUE					
RD RED					
GN GREEN					
AM AMBER					

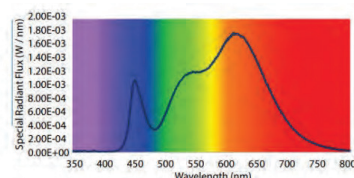
Polar Curve



BIN Details (CIE 1931)



Spectral Radiant Flux VS Wavelength



WALL GRAZER - 4'



Product Information

48W

Installation:	Swivel base or Mounting Clip
Material:	Aluminum
Finish:	Powder coat
System power (W):	48W
Fixture lumen output (lm):	Up to 4480 (See Colour Temperature Lumen Output Table on p.6)
LED driver:	Meanwell Driver

NOTE: Dimming Power Supply LN-WG-DPS is external and must be ordered separately. DPS: 90W, Max 3 AMP, contains a Meanwell Driver in an IP67 rated enclosure. Best practice is maximum linear feet 6ft x 12W = 72W

Packaging

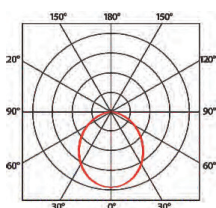
Net weight lamp (kg/lb):	1.8 / 4
--------------------------	---------

Code composition

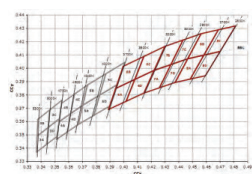
Series	Model	Size	Mounting	Wattage	Optics	
LN	Linear	WGR Wall Grazer	4F 4 Foot	MC Mounting Clip (Standard) SW Swivel Mount (1 pair)	48W 48W	20x45 20 x 45° (Standard) 6x6 6 x 6° 10x10 10 x 10° 15x15 15 x 15° 25x25 25 x 25° 30x30 30 x 30° 40x40 40 x 40° 60x60 60 x 60° 90x90 90 x 90° 6x40 6 x 40° 10x30 10 x 30° 10x45 10 x 45° 10x70 10 x 70° 12x48 12 x 48° 20x65 20 x 65°

CCT	CRI	Voltage	Dimming	Finish	Accessories
22K 2200K	80 80+	UNV 120-277V	D 0-10V Dimming	WH White	
27K 2700K		HV 347V		BK Black	
30K 3000K					
35K 3500K					
40K 4000K					
50K 5000K					
57K 5700K					
60K 6000K					
65K 6500K					
BL BLUE					
RD RED					
GN GREEN					
AM AMBER					

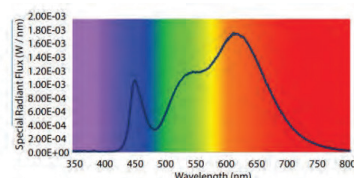
Polar Curve



BIN Details (CIE 1931)



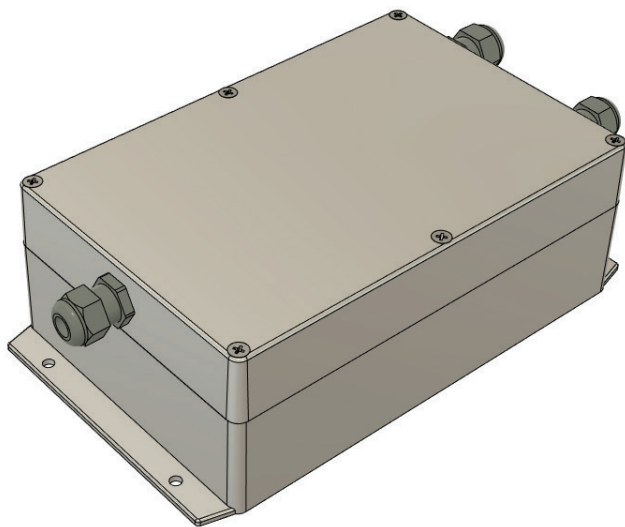
Spectral Radiant Flux VS Wavelength



WALL GRAZER Colour Temperature Lumen Output Table

White	Lumens/ft	White	Lumens/ft
2200K (W22)	830 lm	5000K (W50)	1120 lm
2700K (W27)	1080 lm	5700K (W57)	1120 lm
3000K (W30)	1000 lm	6000K (W60)	1120 lm
3500K (W35)	1080 lm	6500K (W65)	1120 lm
4000K (W40)	1080 lm		

Dimming Power Supply

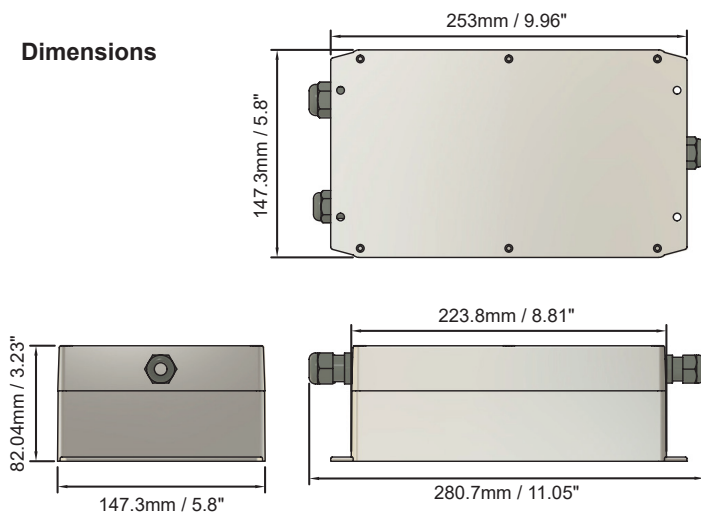


INPUT VOLTAGE (VAC)	100-240VAC~ 1.10A 50/60Hz
INPUT VOLTAGE (VAC)	347VAC~ 1.10A 50/60Hz
OUTPUT POWER (W)	90
OUTPUT VOLTAGE (VDC)	24
OUTPUT CURRENT (A)	3.75
IP RATING	IP67
DIMMING TECHNOLOGY	0-10V
WEIGHT (KG/LB)	3.18 / 7

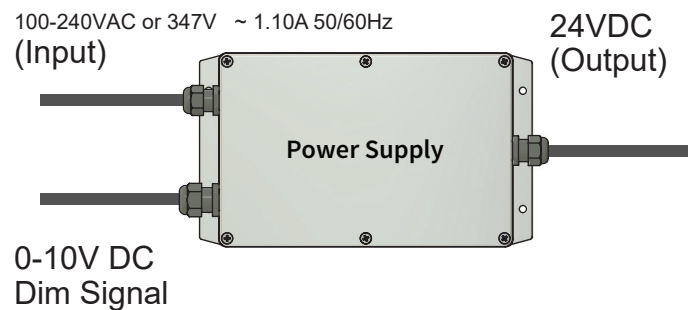
NOTE: Dimming Power Supply LN-WG-DPS is external and must be ordered separately.

DPS: 90W, Max 3 AMP, contains a Meanwell Driver in an IP67 rated enclosure. Best practice is maximum linear feet 6ft x 12W = 72W

Dimensions

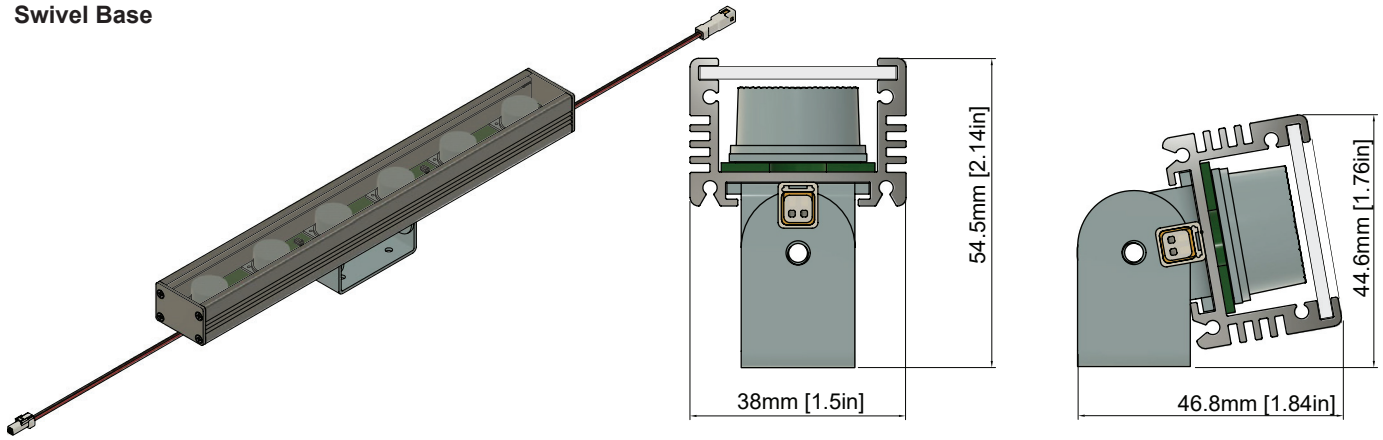


Wiring Diagram



WALL GRAZER Mounting Options

Swivel Base



Mounting Clip

