

VERVEL C SERIES (SURFACE)

INSTALLATION MANUAL

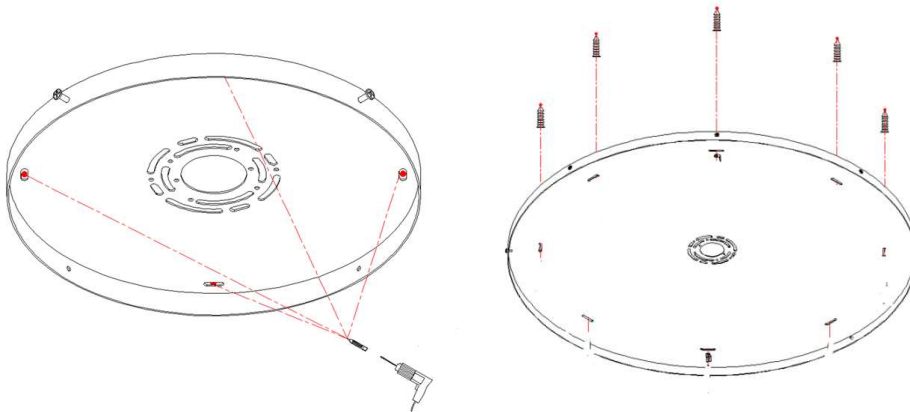


Please read the manual carefully before installing the product and save it for future reference.

The product has been well inspected on performance and complete packaging before shipment from the factory. All users shall strictly observe the warning and operation instructions stated in this manual. Any damage caused by misoperation is not within the warranty of New Shine Lighting, and the failures and problems caused by not following the operating manual are not in the responsibility of the distributor.

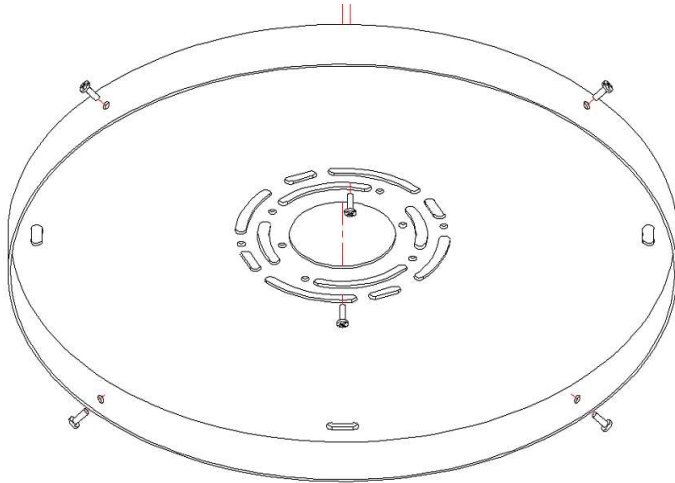
Installation procedure

1. Take the fixture and accessories from the packing box. To ensure that fixture and accessories are complete, put fixture and accessories on the same horizontal surface, downwards the light surface.
2. Take out Plastic Pin and Support Bracket. And drill holes on the ceiling according to Support Bracket. Fixing holes diameter is 8mm. Insert the expansion bolts into the holes.

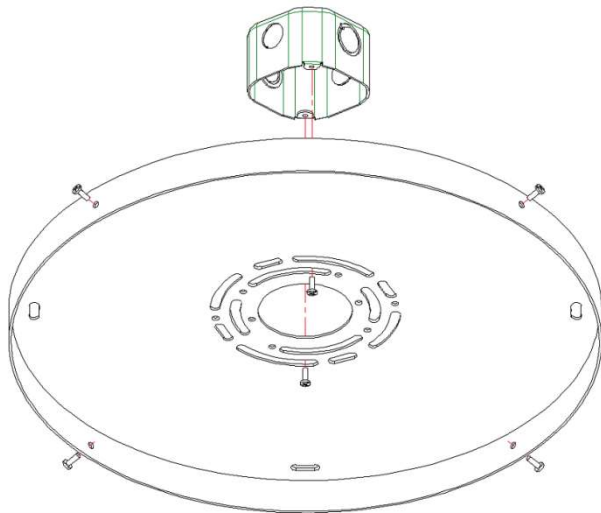


3. Lock M4*25 Screw with Support Bracket from side, keep the distance from screw head to Support Bracket as 5mm.

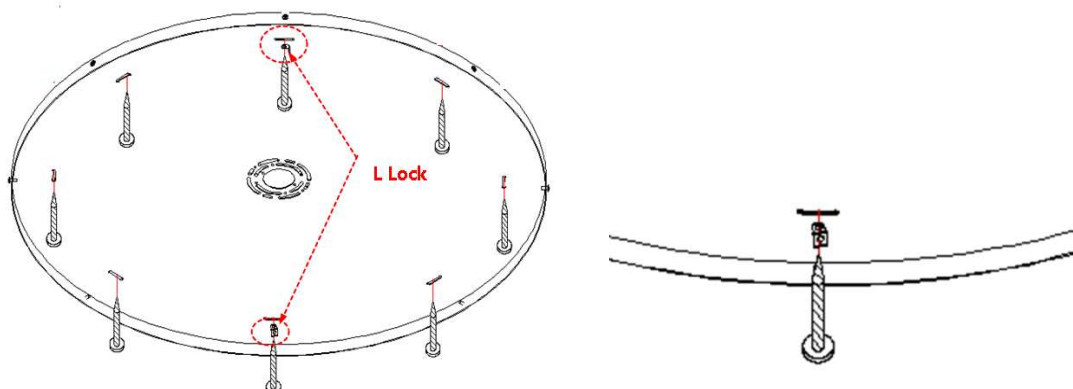
VERVEL C SERIES (Surface) INSTALLATION MANUAL



4. Use Screws to fix Support Bracket with J-Box, refer to picture below.



5. Use M4*25 Self-Tapping screw to fix Support Bracket on the Ceiling.



Attention:

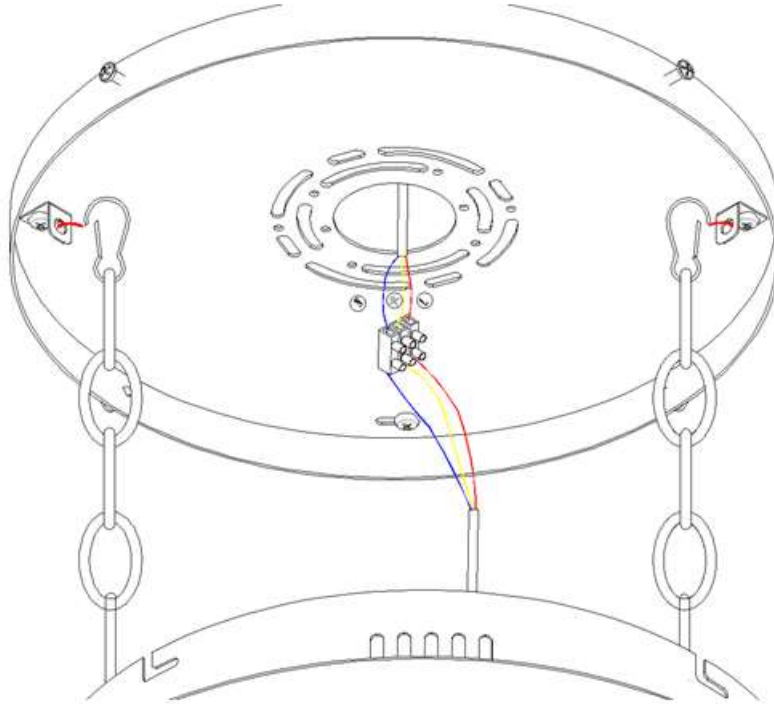
5.1. Must secure mounting plate at all connection points (junction box plus four outer

VERVEL C SERIES (Surface) INSTALLATION MANUAL

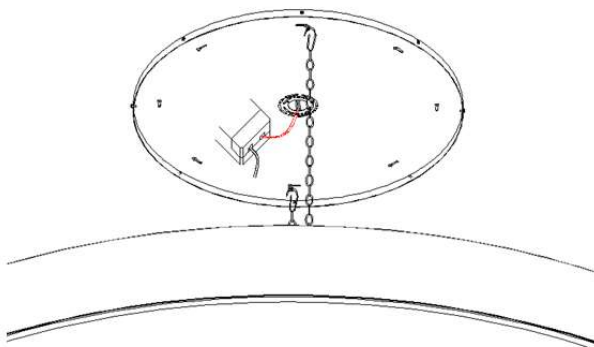
points for small and medium size, or six outer points for large size) to support fixture weight appropriately. Not using all mounting points could damage the fixture and void product warranty.

5.2. The diameter 900mm and 1200mm fixture ,need add 2 safety ropes, we provide L bracket to fix with support Bracket into ceiling.

6. Assemble safety rope with L lock and Bottom Bracket o Ring structure.

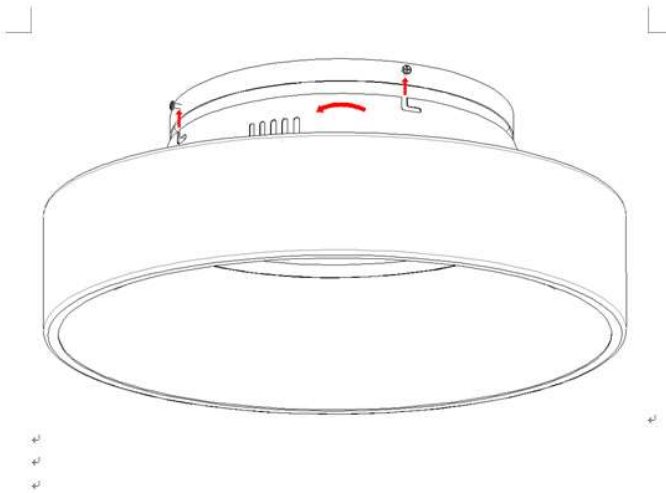


7. Connect wire cable from connector, after finish it, put all the wire connector into J-Box.



8. Keep the Slot hole as vertical line with Side screw, and make screw into slot, then rotate lamp body, finish fix it.

VERVEL C SERIES (Surface) INSTALLATION MANUAL



9. Turn on the electricity, the lamp can be lighted up. After completion of installation, lamp is as below:



Warnings

- The lamp works with ambient temperature is $-20\text{ C} \sim 40\text{ C}$ and humidity $0\sim 95\%$. If environment is out of the range, the product life will be adversely affected.
- This product is only for indoor use, IP20.
- Please TURN OFF POWER before installation. This lamp must be installed and maintained by electrician or qualified personnel.
- Pay attention to fire prevention, electricity and shock resistance.
- Please do not cover the combustibles on the fixture.
- All screws and terminals should be tightened and tightly inserted. No loosening and improper connection are allowed. Attention should be paid to the polarity of components, power supply, driver and so on.

VERVEL C SERIES (SUSPENDED)

INSTALLATION MANUAL

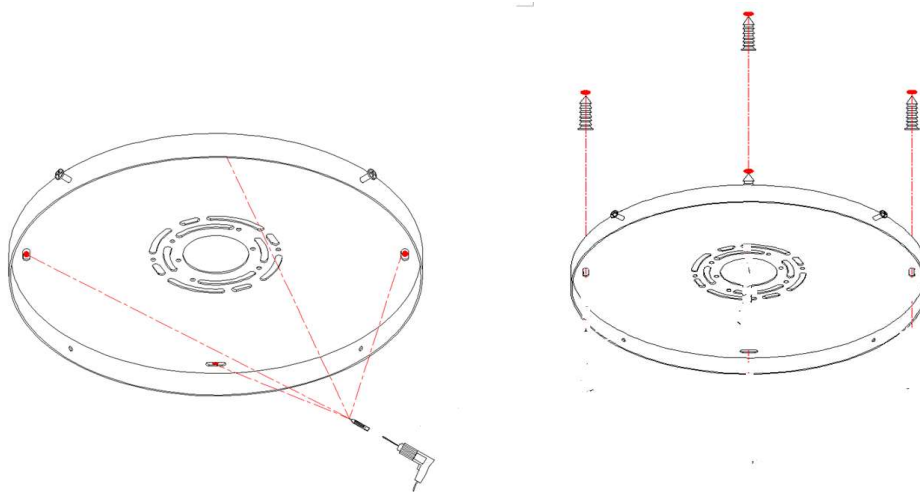


Please read the manual carefully before installing the product and save it for future reference.

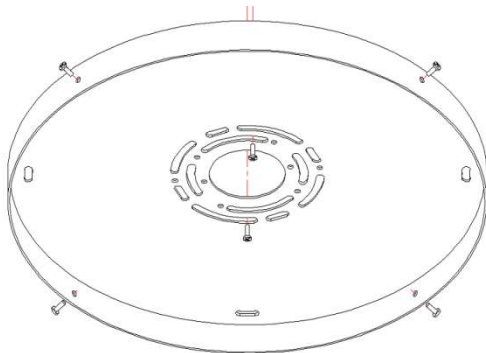
The product has been well inspected on performance and complete packaging before shipment from the factory. All users shall strictly observe the warning and operation instructions stated in this manual. Any damage caused by mis-operation is not within the warranty of New Shine Lighting, and the failures and problems caused by neglecting the operating manual are not in the responsibility of the distributor.

Installation procedure

1. Take the fixture and accessories from the packing box. To ensure that fixture and accessories are complete, put fixture and accessories on the same horizontal surface, downwards the light surface.
2. Take out Plastic Pin, drill holes on the ceiling according to Support Bracket. Fixing hole diameter is 8mm. Insert the expansion bolts into the holes.

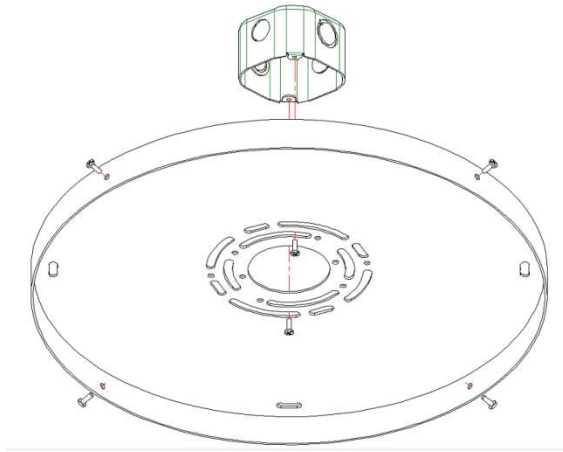


3. Lock M4*25 Screw with Support Bracket from side, keep the distance from screw head to Support Bracket as 5mm.

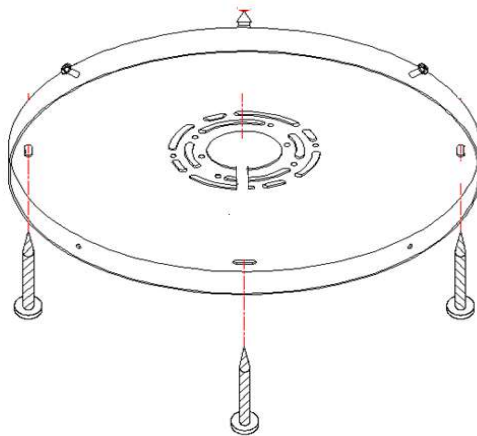


4. Use Screws to fix Support Bracket with J-Box, refer to picture shown below.

VERVEL C SERIES (SUSPENDED) INSTALLATION MANUAL



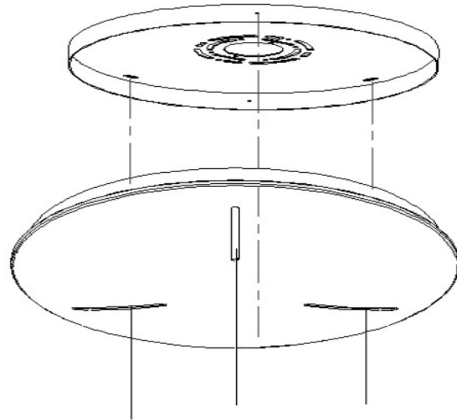
5. Use M4*25 Self-Tapping screw to fix Support Bracket on the ceiling.



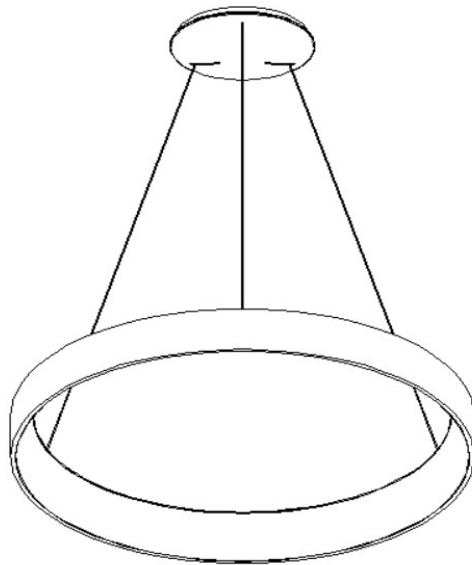
Attention: Must secure mounting plate at all connection points (junction box plus four outer points for small and medium size, or six outer points for large size) to support fixture weight appropriately. Not using all mounting points could damage the fixture and void product warranty.

6. Connect wire cable from connector, after finish it, put all the wire connector into J-Box.
7. Keep the Slot hole as vertical line with side screw, and fix screw into slot, then rotate ceiling disk and fix it. See picture below for reference:

VERVEL C SERIES (SUSPENDED) INSTALLATION MANUAL



8. After finish installing the ceiling disk, the lamp can be hung. Turn on the electricity, the lamp can be lighted up. After completion of installation, lamp is as following.



Warnings

- The lamp works with ambient temperature is $-20\text{ C} \sim 40\text{ C}$ and humidity $0\sim 95\%$. If environment is out of the range, the product life will be adversely affected.
- This product is only for indoor use, IP20.
- Please TURN OFF POWER before installation. This lamp must be installed and maintained by electrician or qualified personnel.
- Pay attention to fire prevention, electricity and shock resistance.
- Please do not cover the combustibles on the fixture.
- All screws and terminals should be tightened and tightly inserted. No loosening and improper connection are allowed. Attention should be paid to the polarity of components, power supply, driver and so on.