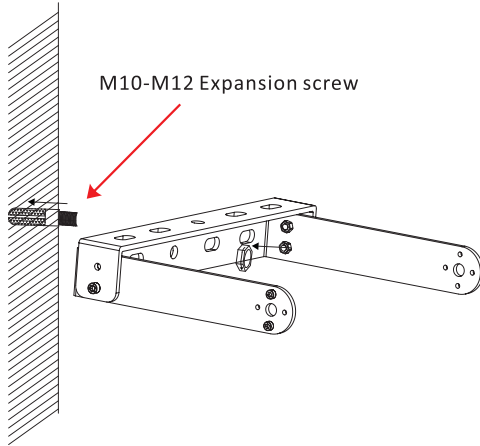
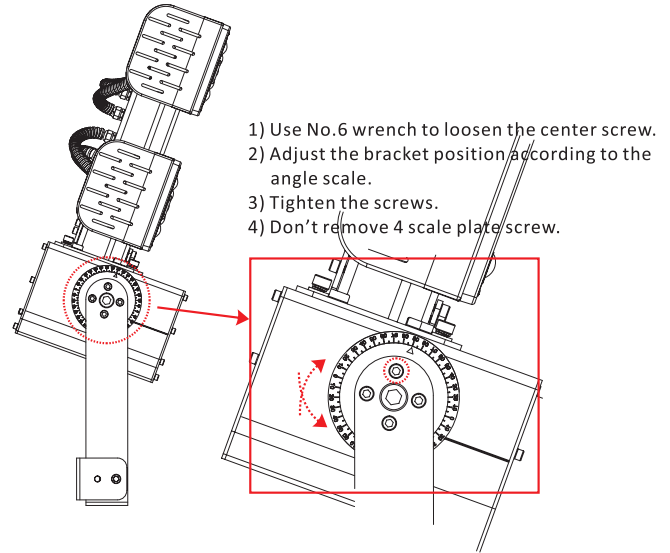


### TRIUMPH

#### 1. Fasten the yoke



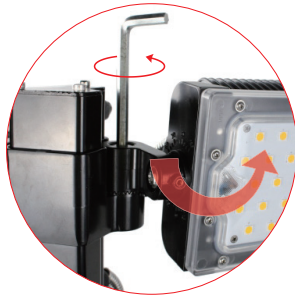
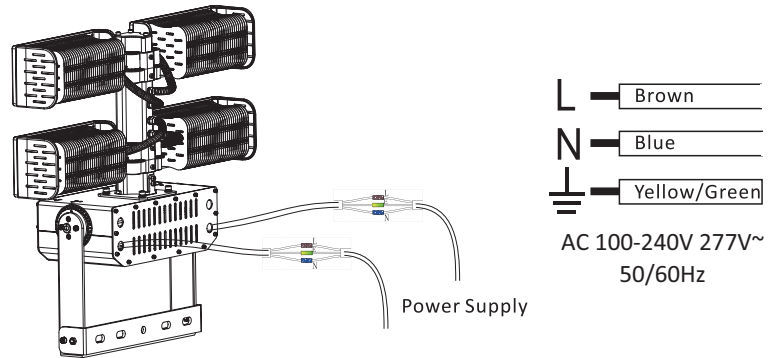
#### 2. Adjust the bracket



#### 3. Adjust the modules (detailed steps below)



#### 4. Wiring



##### 140° Adjustment

1. Use No. 6 wrench to loosen the hexagonal screws
2. Adjust module direction
3. Tighten screw



##### 360° Adjustment

1. Use No. 2.5 wrench to loosen the set screw
2. Adjust module direction
3. Tighten screw