

## TRIUMPH



### Description

The **Triumph** LED Sports Flood Light is a versatile solution for any sports field application. Available in multiple beam angles and color temperatures, this fixture is waterproof, (IP 66 rated), dustproof, and provides superior thermal venting. Operating temperature  $-40^{\circ}$  to  $60^{\circ}\text{C}$  ( $-40\text{F}$  to  $140\text{F}$ ). Standard dimming of 0-10V.

### Features

Features aluminum cooling fin heat sinks for increased heat dissipation and a longer life.

Independently rotatable modules and mounting bracket allow you to aim light precisely where needed.

### Electrical Specifications

Available Wattages: 480W, 720W, 960W, 1200W, 1440W

Lumen Output: 175 LM/WATT (60D, 90D, 120D Optics)

30D Optics 165LM/W

10D Optics 120LM/W

CRI:  $>70$

THD :  $<15\%$

Power Factor:  $>0.95$

Power Efficiency: 0.95

IP Rating: IP66

Beam Angles:  $10^{\circ}/30^{\circ}/60^{\circ}/90^{\circ}/120^{\circ}$

Operating Temperature:  $-40^{\circ}\text{C}$  to  $60^{\circ}\text{C}$  /  $-40^{\circ}\text{F}$  to  $140^{\circ}\text{F}$

Available Voltages: 100-277VAC (UNV) and 277-480VAC (HV)

### Certifications and Warranty

CE, cETL, and DLC Listed with 6 year warranty

Module rotatable  $360^{\circ}$



Module rotatable  $140^{\circ}$



Arc bracket rotatable  $250^{\circ}$



# TRIUMPH 480W



## Product Information

**480W**

Installation:	Yoke
Material:	Aluminum
Finish:	Powder coat
System power (W):	480W
Fixture lumen output (lm):	84000
System efficiency (lm/W): 5000K	175
LED driver:	Meanwell (UNV) / Inventronics (HV)
LED engine:	Philips Lumileds 5050 (Cree 3535 for 10D only)

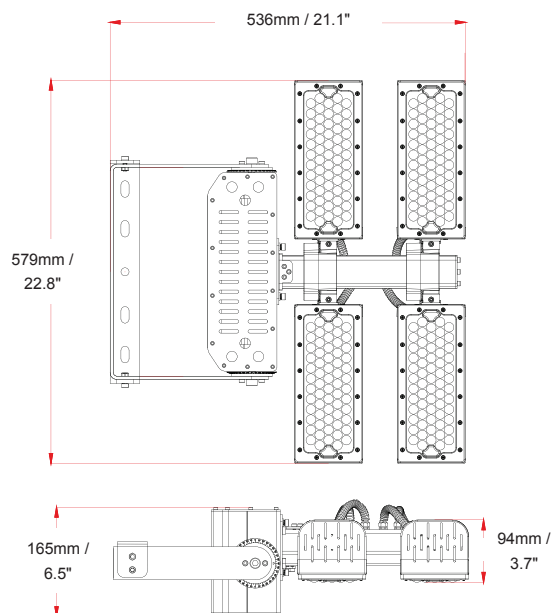
## Packaging

Net weight lamp (kg/lb):	
Gross weight carton (kg/lb):	16 / 35.27
Master carton dimensions (mm/in):	680 x 490 x 380 / 26.78 x 19.29 x 14.96
Quantity per carton:	1

## Code composition

Series	Model	Mounting	Wattage-Lumens	Optics
SFL Sports Flood Light	TRU Triumph	YK Yoke (Standard)	480W-840L 480W-84000lm	10 10D
		SF Slipfitter		30 30D
				60 60D
				90 90D
				120 120D

CCT	CRI	Voltage	Dimming	Finish	Accessories
30K 3000K	70 70+	UNV 100-277V	D 0-10V Dimming	BK Black	NA No Accessories
40K 4000K		HV 277-480V			VS Visor, one-piece (per module)
50K 5000K					PC 3 Pin Photocell
57K 5700K					ID IP68 Inline Disconnecter
65K 6500K					



# TRIUMPH 720W



## Product Information

**720W**

Installation:	Yoke
Material:	Aluminum
Finish:	Powder coat
System power (W):	720W
Fixture lumen output (lm):	126000
System efficiency (lm/W): 5000K	175
LED driver:	Meanwell (UNV) / Inventronics (HV)
LED engine:	Philips Lumileds 5050 (Cree 3535 for 10D only)

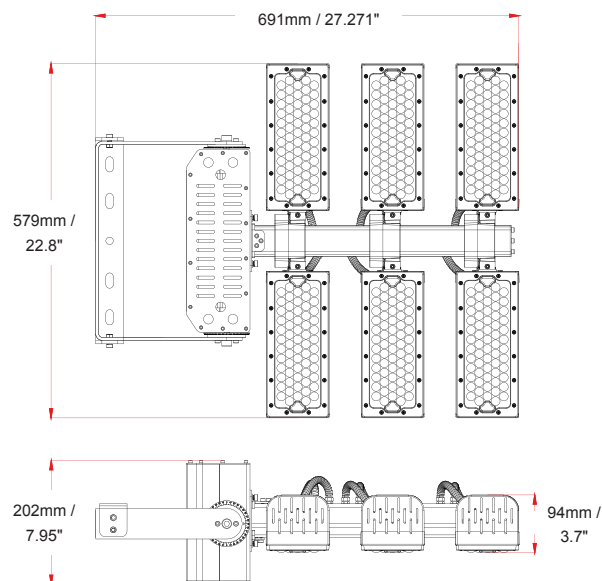
## Packaging

Net weight lamp (kg/lb):	
Gross weight carton (kg/lb):	21 / 46.3
Master carton dimensions (mm/in):	705 x 640 x 380 / 27.76 x 25.2 x 14.96
Quantity per carton:	1

## Code composition

Series	Model	Mounting	Wattage-Lumens	Optics
SFL Sports Flood Light	TRU Triumph	YK Yoke (Standard)	720W-1260L 720W-126000lm	10 10D
		SF Slipfitter		30 30D
				60 60D
				90 90D
				120 120D

CCT	CRI	Voltage	Dimming	Finish	Accessories
30K 3000K	70 70+	UNV 100-277V	D 0-10V Dimming	BK Black	NA No Accessories
40K 4000K		HV 277-480V			VS Visor, one-piece (per module)
50K 5000K					PC 3 Pin Photocell
57K 5700K					ID IP68 Inline Disconnecter
65K 6500K					



# TRIUMPH 960W



## Product Information

**960W**

Installation:	Yoke
Material:	Aluminum
Finish:	Powder coat
System power (W):	960W
Fixture lumen output (lm):	168000
System efficiency (lm/W): 5000K	175
LED driver:	Meanwell (UNV) / Inventronics (HV)
LED engine:	Philips Lumileds 5050 (Cree 3535 for 10D only)

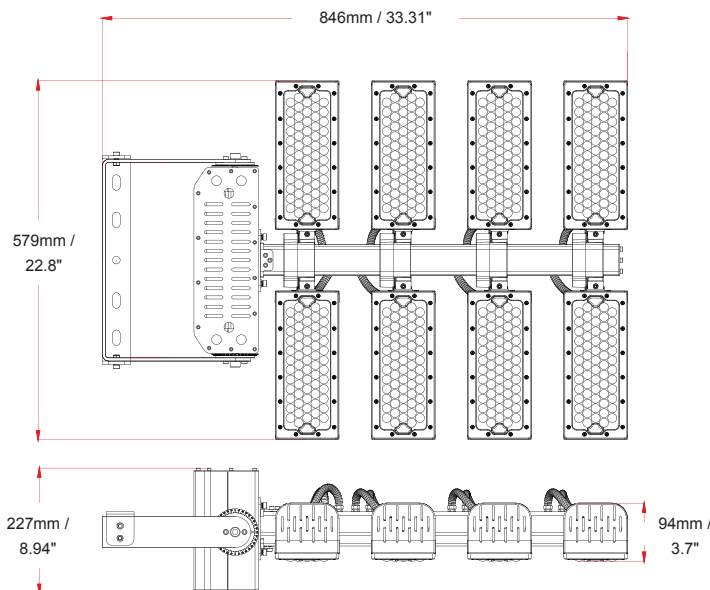
## Packaging

Net weight lamp (kg/lb):	
Gross weight carton (kg/lb):	26 / 57.3
Master carton dimensions (mm/in):	800 x 675 x 380 / 31.5 x 26.58 x 14.96
Quantity per carton:	1

## Code composition

Series	Model	Mounting	Wattage-Lumens	Optics
SFL Sports Flood Light	TRU Triumph	YK Yoke (Standard)	960W-1680L 960W-168000lm	10 10D
		SF Slipfitter		30 30D
				60 60D
				90 90D
				120 120D

CCT	CRI	Voltage	Dimming	Finish	Accessories
30K 3000K	70 70+	UNV 100-277V	D 0-10V Dimming	BK Black	NA No Accessories
40K 4000K		HV 277-480V			VS Visor, one-piece (per module)
50K 5000K					PC 3 Pin Photocell
57K 5700K					ID IP68 Inline Disconnecter
65K 6500K					





# TRIUMPH 1200W



## Product Information

**1200W**

Installation:	Yoke
Material:	Aluminum
Finish:	Powder coat
System power (W):	1200W
Fixture lumen output (lm):	210000
System efficiency (lm/W): 5000K	175
LED driver:	Meanwell (UNV) / Inventronics (HV)
LED engine:	Philips Lumileds 5050 (Cree 3535 for 10D only)

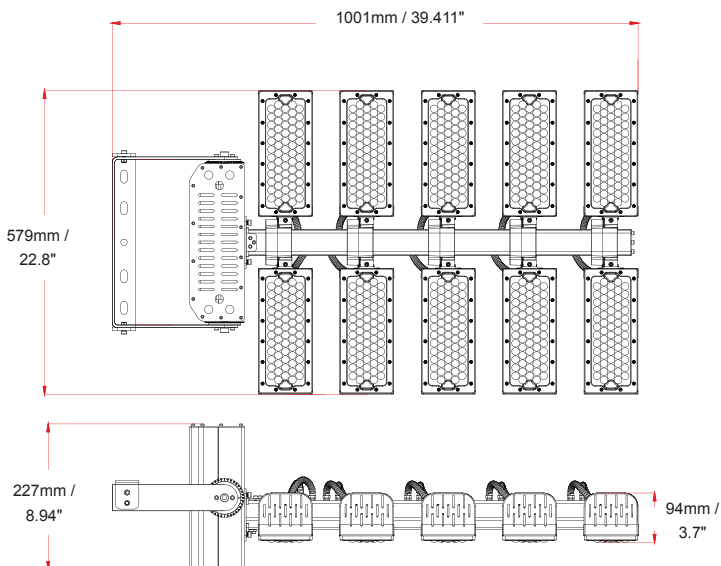
## Packaging

Net weight lamp (kg/lb):	
Gross weight carton (kg/lb):	31 / 68.34
Master carton dimensions (mm/in):	950 x 680 x 400 / 37.4 x 25.2 x 14.96
Quantity per carton:	1

## Code composition

Series	Model	Mounting	Wattage-Lumens	Optics
SFL Sports Flood Light	TRU Triumph	YK Yoke (Standard)	1200W-2100L 1200W-210000lm	10 10D
				30 30D
		SF Slipfitter		60 60D
				90 90D
				120 120D

CCT	CRI	Voltage	Dimming	Finish	Accessories
30K 3000K	70 70+	UNV 100-277V	D 0-10V Dimming	BK Black	NA No Accessories
40K 4000K		HV 277-480V			VS Visor, one-piece (per module)
50K 5000K					PC 3 Pin Photocell
57K 5700K					ID IP68 Inline Disconnecter
65K 6500K					



# TRIUMPH 1440W



## Product Information

**1440W**

Installation:	Yoke
Material:	Aluminum
Finish:	Powder coat
System power (W):	1440W
Fixture lumen output (lm):	252000
System efficiency (lm/W): 5000K	175
LED driver:	Meanwell (UNV) / Inventronics (HV)
LED engine:	Philips Lumileds 5050 (Cree 3535 for 10D only)

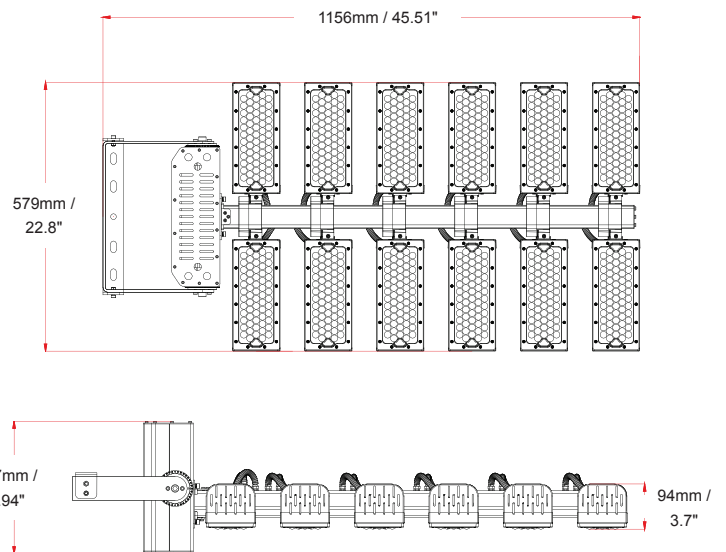
## Packaging

Net weight lamp (kg/lb):	
Gross weight carton (kg/lb):	36 / 79.37
Master carton dimensions (mm/in):	1080 x 680 x 400 / 42.52 x 26.77 x 15.75
Quantity per carton:	1

## Code composition

Series	Model	Mounting	Wattage-Lumens	Optics
SFL Sports Flood Light	TRU Triumph	YK Yoke (Standard)	1440W-2520L 1440W-252000lm	10 10D
		SF Slipfitter		30 30D
				60 60D
				90 90D
				120 120D

CCT	CRI	Voltage	Dimming	Finish	Accessories
30K 3000K	70 70+	UNV 100-277V	D 0-10V Dimming	BK Black	NA No Accessories
40K 4000K		HV 277-480V			VS Visor, one-piece (per module)
50K 5000K					PC 3 Pin Photocell
57K 5700K					ID IP68 Inline Disconnecter
65K 6500K					



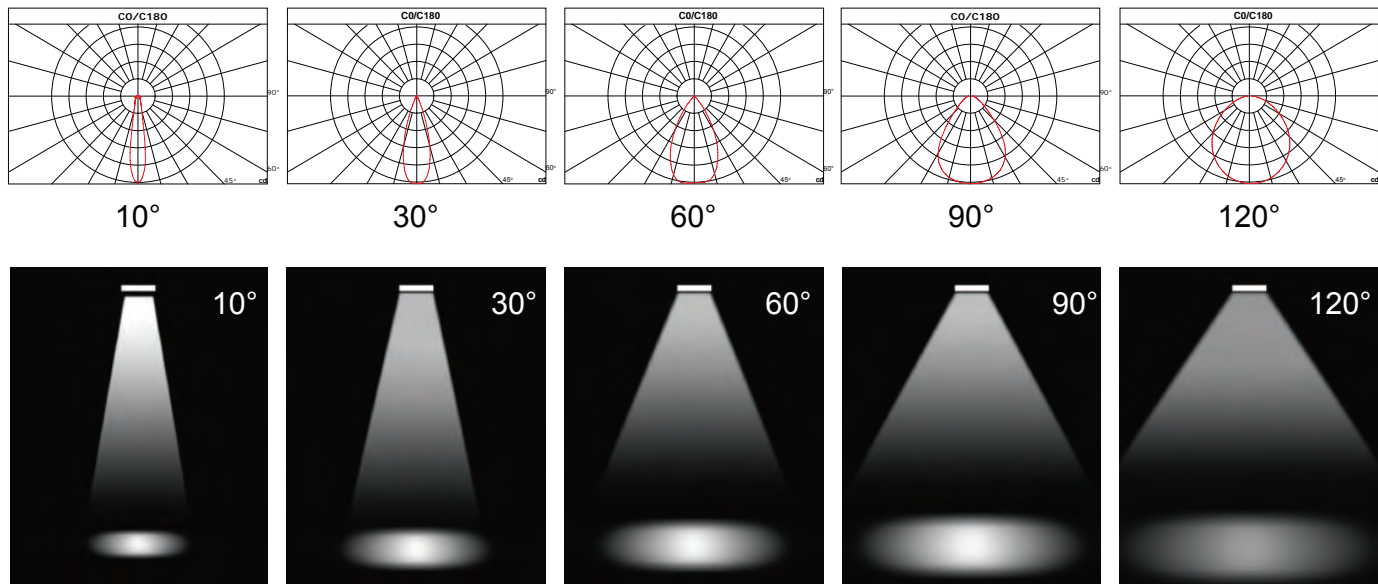
## TRIUMPH BUG TABLE

WATTAGE	OPTIC	BUG RATING
480W	10	B5-U5-G5
480W	30	B5-U3-G4
480W	60	B5-U4-G3
480W	90	B5-U3-G3
480W	120	B5-U3-G4
720W	10	B5-U5-G5
720W	30	B5-U4-G5
720W	60	B5-U5-G4
720W	90	B5-U3-G4
720W	120	B5-U4-G5
960W	10	B5-U5-G5
960W	30	B5-U4-G5
960W	60	B5-U5-G5
960W	90	B5-U4-G4
960W	120	B5-U4-G5

WATTAGE	OPTIC	BUG RATING
1200W	10	B5-U5-G5
1200W	30	B5-U5-G5
1200W	60	B5-U5-G5
1200W	90	B5-U5-G5
1200W	120	B5-U5-G5
1440W	10	B5-U5-G5
1440W	30	B5-U5-G5
1440W	60	B5-U5-G5
1440W	90	B5-U4-G5
1440W	120	B5-U5-G5

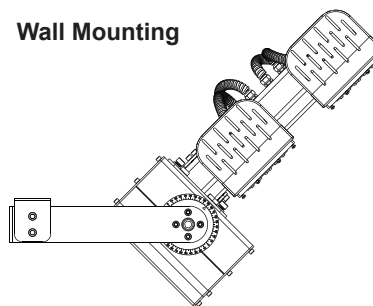
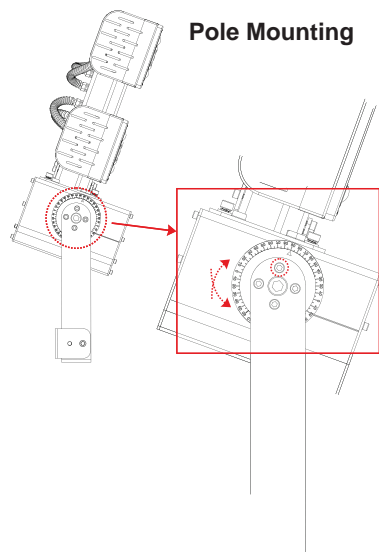
# TRIUMPH

## LIGHT DISTRIBUTION CURVE



## INSTALLATION METHODS

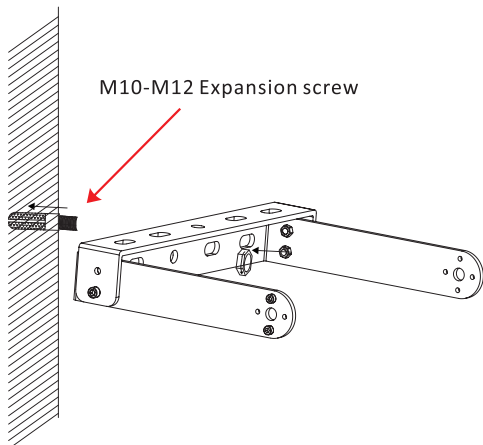
### Yoke Standard



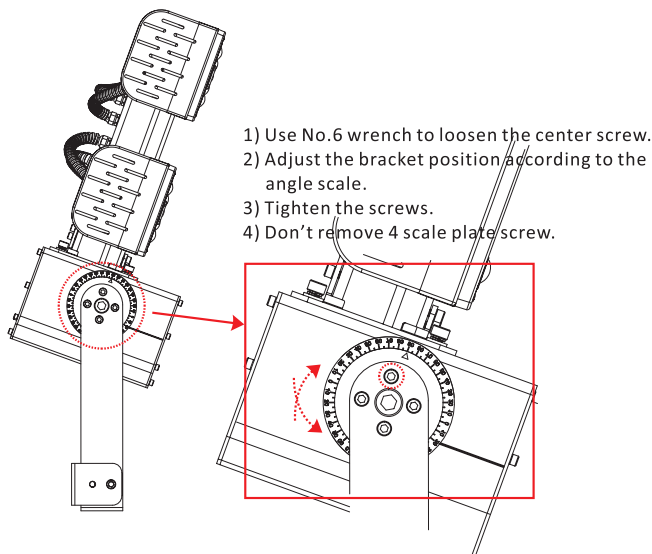
# TRIUMPH

## INSTALLATION INSTRUCTIONS

### 1. Fasten the yoke



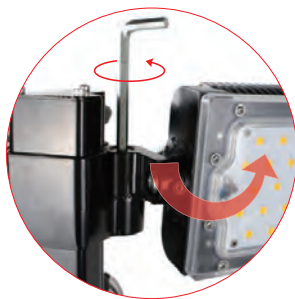
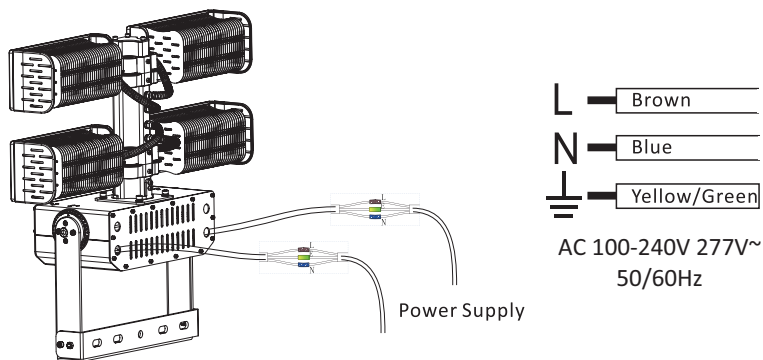
### 2. Adjust the bracket



### 3. Adjust the modules (detailed steps below)



### 4. Wiring



- 140° Adjustment**
1. Use No. 6 wrench to loosen the hexagonal screws
  2. Adjust module direction
  3. Tighten screw

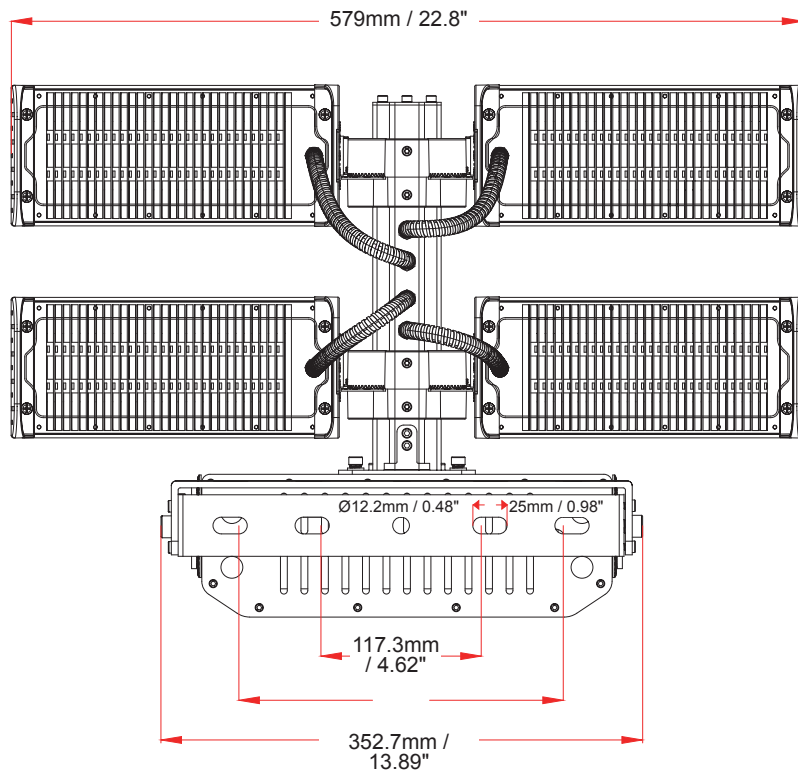
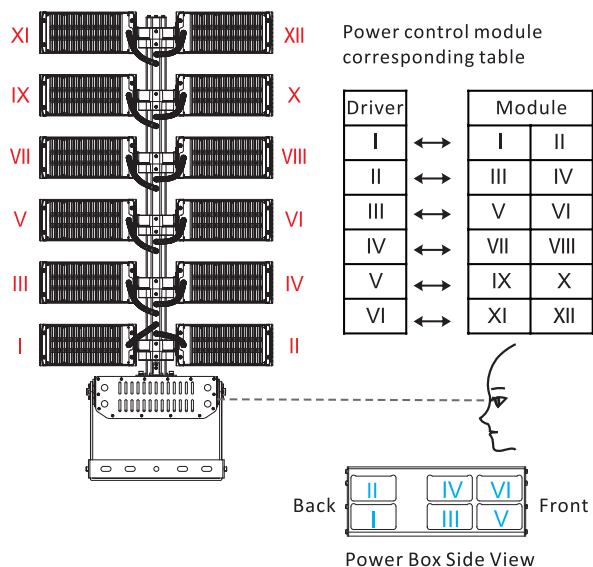


- 360° Adjustment**
1. Use No. 2.5 wrench to loosen the set screw
  2. Adjust module direction
  3. Tighten screw

⚠ Tips: Hole ① ③ ⑤ must fix with screws.

# TRIUMPH

## DRIVER BOX DETAILS



## SLIP FITTER DIMENSIONS

