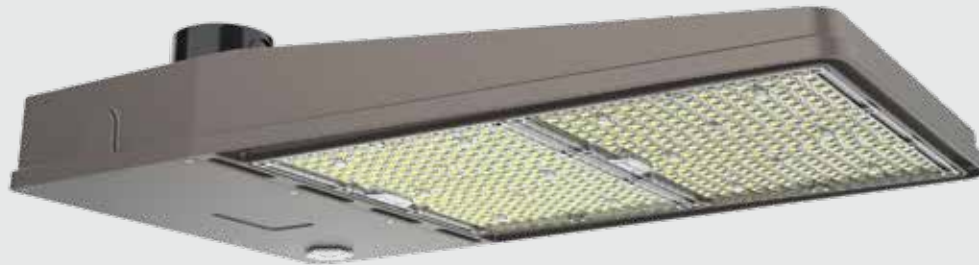




SUPERIOR AREA LIGHT GEN 2 SERIES



Description

The **Superior Area Light Gen 2** series is an exceptional mixture of value and performance. The product range has been upgraded to reach very high efficacy up to 140lm/W and cover lumen packages between 8400-42000lm. The range includes 480V high voltage and various sensor versions for energy savings.

The SAL Gen 2 is suitable for a multitude applications such as parking lots and streets, outdoor basketball court, tennis court, badminton court, football field, school playground, stadium, walkways and building grounds.

There are different finishes to choose from, Dark Bronze (DB-RAL#8019), Black (BK), and White (WH).

Custom colors are also available.

All fixtures include a 3 pin socket for a photocell complete with shorting cap. All fixtures also include a knock out to field install an occupancy sensor.

Optional Field Installable Side and Back Shields are also available
1-10V dimming standard.

IK10 Rated.

Electrical Specifications

Available Wattages: 60W, 100W, 150W, 200W, 240W, 300W

IP Rating: IP66

Lumen Maintenance @L70: >120,000 hours

LED Engine: Lumileds

LED Driver: Tomcarline

Colour Rendering Index: >80

Power Factor: >0.95

Frequency: 47-63 Hz

Standard Surge Protection: 6kV

Storage Temperature: -40°C to 80°C/ -40°F to 176°F

Ambient Temperature: -30°C to 55°C/ -22°F to 131°F

Available Voltages: 100-277VAC and 200-480VAC

Safety Protection: Open circuit protection; short circuit protection,

Overvoltage protection Comes with standard cord length of 0.5m (1.64ft)

EPA Rating:

60W: 0.267 ft² , 100W-150W: 0.286 ft² , 200W-300W: 0.421 ft²

Certifications and Warranty

CE, UL and DLC listed with 6 year warranty

Power	Beam Angle (50%)	BUG Rating
60W	N/A	N/A
100W	T2	B3-U0-G3
150W	T2	B3-U0-G3
200W	T2	B4-U0-G4
240W	T2	B4-U0-G4
300W	T2	B4-U0-G4
60W	T3	B2-U0-G2
100W	T3	B3-U0-G3
150W	T3	B3-U0-G3
200W	T3	B4-U0-G4
240W	T3	B4-U0-G4
300W	T3	B4-U0-G4
60W	T4	B2-U0-G2
100W	T4	B3-U0-G3
150W	T4	B3-U0-G3
200W	T4	B3-U0-G4
240W	T4	B4-U0-G4
300W	T4	B4-U0-G4
60W	T5	B3-U0-G1
100W	T5	B3-U0-G2
150W	T5	B4-U0-G2
200W	T5	B5-U0-G2
240W	T5	B5-U0-G2
300W	T5	B5-U0-G2

Superior Gen 2 60W



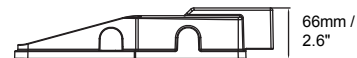
Product Information

60W

Installation:	Arm, Wall Mount Arm, Slip Fitter and Trunnion
Material:	Die-cast aluminum
Finish:	Powder coat
System power (W):	60
Fixture lumen output (lm):	8400
System efficiency (lm/W):	140

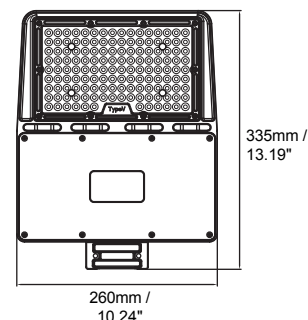
Packaging

Net weight lamp (kg/lb):	3.8 / 8.38
Gross weight carton (kg/lb):	4.3 / 9.45
Master carton dimensions (mm/in):	440x355x135 / 17.32x13.98x5.31
Quantity per carton:	1



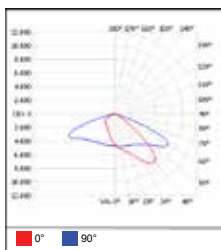
Code composition

Series	Model	Mounting	Wattage-Lumens	Optics
AL	Area Light	SAL2 Superior Gen 2	60W-84L 60W-8400lm	T3 Type III
		AR Arm		T4 Type IV
		WAR Wall Mount Arm		T5 Type V
		SF Slip Fitter		
		TRN Trunnion		

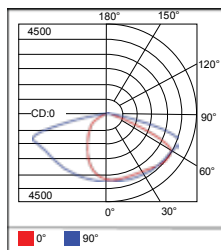


CCT	CRI	Voltage	Dimming	Finish	Accessories
30K 3000K	80 80+	UNV 100-277V	D 1-10V Dimming	DB Dark Bronze	NA No Accessories
40K 4000K		HV 200-480V		(Standard)	PC Photocell
50K 5000K				BK Black	PCS 7Pin Photocell Socket (UNV ONLY)
				WH White	SPD10 10KV Surge Protection Device
					OS Microwave Occupancy Sensor
					RC Remote Control
					BS Back Shield
					SS Side Shield

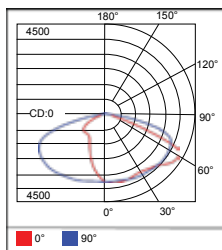
60W-T2-4000K-CRI80



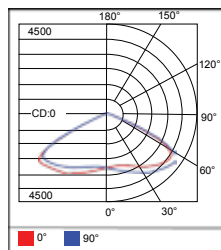
60W-T3-4000K-CRI80



60W-T4-4000K-CRI80



60W-T5-4000K-CRI80



Superior Gen 2 100W



Product Information

100W

Installation:	Arm, Wall Mount Arm, Slip Fitter and Trunnion
Material:	Die-cast aluminum
Finish:	Powder coat
System power (W):	100
Fixture lumen output (lm):	14000
System efficiency (lm/W):	140



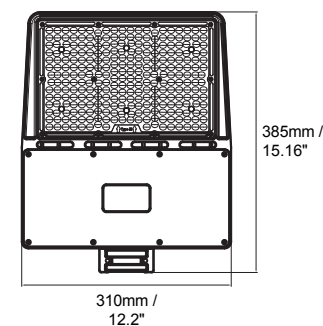
Packaging

Net weight lamp (kg/lb):	4.00 / 8.82
Gross weight carton (kg/lb):	4.50 / 9.92
Master carton dimensions (mm/in):	440x355x135 / 17.32x13.98x5.31
Quantity per carton:	1



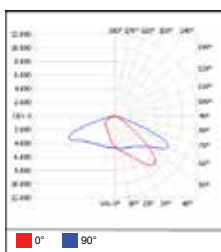
Code composition

Series	Model	Mounting	Wattage-Lumens	Optics
AL	Area Light	SAL2 Superior Gen 2	100W-140L 100W-14000lm	T2 Type II
		AR Arm		T3 Type III
		WAR Wall Mount Arm		T4 Type IV
		SF Slip Fitter		T5 Type V
		TRN Trunnion		

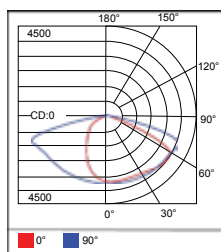


CCT	CRI	Voltage	Dimming	Finish	Accessories
30K 3000K	80 80+	UNV 100-277V	D 1-10V Dimming	DB Dark Bronze (Standard)	NA No Accessories
40K 4000K		HV 200-480V		BK Black	PC Photocell
50K 5000K				WH White	PCS 7Pin Photocell Socket (UNV ONLY)
					SPD10 10KV Surge Protection Device
					OS Microwave Occupancy Sensor
					RC Remote Control
					BS Back Shield
					SS Side Shield

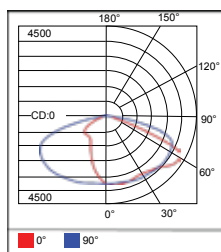
100W-T2-4000K-CRI80



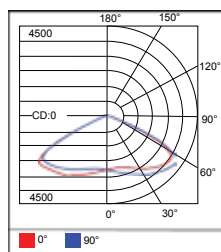
100W-T3-4000K-CRI80



100W-T4-4000K-CRI80



100W-T5-4000K-CRI80



Superior Gen 2 150W



Product Information

150W

Installation:	Arm, Wall Mount Arm, Slip Fitter and Trunnion
Material:	Die-cast aluminum
Finish:	Powder coat
System power (W):	150
Fixture lumen output (lm):	21000
System efficiency (lm/W):	140



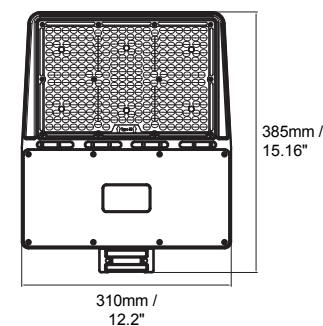
Packaging

Net weight lamp (kg/lb):	5.8 / 12.79
Gross weight carton (kg/lb):	6.4 / 14.11
Master carton dimensions (mm/in):	485x405x135 / 19.09x15.84x5.31
Quantity per carton:	1



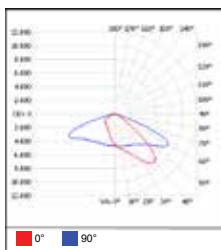
Code composition

Series	Model	Mounting	Wattage-Lumens	Optics
AL	Area Light	SAL2	Superior Gen 2	AR Arm
		SF		SF Slip Fitter
		TRN		TRN Trunnion
		WAR		WAR Wall Mount Arm
			150W-210L	T2 Type II
			150W-21000lm	T3 Type III
				T4 Type IV
				T5 Type V

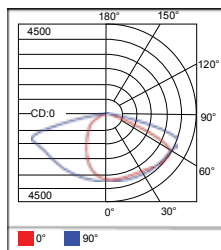


CCT	CRI	Voltage	Dimming	Finish	Accessories
30K	3000K	80 80+ UNV 100-277V	D 1-10V Dimming	DB Dark Bronze (Standard)	NA No Accessories
40K	4000K	HV 200-480V		BK Black	PC Photocell
50K	5000K			WH White	PCS 7Pin Photocell Socket (UNV ONLY)
					SPD10 10KV Surge Protection Device
					OS Microwave Occupancy Sensor
					RC Remote Control
					BS Back Shield
					SS Side Shield

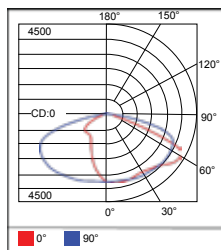
150W-T2-4000K-CRI80



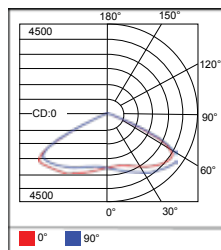
150W-T3-4000K-CRI80



150W-T4-4000K-CRI80



150W-T5-4000K-CRI80



Superior Gen 2 200W



Product Information

200W

Installation:	Arm, Wall Mount Arm, Slip Fitter and Trunnion
Material:	Die-cast aluminum
Finish:	Powder coat
System power (W):	200
Fixture lumen output (lm):	28000
System efficiency (lm/W):	140

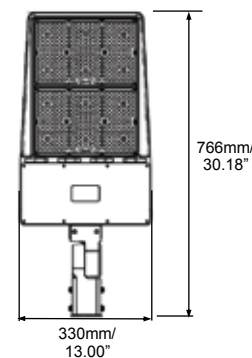
Packaging

Net weight lamp (kg/lb):	6.1 / 13.45
Gross weight carton (kg/lb):	6.8 / 14.99
Master carton dimensions (mm/in):	485x405x135 / 19.09x15.94x5.31
Quantity per carton:	1



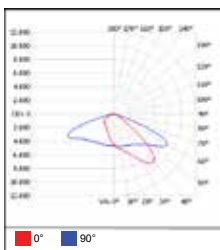
Code composition

Series	Model	Mounting	Wattage-Lumens	Optics		
AL	Area Light	SAL2	Superior Gen 2	AR Arm SF Slip Fitter TRN Trunnion WAR Wall Mount Arm	200W-280L 200W-28000lm	T2 Type II T3 Type III T4 Type IV T5 Type V

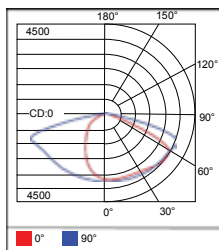


CCT	CRI	Voltage	Dimming	Finish	Accessories
30K	3000K	80 80+ UNV 100-277V	D 1-10V Dimming	DB Dark Bronze (Standard)	NA No Accessories
40K	4000K	HV 200-480V		BK Black	PC Photocell
50K	5000K			WH White	PCS 7Pin Photocell Socket (UNV ONLY) SPD10 10KV Surge Protection Device OS Microwave Occupancy Sensor RC Remote Control BS Back Shield SS Side Shield

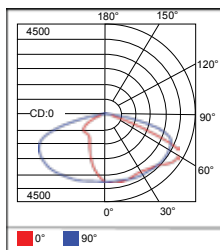
200W-T2-4000K-CRI80



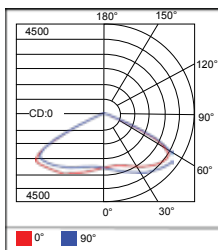
200W-T3-4000K-CRI80



200W-T4-4000K-CRI80



200W-T5-4000K-CRI80



Superior Gen 2 240W



Product Information

240W

Installation:	Arm, Wall Mount Arm, Slip Fitter and Trunnion
Material:	Die-cast aluminum
Finish:	Powder coat
System power (W):	240
Fixture lumen output (lm):	33600
System efficiency (lm/W):	140

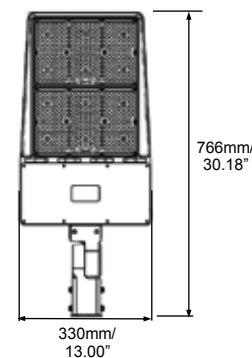
Packaging

Net weight lamp (kg/lb):	7.7 / 16.98
Gross weight carton (kg/lb):	8.5 / 18.74
Master carton dimensions (mm/in):	675x425x140 / 26.57x16.73x5.51
Quantity per carton:	1



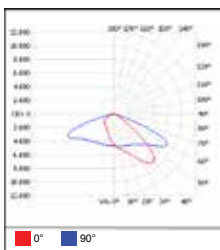
Code composition

Series	Model	Mounting	Wattage-Lumens	Optics
AL	Area Light	SAL2 Superior Gen 2	240W-336L 240W-33600lm	T2 Type II
		SF Slip Fitter		T3 Type III
		TRN Trunnion		T4 Type IV
		WAR Wall Mount Arm		T5 Type V

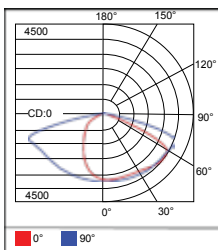


CCT	CRI	Voltage	Dimming	Finish	Accessories
30K 3000K	80 80+	UNV 100-277V	D 1-10V Dimming	DB Dark Bronze	NA No Accessories
40K 4000K		HV 200-480V		(Standard)	PC Photocell
50K 5000K				BK Black	PCS 7Pin Photocell Socket (UNV ONLY)
				WH White	SPD10 10KV Surge Protection Device
					OS Microwave Occupancy Sensor
					RC Remote Control
					BS Back Shield
					SS Side Shield

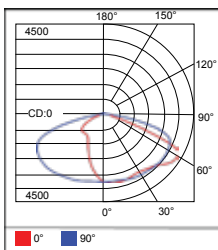
240W-T2-4000K-CRI80



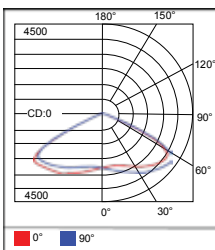
240W-T3-4000K-CRI80



240W-T4-4000K-CRI80



240W-T5-4000K-CRI80



Superior Gen 2 300W



Product Information

300W

Installation:	Arm, Wall Mount Arm, Slip Fitter and Trunnion
Material:	Die-cast aluminum
Finish:	Powder coat
System power (W):	300
Fixture lumen output (lm):	42000
System efficiency (lm/W):	140

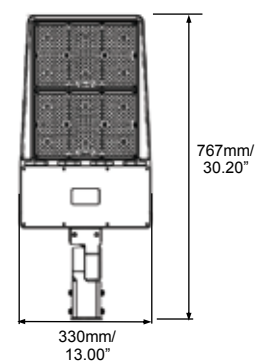
Packaging

Net weight lamp (kg/lb):	8.5 / 18.74
Gross weight carton (kg/lb):	9.3 / 20.50
Master carton dimensions (mm/in):	675x425x140 / 26.57x16.73x5.51
Quantity per carton:	1



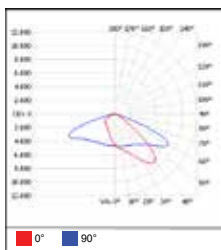
Code composition

Series	Model	Mounting	Wattage-Lumens	Optics
AL	Area Light	SAL2 Superior Gen 2	300W-420L 300W-42000lm	T2 Type II
		SF Slip Fitter		T3 Type III
		TRN Trunnion		T4 Type IV
		WAR Wall Mount Arm		T5 Type V

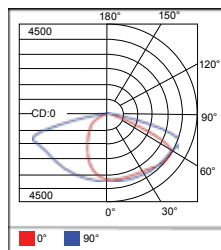


CCT	CRI	Voltage	Dimming	Finish	Accessories
30K 3000K	80 80+	UNV 100-277V	D 1-10V Dimming	DB Dark Bronze (Standard)	NA No Accessories
40K 4000K		HV 200-480V		BK Black	PC Photocell
50K 5000K				WH White	PCS 7Pin Photocell Socket (UNV ONLY)
					SPD10 10KV Surge Protection Device
					OS Microwave Occupancy Sensor
					RC Remote Control
					BS Back Shield
					SS Side Shield

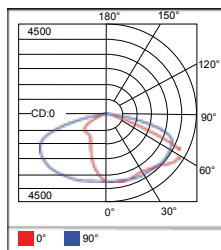
300W-T2-4000K-CRI80



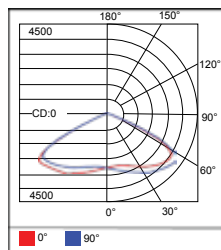
300W-T3-4000K-CRI80



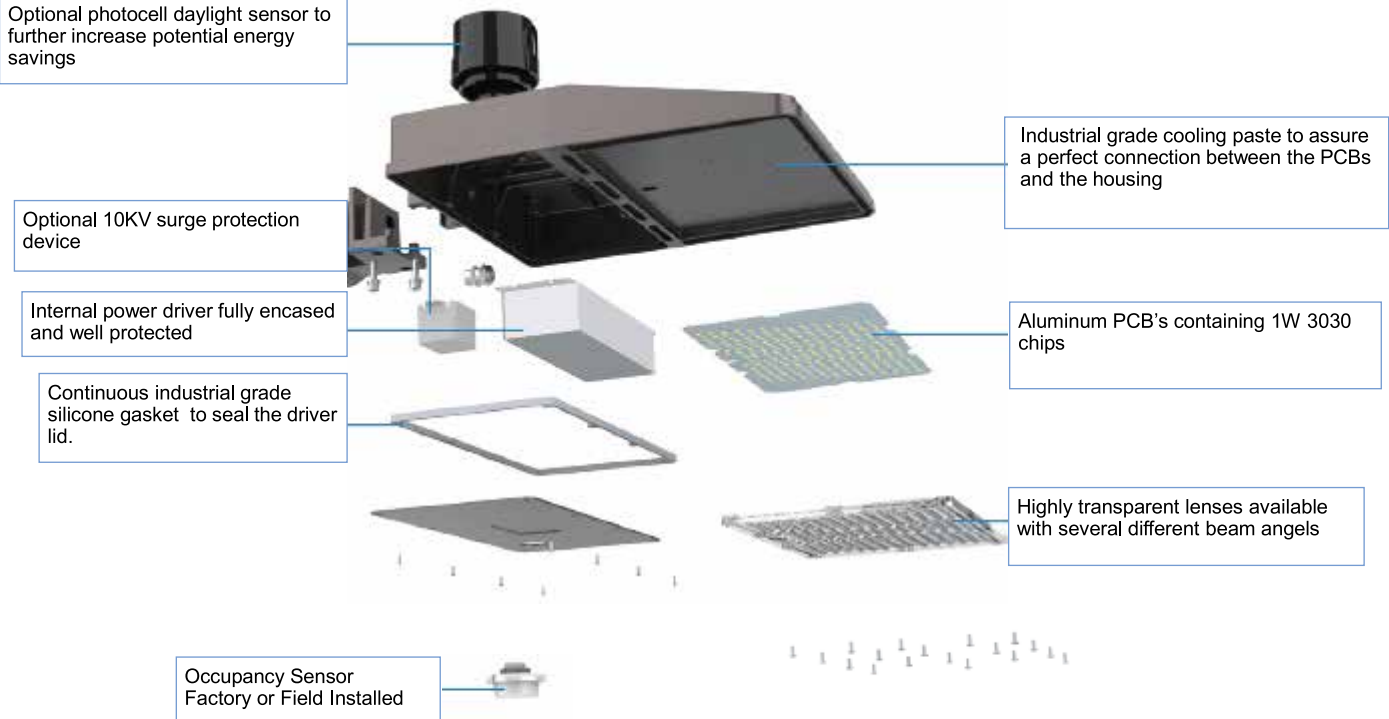
300W-T4-4000K-CRI80



300W-T5-4000K-CRI80



SUPERIOR GEN 2 COMPONENTS



SUPERIOR GEN 2 Photocell



Photocell

SUPERIOR GEN 2 Occupancy Sensor



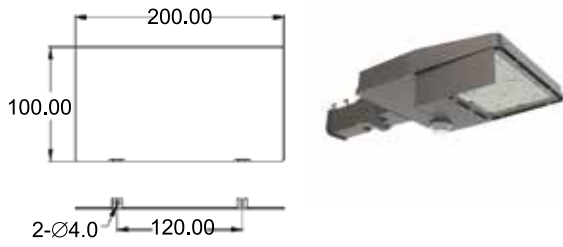
Occupancy Sensor

	KEY	FUNCTION	KEY	FUNCTION
		Press the on/off button, the light goes to permanent on or permanent off mode, the sensor is locked „MUST Press“AUTO“ to quit from this mode.		Press "Auto" button, the sensors starts to work automatically and all parameters remains the same as the latest status in auto mode.
		Display current parameters		The button "Test" is for testing purpose sensitivity only, the sensor goes to test mode (hold time is only 2s) automatically after commissioning, meanwhile the stand-by period and daylight sensor are disabled. Press "AUTO" to quit from this mode.
		upload the selected parameters to sensors		When the light level exceeds this setting, the lights will turn off even when the space is occupied. Once the light level exceeds this setting, the sensor will wait and monitor for 1 mins in order to confirm the light level increase is not temporary before forcing the lights to go off. When light level goes below the settings, the light will turn on even without motion detection after 1min. This feature is disabled by default. If want to open this setting, just press , choose daylight sensor setpoint on/off.
		Enter in the setting condition and navigate to UP and Down		
		Navigate to Right and Left		
		Confirm selected parameters and saving		Four modes with existing parameters which are available to be updated and saved in Modes
		Default settings: 		
	BRIGHTNESS	Adjust the light brightness during hold time.		DAYLIGHT SENSOR
	SENSITIVITY	Adjust sensor sensitivity		
	HOLD TIME	The time of light fixture remains at programmed 70%/80%/100% level after motion is not detected		STAND-BY DIM
STAND-BY TIME	Select stand-by period at 1min/30min / 60min/+∞; Note: "+∞" means bi-level dimming control, fixture never switches off.	Select the stand-by dimming level at 0%/ 10%/30%/ 50%; Note: "0%" means on/off control;		

RC-100 Remote Control (For Occupancy Sensor Only)

Superior Gen2 Field Installable Side and Back Shields

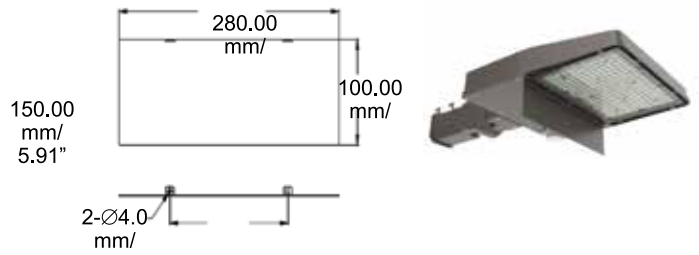
Side Shield Dimensions



Side Shield (SS)

Left/Right Side Shield (200 mm x 100 mm)
 One size and 1 pc for 60W-150W (each side) and 2pcs for 200W-300W (each side)

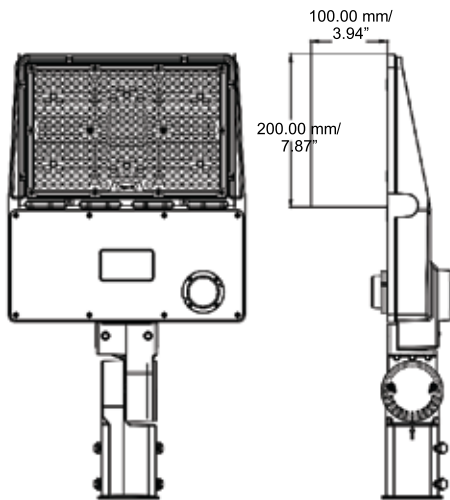
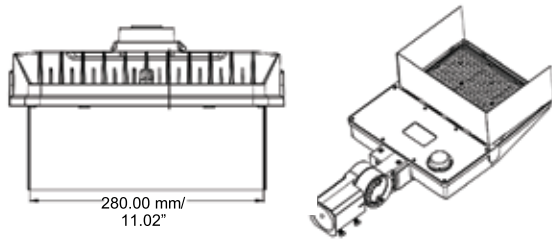
Back Shield Dimensions



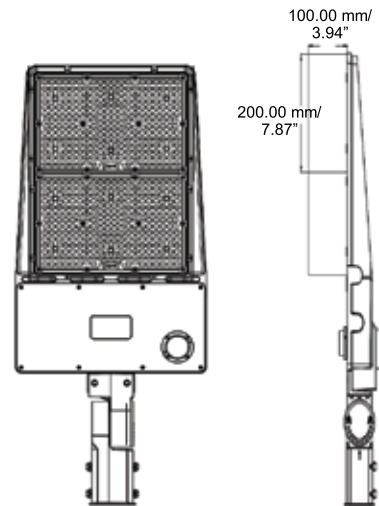
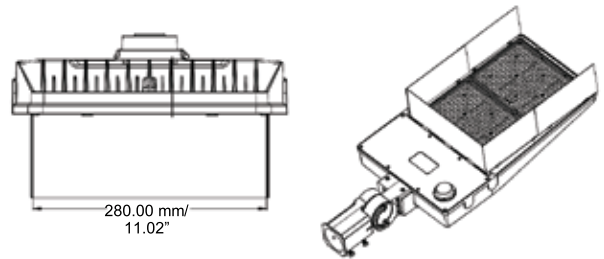
Back Shield (BS)

Back Side Shield (280 mm x 100 mm)
 One size and one piece for all wattages

SAL GEN 2 (60/100/150)W with Side Shields



SAL GEN 2 (200/240/300)W with Side Shields



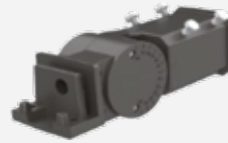
Superior Gen2 Mounting Options



Wall Mount Arm



Arm

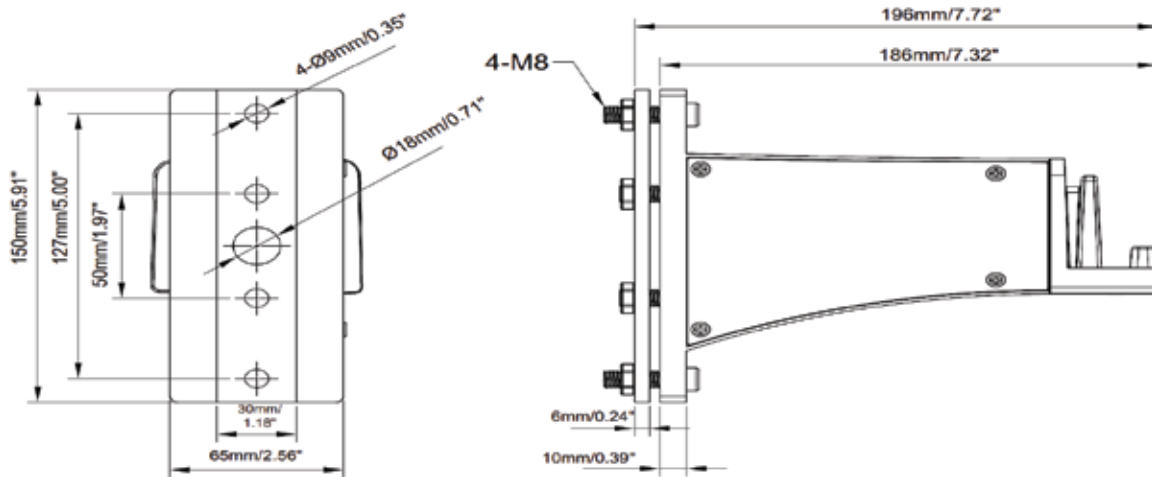


Slip Fitter

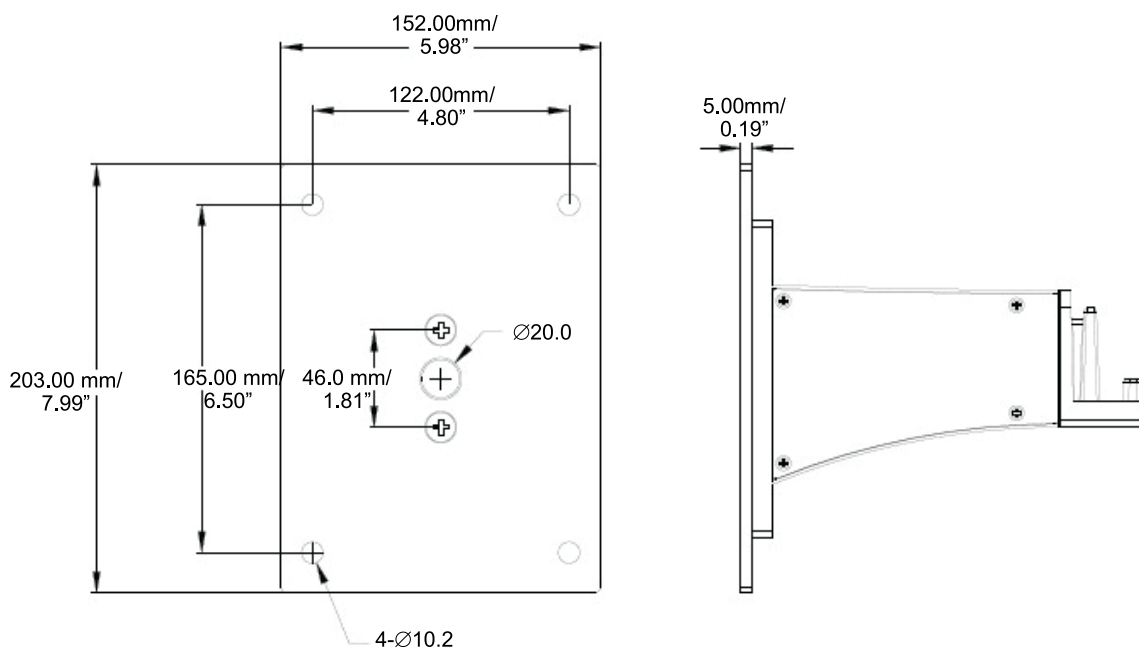


Trunion

Arm Dimensions

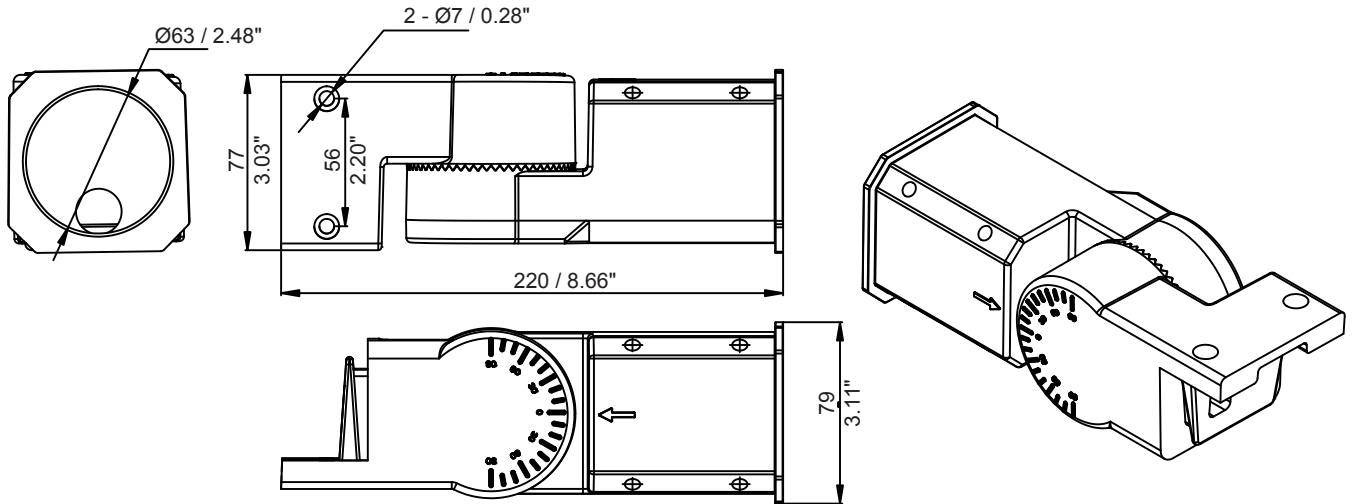


Wall Mount Arm Dimensions

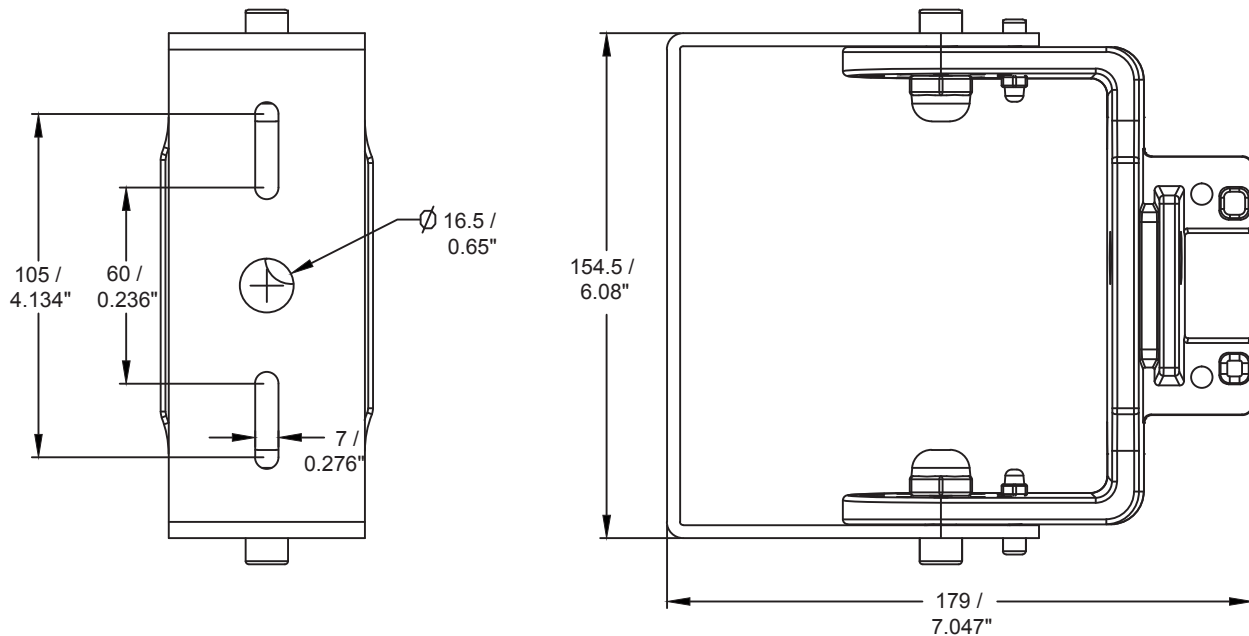


Superior Gen2 Mounting Options

Slip Fitter Dimensions

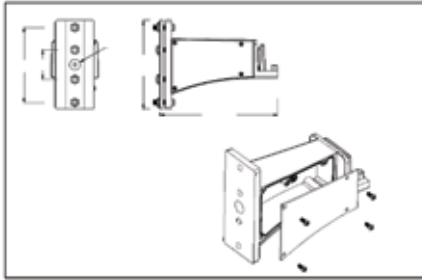


Trunion Dimensions

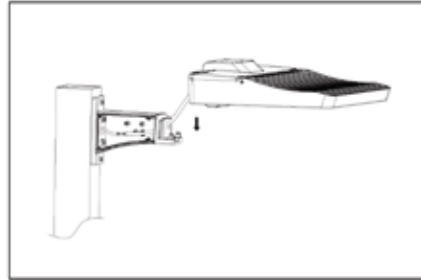


Installation

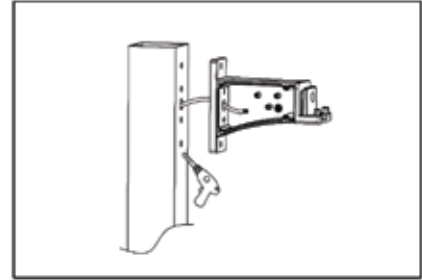
Arm Mounting for Square Pole



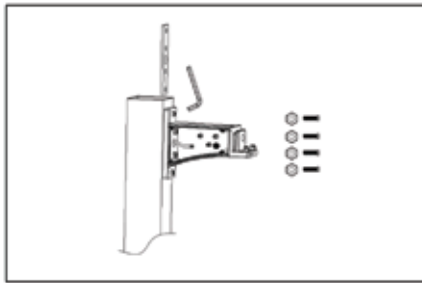
1. Remove the screws from the mounting arm and move the cover plate.



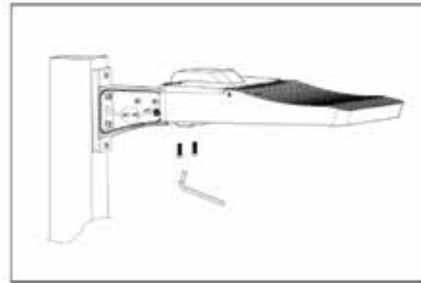
2. Drill holes in the pole corresponding to the holes on the mounting arm, at the position you want to install the fixture, then bring in the electric supply line through the middle hole into the mounting arm. fitter bracket



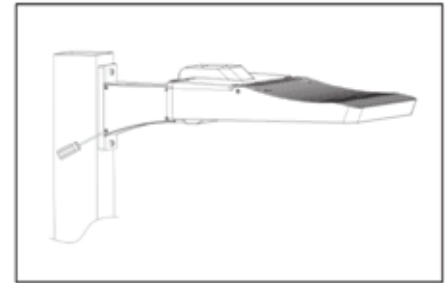
3. Put the bracket reinforcement board in the lamp square pole and fix the bracket on the lamp pole through tight four M8 screws fitter bracket



4. Bring in the power line through the hole into the arm and fix the luminaire on the mounting arm fitter bracket .

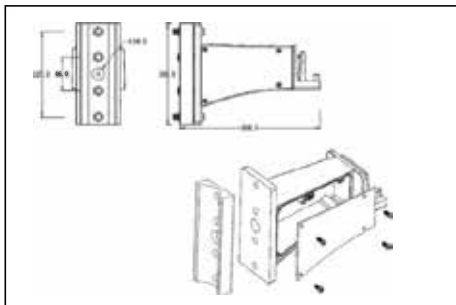


5. Tighten 2 M6 screws and then connect power supply AC 100V-277V.

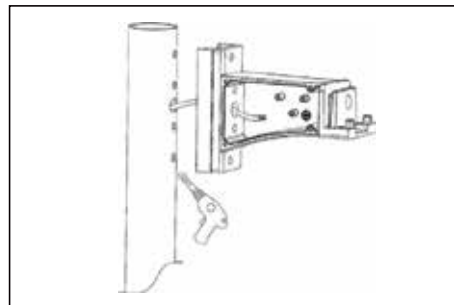


6. Close the arm cover plate through locking 4 M4 screws.

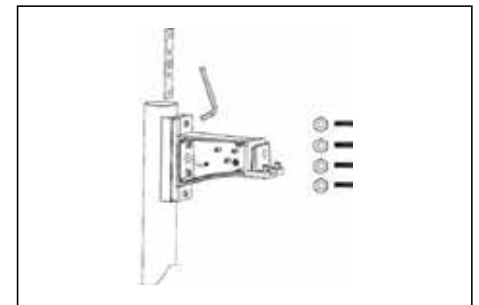
Arm Mounting for Round Pole



1. Remove the screws from the round mounting arm and move the cover plate.



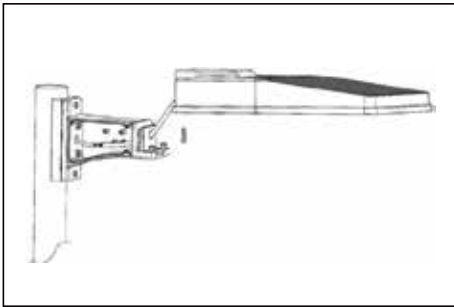
2. Drill holes in the round pole corresponding to the holes on the mounting arm, at the position you want to install the fixture, then bring in the electric supply line through the middle hole into the mounting arm.



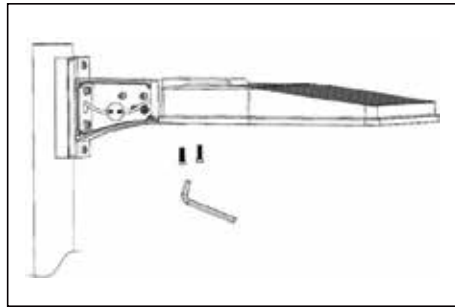
3. Put the bracket reinforcement board in the lamp round pole and fix the bracket on the lamp pole through tight four M8 screws.

Installations

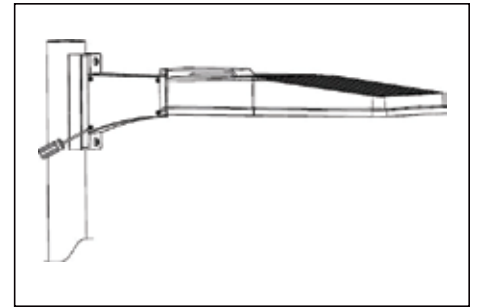
Arm Mounting for Round Pole



4. Bring in the power line through the hole into the arm and fix the lamp on the mounting arm.

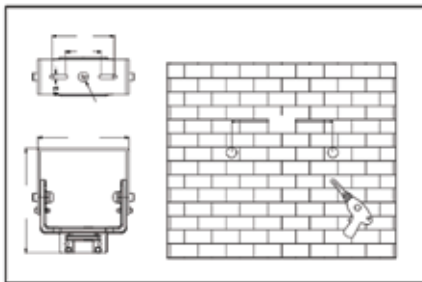


5. Tighten 2 M6 screws and then connect power supply AC 100V-277V.

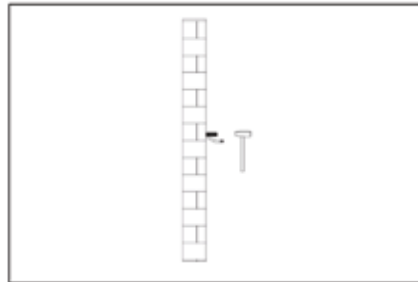


6. Close the arm cover plate through locking 4 M4 screws.

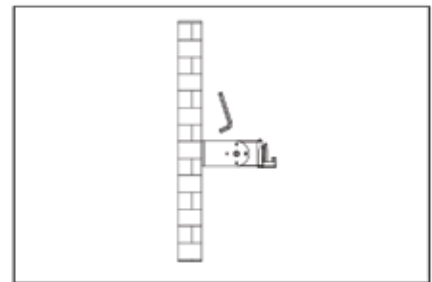
Trunnion Mounting



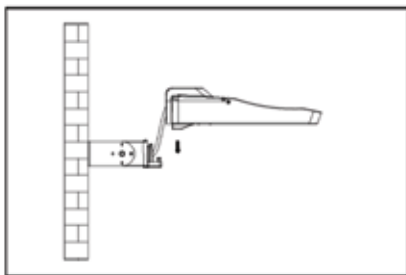
1. Drill two holes in the wall corresponding to the holes in the mounting bracket, at the position you want to install the fixture.



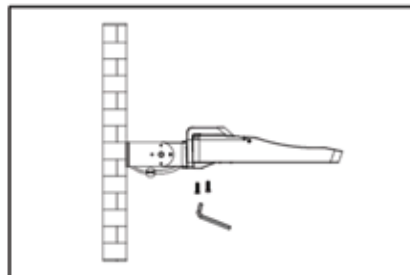
2. Install expansion screws



3. Fix the bracket tightly on the installation parts in the wall.



4. Connect the power line and attach luminaire to the bracket



5. Lock two M6 screws tightly and connect the power supply AC 100-277V.