

## SUPERIOR SERIES



### Description

The **Superior Area Light (SAL)** is a sleek and modern high-performance, low profile LED area light that is Dark Sky Friendly. It has been designed to handle any environment. With a beautiful slimline design along with one of the highest lumen packages on the market today. This versatile fixture can be used as a floodlight or an area light. It includes a multitude of mounting options, surge protection devices, photocell and occupancy sensor capability, and the most technologically advanced LED's on the market, the SAL is ready to dominate the lighting area landscape. 1-10V dimming standard.

Please note standard colour is RA7022 Umbra Grey.

### Features

The uniform PC lens is easy to maintain and replace. The integrated cooling fins provides excellent thermal dissipation. This superior design allows the fixture to have extremely long life hours. SAL is IP66 rated, operates at -40 to 55 degrees Celsius (-40 to 131 degrees Fahrenheit)

Efficacy: 150LM/W

### Electrical Specifications

LED Type: Philips Lumileds 3030

Available Wattages: 80W, 100W, 150W, 185W, 240W, 300W, 400W, 500W

Lumen Maintenance @L70: >120,000 hours

LM80 Yes

THD <15%

Power Factor: >0.95

Standard Surge Protection: 5kVA

Ambient Temperature: -40 to 55 degrees Celsius / -40 to 131 degrees Fahrenheit

Available Voltages: 120-277VAC and 200-480VAC

The length of the standard cord is 0.3m/1ft.

### EPA

80-185W:0.23 ft<sup>2</sup>; 240-300W:0.42 ft<sup>2</sup>; 400-500W:0.576 ft<sup>2</sup>

### Certifications/Warranty

UL, cUL, CSA, CE, SAA & DLC with 6 year warranty

### BUG RATING

Model No.	Bug Rating
AL-SAL-80W-112L-T3	B3-U0-G1
AL-SAL-80W-112L-T2	B2-U0-G2
AL-SAL-80W-112L-T4	B2-U0-G2
AL-SAL-80W-112L-T5	B3-U0-G3
AL-SAL-100W-140L-T3	B3-U0-G1
AL-SAL-100W-140L-T2	B3-U0-G3
AL-SAL-100W-140L-T4	B3-U0-G3
AL-SAL-100W-140L-T5	B4-U0-G4
AL-SAL-150W-210L-T3	B4-U0-G2
AL-SAL-150W-210L-T2	B3-U0-G3
AL-SAL-150W-210L-T4	B3-U0-G3
AL-SAL-150W-210L-T5	B4-U0-G5
AL-SAL-185W-259L-T3	B4-U0-G2
AL-SAL-185W-259L-T2	B3-U0-G3
AL-SAL-185W-259L-T4	B3-U0-G3
AL-SAL-185W-259L-T5	B5-U0-G5
AL-SAL-240W-336L-T3	B5-U0-G2
AL-SAL-240W-336L-T2	B4-U0-G4
AL-SAL-240W-336L-T4	B4-U0-G4
AL-SAL-240W-336L-T5	B5-U0-G5
AL-SAL-300W-420L-T3	B5-U0-G3
AL-SAL-300W-420L-T2	B4-U0-G4
AL-SAL-300W-420L-T4	B4-U0-G4
AL-SAL-300W-420L-T5	B5-U0-G5
AL-SAL-400W-520L-T3	B5-U0-G3
AL-SAL-400W-520L-T2	B5-U0-G5
AL-SAL-400W-520L-T4	B4-U0-G5
AL-SAL-400W-520L-T5	B5-U0-G5
AL-SAL-500W-650L-T3	B5-U0-G3
AL-SAL-500W-650L-T2	B5-U0-G5
AL-SAL-500W-650L-T4	B5-U0-G5
AL-SAL-500W-650L-T5	B5-U0-G5

# SUPERIOR 100W



## Product Information

Installation:	Yoke (Standard), Fixed Arm-Round or Square Pole, Slip Fitter, Trunnion and Adjustable Trunnion
Material:	Die-cast Aluminum
Finish:	Powder coat
System power (W):	100
Fixture lumen output (lm):	15000
System efficiency (lm/W):	150
LED driver:	Sosen
LED engine:	Philips Lumileds

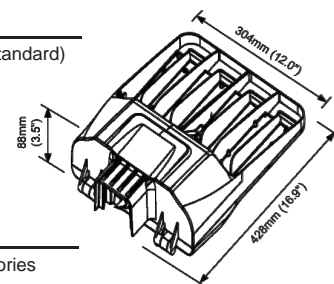


## Packaging

Net weight lamp (kg/lb):	3.80 / 8.37
Gross weight carton (kg/lb):	4.60 / 10.14
Master carton dimensions (mm/in):	458x340x125 / 18.0x13.4x4.9
Quantity per carton:	1

## Code composition

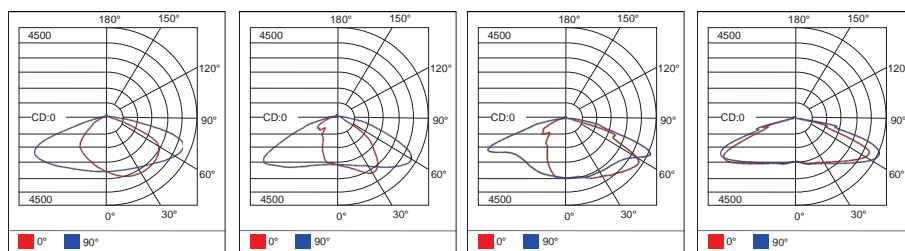
Series	Model	Mounting	Wattage-Lumens	Optics	
AL	Area Light	SAL Superior	YK Yoke (Standard) AR Arm SF Slip Fitter TRN Trunnion	100W-150L 100W-15000lm	T3 TYPE III (Standard) T2 TYPE II T4 TYPE IV T5 TYPE V



CCT	CRI	Voltage	Finish	Dimming	Accessories
30K 3000K	80 80+	UNV 120-277V	UG Umbra Grey (Standard)	D 1-10V Dimming	NA No Accessories
40K 4000K		HV 200-480V	WH White		PC 3 Pin Photocell
50K 5000K			BK Black		SPD10 10KV SPD
					PIR PIR Occupancy Sensor
					RC Remote Control
					RSS 3 Sided Shield

## Standard

100W-T3-5000K-CRI80    100W-T2-5000K-CRI80    100W-T4-5000K-CRI80    100W-T5-5000K-CRI80



# SUPERIOR 150W/185W



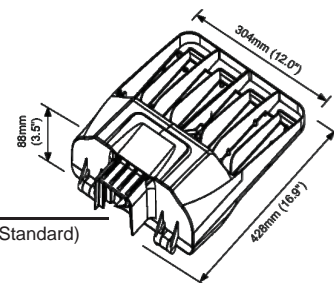
## Product Information

	150W	185W
Installation:	Yoke (Standard), Fixed Arm-Round or Square Pole, Slip Fitter, Trunnion and Adjustable Trunnion	
Material:	Die-cast Aluminum	
Finish:	Powder coat	
System power (W):	150	185
Fixture lumen output (lm):	22500	27750
System efficiency (lm/W):	150	
LED driver:	Sosen	
LED engine:	Philips Lumileds	



## Packaging

	150W	185W
Net weight lamp (kg/lb):	3.80 / 8.37	3.80 / 8.37
Gross weight carton (kg/lb):	4.60 / 10.14	4.60 / 10.14
Master carton dimensions (mm/in):	458x340x125 / 18.0x13.4x4.9	458x340x125 / 18.0x13.4x4.9
Quantity per carton:	1	1



## Code composition

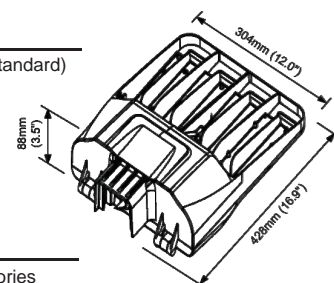
Series	Model	Mounting	Wattage-Lumens	Optics	
AL	Area Light	SAL Superior	YK Yoke (Standard) AR Arm SF Slip Fitter TRN Trunnion	150W-225L 150W-22500lm 185W-227L 185W-22750lm	T3 TYPE III (Standard) T2 TYPE II T4 TYPE IV T5 TYPE V

CCT	CRI	Voltage	Finish	Dimming	Accessories
30K	3000K	80 80+ UNV 120-277V	UG Umbra Grey (Standard)	D 1-10V Dimming	NA No Accessories
40K	4000K	HV 200-480V	WH White		PC 3 Pin Photocell
50K	5000K		BK Black		SPD10 10KV SPD PIR PIR Occupancy Sensor RC Remote Control RSS 3 Sided Shield

## Code composition

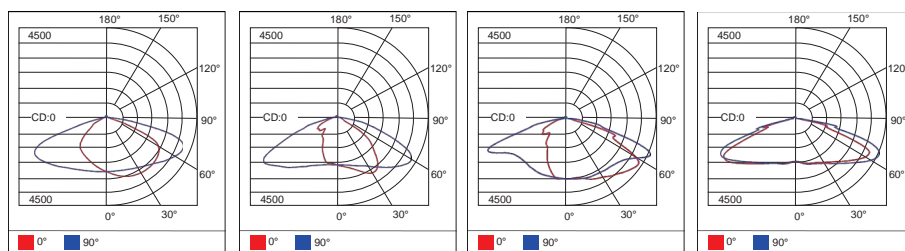
Series	Model	Mounting	Wattage-Lumens	Optics	
AL	Area Light	SAL Superior	YK Yoke (Standard) AR Arm SF Slip Fitter TRN Trunnion	185W-227L 185W-22750lm	T3 TYPE III (Standard) T2 TYPE II T4 TYPE IV T5 TYPE V

CCT	CRI	Voltage	Finish	Dimming	Accessories
30K	3000K	80 80+ UNV 120-277V	UG Umbra Grey (Standard)	D 1-10V Dimming	NA No Accessories
40K	4000K	HV 200-480V	WH White		PC 3 Pin Photocell
50K	5000K		BK Black		SPD10 10KV SPD PIR PIR Occupancy Sensor RC Remote Control RSS 3 Sided Shield



## Standard

185W-T3-5000K-CRI80    185W-T2-5000K-CRI80    185W-T4-5000K-CRI80    185W-T5-5000K-CRI80



# SUPERIOR 240W/300W



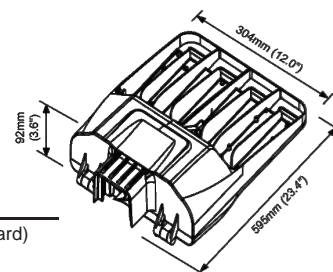
## Product Information

	240W	300W
Installation:	Yoke (Standard), Fixed Arm-Round or Square Pole, Slip Fitter, Trunnion and Adjustable Trunnion	
Material:	Die-cast Aluminum	
Finish:	Powder coat	
System power (W):	240	300
Fixture lumen output (lm):	36000	45000
System efficiency (lm/W):	150	
LED driver:	Sosen (240W UNV/HV), Mean Well (300W UNV), Sosen (HV)	
LED engine:	Philips Lumileds	



## Packaging

Net weight lamp (kg/lb):	6.80 / 14.99	6.80 / 14.99
Gross weight carton (kg/lb):	7.80 / 17.91	7.80 / 17.91
Master carton dimensions (mm/in):	623x340x125 / 24.5x13.4x4.92	623x340x125 / 24.5x13.4x4.92
Quantity per carton:	1	1



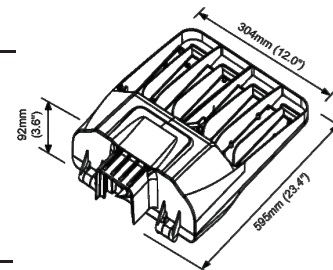
## Code composition

Series	Model	Mounting	Wattage-Lumens	Optics
AL	Area Light	SAL Superior	YK Yoke (Standard) AR Arm SF Slip Fitter TRN Trunnion	240W-360L 240W-36000lm T3 TYPE III (Standard) T2 TYPE II T4 TYPE IV T5 TYPE V

CCT	CRI	Voltage	Finish	Dimming	Accessories
30K	3000K	80 80+ UNV 120-277V	UG Umbra Grey (Standard)	D 1-10V Dimming	NA No Accessories
40K	4000K	HV 200-480V	WH White		PC 3 Pin Photocell
50K	5000K		BK Black		SPD10 10KV SPD PIR PIR Occupancy Sensor RC Remote Control RSS 3 Sided Shield

## Code composition

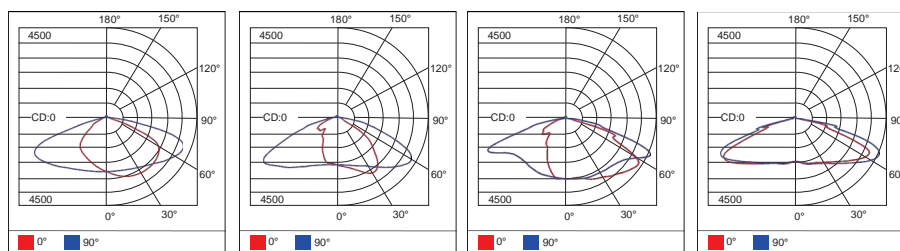
Series	Model	Mounting	Wattage-Lumens	Optics
AL	Area Light	SAL Superior	YK Yoke (Standard) AR Arm SF Slip Fitter TRN Trunnion	300W-450L 300W-45000lm T3 TYPE III (Standard) T2 TYPE II T4 TYPE IV T5 TYPE V



CCT	CRI	Voltage	Finish	Dimming	Accessories
30K	3000K	80 80+ UNV 120-277V	UG Umbra Grey (Standard)	D 1-10V Dimming	NA No Accessories
40K	4000K	HV 200-480V	WH White		PC 3 Pin Photocell
50K	5000K		BK Black		SPD10 10KV SPD PIR PIR Occupancy Sensor RC Remote Control RSS 3 Sided Shield

## Standard

100W-T3-5000K-CRI80    100W-T2-5000K-CRI80    100W-T4-5000K-CRI80    100W-T5-5000K-CRI80



# SUPERIOR 400W/500W



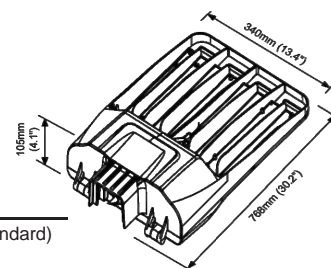
## Product Information

	400W	500W
Installation:	Yoke (Standard), Fixed Arm-Round or Square Pole, Slip Fitter, Trunnion and Adjustable Trunnion	
Material:	Die-cast Aluminum	
Finish:	Powder coat	
System power (W):	400	500
Fixture lumen output (lm):	60000	75000
System efficiency (lm/W):	150	
LED driver:	Mean Well	
LED engine:	Philips Lumileds	



## Packaging

Net weight lamp (kg/lb):	11.00 / 24.25	11.00 / 24.25
Gross weight carton (kg/lb):	12.00 / 26.46	12.00 / 26.46
Master carton dimensions (mm/in):	803x300x140 / 31.6x11.8x5.51	803x300x140 / 31.6x11.8x5.51
Quantity per carton:	1	1



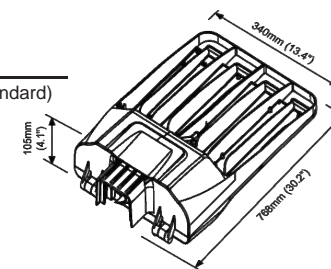
## Code composition

Series	Model	Mounting	Wattage-Lumens	Optics
AL	Area Light	SAL Superior	YK Yoke (Standard) AR Arm SF Slip Fitter TRN Trunnion	400W-600L 400W-60000lm T3 TYPE III (Standard) T2 TYPE II T4 TYPE IV T5 TYPE V

CCT	CRI	Voltage	Finish	Dimming	Accessories
30K	3000K	80 80+ UNV 120-277V	UG Umbra Grey (Standard)	D 1-10V Dimming	NA No Accessories
40K	4000K	HV 200-480V	WH White		PC 3 Pin Photocell
50K	5000K		BK Black		SPD10 10KV SPD PIR PIR Occupancy Sensor RC Remote Control RSS 3 Sided Shield

## Code composition

Series	Model	Mounting	Wattage-Lumens	Optics
AL	Area Light	SAL Superior	YK Yoke (Standard) AR Arm SF Slip Fitter TRN Trunnion	500W-750L 500W-75000lm T3 TYPE III (Standard) T2 TYPE II T4 TYPE IV T5 TYPE V



CCT	CRI	Voltage	Finish	Dimming	Accessories
30K	3000K	80 80+ UNV 120-277V	UG Umbra Grey (Standard)	D 1-10V Dimming	NA No Accessories
40K	4000K	HV 200-480V	WH White		PC 3 Pin Photocell
50K	5000K		BK Black		SPD10 10KV SPD PIR PIR Occupancy Sensor RC Remote Control RSS 3 Sided Shield

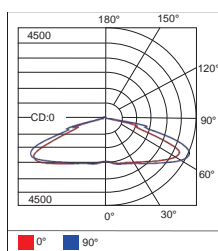
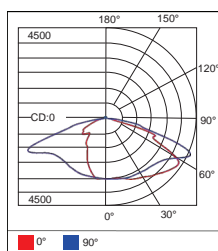
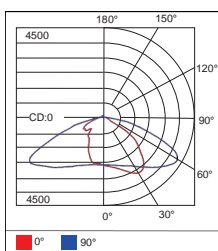
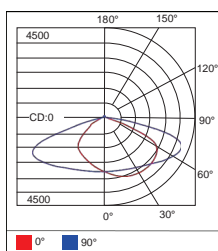
## Standard

500W-T3-5000K-CRI80

500W-T2-5000K-CRI80

500W-T4-5000K-CRI80

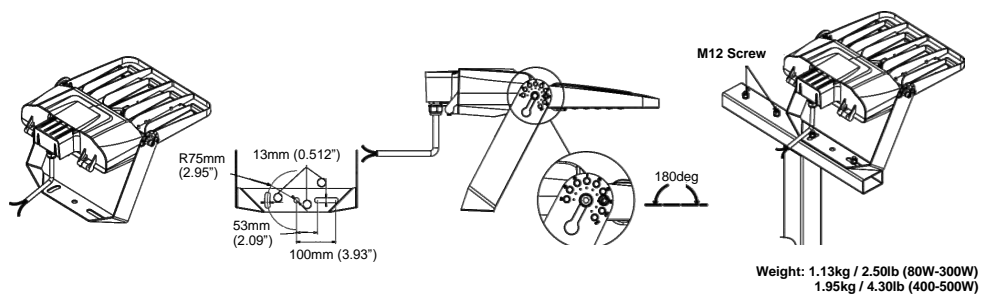
500W-T5-5000K-CRI80



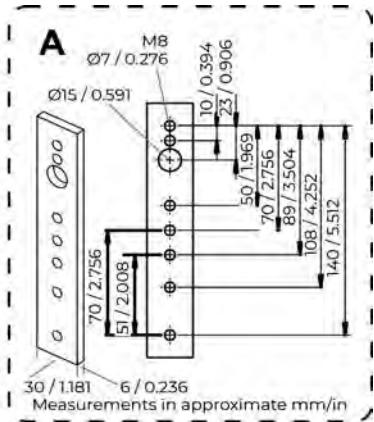
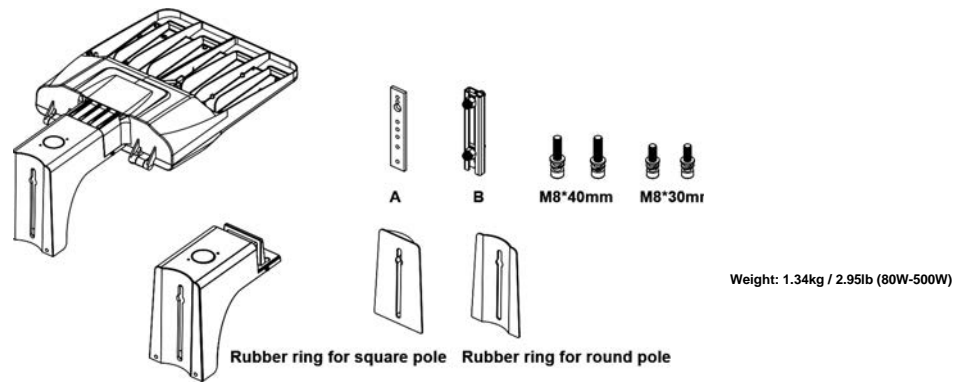


# MOUNTING OPTIONS AND INSTALLATION

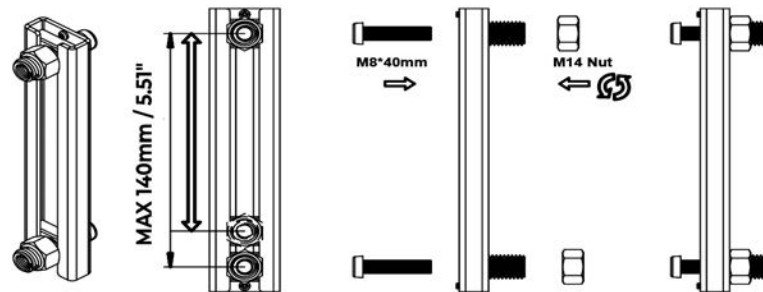
## Yoke Mounting (Standard)



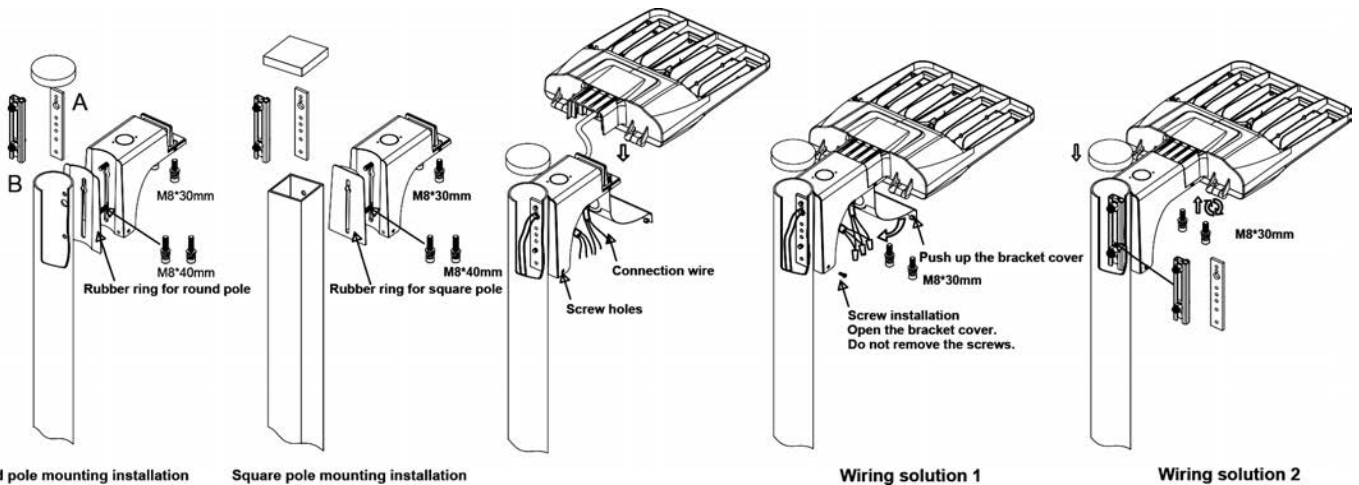
## Fixed Arm (Round or Square)



## Sliding mounting bar- B

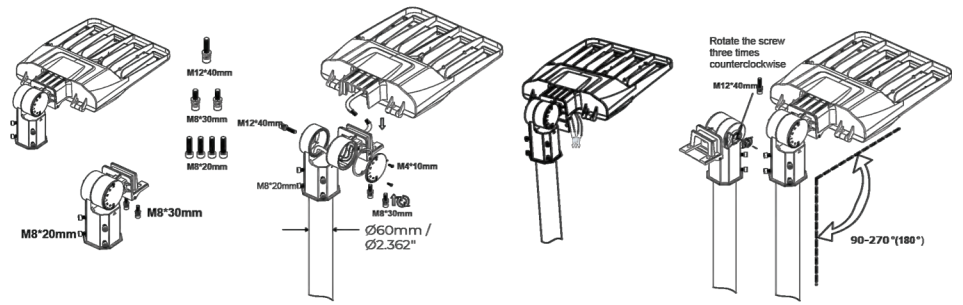


Slide the screw to adjust the hole spacing .



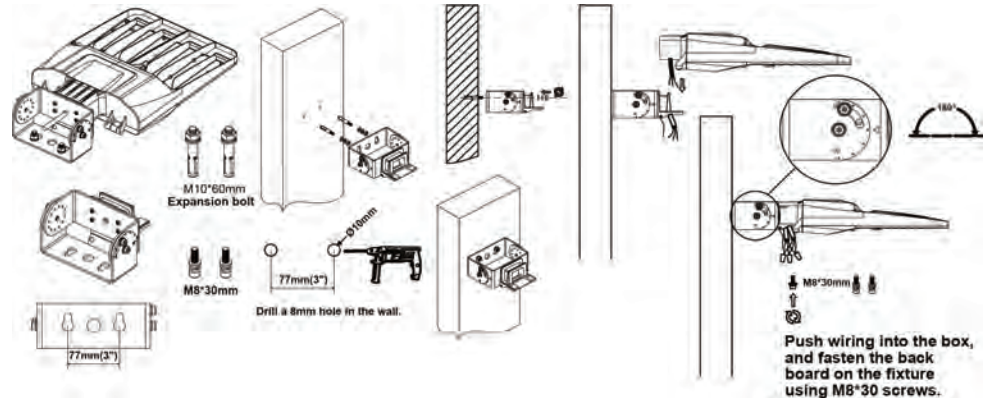
# MOUNTING OPTIONS AND INSTALLATION

## Slip Fitter

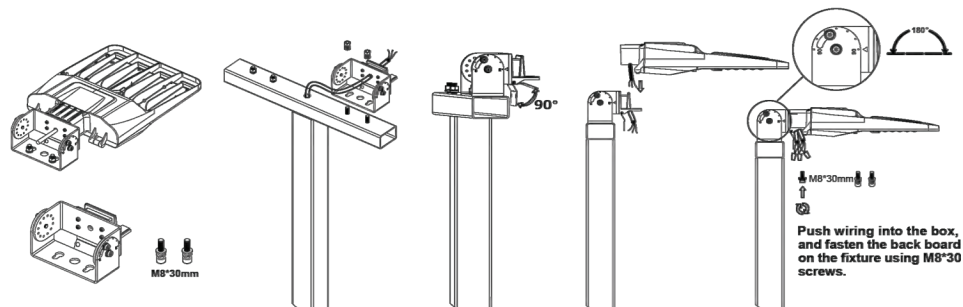
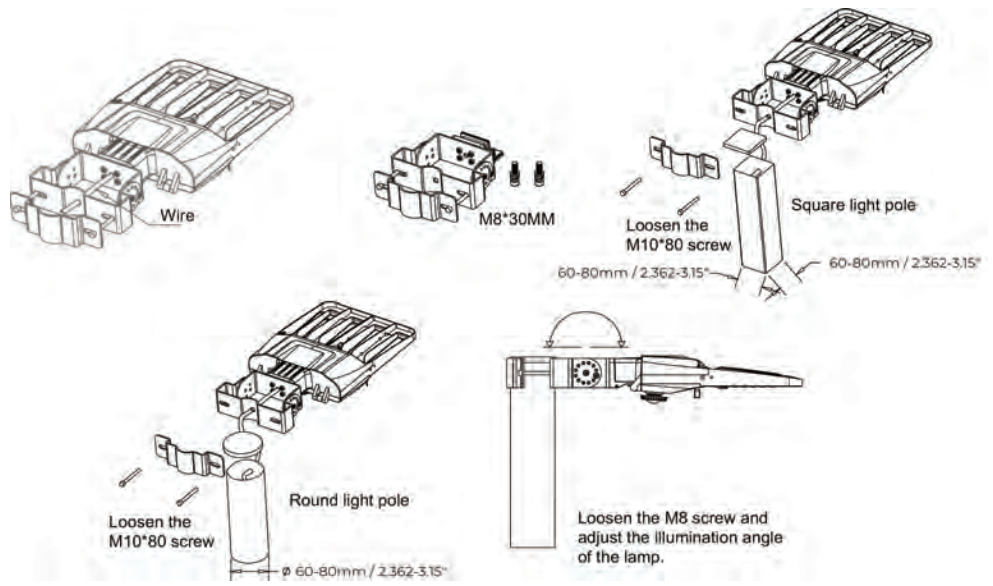


Weight: 1.36kg / 3.00lb (80W-500W)

## Trunnion (Wall Mounted)



Weight: 1.62kg / 3.57lb (80W-500W)

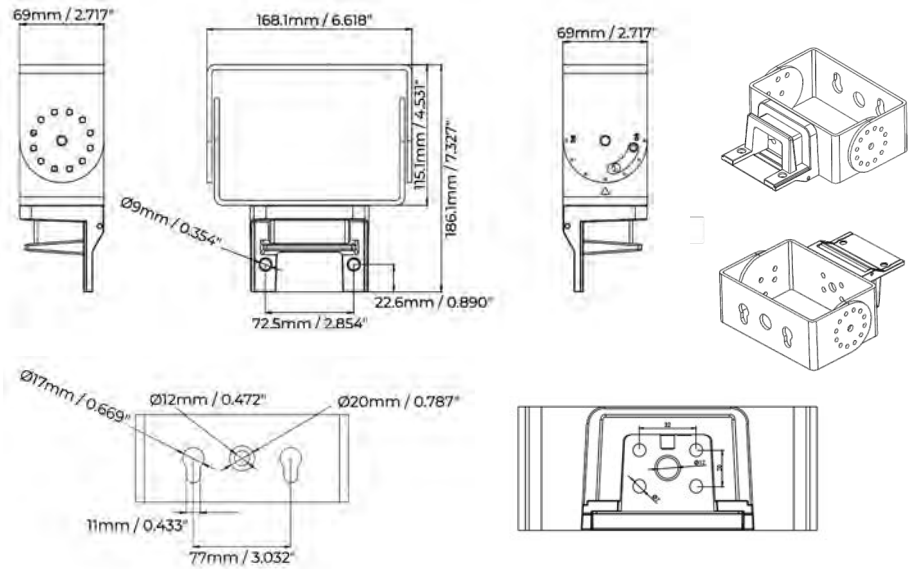




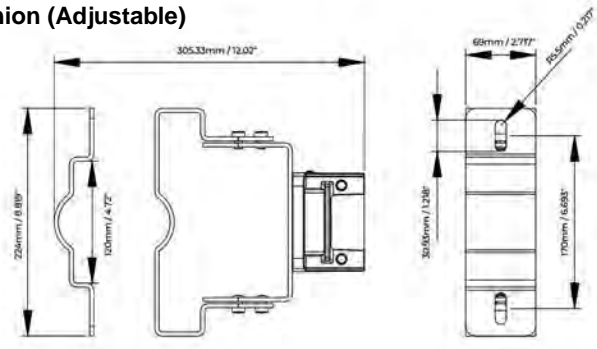


# DIMENSIONS

## Trunnion

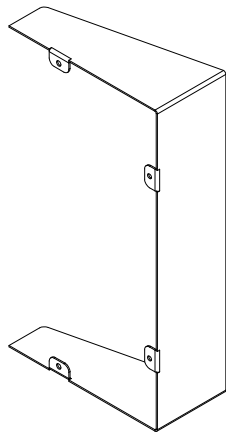
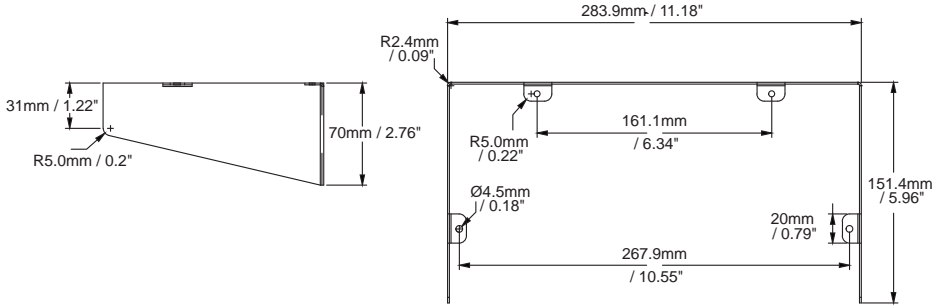


## Trunnion (Adjustable)

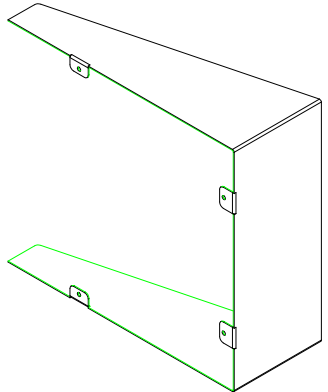
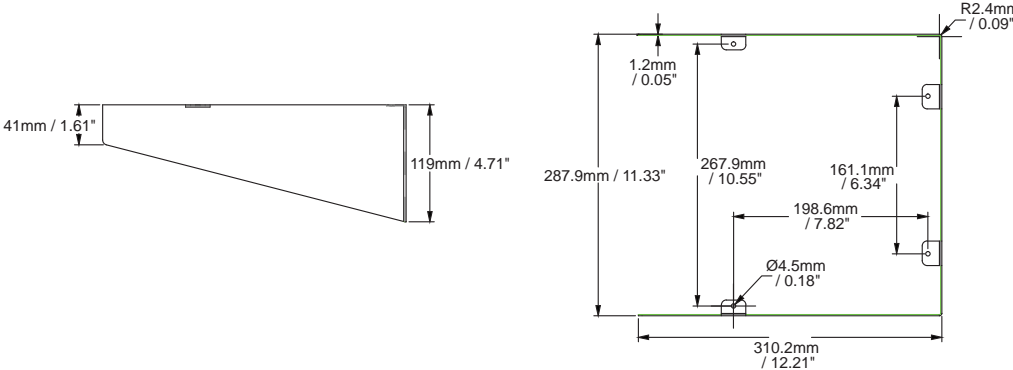


# SHIELD DIMENSIONS

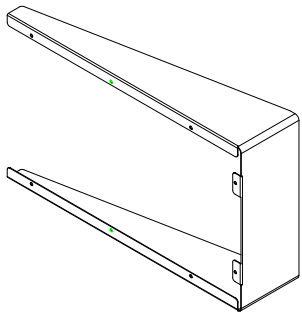
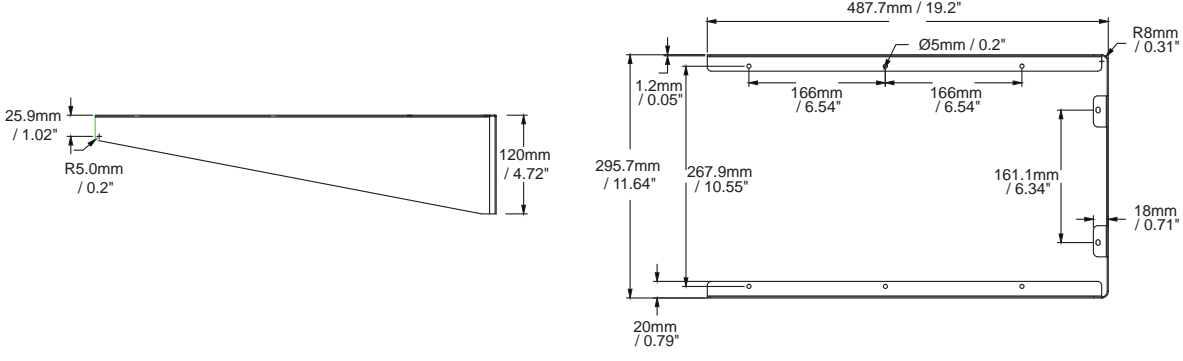
## 80-185W



## 240-300W



## 400-500W



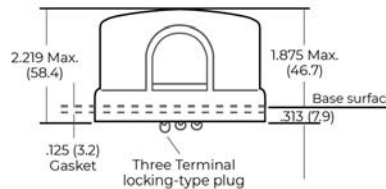
# PHOTOCELL



The photo control series is designed to control street & area lighting, garden, pas-sage and doorway lighting automatically in accordance with the ambient natural lighting level, and mid-night sleeping timer settings.

This product is designed with micro-processor circuits utilizing CdS photocell, photodiode or IR-filtered photo transistor technology and a surge arrester.

A preset 5-20-second off-time delay assists in avoiding mis-operation due to lightning and other flash/intermittent light sources during the night. The HP version is rated for >50,000 cycles and its life is extended when the meta sleeve is utilized.



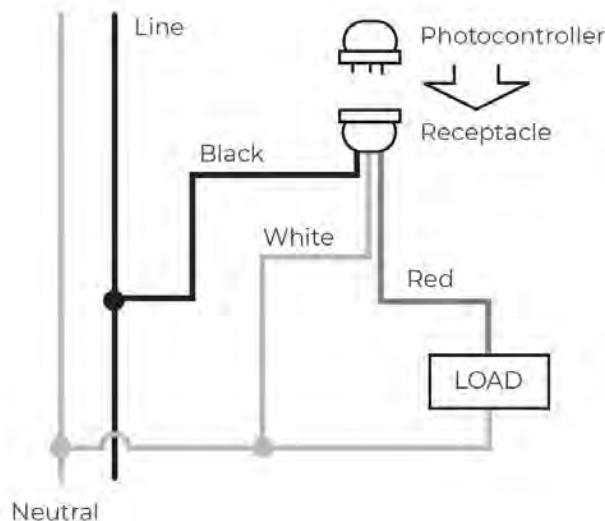
## FEATURES

- ANSI-C136.10-2010-twist-lock
- Multi-volt application
- Full customization available
- Built in surge arrester
- IR-filtered-Photodiode-Sensor
- Midnight-to-dawn-off-functionality-available
- Fail-On-/Fail-Off-modes-available
- Metal Armor casing available

## SPECIFICATIONS

Model	JL-207C	JL-207E	JL-207F
Rated Voltage	100-277VAC	347VAC	480VAC
Applicable Voltage Range	105-305VAC	105-380VAC	105-530VAC
Rated Frequency	50/60 Hz		
Rated Loading	1000W-Tungsten, 1800VA Ballast		
Power Consumption	0.5W (STD) / -0.9W (HP)		
Typical On/Off Level	16Lx On / 24Lx Off		
Ambient Temp.	-40° to 70°C		
Related Humidity	99% / 100% (IP67)		
Overall Size	84(Dia.) x 66mm		
Approximate Weight	110g (STD) / 125g (HP)		

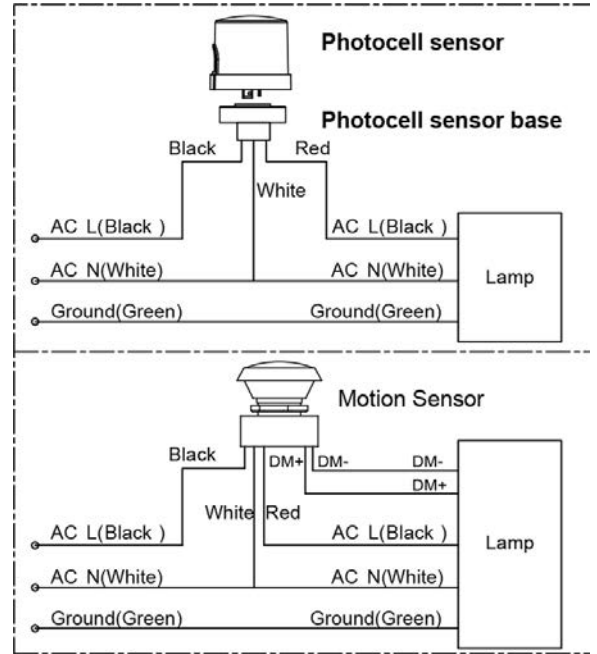
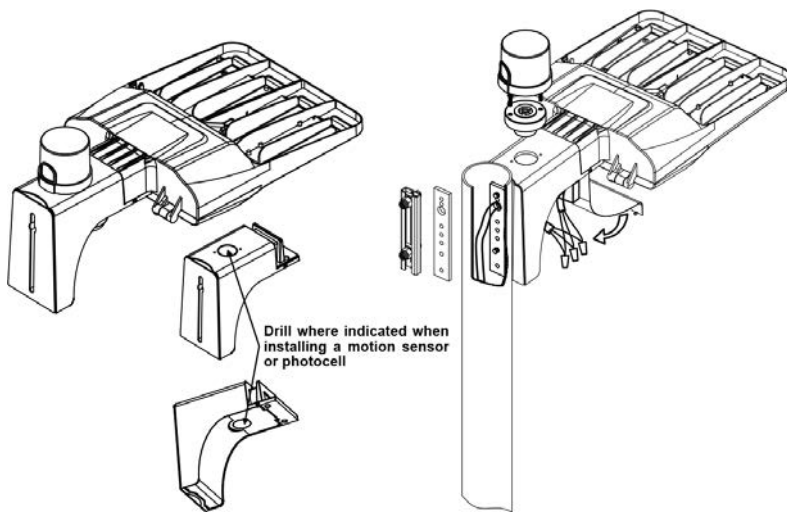
## INSTALLATION



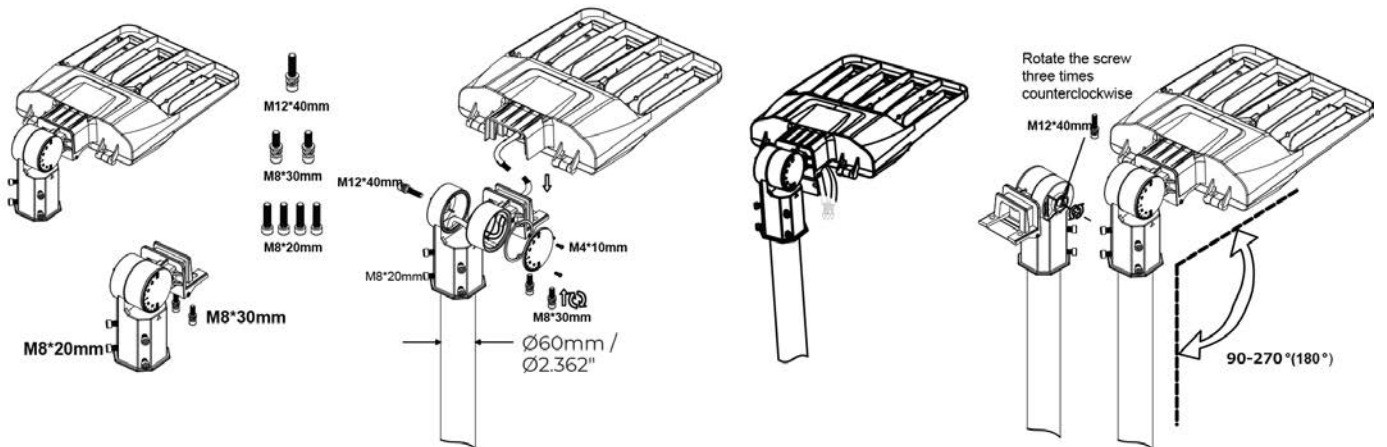
Disconnect power; wire the receptacle according to the diagram. Push the photocontroller on and twist it clockwise to lock it into the receptacle. Install the photocontroller with the Photocell facing the NORTH direction as indicated on the top of the photocontroller. Adjust the receptacle position if necessary.

# Photocell/Motion Sensor Installation

## Fixed Arm



## Slip Fitter



# ■ Bi-Level Detached Passive Infrared Outdoor Sensor BRI820 Instruction



BRI820 (M8)



RC-100

## INTRODUCTION

The BRI820 mounts in an outdoor lighting fixture and provides multi-level control based on motion and/or daylight contribution. It controls 0-10 VDC LED drivers or dimming ballasts, and is rated for wet and cold locations.

All control parameters are adjustable via a wireless configuration tool capable of storing and transmitting sensor profiles.

## SPECIFICATIONS

Power supply	100-347VAC, Single Phase, 60Hz 208/230/480VAC Phase-to-Phase, 60Hz
Maximum load @ -40°F ~ +185°F (-40°C ~ +85°C)	100-120 Vac, 800W, Tungsten 100-120 Vac, 800W, Electronic Ballast/Led Driver 230-240 Vac, 300 W, Electronic Ballast/Led Driver 277 Vac, 1200W, Electronic Ballast/Led Driver 347 Vac, 1200W, Electronic Ballast/Led Driver 480 Vac, 480W, Electronic Ballast/Led Driver
HF System	5.8GHz CW
Dim control output	0-10 VDC Dimming, 50mA
Detection radius/angle	Max 26ft.(8m)/360°
Mounting height	Max 40ft.(12m)
Remote range	50ft. (15m) indoor, no backlight
Time setting	10sec.-60min. (adjustable)
Light-control	10-2000Lux (adjustable)
Humidity	Max. 95% RH
Temperature	-40°F ~ +158°F (-40°C ~ +70°C)

Once powering the device up, the BRI820 will use factory default parameters to operate. If adjustments are needed, "RC-100" Wireless IR Configuration tool must be used.

### ⚠ WARNING

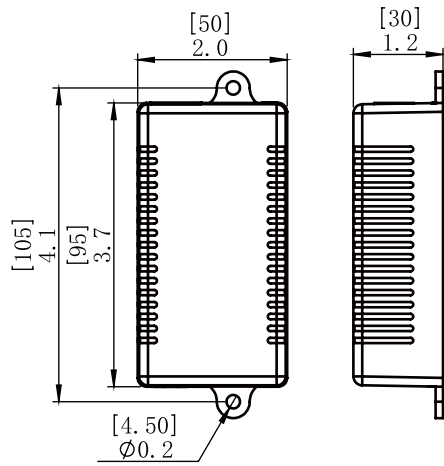
**NOTE:** Warm up time is 40seconds. After the sensor connects input power first time, the light will keep on 1 5seconds, then go to dimming to work normally.

**NOTE:** Factory Default Setting: 100% sensitivity, Hold on time: 5min, Daylight sensor is ☀, Dimming level: 30%, Dimming time: 60minutes.

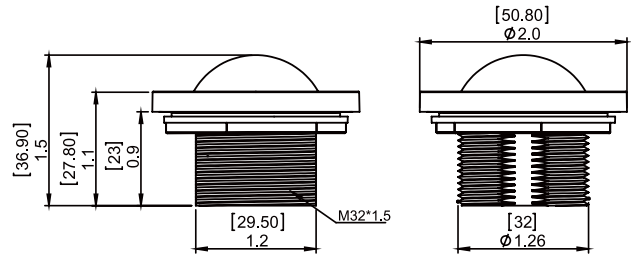
**NOTE:** Any setting changed by remote control, the led light that sensor connect will on/off as confirm.



**DIMENSIONS:**

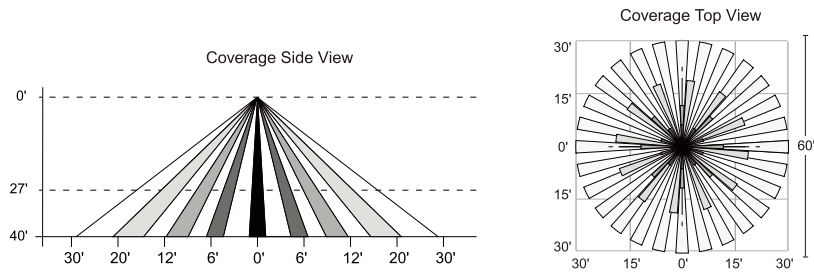


(sensor power)



(sensor antenna)

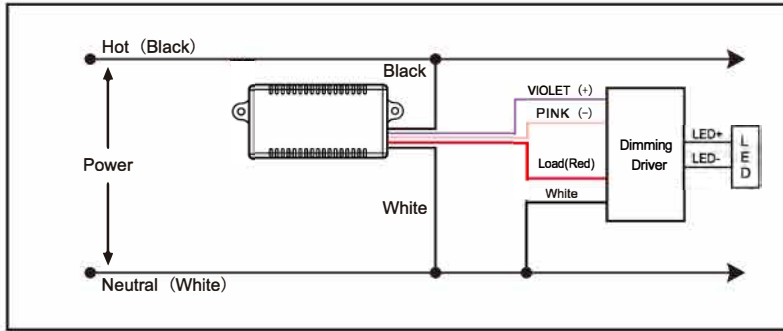
**SENSOR COVERAGE**



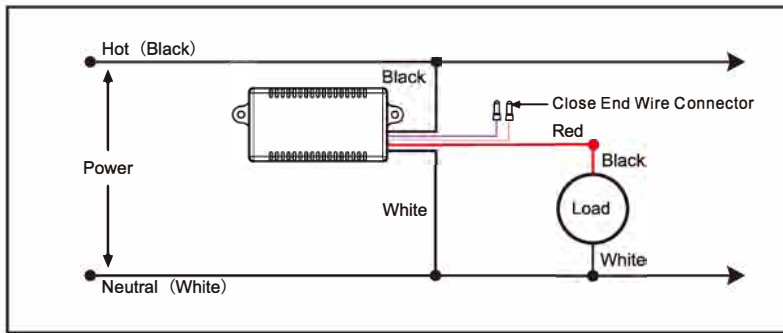
Once powering the device up, the BRI820 will use factory default parameters to operate.

## WIRING DIAGRAMS

### Dimming Driver



### Non-Dimming Driver



## USING THE "RC-100" CONFIGURATION TOOL

	KEY	FUNCTION	KEY	FUNCTION
		Press the on/off button, the light goes to permanent on or permanent off mode, the sensor is locked, MUST Press "AUTO" to quit from this mode.		Press "Auto" button, the sensors starts to work automatically and all parameters remains the same as the latest status in auto mode.
		Display current parameters		The button "Test" is for testing purpose sensitivity only, the sensor goes to test mode (hold time is only 2s) automatically after commissioning, meanwhile the stand-by period and daylight sensor are disabled. Press "AUTO" to quit from this mode.
		upload the selected parameters to sensors		
		Enter in the setting condition and navigate to UP and Down		When the light level exceeds this setting, the lights will turn off even when the space is occupied. Once the light level exceeds this setting, the sensor will wait and monitor for 1 mins in order to confirm the light level increase is not temporary before forcing the lights to go off. When light level goes below the settings, the light will turn on even without motion detection after 1min. This feature is disabled by default. If want to open this setting, just press , choose daylight sensor setpoint on/off.
		Navigate to Right and Left		
		Confirm selected parameters and saving		
		Default settings: 100% 100% 5m 5m 30% 60m		 Four modes with existing parameters which are available to be updated and saved in Modes
	BRIGHTNESS	Adjust the light brightness during hold time.	 DAYLIGHT SENSOR	
	SENSITIVITY	Adjust sensor sensitivity		
	HOLD TIME	The time of light fixture remains at programmed 70%/80%/100% level after motion is not detected		
STAND-BY TIME	Select stand-by period at 1min/30min / 60min/+∞ : Note: "+∞" means bi-level dimming control, fixture never switches off.		STAND-BY DIM Select the stand-by dimming level at 0%/ 10%/30%/ 50%; Note: "0%" means on /off control;	