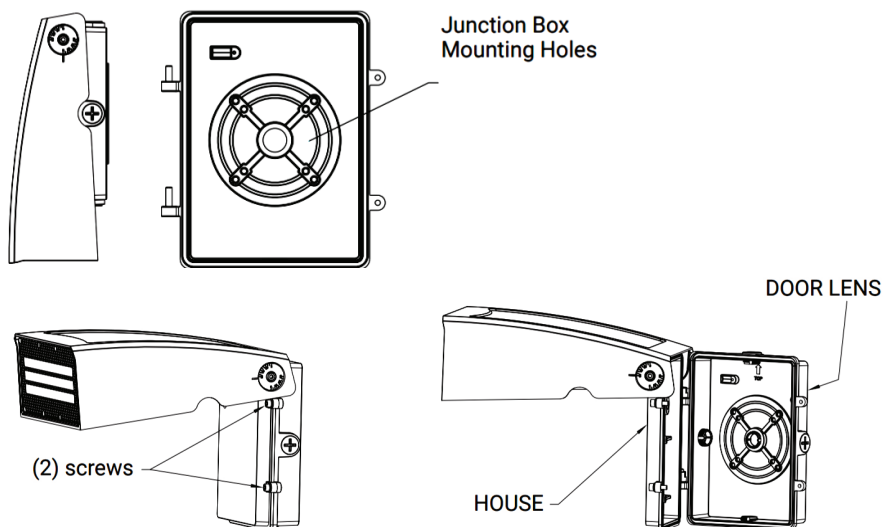


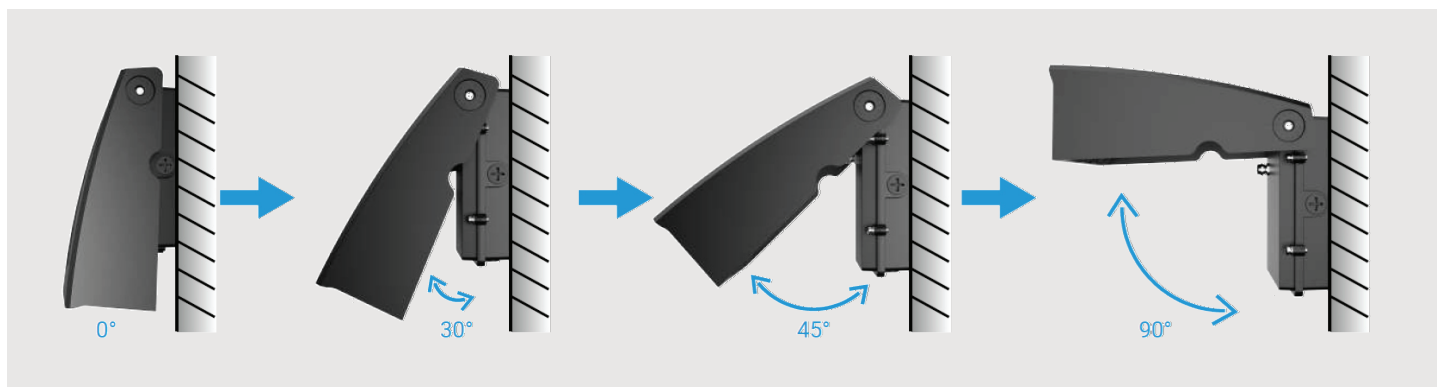
SLIM GEN 2 SERIES INSTALLATION INSTRUCTIONS

The fixture must be mounted on the wall with lens facing down as shown with picture.

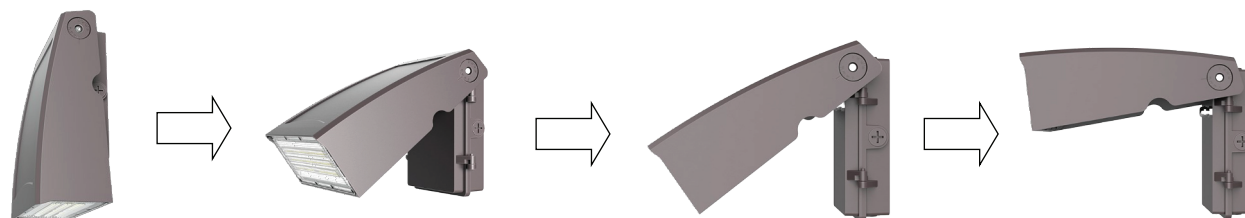


1. Unscrew door with Philips screwdriver by loosening screws. Confirm junction box size and junction box mounting provisions to that of the light fixture.
2. Attach the light fixture to the junction box or mounting surface.
3. Attach the appropriate wires to the light fixture wires, green to green, black to black and white to white. Secure each wire pair with a wire nut. (Wiring instruction FYI.)
4. Close the door and tighten(2) screws on the door lens. Nothing should be trapped in the gasket sealing area when the door is closed.

Adjustable direction can be available from 0-90 degree

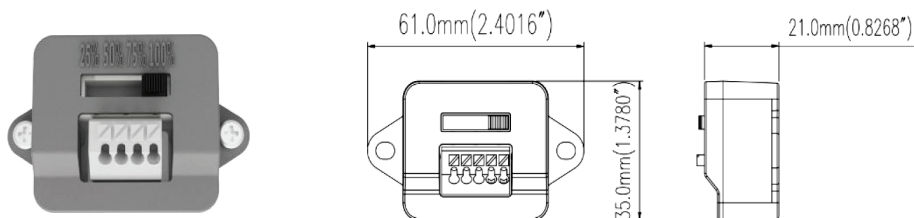
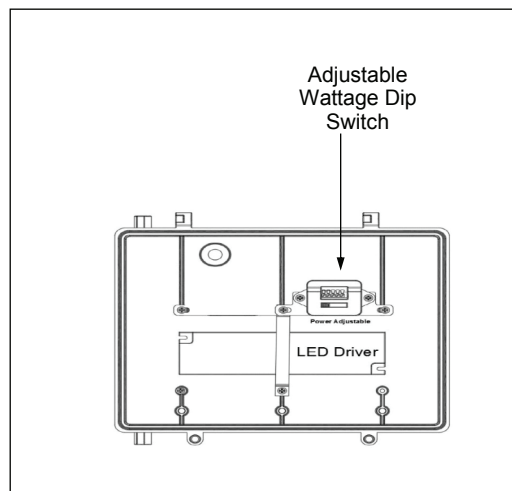
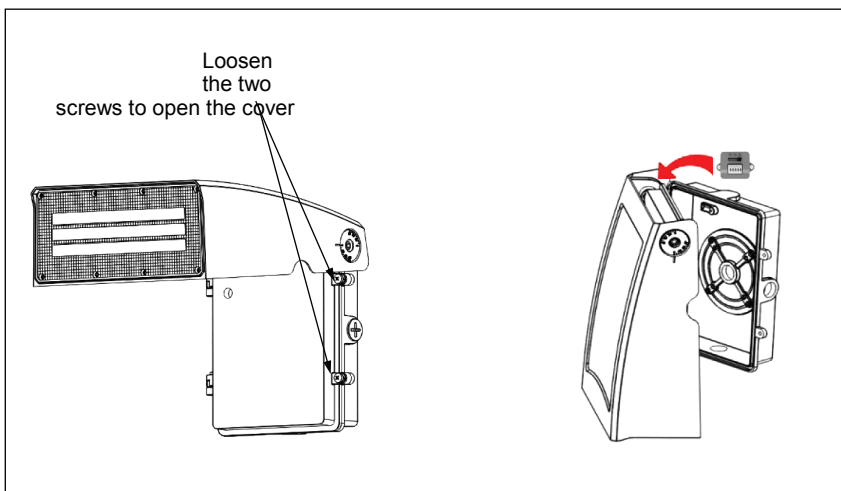


Actual Images



SLIM GEN 2 SERIES INSTALLATION INSTRUCTIONS

ADJUSTABLE WATTAGE SWITCH SETTING INSTRUCTIONS



Introduction

Power adjustable switch is a manually adjustable switch for adjusting the power (wattage).

It has 4 adjustable settings (100%, 75%, 50%, 25%).

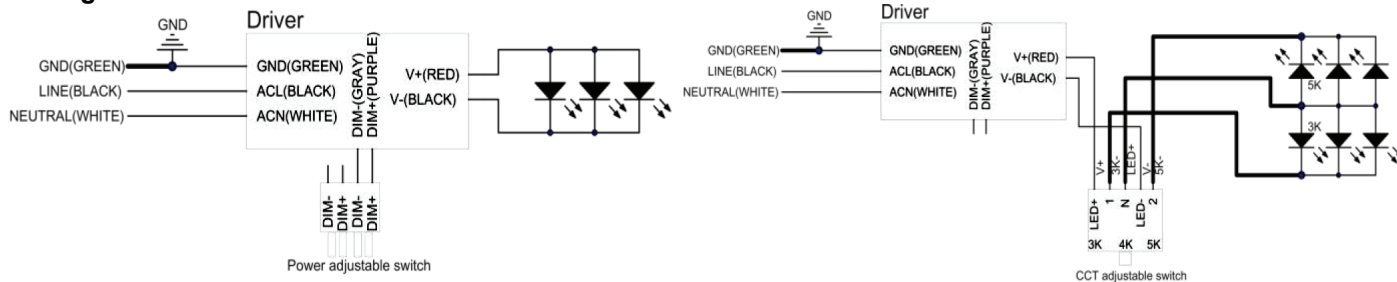
Note: factory default setting: 100%

Specifications:

Operating Voltage	12-24VDC
Power Adjustable period:	100%, 75%, 50%, 25%
Electrical Life:	2,000 cycles typical
Insulation Resistance:	> 100MΩ min
Operating temperature:	-22°F-158°F (-30°C~+70°C)
Storage temperature:	-40°F-185°F (-40°C~+85°C)

SLIM GEN 2 SERIES INSTALLATION INSTRUCTIONS

Wiring Connections:



Power Adjustable Switch Setting Instruction:

1. Loosen screws and open the door to setting area.
2. Move left or right “Adjustable button” to get required wattage. (See below picture)



Power Adjustable Switch Setting Instruction

- * The following parameters are for reference only and could be set to but not limited to the following parameters.
- * Values are based on the highest performance package for each fixture size.
- * Lumen values vary by optic type.

Original Watts (W)	DIP Position	Input Watts (W)
40W	100%	40W
	75%	30W
	50%	20W
	25%	10W
80W	100%	80W
	75%	60W
	50%	40W
	25%	20W

3. Reinstall the door, tighten the screws.
4. All wire connections must be made by a licensed electrician..