

SLIM GEN 2 SERIES



Description

The **Slim Gen 2** series is a **WATTAGE SELECTABLE** wall pack luminaire with **4 OUTPUT LEVEL SETTINGS** per model.

It's unique and adjustable direction and can be aimed from 0-90 degrees so forward throw illumination can be precisely aimed.

This is an ideal commercial or residential outdoor fixture and easily replaces to any wall packs lights.

Durable die-casting aluminum housing construction. UV-resistant polycarbonate refractor lens Type II distribution optics. The standard finish is Dark Bronze (DB) (RAL 8019). Also available in black (BK).

It is suitable for many diverse applications such as building façades, commercial, industrial, retail, residential, hospitality buildings that demand long service life and low maintenance.

Electrical Specifications

Available Wattages: 40W (40W,30W,20W,10W) (selectable)

80W (80W, 60W, 40W,20W) (selectable)

Adjustable Angle: 0-90

THD: <20%

IP Rating: IP65

IK Rating: IK08

CRI: >70 Ra

Dimming: 0-10V

Comes complete with external photocell

Bug Rating: WP-SLM2-40WS-T2: B1 U1 G1

WP-SLM2-80WS-T2: B3 U1 G2

Operating Temperature: -40°C to 45°C (-22° to 113°F)

Storage Temperature: -40°C to 70°C (-40° to 158°F)

Available Voltages: 120-347VAC

Certifications and Warranty

cETLus, and DLC with 6 year warranty



SLIM GEN 2 40W (Selectable)



Product Information

40W

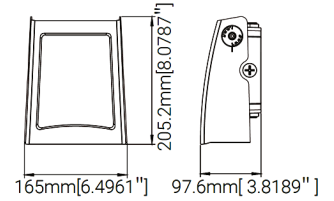
Installation:	Wall Mounted
Material:	Die-cast aluminum
Finish:	Powder coat
System power (W):	40 (100%) / 30(75%) / 20(50%) / 10(25%)
Fixture lumen output (lm):	5200 (100%) / 3900(75%) / 2600(50%) / 1300(25%)
System efficiency (lm/W):	130
Lumen Maintenance @ L70 (hrs)	50,000hrs

Packaging

Net weight lamp (kg/lb):	1.59 / 3.51
Gross weight carton (kg/lb):	1.92 / 4.23
Master carton dimensions (mm/in):	245x200x135 / 9.6x7.9x5.31
Quantity per carton:	1

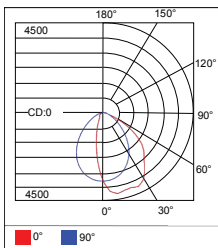
Code composition

Series	Model	Mounting	Wattage - Lumens	Optics					
WP	Wall Pack	SLM2	Slim Gen 2	WM	Wall Mount	40WS-52L	40W-5200lm	T2	Type II



CCT	CRI	Voltage	Dimming	Finish	Accessories					
40K	4000K	70 70+	CUNV	120-347V	D	0-10V Dimming	DB	Dark Bronze (Standard)	PC	Photocell (Standard)
50K	5000K						BK	Black	RC	Remote Control for Photocell

40W-T2-40K-CRI70



SLIM GEN 2 80W (Selectable)



Product Information

80W

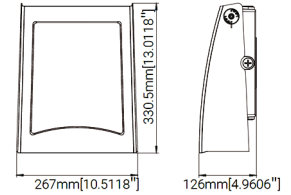
Installation:	Wall Mounted
Material:	Die-cast aluminum
Finish:	Powder coat
System power (W):	80 (100%) / 60(75%) / 40(50%) / 20(25%)
Fixture lumen output (lm):	10400 (100%) / 7800(75%) / 5200(50%) / 2600(25%)
System efficiency (lm/W):	130
Lumen Maintenance @ L70 (hrs)	50,000hrs

Packaging

Net weight lamp (kg/lb):	3.13 / 6.90
Gross weight carton (kg/lb):	3.73 / 8.22
Master carton dimensions (mm/in):	330x245x150 / 12.99x9.6x5.91
Quantity per carton:	1

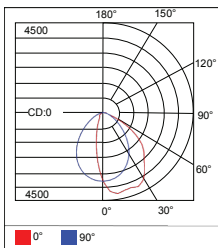
Code composition

Series	Model	Mounting	Wattage - Lumens	Optics					
WP	Wall Pack	SLM2	Slim Gen 2	WM	Wall Mount	80WS-104L	80W-10400lm	T2	Type II



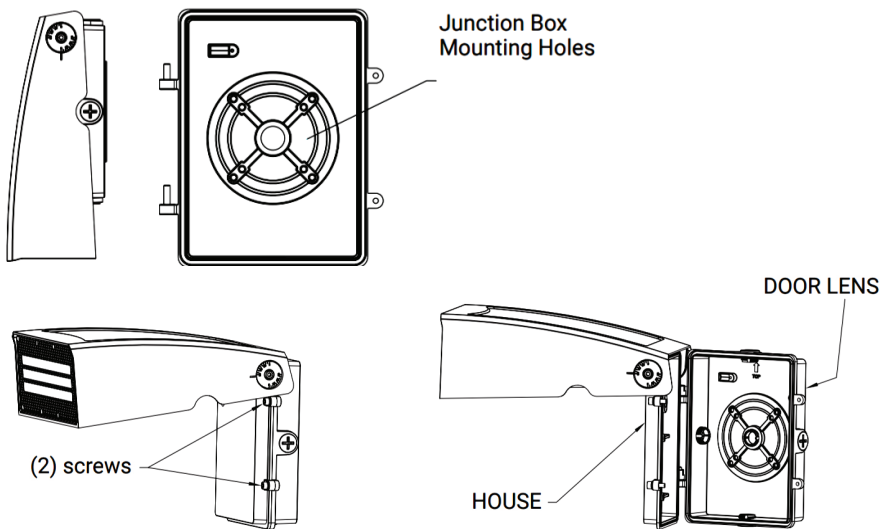
CCT	CRI	Voltage	Dimming	Finish	Accessories					
40K	4000K	70 70+	CUNV	120-347V	D	0-10V Dimming	DB	Dark Bronze (Standard)	PC	Photocell (Standard)
50K	5000K						BK	Black	RC	Remote Control for Photocell

80W-T2-40K-CRI70



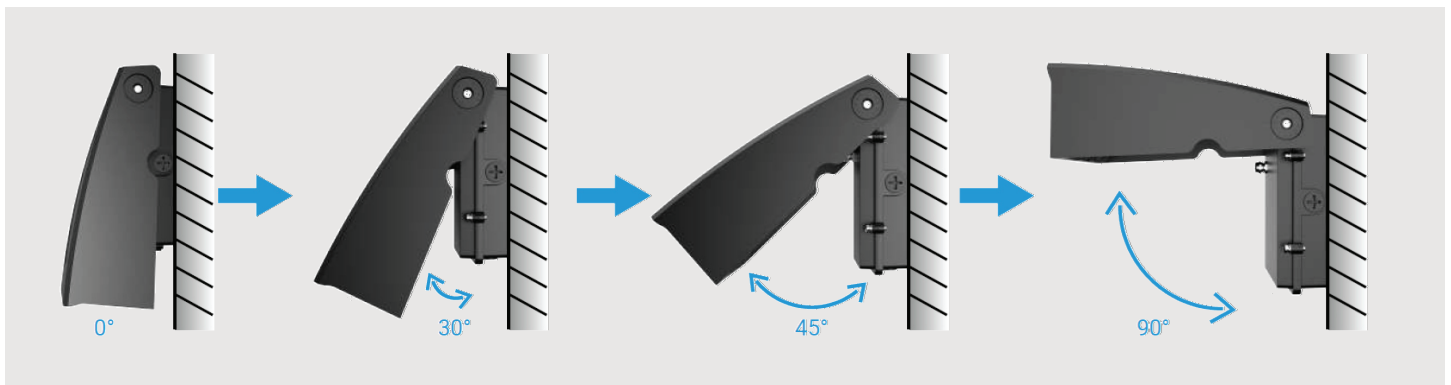
INSTALLATION

The fixture must be mounted on the wall with lens facing down as shown with picture.

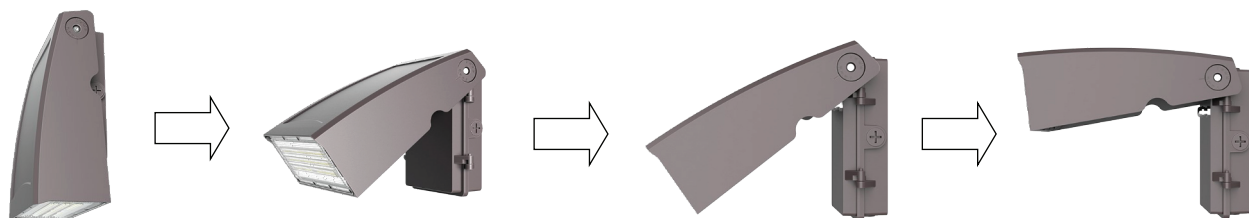


1. Unscrew door with Philips screwdriver by loosening screws. Confirm junction box size and junction box mounting provisions to that of the light fixture.
2. Attach the light fixture to the junction box or mounting surface.
3. Attach the appropriate wires to the light fixture wires, green to green, black to black and white to white. Secure each wire pair with a wire nut. (Wiring instruction FYI.)
4. Close the door and tighten(2) screws on the door lens. Nothing should be trapped in the gasket sealing area when the door is closed.

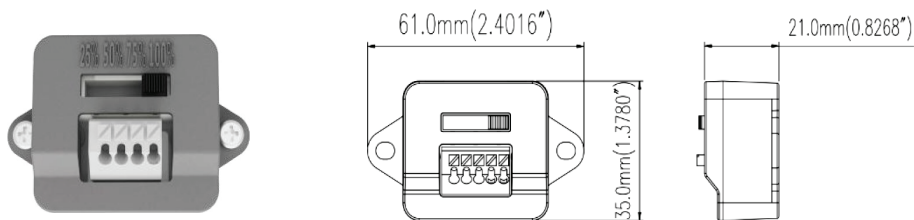
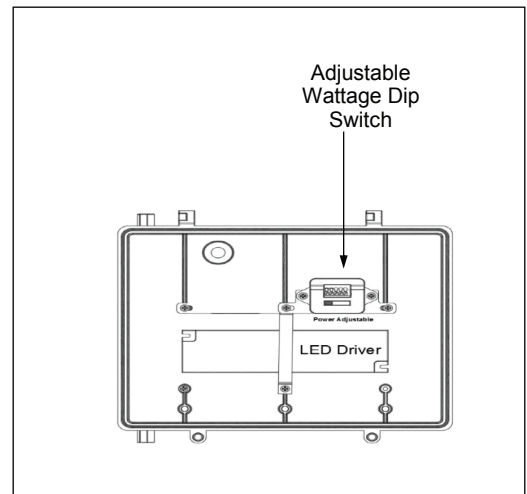
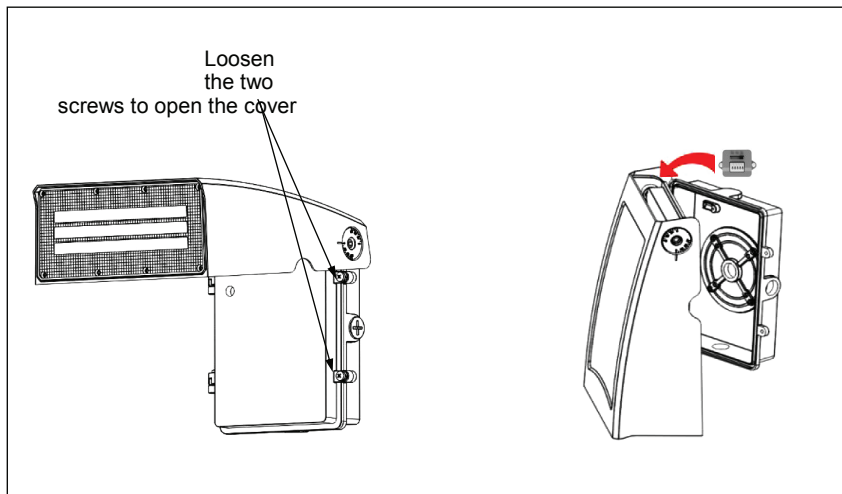
Adjustable direction can be available from 0-90 degree



Actual Images



ADJUSTABLE WATTAGE SWITCH SETTING INSTRUCTIONS



Introduction

Power adjustable switch is a manually adjustable switch for adjusting the power (wattage).

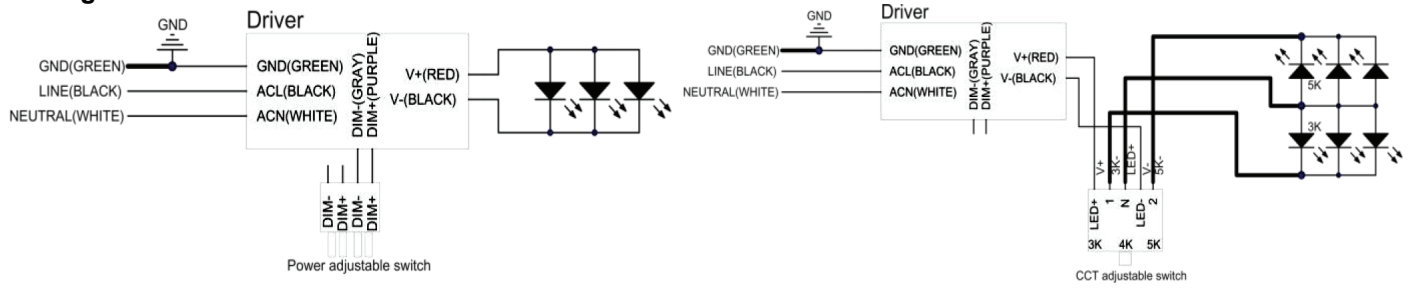
It has 4 adjustable settings (100%, 75%, 50%, 25%).

Note: factory default setting: 100%

Specifications:

Operating Voltage	12-24VDC
Power Adjustable period:	100%, 75%, 50%, 25%
Electrical Life:	2,000 cycles typical
Insulation Resistance:	> 100MΩ min
Operating temperature:	-22°F-158°F (-30°C~+70°C)
Storage temperature:	-40°F-185°F (-40°C~+85°C)

Wiring Connections:



Power Adjustable Switch Setting Instruction:

1. Loosen screws and open the door to setting area.
2. Move left or right “Adjustable button” to get required wattage. (See below picture)



Power Adjustable Switch Setting Instruction

- * The following parameters are for reference only and could be set to but not limited to the following parameters.
- * Values are based on the highest performance package for each fixture size.
- * Lumen values vary by optic type.

Original Watts (W)	DIP Position	Input Watts (W)
40W	100%	40W
	75%	30W
	50%	20W
	25%	10W
80W	100%	80W
	75%	60W
	50%	40W
	25%	20W

3. Reinstall the door, tighten the screws.
4. All wire connections must be made by a licensed electrician..

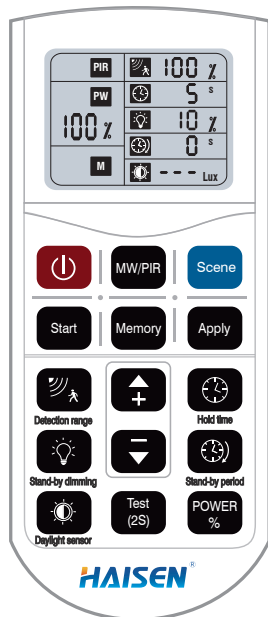
ACCESSORIES

PHOTOCELL



RC REMOTE CONTROL FOR PHOTOCELL

Remote Control Keys Function Introduction



Remote Keys	Keys Function	Keys Introduction
	ON/OFF	Switch ON/OFF the light; Switch OFF the sensor function.
	MW/PIR	Mode Switch
	Reset	Switch to Sensor mode and recover all settings to be factory defaulted setting(Detection area-100%, Hold time-5s, Daylight- Disable, Standby Period-0s, Stand-by dimming level-10%.
	Start	Press the key to start the setting of parameters with memory and apply function under the sensor mode.
	Memory	1. Press "Start", there will be a letter "S" flashes in the lower left corner of the display, then start to set up all parameters;
	Apply	2. After setting all parameters, press "Memory" to store the settings and keep it until the next reset;
	Detection area	3. Press "Apply" to the set sensor with stored settings within the remote IR range ;
	Hold time	4. Note: All data shown in the display are the settings after pressing "Memory".
	Daylight Threshold	Under sensor mode, press the key, the corresponding icon on the display flashes, press "+" / "-" to select the sensitivity.
	Stand-by period	Under sensor mode, press the key, the corresponding icon on the display flashes, press "+" / "-" to select the hold time.
	Stand-by dimming level	Under sensor mode, press the key, the corresponding icon on the display flashes, press "+" / "-" to select the low brightness time.
	UP	Under sensor mode, press the key, the corresponding icon on the display flashes, press "+" / "-" to select the low brightness during stand-by period.
	DOWN	After pressing different parameter keys, press either of the key to adjust(UP/DOWN) the required parameters.
	POWER	Under sensor mode, press "POWER", the letter of "PW" flashes in the middle left of the display, press "+" / "-" to increase/decrease the output power.
	Test mode	Press the key to enter the test mode under sensor mode. It won't be memorized after power OFF. The parameters under test mode is: detection area-100%, hold time-2s, daylight-disable, stand-by period-0s, stand-by dimming level-10%.
Notes	Press "Scene" to reset the remote before using. During the setting of each parameter, the icon will flash for 5s, after that, the setting will be kept automatically.	