

## SATURN SERIES



### Description

The Saturn series features an aluminum housing with PMMA lens. Its modern design sensibilities make it ideal for hotels, reception, shopping malls, or other contemporary environments.

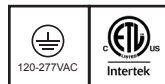
### Electrical Specifications

Wattage Options: 15W / 20W / 30W / 40W / 90W  
CCT: 3000K / 3500K / 4000K / 5000K  
Efficacy: 80 LM/W  
CRI: >90Ra  
Operating Temperature: -20 ~ 40° C / -4 ~ 104°F  
Available Voltages: 120-277VAC (UNV)  
0-10V Dimming Standard  
LM80  
Includes 1500mm / 59" electrical cable

### Certifications and Warranty

ETL listed with 5 year warranty

# SATURN SERIES 15W



## Product Information

15W

Installation:	Suspended (SP - standard), Surface option (CM)
Material:	Aluminum
Finish:	White
System power (W):	15
Fixture lumen output (lm):	1200
System efficiency (lm/W):	80

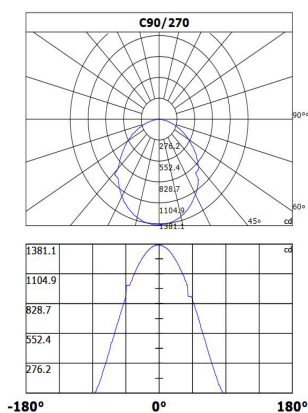
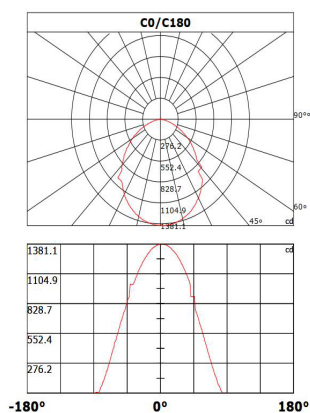
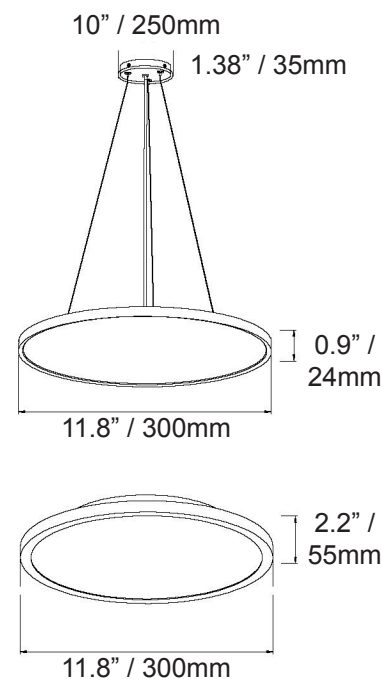
## Packaging

Net weight lamp (kg/lb):	3.7 / 8.16
Gross weight carton (kg/lb):	5.3 / 11.69
Master carton dimensions (mm/in):	360 x 360 x 180 / 14.17 x 14.17 x 7.09
Quantity per carton:	2

## Code composition

Series	Model	Luminous Ways	Size	Mounting	Wattage-Lumens
DR Decorative	SAT Saturn	D Down	12 11.8" (300mm)	SP Suspended (standard) CM Surface	15W-12L 15W-1200lm

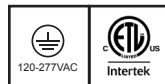
CCT	CRI	Voltage	Dimming	Fixture Finish
30K 3000K	90 90+	UNV 120-277V	D 0-10V Dimming (Standard)	WH White (Standard)
35K 3500K				BK Black
40K 4000K				
50K 5000K				



Height	Center lx	Diameter
1m	1372.55 lx	251.43cm
2m	343.14 lx	502.87cm
3m	152.51 lx	754.30cm
4m	87.78 lx	1005.74cm
5m	54.80 lx	1257.17cm
6m	38.13 lx	1508.60cm
7m	28.09 lx	1760.04cm
8m	21.45 lx	2011.48cm
9m	16.86 lx	2262.91cm
10m	13.73 lx	2514.34cm
11m	11.34 lx	2765.78cm
12m	9.53 lx	3017.21cm
16m	5.36 lx	4022.95cm

Beam Angle: 103.00°(50%Imax)

# SATURN SERIES 20W



## Product Information

20W

Installation:	Suspended (SP - standard), Surface option (CM)
Material:	Aluminum
Finish:	White
System power (W):	20
Fixture lumen output (lm):	1600
System efficiency (lm/W):	80

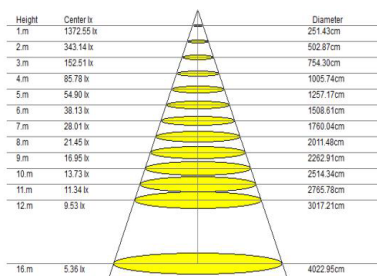
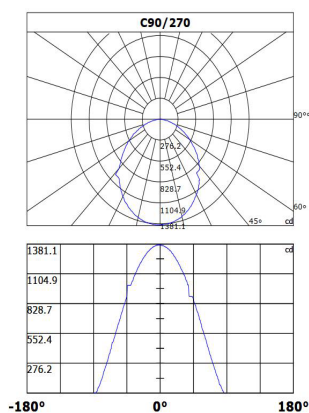
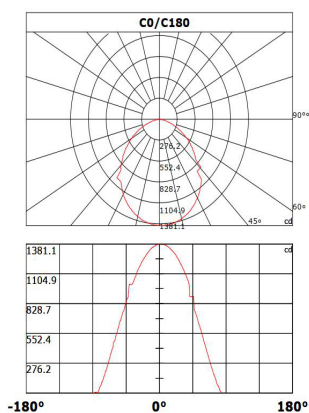
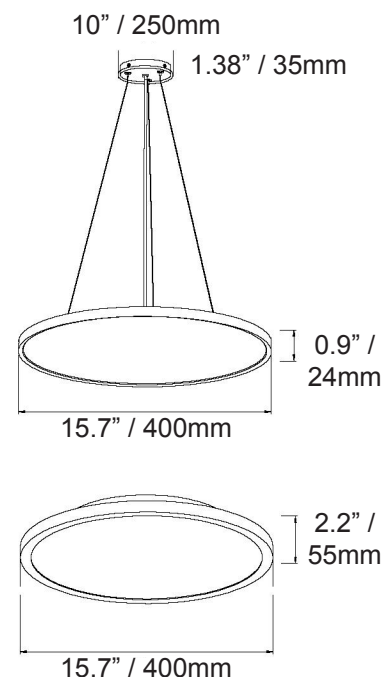
## Packaging

Net weight lamp (kg/lb):	6.3 / 13.89
Gross weight carton (kg/lb):	8.6 / 18.96
Master carton dimensions (mm/in):	460 x 460 x 180 / 18.11 x 18.11 x 7.09
Quantity per carton:	2

## Code composition

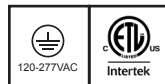
Series	Model	Luminous Ways	Size	Mounting	Wattage-Lumens
DR Decorative	SAT Saturn	D Down	16 15.7" (400mm)	SP Suspended (standard) CM Surface	20W-16L 20W-1600lm

CCT	CRI	Voltage	Dimming	Fixture Finish
30K 3000K	90 90+	UNV 120-277V	D 0-10V Dimming (Standard)	WH White (Standard)
35K 3500K				BK Black
40K 4000K				
50K 5000K				



Beam Angle: 103.00°(50%Imax)

# SATURN SERIES 30W



## Product Information

30W

Installation:	Suspended (SP - standard), Surface option (CM)
Material:	Aluminum
Finish:	White
System power (W):	30
Fixture lumen output (lm):	2400
System efficiency (lm/W):	80

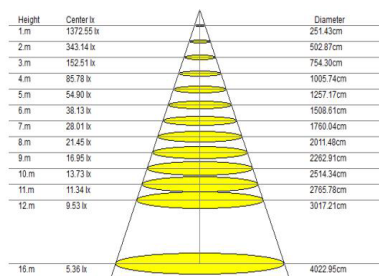
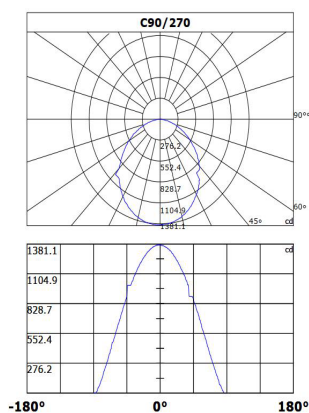
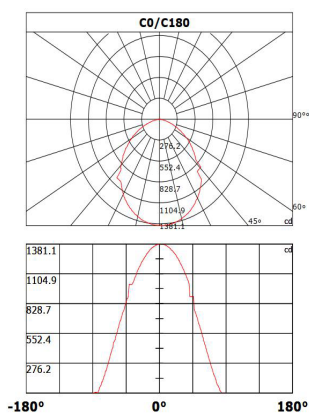
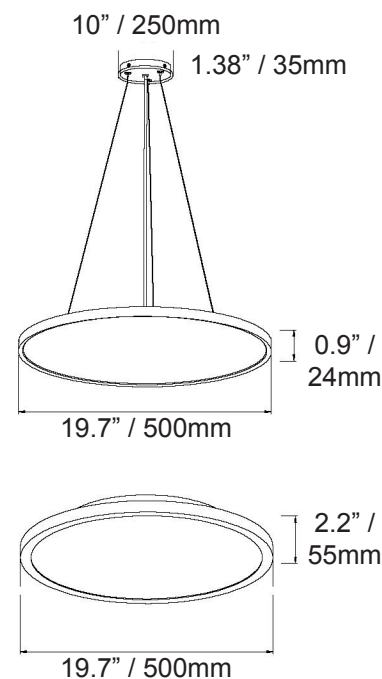
## Packaging

Net weight lamp (kg/lb):	7.8 / 17.2
Gross weight carton (kg/lb):	9.8 / 21.61
Master carton dimensions (mm/in):	560 x 560 x 180 / 22.05 x 22.05 x 7.09
Quantity per carton:	2

## Code composition

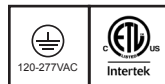
Series	Model	Luminous Ways	Size	Mounting	Wattage-Lumens
DR Decorative	SAT Saturn	D Down	20 19.7" (500mm)	SP Suspended (standard) CM Surface	30W-24L 30W-2400lm

CCT	CRI	Voltage	Dimming	Fixture Finish
30K 3000K	90 90+	UNV 120-277V	D 0-10V Dimming (Standard)	WH White (Standard)
35K 3500K				BK Black
40K 4000K				
50K 5000K				



Beam Angle: 103.00°(50%Imax)

# SATURN SERIES 40W



## Product Information

40W

Installation:	Suspended (SP - standard), Surface option (CM)
Material:	Aluminum
Finish:	White
System power (W):	40
Fixture lumen output (lm):	3200
System efficiency (lm/W):	80

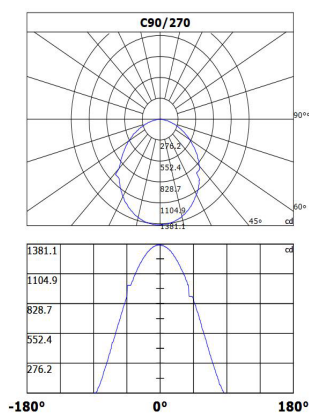
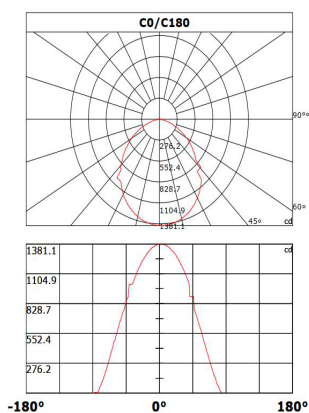
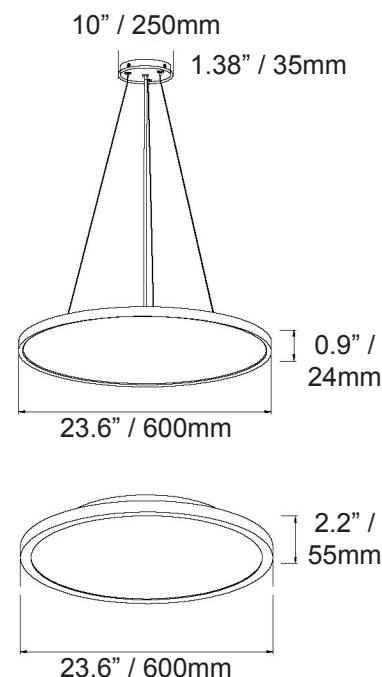
## Packaging

Net weight lamp (kg/lb):	10.5 / 23.15
Gross weight carton (kg/lb):	13.9 / 30.64
Master carton dimensions (mm/in):	660 x 660 x 180 / 25.98 x 25.98 x 7.09
Quantity per carton:	2

## Code composition

Series	Model	Luminous Ways	Size	Mounting	Wattage-Lumens
DR Decorative	SAT Saturn	D Down	24 23.6" (600mm)	SP Suspended (standard) CM Surface	40W-32L 40W-3200lm

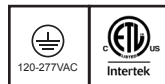
CCT	CRI	Voltage	Dimming	Fixture Finish
30K 3000K	90 90+	UNV 120-277V	D 0-10V Dimming (Standard)	WH White (Standard)
35K 3500K				BK Black
40K 4000K				
50K 5000K				



Height	Center lx	Diameter
1m	1372.55 lx	251.43cm
2m	343.14 lx	502.87cm
3m	152.51 lx	754.30cm
4m	85.78 lx	1005.74cm
5m	54.80 lx	1257.17cm
6m	38.13 lx	1508.60cm
7m	28.09 lx	1760.04cm
8m	21.46 lx	2011.48cm
9m	16.96 lx	2262.91cm
10m	13.73 lx	2514.34cm
11m	11.34 lx	2765.78cm
12m	9.53 lx	3017.21cm
16m	5.36 lx	4022.95cm

Beam Angle: 103.00°(50%Imax)

# SATURN SERIES 90W



## Product Information

90W

Installation:	Suspended (SP - standard), Surface option (CM)
Material:	Aluminum
Finish:	White
System power (W):	90
Fixture lumen output (lm):	7200
System efficiency (lm/W):	80

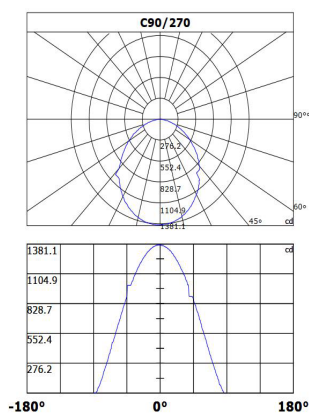
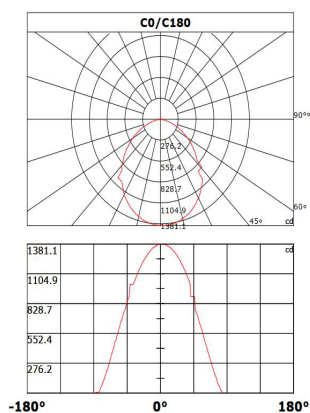
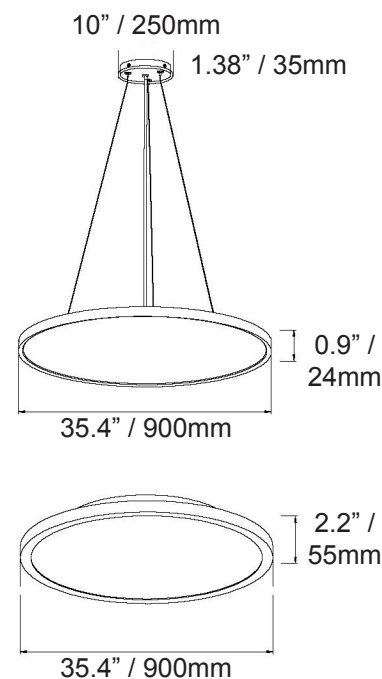
## Packaging

Net weight lamp (kg/lb):	14.2 / 31.31
Gross weight carton (kg/lb):	20.7 / 45.64
Master carton dimensions (mm/in):	960 x 960 x 180 / 37.8 x 37.8 x 7.09
Quantity per carton:	2

## Code composition

Series	Model	Luminous Ways	Size	Mounting	Wattage-Lumens
DR Decorative	SAT Saturn	D Down	36 35.4" (900mm)	SP Suspended (standard) CM Surface	90W-72L 90W-7200lm

CCT	CRI	Voltage	Dimming	Fixture Finish
30K 3000K	90 90+	UNV 120-277V	D 0-10V Dimming (Standard)	WH White (Standard)
35K 3500K				BK Black
40K 4000K				
50K 5000K				



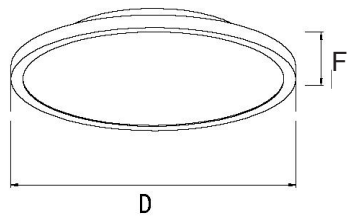
Height	Center lx	Diameter
1m	1372.55 lx	251.43cm
2m	343.14 lx	502.87cm
3m	152.51 lx	754.30cm
4m	85.78 lx	1005.74cm
5m	54.80 lx	1257.17cm
6m	38.13 lx	1508.60cm
7m	28.09 lx	1760.04cm
8m	21.45 lx	2011.48cm
9m	16.86 lx	2262.91cm
10m	13.73 lx	2514.34cm
11m	11.34 lx	2765.78cm
12m	9.53 lx	3017.21cm
16m	5.36 lx	4022.95cm

Beam Angle: 103.00°(50%Imax)

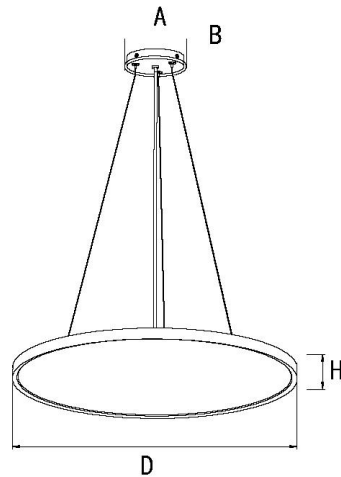
# SATURN SERIES

## DIMENSIONS

Surface Mount



Suspension Mount (Standard)



Model No	Dimension				
	D	F	H	A	B
15W	11.8" / 300mm	2.2" / 55mm	0.9" / 24mm	10.0" / 250mm	1.38" / 35mm
20W	15.7" / 400mm				
30W	19.7" / 500mm				
40W	23.6" / 600mm				
90W	35.4" / 900mm				