

ROME 2 TRACK SERIES

CCT AND WATTAGE SELECTABLE



Description

Rome 2 is a high-performance architectural LED track light designed to deliver high contrast accent or uniform ambient lighting.

A unique segmented reflector and glare mitigation lens delivers the highest quality in beam control and lighting performance complete with an integrated driver. The Track Light comes with an adapter suitable for 3 Wire, 1 circuit Track. The Light head pivots through 90° and rotates through 360°. The housing is made of die-casting aluminum and is powder coated.

Available Wattages:

5 / 10 / 15W (15W Selectable)
15 / 20 / 25W (25W Selectable)
25 / 30 / 35W (35W Selectable)

CCT Selectable: 3000K/3500K/4000K

Clear PMMA Anti-Glare Lens
(Available optics: 15°/24°/36°/60°)

Lumen output is based on 3500K CRI > 90;

Light Efficacy: 90lm/W

Voltage: AC120V, with Triac Dimming

Power Factor: >0.9 (For All Wattages)

Ambient temperature: -10 ~ 35°C / -14~ 95°F

Certifications and Warranty

CE and cETL with 5 year warranty

White Version

RAL reference: 9003



Black Version

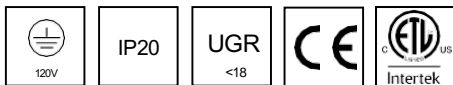
RAL reference: 7021



ROME 2

CCT AND Wattage Selectable

15 WS



Product Information

Installation:	Track 3 Wire, 1 circuits
Material:	Aluminum
Finish:	Powder coat
System power (W):	5/10/15W
Fixture lumen output (lm):	450/900/1350
System efficiency (lm/W):	90
LED driver:	Integrated (OEM Brand)
LED Engine:	Luminus LED

Light source Information

LED typology:	COB
LED power consumption (W):	5/10/15
Lumen output 4000K CRI 90 (lm):	450/900/1350
LED efficiency (lm/W):	90

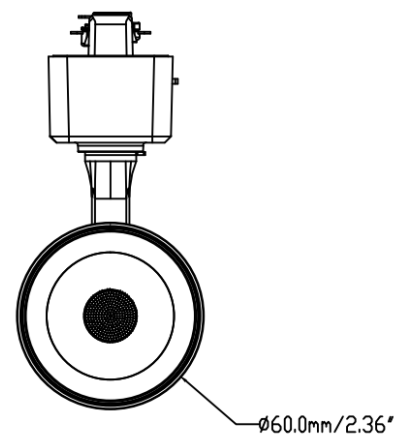
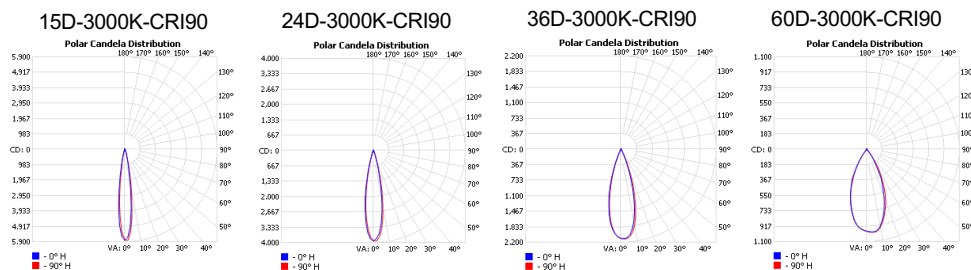
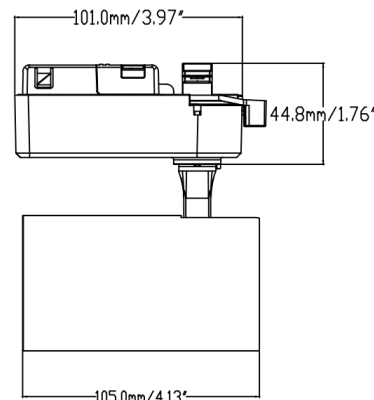
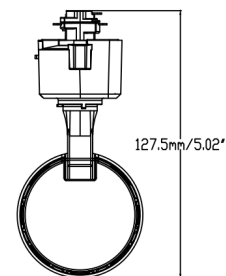
Packaging

Net weight lamp (kg/lb):	0.55/ 1.21
Gross weight carton (kg/lb):	13.5/ 29.76
Master carton dimensions (mm/in):	425x305x385/ 16.73x12.x15.16
Quantity per carton:	20

Code composition

Series	Model	Wattage-Lumens	Optics	Color Temperature
TR	Track Light	RO2 Rome 2	15 15D	CCTS 3000K
			24 24D	3500K
			36 36D	4000K
			60 60D	Selectable

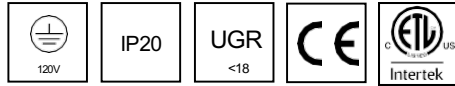
CRI	Voltage	Dimming	Finish	Accessories
90 90+	120V 120V	TD Triac Dimming	WH White BK Black	NA No Accessories



ROME 2

CCT AND Wattage Selectable

25 WS



Product Information

Installation:	Track 3 Wire, 1 circuits
Material:	Aluminum
Finish:	Powder coat
System power (W):	15/20/25W
Fixture lumen output (lm):	1350/1800/2250
System efficiency (lm/W):	90
LED driver:	Integrated (OEM Brand)
LED Engine:	Luminus LED

Light source Information

LED typology:	COB
LED power consumption (W):	15/20/25
Lumen output 4000K CRI 90 (lm):	1350/1800/2250
LED efficiency (lm/W):	90

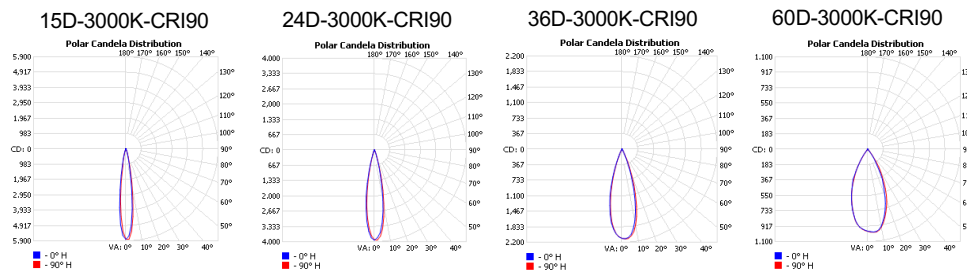
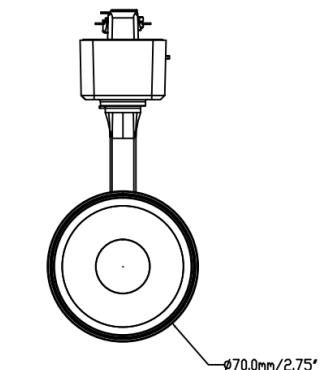
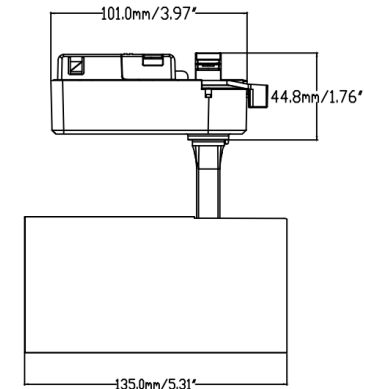
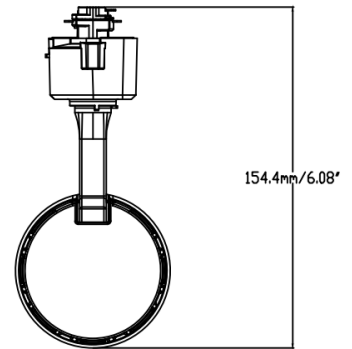
Packaging

Net weight lamp (kg/lb):	0.67/ 1.48
Gross weight carton (kg/lb):	10/ 22.05
Master carton dimensions (mm/in):	500x305x275/ 19.69x12.x10.83
Quantity per carton:	12

Code composition

Series	Model	Wattage-Lumens	Optics	Color Temperature
TR	Track Light	RO2 Rome 2	25WS-22.5L 25WS-2250lm	CCTS 3000K 3500K 4000K Selectable
			15 15D	
			24 24D	
			36 36D	
			60 60D	

CRI	Voltage	Dimming	Finish	Accessories
90 90+	120V 120V	TD Triac Dimming	WH White BK Black	NA No Accessories



ROME 2 CCT AND Wattage Selectable 35 WS



Product Information

Installation:	Track 3 Wire, 1 circuits
Material:	Aluminum
Finish:	Powder coat
System power (W):	25/30/35W
Fixture lumen output (lm):	2250/2700/3150
System efficiency (lm/W):	90
LED driver:	Integrated (OEM Brand)
LED Engine:	Luminus LED

Light source Information

LED typology:	COB
LED power consumption (W):	25/30/35
Lumen output 4000K CRI 90 (lm):	2250/2700/3150
LED efficiency (lm/W):	90

Packaging

Net weight lamp (kg/lb):	0.83/ 1.83
Gross weight carton (kg/lb):	10.5/ 23.15
Master carton dimensions (mm/in):	305x285x485/ 12x11.22x19.09
Quantity per carton:	10

Code composition

Series	Model	Wattage-Lumens	Optics	Color Temperature	
TR	Track Light	RO2 Rome 2	35WS-31.5L 35WS-31.50lm	15 15D 24 24D 36 36D 60 60D	CCTS 3000K 3500K 4000K Selectable

CRI	Voltage	Dimming	Finish	Accessories
90 90+	120V 120V	TD Triac Dimming	WH White BK Black	NA No Accessories

