

RING OUTER SERIES



Description

The **LED Ring Outer** light comes with elegant circle design and with unique inside structure. The Ring Outer is fast and easy to connect, and will last longer than traditional lights while using up to 85% less energy.

Equipped with SMD led chip 2835 LED, the Ring Outer can be suspended directly or from the center with canopy suspension.

Long lifespan: 50,000 hours.

Applications: Office, School, Hospital, Supermarket, Shopping mall, Hotel, Public area, etc.

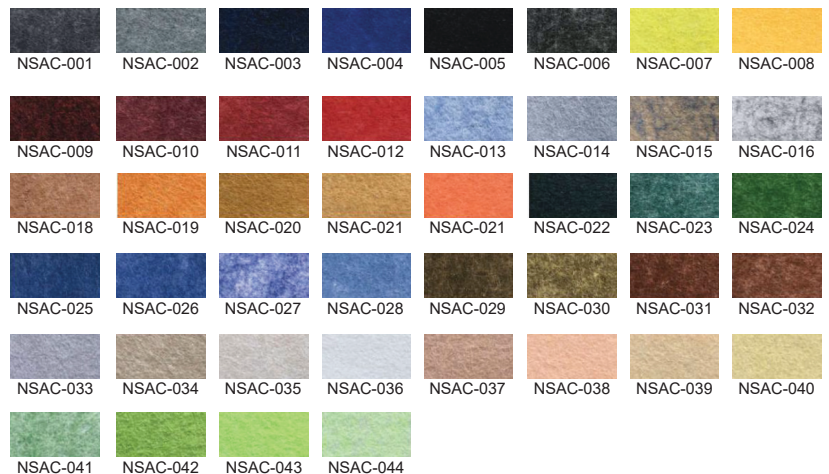
Electrical Specifications

Wattage Options: 32W / 40W / 70W / 80W
 CCT: 3000K / 3500K / 4000K / 5000K
 Efficacy: 70 LM/W
 CRI: >90Ra
 Operating Temperature: -20 ~ 40° C / -4 ~ 104°F
 Available Voltages: 120-277VAC (UNV)
 0-10V Dimming Standard
 LM80
 Includes 1500mm / 59" electrical cable

Certifications and Warranty

ETL listed with 5 year warranty

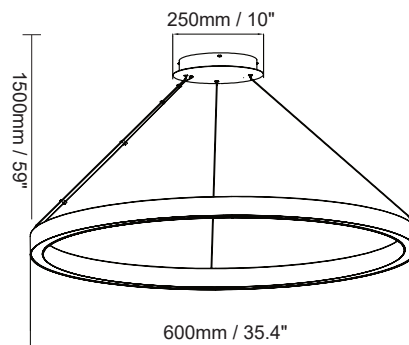
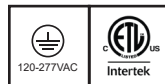
Acoustic fabric colour options



Customizable Colours



RING OUTER SERIES 32W



Product Information

32W

| | |
|----------------------------|-----------|
| Installation: | Suspended |
| Material: | Aluminum |
| Finish: | White |
| System power (W): | 32 |
| Fixture lumen output (lm): | 2240 |
| System efficiency (lm/W): | 70 |

Packaging

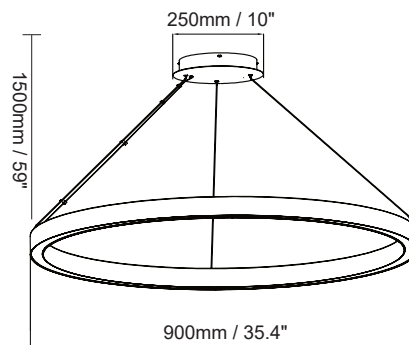
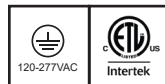
| | |
|-----------------------------------|-------------------------------|
| New weight lamp (kg/lb): | 2.8 / 6.17 |
| Gross weight carton (kg/lb): | 4.8 / 10.58 |
| Master carton dimensions (mm/in): | 690x690x160 / 27.17x27.17x6.3 |
| Quantity per carton: | 1 |

Code composition

| Series | Model | Size | Mounting | Wattage-Lumens |
|---------------|----------------|-------------------|---------------------------------------|----------------------|
| DR Decorative | ROU Ring Outer | 24 23.62" (600mm) | SP Suspended (standard) CM Surface | 32W-22.4L 32W-2240lm |

| CCT | CRI | Voltage | Dimming | Fixture Finish | Acoustic Fabric Finish | Accessories |
|-----------|--------|--------------|----------------------------|---------------------|------------------------|-------------|
| 30K 3000K | 90 90+ | UNV 120-277V | D 0-10V Dimming (Standard) | WH White (Standard) | NSAC-001 NSAC-023 | |
| 35K 3500K | | | | BK Black | NSAC-002 NSAC-024 | |
| 40K 4000K | | | | SL Silver | NSAC-003 NSAC-025 | |
| 50K 5000K | | | | | NSAC-004 NSAC-026 | |
| | | | | | NSAC-005 NSAC-027 | |
| | | | | | NSAC-006 NSAC-028 | |
| | | | | | NSAC-007 NSAC-029 | |
| | | | | | NSAC-008 NSAC-030 | |
| | | | | | NSAC-009 NSAC-031 | |
| | | | | | NSAC-010 NSAC-032 | |
| | | | | | NSAC-011 NSAC-033 | |
| | | | | | NSAC-012 NSAC-034 | |
| | | | | | NSAC-013 NSAC-035 | |
| | | | | | NSAC-014 NSAC-036 | |
| | | | | | NSAC-015 NSAC-037 | |
| | | | | | NSAC-016 NSAC-038 | |
| | | | | | NSAC-017 NSAC-039 | |
| | | | | | NSAC-018 NSAC-040 | |
| | | | | | NSAC-019 NSAC-041 | |
| | | | | | NSAC-020 NSAC-042 | |
| | | | | | NSAC-021 NSAC-043 | |
| | | | | | NSAC-022 NSAC-044 | |

RING OUTER SERIES 40W



Product Information

40W

| | |
|----------------------------|-----------|
| Installation: | Suspended |
| Material: | Aluminum |
| Finish: | White |
| System power (W): | 40 |
| Fixture lumen output (lm): | 2800 |
| System efficiency (lm/W): | 70 |

Packaging

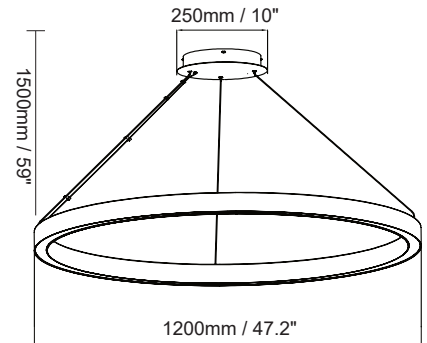
| | |
|-----------------------------------|-------------------------------|
| New weight lamp (kg/lb): | 3.9 / 8.6 |
| Gross weight carton (kg/lb): | 6.4 / 14.11 |
| Master carton dimensions (mm/in): | 990x990x160 / 38.98x38.98x6.3 |
| Quantity per carton: | 1 |

Code composition

| Series | Model | Size | Mounting | Wattage-Lumens |
|---------------|----------------|------------------|---------------------------------------|--------------------|
| DR Decorative | ROU Ring Outer | 35 35.4" (900mm) | SP Suspended (standard) CM Surface | 40W-28L 40W-2800lm |

| CCT | CRI | Voltage | Dimming | Fixture Finish | Acoustic Fabric Finish | Accessories |
|-----------|--------|--------------|----------------------------|---------------------|------------------------|-------------|
| 30K 3000K | 90 90+ | UNV 120-277V | D 0-10V Dimming (Standard) | WH White (Standard) | NSAC-001 NSAC-023 | |
| 35K 3500K | | | | BK Black | NSAC-002 NSAC-024 | |
| 40K 4000K | | | | SL Silver | NSAC-003 NSAC-025 | |
| 50K 5000K | | | | | NSAC-004 NSAC-026 | |
| | | | | | NSAC-005 NSAC-027 | |
| | | | | | NSAC-006 NSAC-028 | |
| | | | | | NSAC-007 NSAC-029 | |
| | | | | | NSAC-008 NSAC-030 | |
| | | | | | NSAC-009 NSAC-031 | |
| | | | | | NSAC-010 NSAC-032 | |
| | | | | | NSAC-011 NSAC-033 | |
| | | | | | NSAC-012 NSAC-034 | |
| | | | | | NSAC-013 NSAC-035 | |
| | | | | | NSAC-014 NSAC-036 | |
| | | | | | NSAC-015 NSAC-037 | |
| | | | | | NSAC-016 NSAC-038 | |
| | | | | | NSAC-017 NSAC-039 | |
| | | | | | NSAC-018 NSAC-040 | |
| | | | | | NSAC-019 NSAC-041 | |
| | | | | | NSAC-020 NSAC-042 | |
| | | | | | NSAC-021 NSAC-043 | |
| | | | | | NSAC-022 NSAC-044 | |

RING OUTER SERIES 70W



Product Information

70W

| | |
|----------------------------|-----------|
| Installation: | Suspended |
| Material: | Aluminum |
| Finish: | White |
| System power (W): | 70 |
| Fixture lumen output (lm): | 4900 |
| System efficiency (lm/W): | 70 |

Packaging

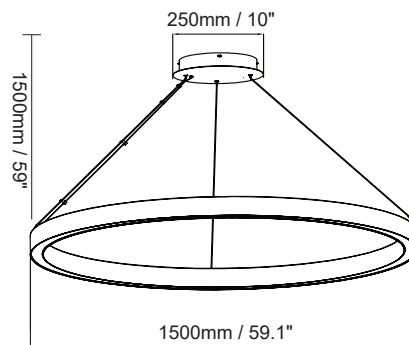
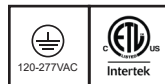
| | |
|-----------------------------------|---------------------------------|
| New weight lamp (kg/lb): | 5.3 / 11.69 |
| Gross weight carton (kg/lb): | 8.8 / 19.4 |
| Master carton dimensions (mm/in): | 1290x1290x160 / 50.79x50.79x6.3 |
| Quantity per carton: | 1 |

Code composition

| Series | Model | Size | Mounting | Wattage-Lumens |
|---------------|----------------|-------------------|---------------------------------------|--------------------|
| DR Decorative | ROU Ring Outer | 47 47.2" (1200mm) | SP Suspended (standard) CM Surface | 70W-49L 70W-4900lm |

| CCT | CRI | Voltage | Dimming | Fixture Finish | Acoustic Fabric Finish | Accessories |
|-----------|--------|--------------|----------------------------|---------------------|------------------------|-------------|
| 30K 3000K | 90 90+ | UNV 120-277V | D 0-10V Dimming (Standard) | WH White (Standard) | NSAC-001 NSAC-023 | |
| 35K 3500K | | | | BK Black | NSAC-002 NSAC-024 | |
| 40K 4000K | | | | SL Silver | NSAC-003 NSAC-025 | |
| 50K 5000K | | | | | NSAC-004 NSAC-026 | |
| | | | | | NSAC-005 NSAC-027 | |
| | | | | | NSAC-006 NSAC-028 | |
| | | | | | NSAC-007 NSAC-029 | |
| | | | | | NSAC-008 NSAC-030 | |
| | | | | | NSAC-009 NSAC-031 | |
| | | | | | NSAC-010 NSAC-032 | |
| | | | | | NSAC-011 NSAC-033 | |
| | | | | | NSAC-012 NSAC-034 | |
| | | | | | NSAC-013 NSAC-035 | |
| | | | | | NSAC-014 NSAC-036 | |
| | | | | | NSAC-015 NSAC-037 | |
| | | | | | NSAC-016 NSAC-038 | |
| | | | | | NSAC-017 NSAC-039 | |
| | | | | | NSAC-018 NSAC-040 | |
| | | | | | NSAC-019 NSAC-041 | |
| | | | | | NSAC-020 NSAC-042 | |
| | | | | | NSAC-021 NSAC-043 | |
| | | | | | NSAC-022 NSAC-044 | |

RING OUTER SERIES 80W



Product Information

80W

| | |
|----------------------------|-----------|
| Installation: | Suspended |
| Material: | Aluminum |
| Finish: | White |
| System power (W): | 80 |
| Fixture lumen output (lm): | 5600 |
| System efficiency (lm/W): | 70 |

Packaging

| | |
|-----------------------------------|-------------------------------|
| New weight lamp (kg/lb): | 6.1 / 13.45 |
| Gross weight carton (kg/lb): | 10 / 22.05 |
| Master carton dimensions (mm/in): | 1590x1590x160 / 62.6x62.6x6.3 |
| Quantity per carton: | 1 |

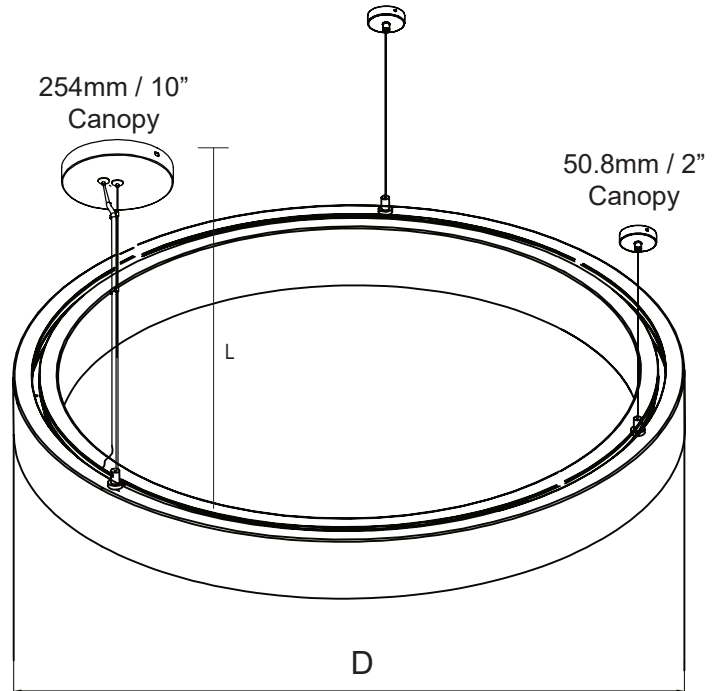
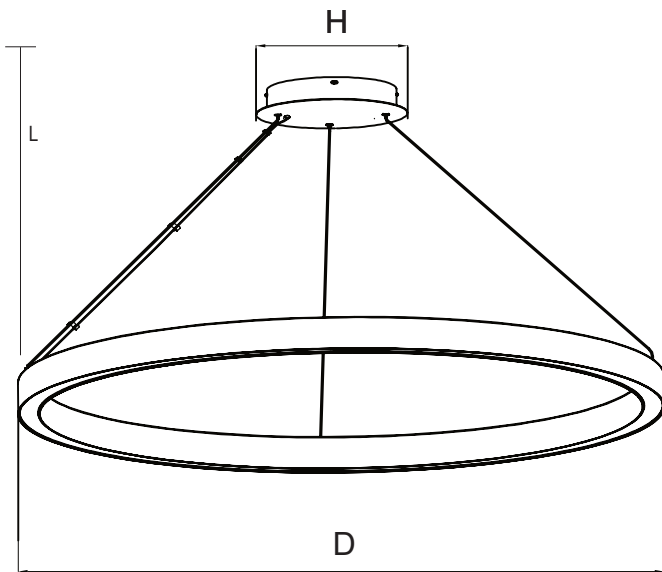
Code composition

| Series | Model | Size | Mounting | Wattage-Lumens |
|---------------|----------------|-------------------|---------------------------------------|--------------------|
| DR Decorative | ROU Ring Outer | 59 59.1" (1200mm) | SP Suspended (standard) CM Surface | 80W-56L 80W-5600lm |

| CCT | CRI | Voltage | Dimming | Fixture Finish | Acoustic Fabric Finish | Accessories |
|-----------|--------|--------------|----------------------------|---------------------|------------------------|-------------|
| 30K 3000K | 90 90+ | UNV 120-277V | D 0-10V Dimming (Standard) | WH White (Standard) | NSAC-001 NSAC-023 | |
| 35K 3500K | | | | BK Black | NSAC-002 NSAC-024 | |
| 40K 4000K | | | | SL Silver | NSAC-003 NSAC-025 | |
| 50K 5000K | | | | | NSAC-004 NSAC-026 | |
| | | | | | NSAC-005 NSAC-027 | |
| | | | | | NSAC-006 NSAC-028 | |
| | | | | | NSAC-007 NSAC-029 | |
| | | | | | NSAC-008 NSAC-030 | |
| | | | | | NSAC-009 NSAC-031 | |
| | | | | | NSAC-010 NSAC-032 | |
| | | | | | NSAC-011 NSAC-033 | |
| | | | | | NSAC-012 NSAC-034 | |
| | | | | | NSAC-013 NSAC-035 | |
| | | | | | NSAC-014 NSAC-036 | |
| | | | | | NSAC-015 NSAC-037 | |
| | | | | | NSAC-016 NSAC-038 | |
| | | | | | NSAC-017 NSAC-039 | |
| | | | | | NSAC-018 NSAC-040 | |
| | | | | | NSAC-019 NSAC-041 | |
| | | | | | NSAC-020 NSAC-042 | |
| | | | | | NSAC-021 NSAC-043 | |
| | | | | | NSAC-022 NSAC-044 | |

RING OUTER SERIES

DIMENSIONS



| Model No | Dimension | | |
|----------|----------------|-------------|--------------|
| | D | H | L |
| 32W | 23.6" / 600mm | 10" / 250mm | 59" / 1500mm |
| 40W | 35.4" / 900mm | | |
| 70W | 47.2" / 1200mm | | |
| 80W | 59.1" / 1500mm | | |

