

## RING INNER SERIES



### Description

The **LED Ring Inner** light comes with elegant circle design and with unique

inside structure. The Ring Inner is fast and easy to connect, and will last longer than traditional lights while using up to 85% less energy.

Equipped with SMD led chip 2835 LED, the Ring Inner can be suspended directly or from the center with canopy suspension.

Long lifespan: 50,000 hours.

Applications: Office, School, Hospital, Supermarket, Shopping mall, Hotel, Public area, etc.

### Electrical Specifications

Wattage Options: 32W / 40W / 70W / 80W

CCT: 3000K / 3500K / 4000K / 5000K

Efficacy: 70 LM/W

CRI: >90Ra

Operating Temperature: -20 ~ 40° C / -4 ~ 104°F

Available Voltages: 120-277VAC (UNV)

0-10V Dimming Standard

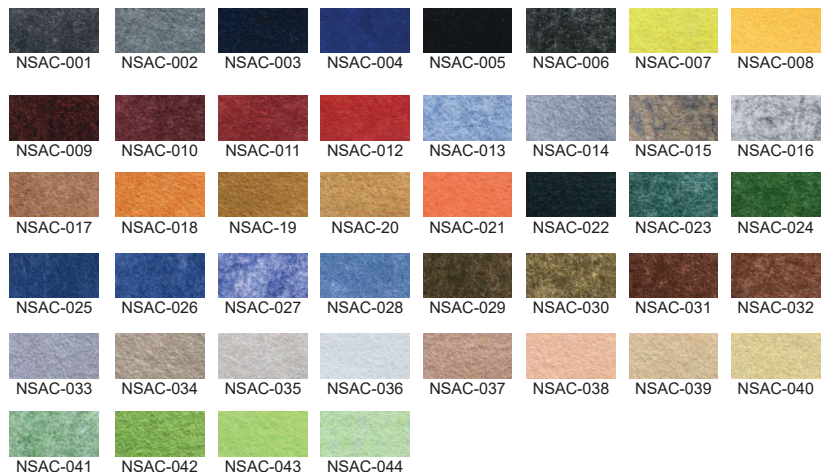
LM80

Includes 1500mm / 59" electrical cable

### Certifications and Warranty

ETL listed with 5 year warranty

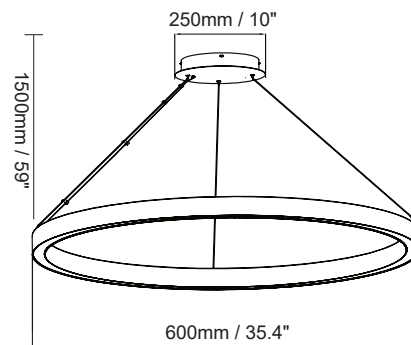
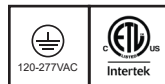
### Acoustic fabric colour options



### Customizable Colours



# RING INNER SERIES 32W



### Product Information

32W

Installation:	Suspended
Material:	Aluminum
Finish:	White
System power (W):	32
Fixture lumen output (lm):	2240
System efficiency (lm/W):	70

### Packaging

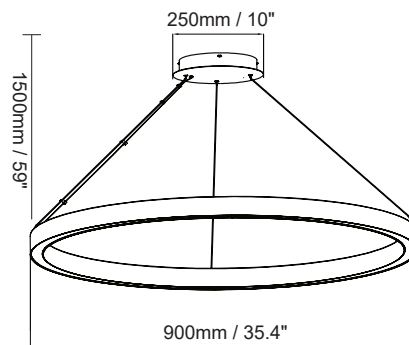
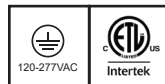
Net weight lamp (kg/lb):	2.8 / 6.17
Gross weight carton (kg/lb):	4.8 / 10.58
Master carton dimensions (mm/in):	690x690x160 / 27.17x27.17x6.3
Quantity per carton:	1

### Code composition

Series	Model	Size	Mounting	Wattage-Lumens
DR Decorative	RIN Ring Inner	24 23.62" (600mm)	SP Suspended (standard) CM Surface	32W-22.4L 32W-2240lm

CCT	CRI	Voltage	Dimming	Fixture Finish	Acoustic Fabric Finish	Accessories
30K 3000K	90 90+	UNV 120-277V	D 0-10V Dimming (Standard)	WH White (Standard)	NSAC-001	NSAC-023
35K 3500K					NSAC-002	NSAC-024
40K 4000K				BK Black	NSAC-003	NSAC-025
50K 5000K				SL Silver	NSAC-004	NSAC-026
					NSAC-005	NSAC-027
					NSAC-006	NSAC-028
					NSAC-007	NSAC-029
					NSAC-008	NSAC-030
					NSAC-009	NSAC-031
					NSAC-010	NSAC-032
					NSAC-011	NSAC-033
					NSAC-012	NSAC-034
					NSAC-013	NSAC-035
					NSAC-014	NSAC-036
					NSAC-015	NSAC-037
					NSAC-016	NSAC-038
					NSAC-017	NSAC-039
					NSAC-018	NSAC-040
					NSAC-019	NSAC-041
					NSAC-020	NSAC-042
					NSAC-021	NSAC-043
					NSAC-022	NSAC-044

# RING INNER SERIES 40W



### Product Information

40W

Installation:	Suspended
Material:	Aluminum
Finish:	White
System power (W):	40
Fixture lumen output (lm):	2800
System efficiency (lm/W):	70

### Packaging

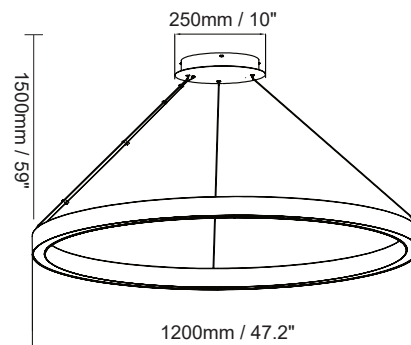
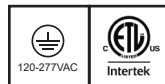
Net weight lamp (kg/lb):	3.9 / 8.6
Gross weight carton (kg/lb):	6.4 / 14.11
Master carton dimensions (mm/in):	990x990x160 / 38.98x38.98x6.3
Quantity per carton:	1

### Code composition

Series	Model	Size	Mounting	Wattage-Lumens
DR Decorative	RIN Ring Inner	35 35.4" (900mm)	SP Suspended (standard) CM Surface	40W-28L 40W-2800lm

CCT	CRI	Voltage	Dimming	Fixture Finish	Acoustic Fabric Finish	Accessories
30K 3000K	90 90+	UNV 120-277V	D 0-10V Dimming (Standard)	WH White (Standard)	NSAC-001 NSAC-023	
35K 3500K				BK Black	NSAC-002 NSAC-024	
40K 4000K				SL Silver	NSAC-003 NSAC-025	
50K 5000K					NSAC-004 NSAC-026	
					NSAC-005 NSAC-027	
					NSAC-006 NSAC-028	
					NSAC-007 NSAC-029	
					NSAC-008 NSAC-030	
					NSAC-009 NSAC-031	
					NSAC-010 NSAC-032	
					NSAC-011 NSAC-033	
					NSAC-012 NSAC-034	
					NSAC-013 NSAC-035	
					NSAC-014 NSAC-036	
					NSAC-015 NSAC-037	
					NSAC-016 NSAC-038	
					NSAC-017 NSAC-039	
					NSAC-018 NSAC-040	
					NSAC-019 NSAC-041	
					NSAC-020 NSAC-042	
					NSAC-021 NSAC-043	
					NSAC-022 NSAC-044	

# RING INNER SERIES 70W



### Product Information

70W

Installation:	Suspended
Material:	Aluminum
Finish:	White
System power (W):	70
Fixture lumen output (lm):	4900
System efficiency (lm/W):	70

### Packaging

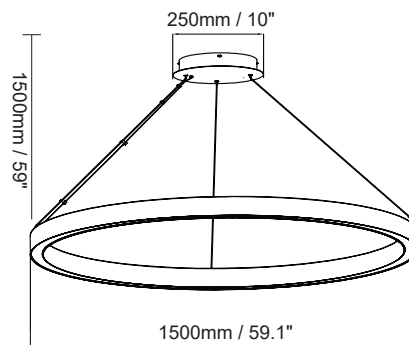
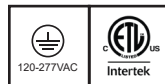
Net weight lamp (kg/lb):	5.3 / 11.69
Gross weight carton (kg/lb):	8.8 / 19.4
Master carton dimensions (mm/in):	1290x1290x160 / 50.79x50.79x6.3
Quantity per carton:	1

### Code composition

Series	Model	Size	Mounting	Wattage-Lumens
DR Decorative	RIN Ring Inner	47 47.2" (1200mm)	SP Suspended (standard)	70W-49L 70W-4900lm
			CM Surface	

CCT	CRI	Voltage	Dimming	Fixture Finish	Acoustic Fabric Finish	Accessories
30K 3000K	90 90+	UNV 120-277V	D 0-10V Dimming (Standard)	WH White (Standard)	NSAC-001 NSAC-023	
35K 3500K				BK Black	NSAC-002 NSAC-024	
40K 4000K				SL Silver	NSAC-003 NSAC-025	
50K 5000K					NSAC-004 NSAC-026	
					NSAC-005 NSAC-027	
					NSAC-006 NSAC-028	
					NSAC-007 NSAC-029	
					NSAC-008 NSAC-030	
					NSAC-009 NSAC-031	
					NSAC-010 NSAC-032	
					NSAC-011 NSAC-033	
					NSAC-012 NSAC-034	
					NSAC-013 NSAC-035	
					NSAC-014 NSAC-036	
					NSAC-015 NSAC-037	
					NSAC-016 NSAC-038	
					NSAC-017 NSAC-039	
					NSAC-018 NSAC-040	
					NSAC-019 NSAC-041	
					NSAC-020 NSAC-042	
					NSAC-021 NSAC-043	
					NSAC-022 NSAC-044	

# RING INNER SERIES 80W



### Product Information

**80W**

Installation:	Suspended
Material:	Aluminum
Finish:	White
System power (W):	80
Fixture lumen output (lm):	5600
System efficiency (lm/W):	70

### Packaging

Net weight lamp (kg/lb):	6.1 / 13.45
Gross weight carton (kg/lb):	10 / 22.05
Master carton dimensions (mm/in):	1590x1590x160 / 62.6x62.6x6.3
Quantity per carton:	1

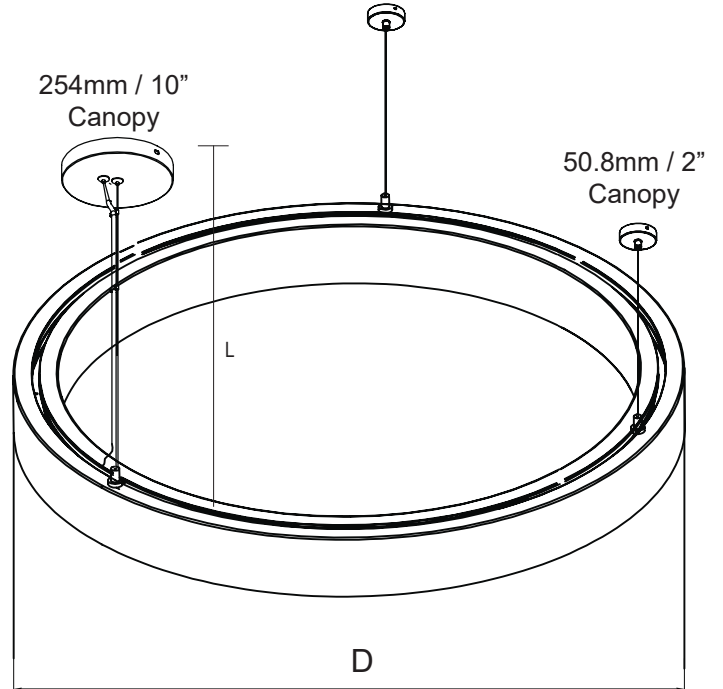
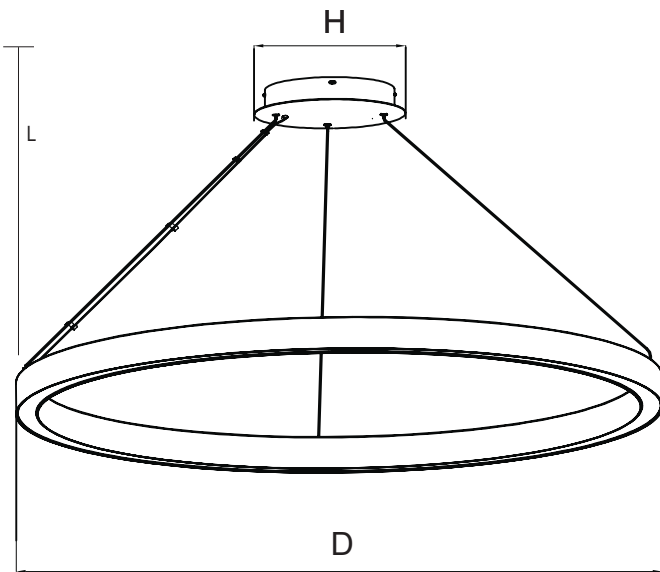
### Code composition

Series	Model	Size	Mounting	Wattage-Lumens
DR Decorative	RIN Ring Inner	59 59.1" (1200mm)	SP Suspended (standard) CM Surface	80W-56L 80W-5600lm

CCT	CRI	Voltage	Dimming	Fixture Finish	Acoustic Fabric Finish	Accessories
30K 3000K	90 90+	UNV 120-277V	D 0-10V Dimming (Standard)	WH White (Standard)	NSAC-001	NSAC-023
35K 3500K				BK Black	NSAC-002	NSAC-024
40K 4000K				SL Silver	NSAC-003	NSAC-025
50K 5000K					NSAC-004	NSAC-026
					NSAC-005	NSAC-027
					NSAC-006	NSAC-028
					NSAC-007	NSAC-029
					NSAC-008	NSAC-030
					NSAC-009	NSAC-031
					NSAC-010	NSAC-032
					NSAC-011	NSAC-033
					NSAC-012	NSAC-034
					NSAC-013	NSAC-035
					NSAC-014	NSAC-036
					NSAC-015	NSAC-037
					NSAC-016	NSAC-038
					NSAC-017	NSAC-039
					NSAC-018	NSAC-040
					NSAC-019	NSAC-041
					NSAC-020	NSAC-042
					NSAC-021	NSAC-043
					NSAC-022	NSAC-044

# RING INNER SERIES

## DIMENSIONS



Model No	Dimension		
	D	H	L
32W	23.6" / 600mm	10" / 250mm	59" / 1500mm
40W	35.4" / 900mm		
70W	47.2" / 1200mm		
80W	59.1" / 1500mm		

