

RING SERIES (CENTER SUSPENDED)

INSTALLATION MANUAL



Please read this installation manual carefully before installation, keep it for future reference!

Products are well packed and performing well before leave factory. Please strictly follow the instructions listed in the manual. Factory or distributor shall not be hold responsible for any misoperation or damage caused by not following up the manual!

Installation steps:

1. Open carton box and take out light and accessories. Put the light and all accessories on a flat surface, lens side downwards.

2. For the Ring diameter is bigger than 1.5meter, NEW SHINE delivery them by spare parts, and should be assembled it on site. The light body assemble step as below.

a, Following the pictures to assemble the hanging kit and then insert the kit to the slot of the alu. profile. (The qty of hanging kits are same as body section qty)



Important remark:

Please remember to put the suitable qty of hanging kit at the suitable position according to different size BEFORE DOING THE CONNECTION WITH JOINERS. THE POSITION OF HANGING KITS CAN NOT BE ADJUSTED AFTER DOING THE CONNECTION.

b, Connect all the sections with the joiners up and down as shown on pictures below, adjust the position properly and then fix with M5*12 self tapping screws



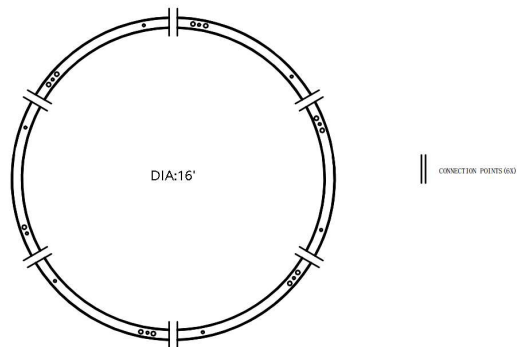
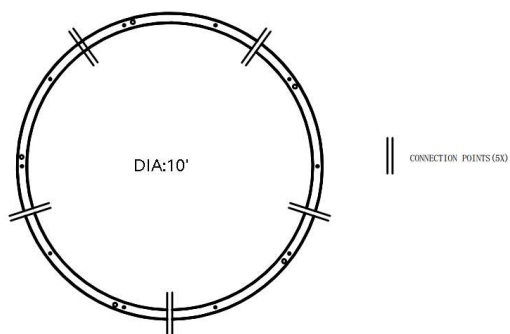
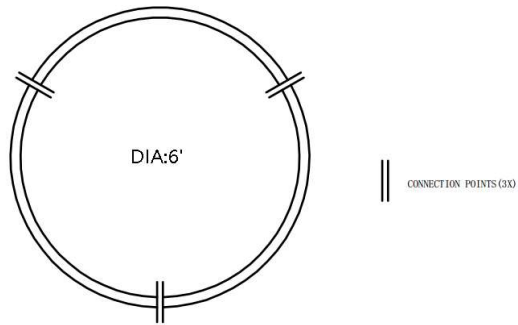
Important remark:

b1. Please find a very flat surface for connection, and carefully match the sections before fixing.

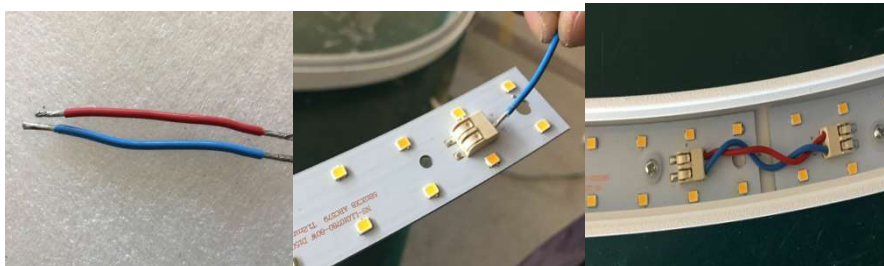
b2. the qty of the connection body section is as below:

RING SERIES (CENTER SUSPENDED)

INSTALLATION MANUAL



- c. Connect the LEDPCB sections Al-PCB wire connection diagram refer to attachment. All Al-pcbs be connected one by one. Following the connection as shown on the picture below.



Important remark:

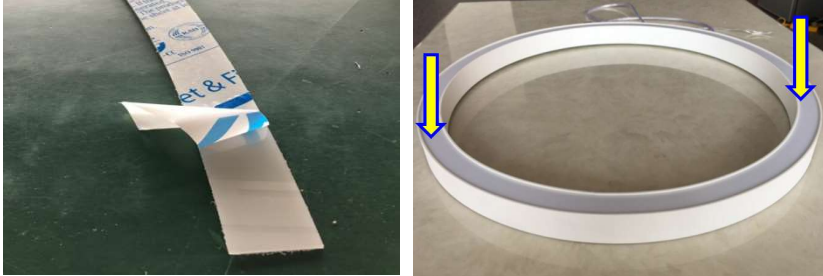
The qty of Al-pcb is body section qty*2.

RING SERIES (CENTER SUSPENDED)

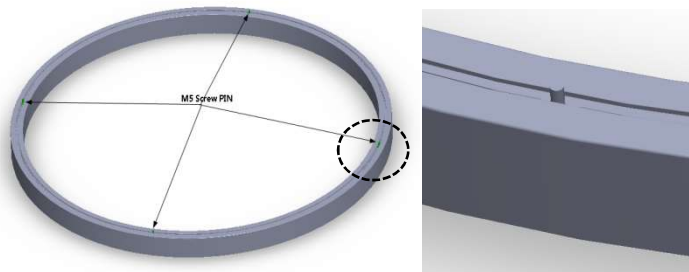
INSTALLATION MANUAL

d. Pull the power cable from light body with LED driver.

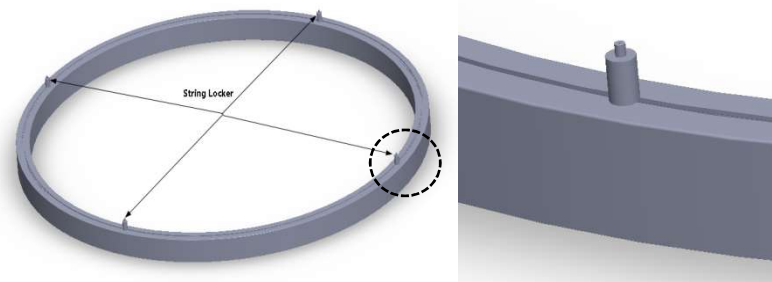
e. Take out PC lens, then push and insert (up-down direction) the lens into the slot of the profile and fix it.



3. Properly position the M5 hanging pin in the slot of the ring, with same spacing between each other. See below picture for reference:



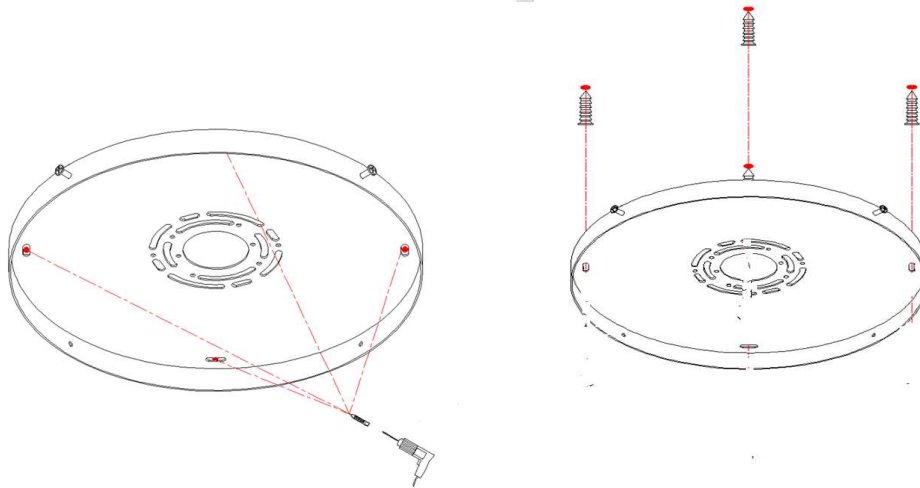
4. Lock the strain relief with M5 hanging pins, see pictures below:



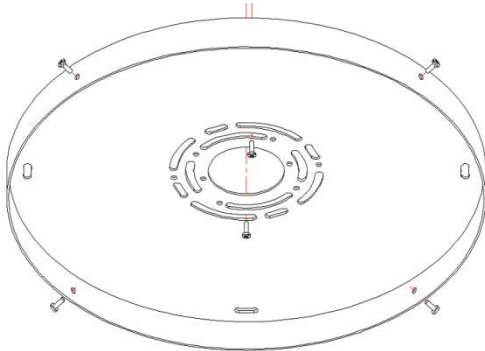
5. Take out Plastic Pin, drill holes on the ceiling according to Support Bracket. Fixing hole diameter is 8mm. Insert the expansion bolts into the holes.

RING SERIES (CENTER SUSPENDED)

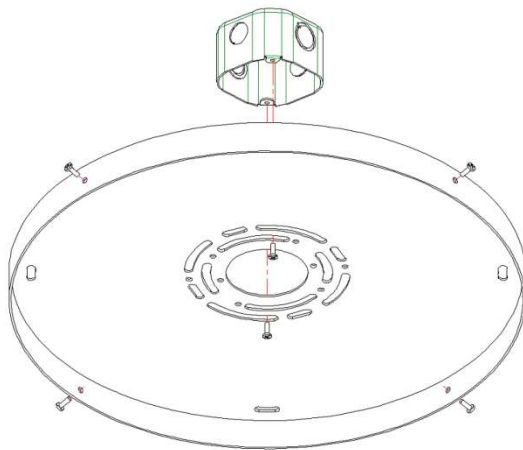
INSTALLATION MANUAL



6.Lock M4*25 Screw with Support Bracket from side, keep the distance from screw head to Support Bracket as 5mm.



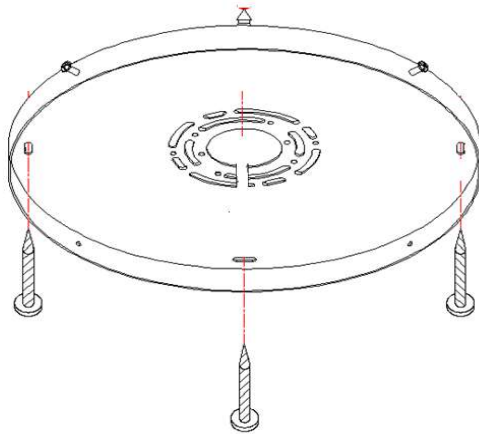
7.Use Screws to fix Support Bracket with J-Box, refer to picture shown below.



8.Use M4*25 Self-Tapping screw to fix Support Bracket on the ceiling.

RING SERIES (CENTER SUSPENDED)

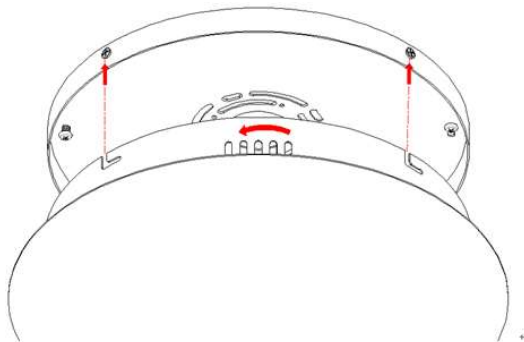
INSTALLATION MANUAL



Attention: Must secure mounting plate at all connection points (junction box plus four outer points for small and medium size, or six outer points for large size) to support fixture weight appropriately. Not using all mounting points could damage the fixture and void product warranty.

9. Connect wire cable from connector, after finish it, put all the wire connector into J-Box.

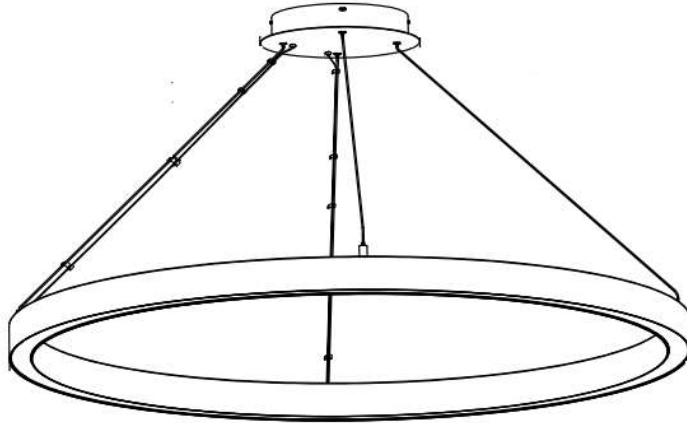
10. Keep the Slot hole as vertical line with side screw, and fix screw into slot, then rotate ceiling disk and fix it. See picture below for reference:



11. Have the two ends of the suspension chain insert into the lighting fixture and strain relief from the ceiling pan, then the suspension chain is fixed. Then the ring light is hung! Turn on electricity, ring light will on. Finish installation. See picture below for the installed ring light.

RING SERIES (CENTER SUSPENDED)

INSTALLATION MANUAL



Cautions:

- Application temperature for ring light is $-20^{\circ}\text{C}\sim 40^{\circ}\text{C}$, humidity is 0~95%. Otherwise there may be harm to the lifespan of the ring light.
- Indoor use only, IP20.
- Turn off electricity before any installation. Only certificated electrician or trained people can be qualified with installation or maintenance.
- Caution on fire, electricity and shake.
- Combustible is not allowed to cover the ring light!
- Attention to tighten all screws, expansion bolts, wire nuts, etc, can't be loose. And connect the anode and cathode of the power supply properly.

RING SERIES (DIRECT SUSPENDED)

INSTALLATION MANUAL



Please read this installation manual carefully before installation, keep it for future reference!

Products are well packed and performing well before leave factory. Please strictly follow the instructions listed in the manual. Factory or distributor shall not be hold responsible for any misoperation or damage caused by not following up the manual!

Installation steps:

1. Open carton box and take out light and accessories. Put the light and all accessories on a flat surface, lens side downwards.

2. For the Ring diameter is bigger than 1.5meter, NEW SHINE delivery them by spare parts, and should be assembled it on site. The light body assemble step as below.

a, Following the pictures to assemble the hanging kit and then insert the kit to the slot of the alu. profile. (The qty of hanging kits are same as body section qty)



Important remark:

Please remember to put the suitable qty of hanging kit at the suitable position according to different size BEFORE DOING THE CONNECTION WITH JOINERS. THE POSITION OF HANGING KITS CAN NOT BE ADJUSTED AFTER DOING THE CONNECTION.

b, Connect all the sections with the joiners up and down as shown on pictures below, adjust the position properly and then fix with M5*12 self tapping screws



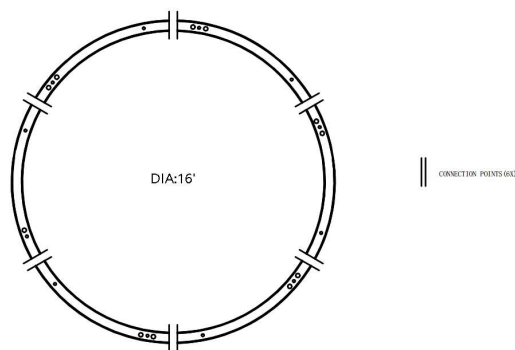
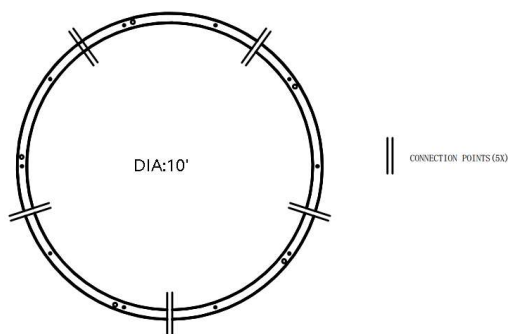
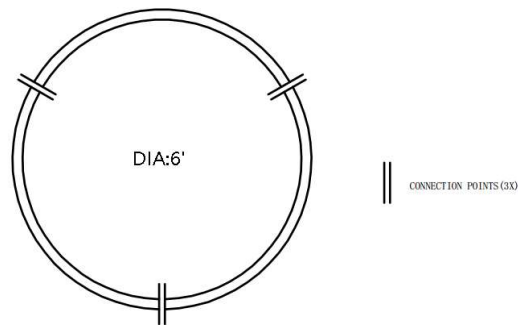
Important remark:

b1. Please find a very flat surface for connection, and carefully match the sections before fixing.

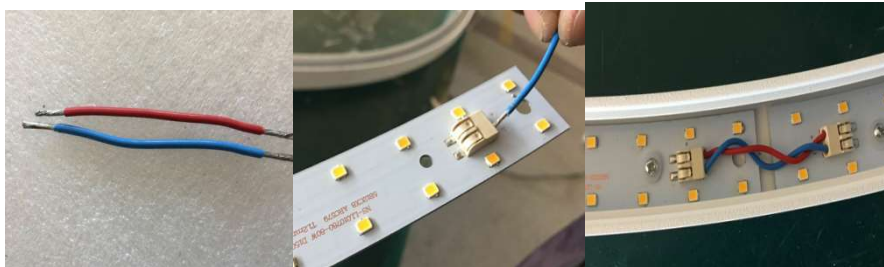
b2. the qty of the connection body section is as below:

RING SERIES (DIRECT SUSPENDED)

INSTALLATION MANUAL



- c. Connect the LEDPCB sections Al-PCB wire connection diagram refer to attachment.All Al-pcbs be connected one by one. Following the connection as shown on the picture below.



Important remark:

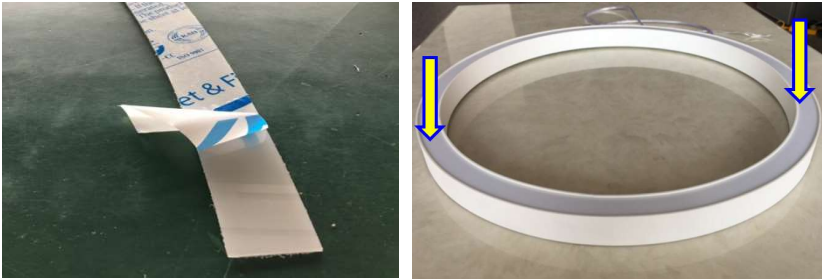
The qty of Al-pcb is body section qty*2.

- d. Pull the power cable from light body with LED driver.

RING SERIES (DIRECT SUSPENDED)

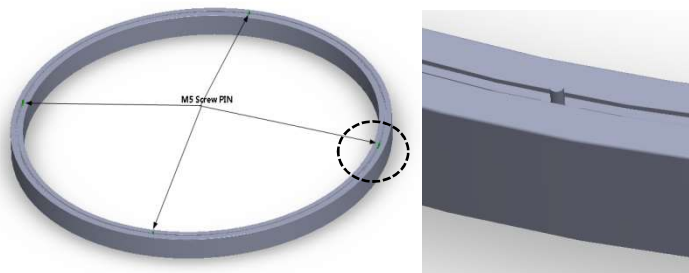
INSTALLATION MANUAL

e. Take out PC lens, then push and insert (up-down direction)the lens into the slot of the profile and fix it.

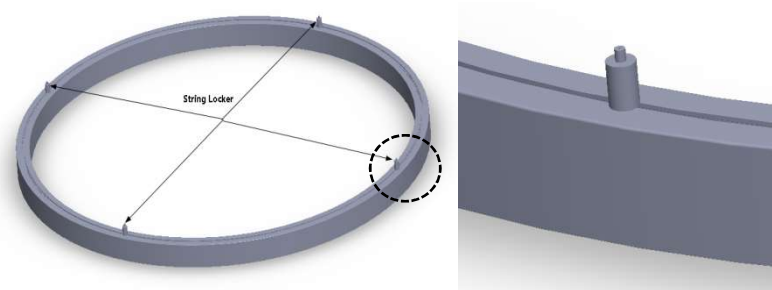


3. Properly position the M5 hanging pin in the slot of the ring, with same spacing between each other.

See below picture for reference:



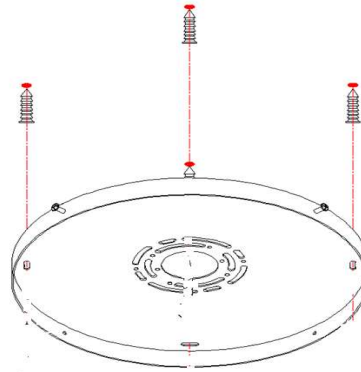
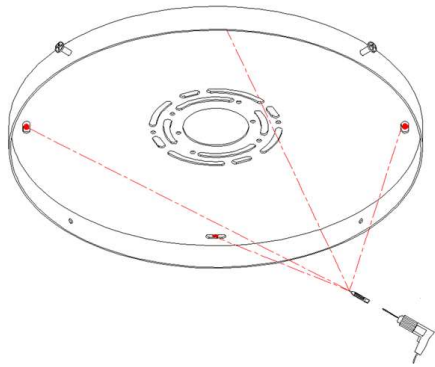
4. Lock the strain relief with M5 hanging pins, see pictures below:



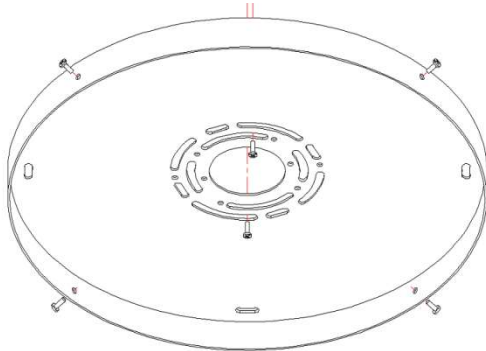
5. Take out Plastic Pin, drill holes on the ceiling according to Support Bracket. Fixing hole diameter is 8mm. Insert the expansion bolts into the holes.

RING SERIES (DIRECT SUSPENDED)

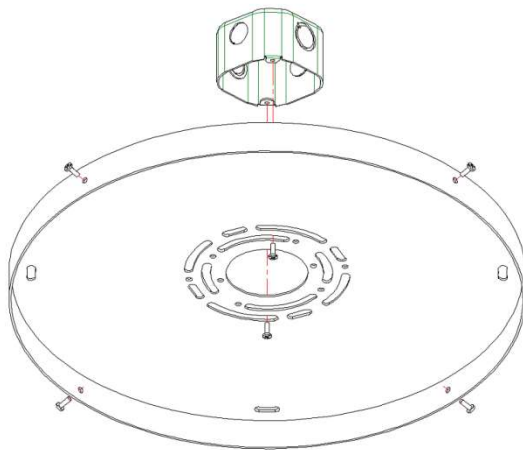
INSTALLATION MANUAL



6.Lock M4*25 Screw with Support Bracket from side, keep the distance from screw head to Support Bracket as 5mm.



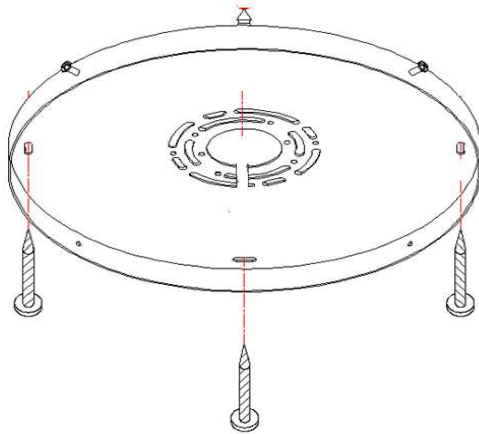
7.Use Screws to fix Support Bracket with J-Box, refer to picture shown below.



8.Use M4*25 Self-Tapping screw to fix Support Bracket on the ceiling.

RING SERIES (DIRECT SUSPENDED)

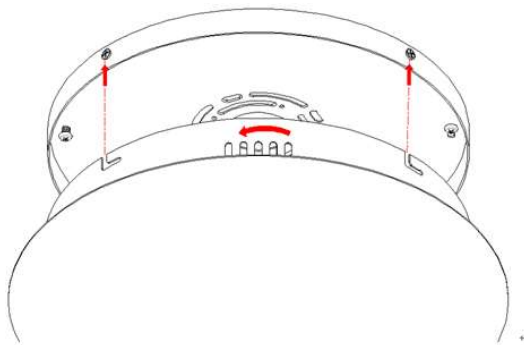
INSTALLATION MANUAL



Attention: Must secure mounting plate at all connection points (junction box plus four outer points for small and medium size, or six outer points for large size) to support fixture weight appropriately. Not using all mounting points could damage the fixture and void product warranty.

9. Connect wire cable from connector, after finish it, put all the wire connector into J-Box.

10. Keep the Slot hole as vertical line with side screw, and fix screw into slot, then rotate ceiling disk and fix it. See picture below for reference:(This is just for Driver fixing and Place)

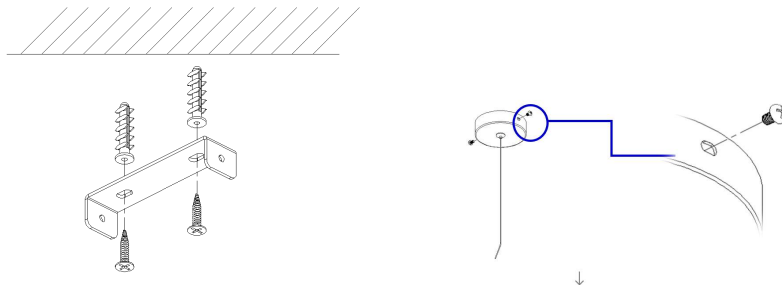


11. Have the two ends of the cable chain insert into the lighting fixture and strain relief from the ceiling pan, then the cable is fixed.

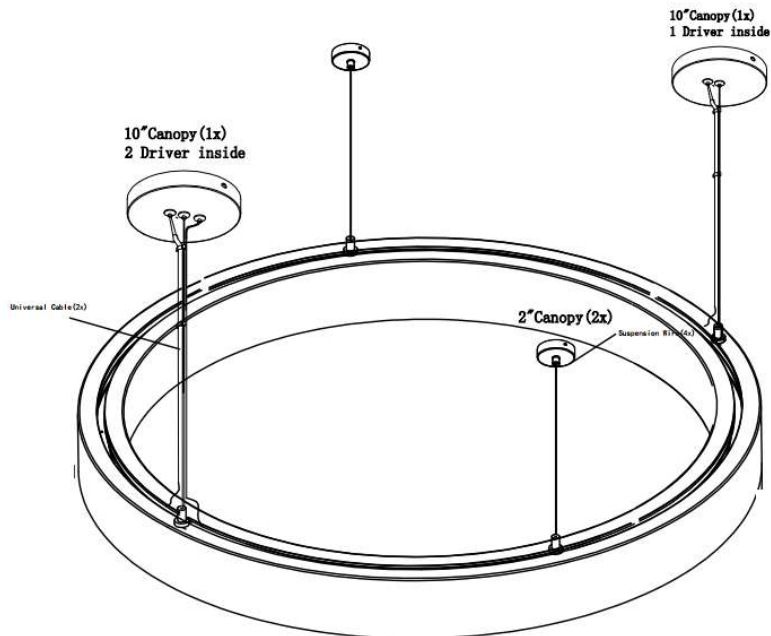
12. Relocate the fixing holes to be punched on the ceiling, drill 8mm diameter hole in the ceiling, and then insert the expansion bolt into the hole in the ceiling. Fix the sponge bolts into the holes and fix the 3 small hanging plate by screws to the ceiling tightly.

RING SERIES (DIRECT SUSPENDED)

INSTALLATION MANUAL



13. Have the two ends of the rope chain insert into the lighting fixture and Fix Pin, Then the ring light is hung! Turn on electricity, ring light will on. Finish installation. See picture below for the installed ring light.



Cautions:

- Application temperature for ring light is $-20^{\circ}\text{C}\sim 40^{\circ}\text{C}$, humidity is 0~95%. Otherwise there may be harm to the lifespan of the ring light.
- Indoor use only, IP20.
- Turn off electricity before any installation. Only certificated electrician or trained people can be qualified with installation or maintenance.
- Caution on fire, electricity and shake.
- Combustible is not allowed to cover the ring light!
- Attention to tighten all screws, expansion bolts, wire nuts, etc, can't be loose. And connect the anode and cathode of the power supply properly.