

RING DOWN SERIES



Description

The Ring Down series features an aluminum housing with polycarbonate lens. It's modern design sensibilities make it ideal for hotels, reception, shopping malls, or other contemporary environments.

Electrical Specifications

Wattage Options: 40W / 50W / 80W / 100W / 120W / 200W / 400W
 CCT: 3000K / 3500K / 4000K / 5000K
 Efficacy: 70 LM/W
 CRI: >90Ra
 Operating Temperature: -20 ~ 40° C / -4 ~ 104°F
 Available Voltages: 120-277VAC (UNV)
 0-10V Dimming Standard
 LM80
 Includes 1500mm / 59" electrical cable

Customizable Colours

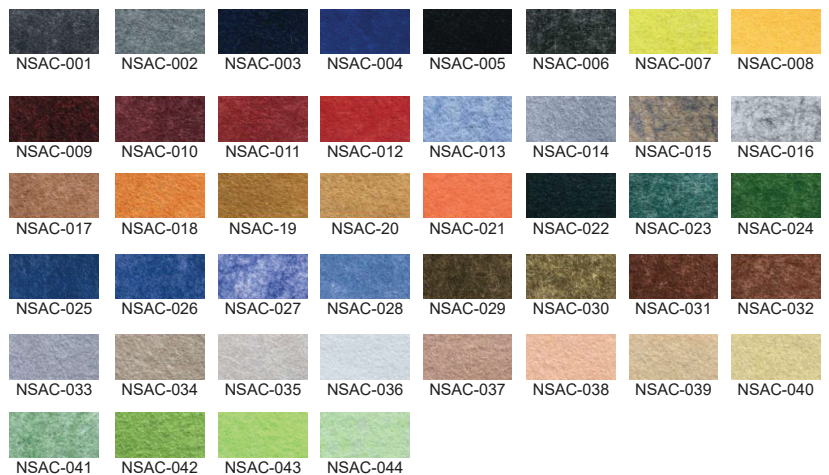


Certifications and Warranty

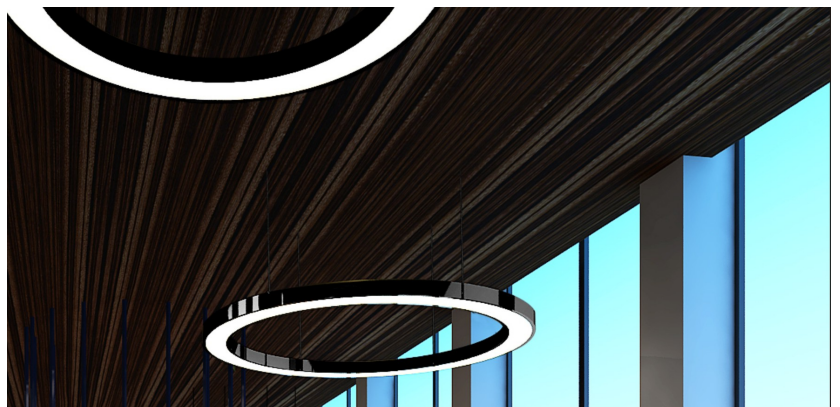
ETL listed with 5 year warranty

Acoustic fabric colour options

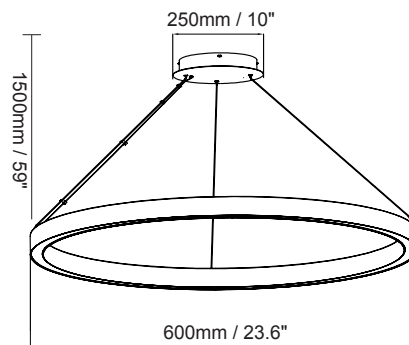
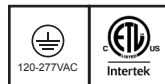
(Fabric is only available for 40, 50, 80 and 100 Watt Only)



Applications



RING DOWN SERIES 40W



Product Information

40W

Installation:	Suspended
Material:	Aluminum
Finish:	White
System power (W):	40
Fixture lumen output (lm):	3400
System efficiency (lm/W):	85

Packaging

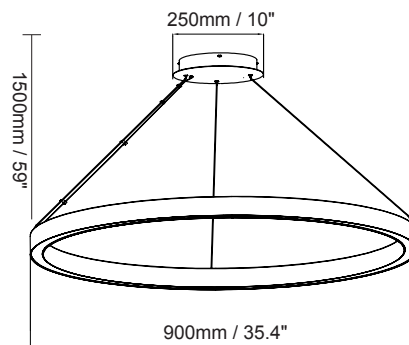
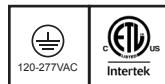
Net weight lamp (kg/lb):	4.1 / 9.04
Gross weight carton (kg/lb):	6.3 / 13.89
Master carton dimensions (mm/in):	690x690x160 / 27.17x27.17x6.30
Quantity per carton:	1

Code composition

Series	Model	Size	Mounting	Wattage-Lumens
DR	Decorative RD Ring Down	24 24" (609.6mm)	SP Suspended (standard) CM Surface	40W-34L 40W-3400lm

CCT	CRI	Voltage	Dimming	Fixture Finish	Acoustic Fabric Finish	Accessories
30K 3000K	90 90+	UNV 120-277V	D 0-10V Dimming (Standard)	WH White (Standard)	NSAC-001 NSAC-023	
35K 3500K				BK Black	NSAC-002 NSAC-024	
40K 4000K				SL Silver	NSAC-003 NSAC-025	
50K 5000K					NSAC-004 NSAC-026	
					NSAC-005 NSAC-027	
					NSAC-006 NSAC-028	
					NSAC-007 NSAC-029	
					NSAC-008 NSAC-030	
					NSAC-009 NSAC-031	
					NSAC-010 NSAC-032	
					NSAC-011 NSAC-033	
					NSAC-012 NSAC-034	
					NSAC-013 NSAC-035	
					NSAC-014 NSAC-036	
					NSAC-015 NSAC-037	
					NSAC-016 NSAC-038	
					NSAC-017 NSAC-039	
					NSAC-018 NSAC-040	
					NSAC-019 NSAC-041	
					NSAC-020 NSAC-042	
					NSAC-021 NSAC-043	
					NSAC-022 NSAC-044	

RING DOWN SERIES 50W



Product Information

50W

Installation:	Suspended
Material:	Aluminum
Finish:	White
System power (W):	50
Fixture lumen output (lm):	4250
System efficiency (lm/W):	85

Packaging

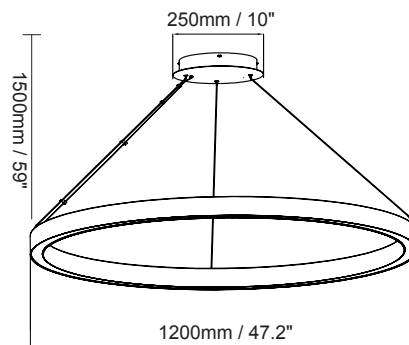
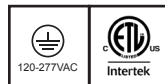
Net weight lamp (kg/lb):	5.4 / 11.91
Gross weight carton (kg/lb):	8.8 / 19.40
Master carton dimensions (mm/in):	990x990x160 / 38.97x38.97x6.30
Quantity per carton:	1

Code composition

Series	Model	Size	Mounting	Wattage-Lumens
DR Decorative	RD Ring Down	35 35.4" (609.6mm)	SP Suspended (standard) CM Surface	50W-42.5L 50W-4250lm

CCT	CRI	Voltage	Dimming	Fixture Finish	Acoustic Fabric Finish	Accessories
30K 3000K	90 90+	UNV 120-277V	D 0-10V Dimming (Standard)	WH White (Standard)	NSAC-001	NSAC-023
35K 3500K				BK Black	NSAC-002	NSAC-024
40K 4000K				SL Silver	NSAC-003	NSAC-025
50K 5000K					NSAC-004	NSAC-026
					NSAC-005	NSAC-027
					NSAC-006	NSAC-028
					NSAC-007	NSAC-029
					NSAC-008	NSAC-030
					NSAC-009	NSAC-031
					NSAC-010	NSAC-032
					NSAC-011	NSAC-033
					NSAC-012	NSAC-034
					NSAC-013	NSAC-035
					NSAC-014	NSAC-036
					NSAC-015	NSAC-037
					NSAC-016	NSAC-038
					NSAC-017	NSAC-039
					NSAC-018	NSAC-040
					NSAC-019	NSAC-041
					NSAC-020	NSAC-042
					NSAC-021	NSAC-043
					NSAC-022	NSAC-044

RING DOWN SERIES 80W



Product Information

80W

Installation:	Suspended
Material:	Aluminum
Finish:	White
System power (W):	80
Fixture lumen output (lm):	6800
System efficiency (lm/W):	85

Packaging

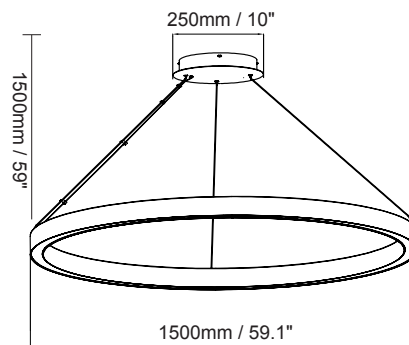
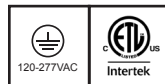
Net weight lamp (kg/lb):	7.0 / 15.43
Gross weight carton (kg/lb):	11.1 / 24.47
Master carton dimensions (mm/in):	1290x1290x160 / 50.79x50.79x 6.30
Quantity per carton:	1

Code composition

Series	Model	Size	Mounting	Wattage-Lumens
DR Decorative	RD Ring Down	47 47" (1200mm)	SP Suspended (standard)	80W-68L 80W-6800lm
			CM Surface	

CCT	CRI	Voltage	Dimming	Fixture Finish	Acoustic Fabric Finish	Accessories
30K 3000K	90 90+	UNV 120-277V	D 0-10V Dimming (Standard)	WH White (Standard)	NSAC-001	NSAC-023
35K 3500K				BK Black	NSAC-002	NSAC-024
40K 4000K				SL Silver	NSAC-003	NSAC-025
50K 5000K					NSAC-004	NSAC-026
					NSAC-005	NSAC-027
					NSAC-006	NSAC-028
					NSAC-007	NSAC-029
					NSAC-008	NSAC-030
					NSAC-009	NSAC-031
					NSAC-010	NSAC-032
					NSAC-011	NSAC-033
					NSAC-012	NSAC-034
					NSAC-013	NSAC-035
					NSAC-014	NSAC-036
					NSAC-015	NSAC-037
					NSAC-016	NSAC-038
					NSAC-017	NSAC-039
					NSAC-018	NSAC-040
					NSAC-019	NSAC-041
					NSAC-020	NSAC-042
					NSAC-021	NSAC-043
					NSAC-022	NSAC-044

RING DOWN SERIES 100W



Product Information

100W

Installation:	Suspended
Material:	Aluminum
Finish:	White
System power (W):	100
Fixture lumen output (lm):	8500
System efficiency (lm/W):	85

Packaging

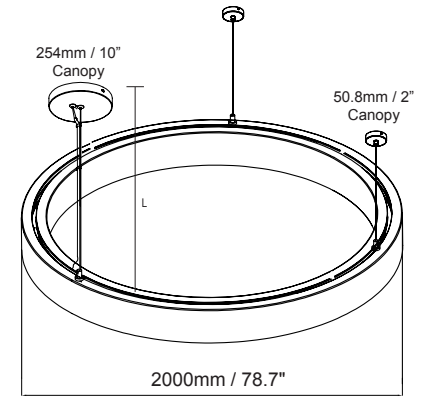
Net weight lamp (kg/lb):	8.3 / 18.30
Gross weight carton (kg/lb):	12.2 / 26.90
Master carton dimensions (mm/in):	1590x1590x160 / 62.60x62.60x6.30
Quantity per carton:	1

Code composition

Series	Model	Size	Mounting	Wattage-Lumens
DR Decorative	RD Ring Down	59 59" (1500mm)	SP Suspended (standard) CM Surface	100W-85L 100W-8500lm

CCT	CRI	Voltage	Dimming	Fixture Finish	Acoustic Fabric Finish	Accessories
30K 3000K	90 90+	UNV 120-277V	D 0-10V Dimming (Standard)	WH White (Standard)	NSAC-001	NSAC-023
35K 3500K				BK Black	NSAC-002	NSAC-024
40K 4000K				SL Silver	NSAC-003	NSAC-025
50K 5000K					NSAC-004	NSAC-026
					NSAC-005	NSAC-027
					NSAC-006	NSAC-028
					NSAC-007	NSAC-029
					NSAC-008	NSAC-030
					NSAC-009	NSAC-031
					NSAC-010	NSAC-032
					NSAC-011	NSAC-033
					NSAC-012	NSAC-034
					NSAC-013	NSAC-035
					NSAC-014	NSAC-036
					NSAC-015	NSAC-037
					NSAC-016	NSAC-038
					NSAC-017	NSAC-039
					NSAC-018	NSAC-040
					NSAC-019	NSAC-041
					NSAC-020	NSAC-042
					NSAC-021	NSAC-043
					NSAC-022	NSAC-044

RING DOWN SERIES 120W



Product Information

120W

Installation:	Suspended
Material:	Aluminum
Finish:	White
System power (W):	120
Fixture lumen output (lm):	10200
System efficiency (lm/W):	85

Packaging

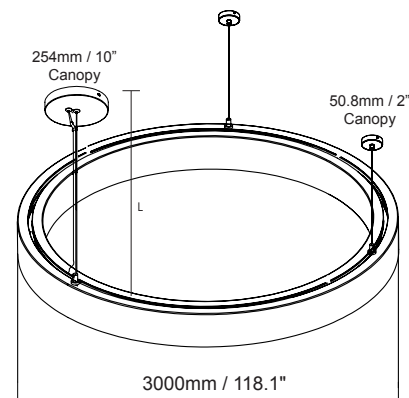
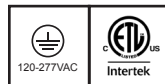
Net weight lamp (kg/lb):	12.0 / 26.46
Gross weight carton (kg/lb):	16.7 / 36.82
Master carton dimensions (mm/in):	1770x1358x140 / 69.69x53.46x5.51
Quantity per carton:	1

Code composition

Series	Model	Size	Mounting	Wattage-Lumens
DR	Decorative RD	Ring Down 79 79" (2000mm)	SP Suspended (standard) CM Surface	120W-102L 120W-10200lm

CCT	CRI	Voltage	Dimming	Fixture Finish
30K 3000K	90 90+	UNV 120-277V	D 0-10V Dimming (Standard)	WH White (Standard)
35K 3500K				BK Black
40K 4000K				SL Silver
50K 5000K				

RING DOWN SERIES 200W



Product Information

200W

Installation:	Suspended
Material:	Aluminum
Finish:	White
System power (W):	200
Fixture lumen output (lm):	17000
System efficiency (lm/W):	85

Packaging

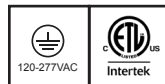
Net weight lamp (kg/lb):	17.3 / 38.14
Gross weight carton (kg/lb):	25.7 / 56.66
Master carton dimensions (mm/in):	1820x1420x140 / 71.65x55.91x5.51
Quantity per carton:	1

Code composition

Series	Model	Size	Mounting	Wattage-Lumens
DR Decorative	RD Ring Down	118 118.1" (3000mm)	SP Suspended (standard) CM Surface	200W-170L 200W-17000lm

CCT	CRI	Voltage	Dimming	Fixture Finish
30K 3000K	90 90+	UNV 120-277V	D 0-10V Dimming (Standard)	WH White (Standard)
35K 3500K				BK Black
40K 4000K				SL Silver
50K 5000K				

RING DOWN SERIES 400W



Product Information

400W

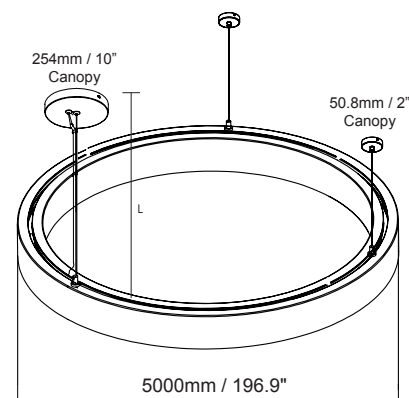
Installation:	Suspended
Material:	Aluminum
Finish:	White
System power (W):	400
Fixture lumen output (lm):	34000
System efficiency (lm/W):	85

Packaging

Net weight lamp (kg/lb):	27.3 / 60.19
Gross weight carton (kg/lb):	36.6 / 80.69
Master carton dimensions (mm/in):	2600x970x140 / 102.36x38.19x5.51
Quantity per carton:	1

Code composition

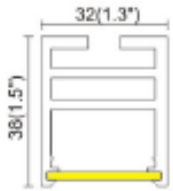
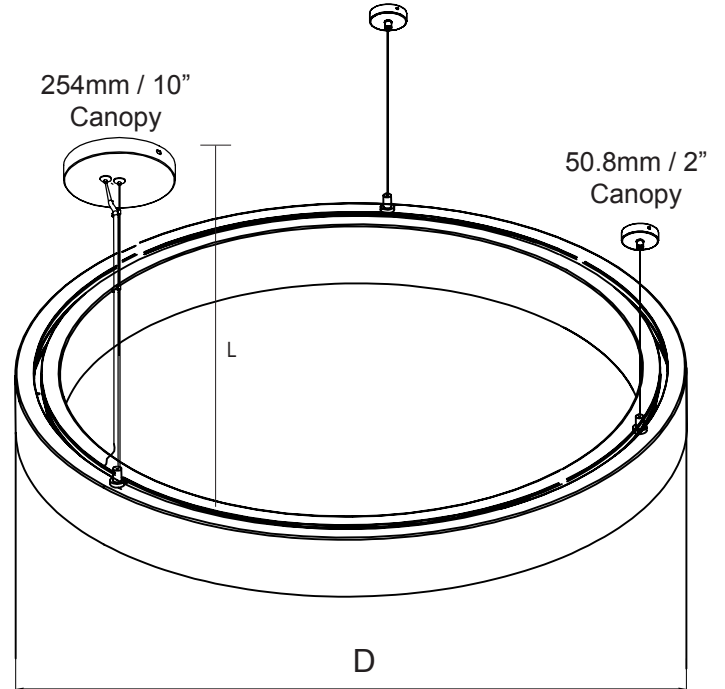
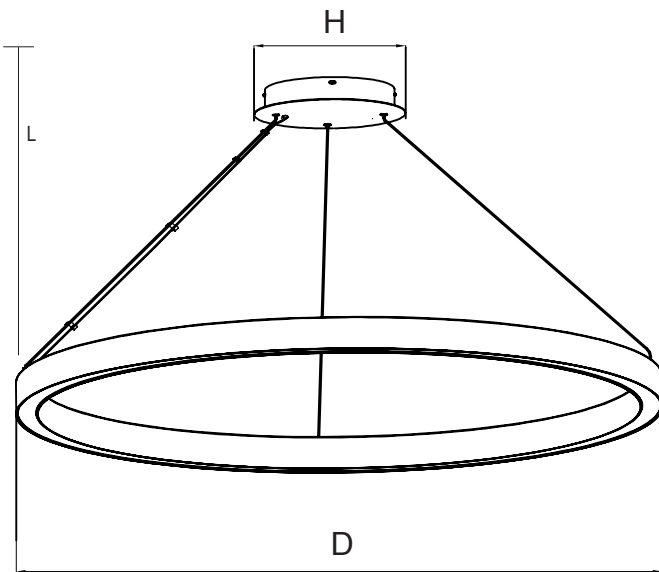
Series	Model	Size	Mounting	Wattage-Lumens
DR Decorative	RD Ring Down	197 196.9" (5000mm)	SP Suspended (standard) CM Surface	400W-340L 400W-34000lm



CCT	CRI	Voltage	Dimming	Fixture Finish
30K 3000K	90 90+	UNV 120-277V	D 0-10V Dimming (Standard)	WH White (Standard)
35K 3500K				BK Black
40K 4000K				SL Silver
50K 5000K				

RING DOWN SERIES

DIMENSIONS



Model No	Dimension				
	Size(mm) D*W*H	Size(inch) D*W*H	D	H (Canopy)	L
40W	D600*32*38	D23.6"*1.3*1.5	23.6" / 600mm	10" / 250mm	59" / 1500mm
50W	D900*32*38	D35.4"*1.3*1.5	35.4" / 900mm		
80W	D1200*32*38	D47.2"*1.3*1.5	47.2" / 1200mm		
100W	D1500*32*38	D59.1"*1.3*1.5	59.1" / 1500mm		
120W	D2000*32*38	D78.7"*1.3*1.5	78.7" / 2000mm		
200W	D3000*32*38	D118.1"*1.3*1.5	118.1" / 3000mm		
400W	D5000*32*38	D196.9"*1.3*1.5	196.9" / 5000mm		