

RANGER SERIES



Description

The **Ranger RGR** features a unique modular designs that allows ease of installation and replacement. It also increases the fixture's flexibility in light direction. Multiple mounting options and lumen output up to 156,250 lumens make the Ranger an ideal choice for a low cost sports or high mast application.

Features

The uniform PC lens is easy to maintain and replace. RGR also has a Laser Dione Aiming Device (LAD) for highmast aiming purposes. It is IP66 rated. RGR rotation can be up to 270 degrees and a single unit rotates at +/-30degrees It operates at -40 to 50 degrees Celsius. (-40 to 122 degrees Fahrenheit)

Electrical Specifications

LED Type: Lumileds/Samsung
 Available Wattages: 250W, 500W, 750W, 1000W, 1250W
 Lumen Maintenance @L70: 50,000 hours
 THD <15%
 Power Factor: >0.93
 Standard Surge Protection Device: 10KV, 20KV (available)
 Available Voltages: 100-277VAC and 200-480VAC
 The standard length of the cord is 1.5m/5ft.
 1-10V Dimming standard.

EPA

EPA (Top): 250W:1.08 ft²; 500W:2.5 ft²; 750W:3.86 ft²;
 1000W:5.2 ft²; 1250W:6.5 ft²
 EPA (Side): 250W:0.3 ft²; 500W:0.66 ft²; 750W:1.01 ft²;
 1000W:1.37 ft²; 1250W:1.7 ft²;

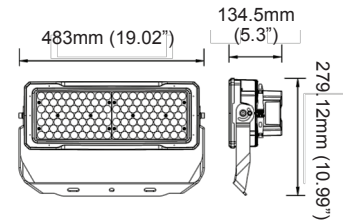
Certifications and Warranty

DLC, cULus, & CE with 6 year warranty

RANGER 250W



Weight: 8.00kg / 17.6lb



Product Information

250W

Installation:	Trunnion (Standard) and Slip Fitter
Material:	Die-cast Aluminum
Finish:	Powder coat
System power (W):	250W
Fixture lumen output (lm):	31250
System efficiency (lm/W):	125
LED driver:	Meanwell
LED engine:	Lumileds/Samsung

Packaging

Net weight lamp (kg/lb):	6.30 / 13.89
Gross weight carton (kg/lb):	7.30 / 16.10
Master carton dimensions (mm/in):	530x345x190 / 20.9x13.6x7.48
Quantity per carton:	1

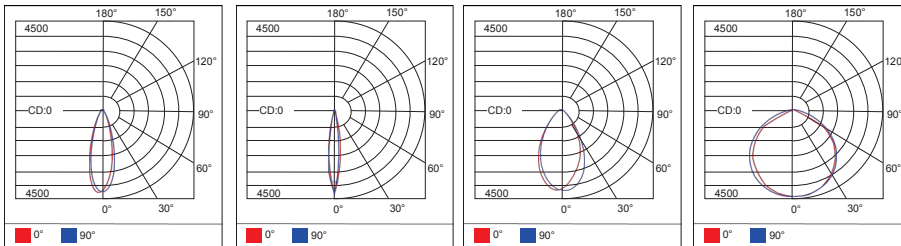
Code composition

Series	Model	Mounting	Wattage-Lumens	Optics					
FL	Flood Light	RGR	Ranger	TRN	Trunnion (Standard)	250W-312.5L	250W-31250lm	30	30D (Standard)
				SF	Slip Fitter (250W & 500W only)			10	10D
								60	60D
								120	120D

CCT	CRI	Voltage	Dimming	Finish	Accessories						
30K	3000K	70	70+	UNV	100-277V	D	1-10V(Standard)	BK	Black (Standard)	NA	No Accessories
40K	4000K			HV	240-480V			WH	White	VS	Visor (1pc/module)
50K	5000K									LAD	Laser Aiming Diode
57K	5700K									SPD20	20KV Surge Protection Device
65K	6500K										

Standard

250W-30D-5000K-CRI80 250W-10D-5000K-CRI80 250W-60D-5000K-CRI80 250W-120D-5000K-CRI80

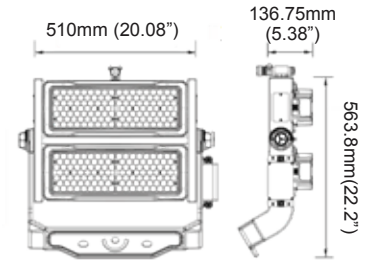


RANGER 500W



Product Information	500W
Installation:	Trunnion (Standard) and Slip Fitter
Material:	Die-cast Aluminum
Finish:	Powder coat
System power (W):	500W
Fixture lumen output (lm):	62500
System efficiency (lm/W):	125
LED driver:	Meanwell
LED engine:	Lumileds/Samsung

Packaging	
Net weight lamp (kg/lb):	19.00 / 41.89
Gross weight carton (kg/lb):	20.60 / 45.41
Master carton dimensions (mm/in):	622x617x211 / 24.5x24.29x8.31
Quantity per carton:	1



Weight: 20.5kg / 45.2lb

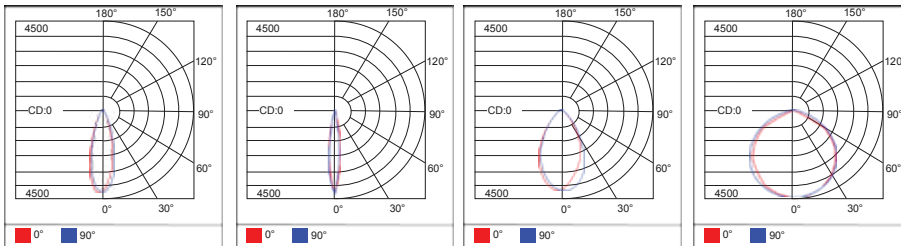
Code composition

Series	Model	Mounting	Wattage-Lumens	Optics					
FL	Flood Light	RGR	Ranger	TRN	Trunnion (Standard)	500W-625L	500W-62500lm	30	30D (Standard)
				SF	Slip Fitter (250W & 500W only)			10	10D
								60	60D
								120	120D

CCT	CRI	Voltage	Dimming	Finish	Accessories						
30K	3000K	70	70+	UNV	100-277V	D	1-10V(Standard)	BK	Black (Standard)	NA	No Accessories
40K	4000K			HV	240-480V			WH	White	VS	Visor (1pc/module)
50K	5000K									LAD	Laser Aiming Diode
57K	5700K									SPD20	20KV Surge Protection Device
65K	6500K										

Standard

500W-30D-5000K-CRI80 500W-10D-5000K-CRI80 500W-60D-5000K-CRI80 500W-120D-5000K-CRI80



RANGER 750W



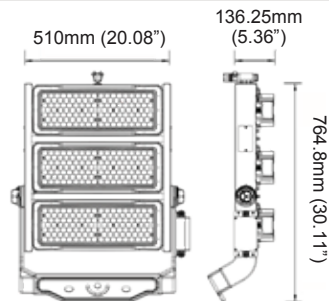
Product Information

750W

Installation:	Trunnion (Standard) and Slip Fitter
Material:	Die-cast Aluminum
Finish:	Powder coat
System power (W):	750W
Fixture lumen output (lm):	93750
System efficiency (lm/W):	125
LED driver:	Meanwell
LED engine:	Lumileds/Samsung

Packaging

Net weight lamp (kg/lb):	26.00 / 57.32
Gross weight carton (kg/lb):	28.00 / 61.73
Master carton dimensions (mm/in):	822x617x211 / 32.4x24.29x8.31
Quantity per carton:	1



Weight: 26.5kg / 58.4lb

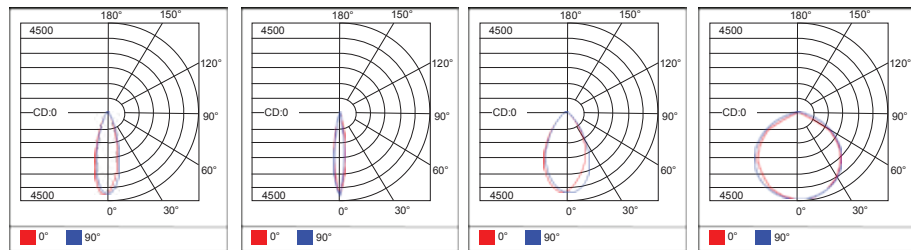
Code composition

Series	Model	Mounting	Wattage-Lumens	Optics					
FL	Flood Light	RGR	Ranger	TRN	Trunnion (Standard)	750W-937.5L	750W-93750lm	30	30D (Standard)
				SF	Slip Fitter (250W & 500W only)			10	10D
								60	60D
								120	120D

CCT	CRI	Voltage	Dimming	Finish	Accessories						
30K	3000K	70	70+	UNV	100-277V	D	1-10V(Standard)	BK	Black (Standard)	NA	No Accessories
40K	4000K			HV	240-480V			WH	White	VS	Visor (1pc/module)
50K	5000K									LAD	Laser Aiming Diode
57K	5700K									SPD20	20KV Surge Protection Device
65K	6500K										

Standard

750W-30D-5000K-CRI80 750W-10D-5000K-CRI80 750W-60D-5000K-CRI80 750W-120D-5000K-CRI80



RANGER 1000W



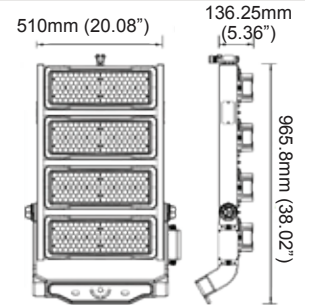
Product Information

1000W

Installation:	Trunnion (Standard) and Slip Fitter
Material:	Die-cast Aluminum
Finish:	Powder coat
System power (W):	1000
Fixture lumen output (lm):	125000
System efficiency (lm/W):	125
LED driver:	Meanwell
LED engine:	Lumileds/Samsung

Packaging

Net weight lamp (kg/lb):	33.00 / 72.75
Gross weight carton (kg/lb):	35.00 / 77.16
Master carton dimensions (mm/in):	1022x617x211 / 40.2x24.29x8.31
Quantity per carton:	1



Weight: 30.8kg /67.9lb

Code composition

Series	Model	Mounting	Wattage-Lumens	Optics					
FL	Flood Light	RGR	Ranger	TRN	Trunnion (Standard)	1000W-1250L	1000W-125000lm	30	30D (Standard)
				SF	Slip Fitter (250W & 500W only)			10	10D
								60	60D
								120	120D

CCT	CRI	Voltage	Dimming	Finish	Accessories						
30K	3000K	70	70+	UNV	100-277V	D	1-10V(Standard)	BK	Black (Standard)	NA	No Accessories
40K	4000K			HV	240-480V			WH	White	VS	Visor (1pc/module)
50K	5000K									LAD	Laser Aiming Diode
57K	5700K									SPD20	20KV Surge Protection Device
65K	6500K										

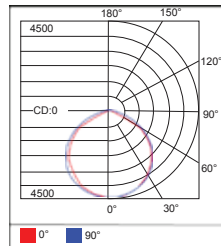
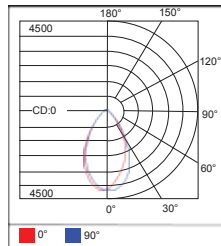
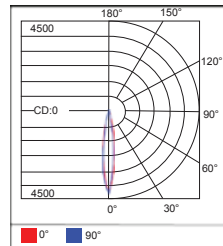
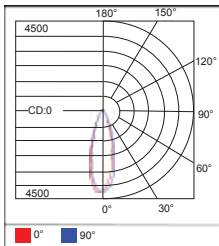
Standard

1000W-30D-5000K-CRI80

1000W-10D-5000K-CRI80

1000W-60D-5000K-CRI80

1000W-120D-5000K-CRI80

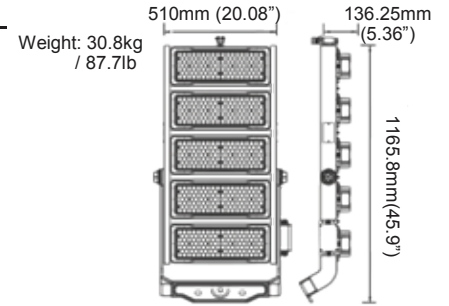


RANGER 1250W



Product Information		1250W
Installation:	Trunnion (Standard) and Slip Fitter	
Material:	Die-cast Aluminum	
Finish:	Powder coat	
System power (W):	1250W	
Fixture lumen output (lm):	156250	
System efficiency (lm/W):	125	
LED driver:	Meanwell	
LED engine:	Lumileds/Samsung	

Packaging		
Net weight lamp (kg/lb):	41.00 / 90.39	
Gross weight carton (kg/lb):	43.50 / 95.90	
Master carton dimensions (mm/in):	1207x617x211 / 47.5x24.29x8.31	
Quantity per carton:	1	



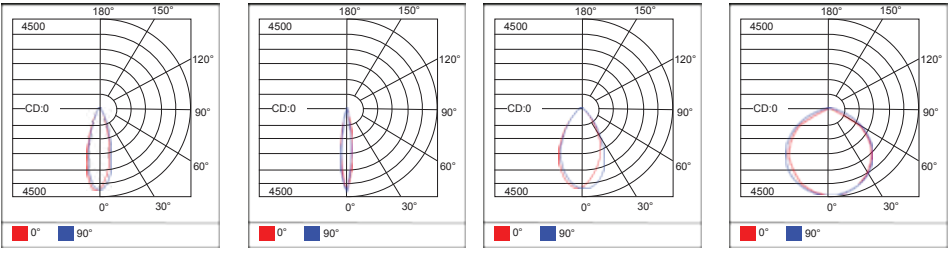
Code composition

Series	Model	Mounting	Wattage-Lumens	Optics	
FL	Flood Light	RGR Ranger	TRN Trunnion (Standard) SF Slip Fitter (250W & 500W only)	1250W-1562.5L 1250W-156250lm	30 30D (Standard) 10 10D 60 60D 120 120D

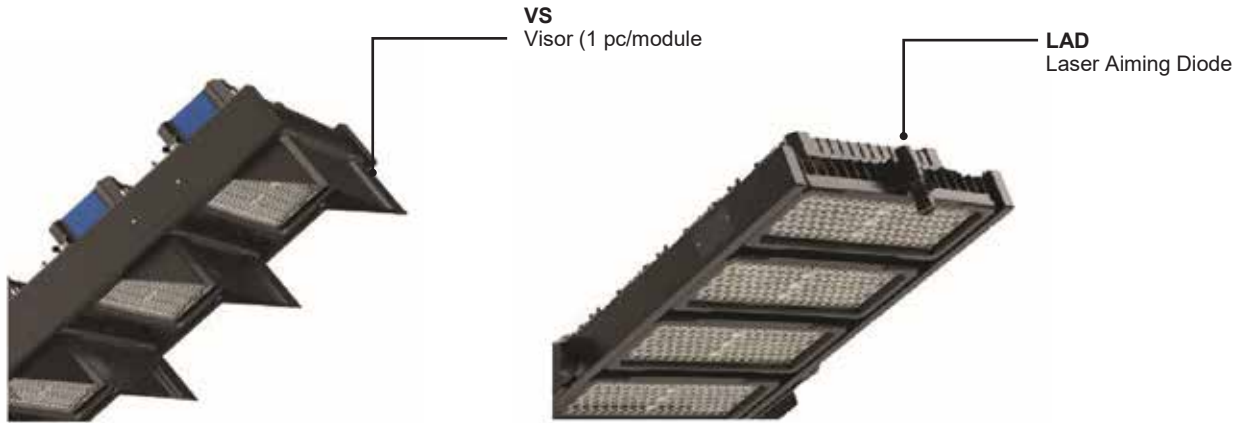
CCT	CRI	Voltage	Dimming	Finish	Accessories
30K 3000K	70 70+	UNV 100-277V	D 1-10V(Standard)	BK Black (Standard)	NA No Accessories
40K 4000K		HV 240-480V		WH White	VS Visor (1pc/module)
50K 5000K					LAD Laser Aiming Diode
57K 5700K					SPD20 20KV Surge Protection Device
65K 6500K					

Standard

1000W-30D-5000K-CRI80 1000W-10D-5000K-CRI80 1000W-60D-5000K-CRI80 1000W-120D-5000K-CRI80

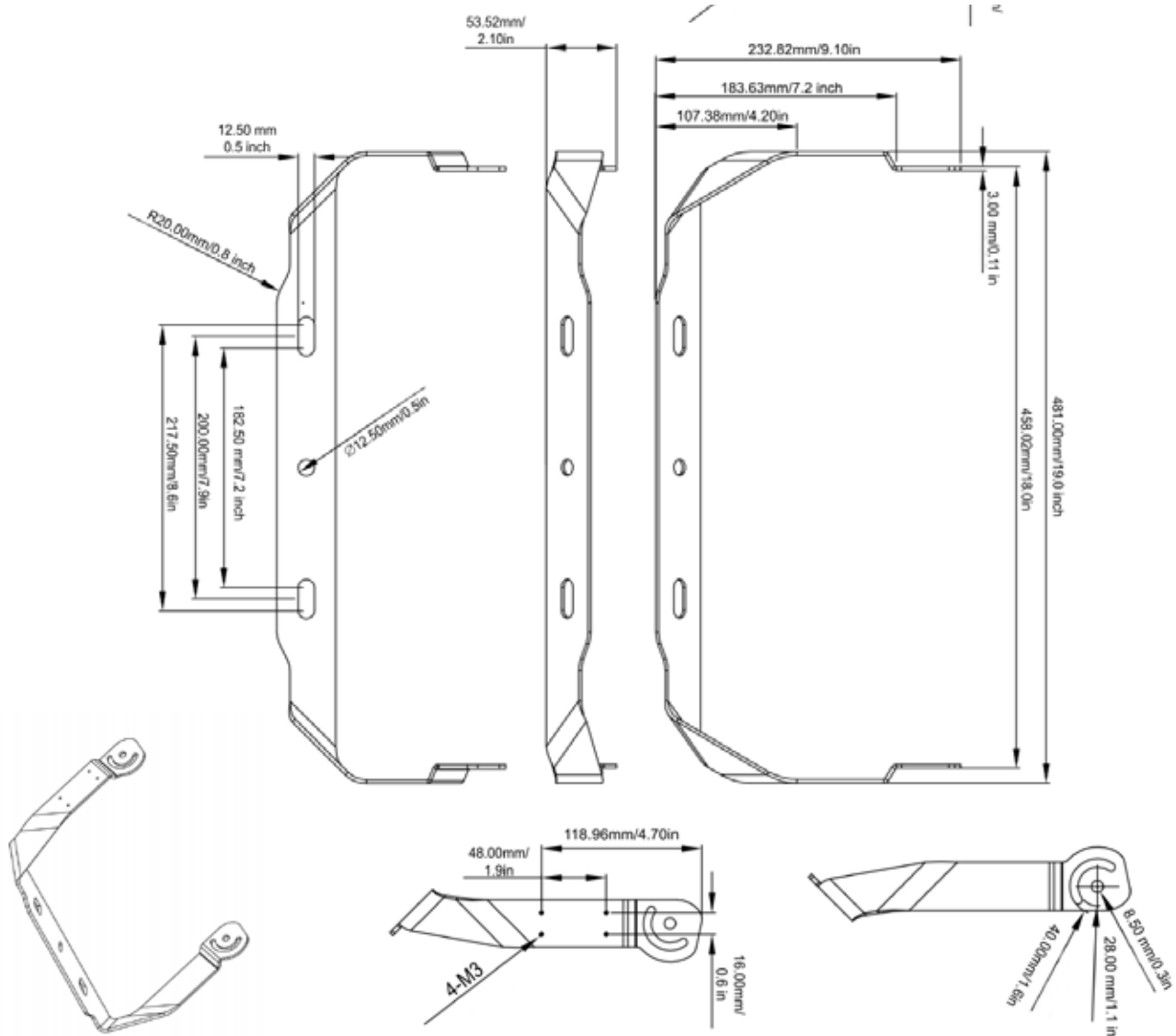


ACCESSORIES



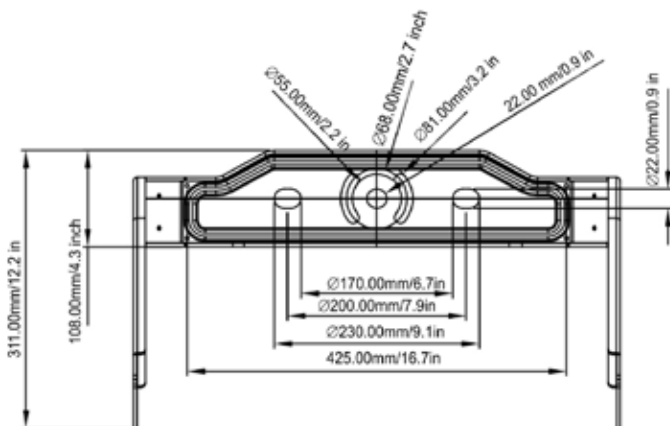
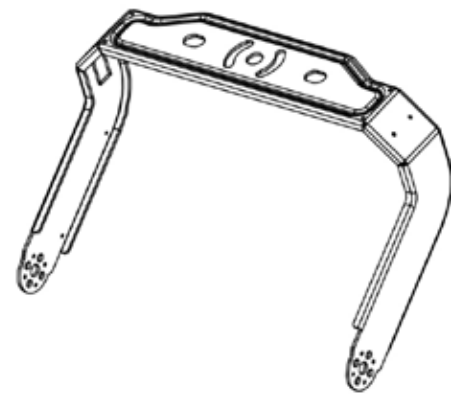
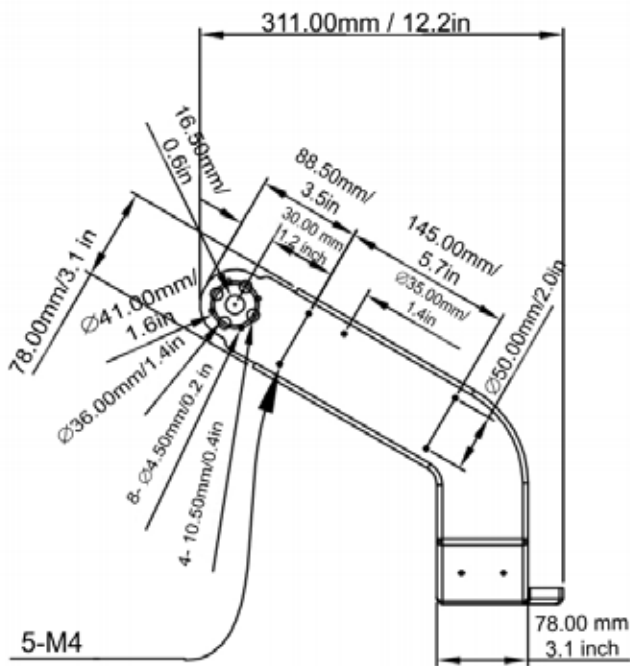
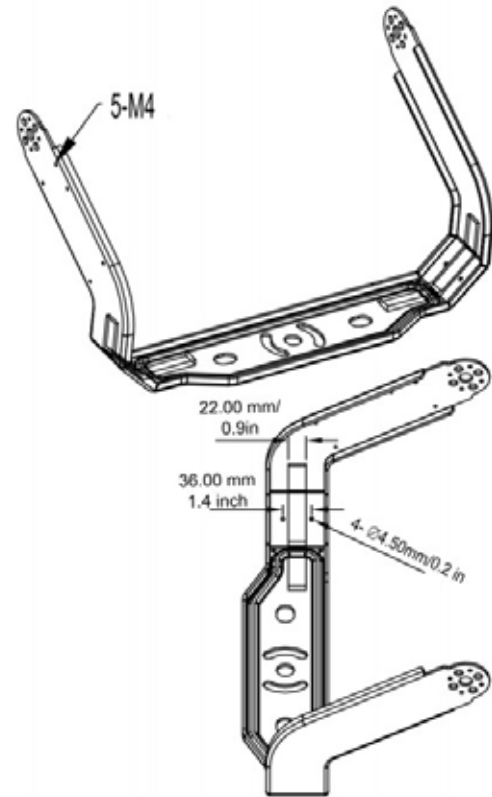
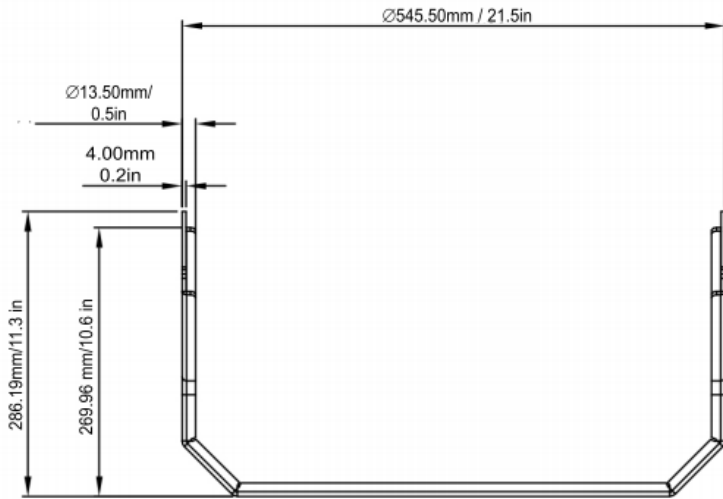
MOUNTING DIMENSIONS

TRUNNION (250W)



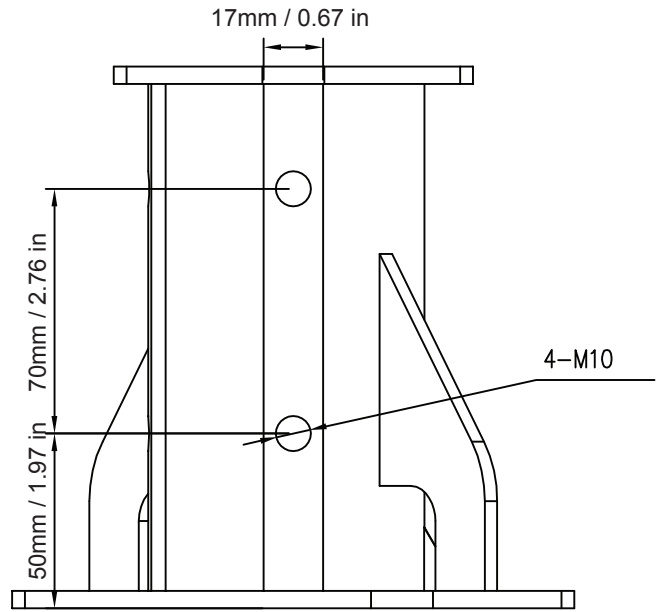
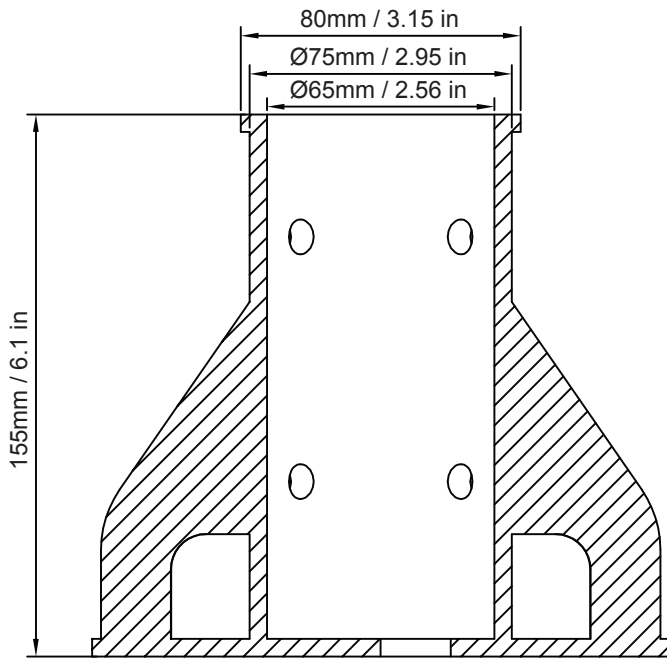
MOUNTING DIMENSIONS

TRUNNION (500W-1000W)

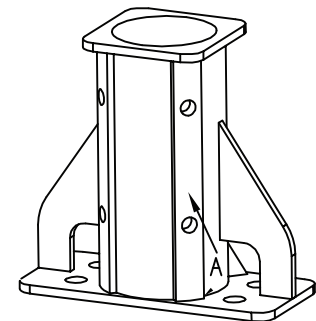
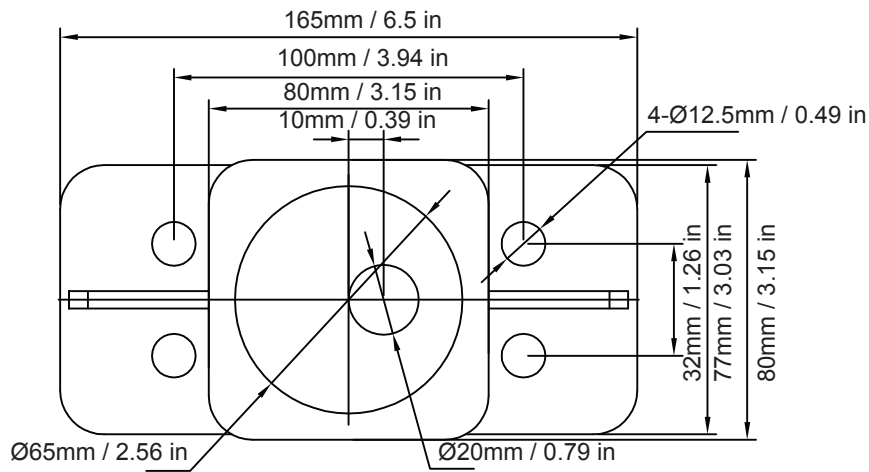


MOUNTING DIMENSIONS

SLIPFITTER

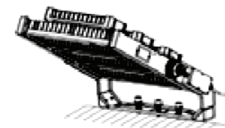
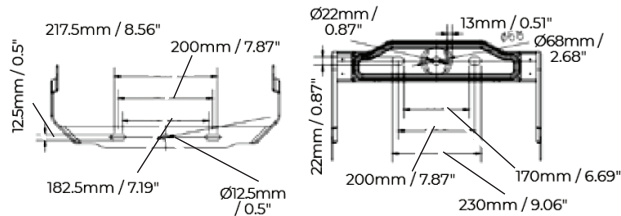
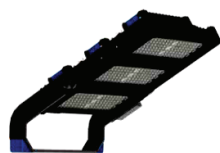


A

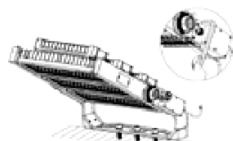


INSTALLATION

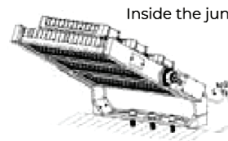
TRUNNION (STANDARD)



Fix the bracket with M20 screws based on the diagrams to the left.

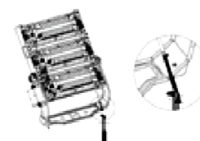


Remove the M16 silicone plug, loosen the screw with an allen key, and rotate to the desired mounting angle. Once set, replace the M16 silicone plug.



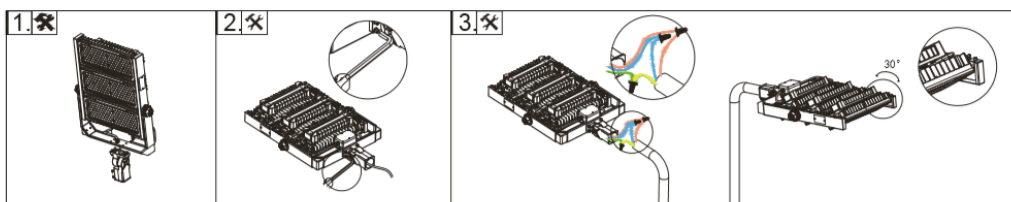
Inside the junction box.

Connect the wiring, distinguishing between positive, negative, and grounding wire.



If dimming is required, connect the dimming cables according to the line mark.

SLIP FITTER FOR 250W & 500W ONLY



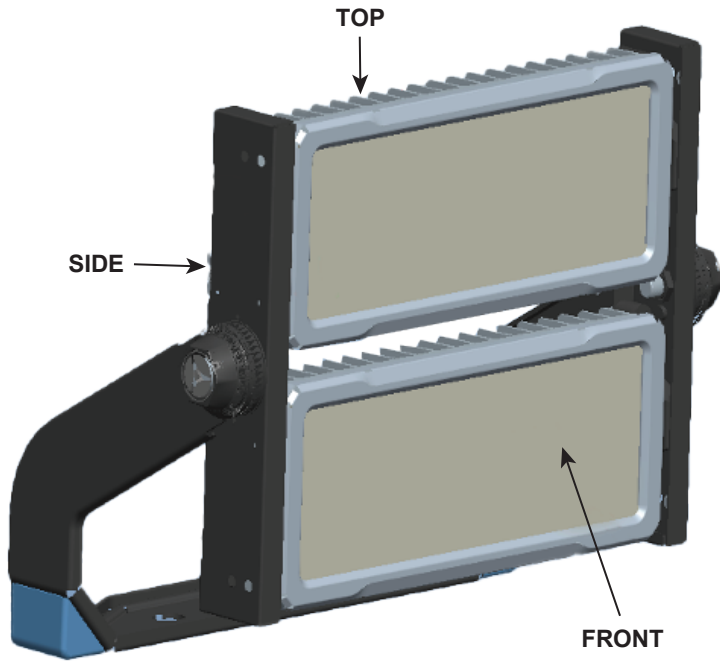
Feed wiring through hole in bracket, through knuckle mount.

Tighten hex nuts with an allen wrench to affix mount to bracket.

Identify polarity and grounding wire, and complete electrical installation. Attach slipfitter to pole. Modules may be rotated to appropriate angle ($\pm 30^\circ$).

EPA

EPA = (Frontal Projected Area) x (Drag Coefficient)



Power(W)	EPA(ft ²)			EPA(m ²)		
	Top	Side	Front	Top	Side	Front
250W	0.84	0.3	1.08	Top	Side	Front
500W	0.88	0.67	2.56	Top	Side	Front
750W	0.88	1.04	3.86	Top	Side	Front
1000W	0.88	1.39	5.2	Top	Side	Front
1250W	0.88	2.02	7.55	Top	Side	Front