

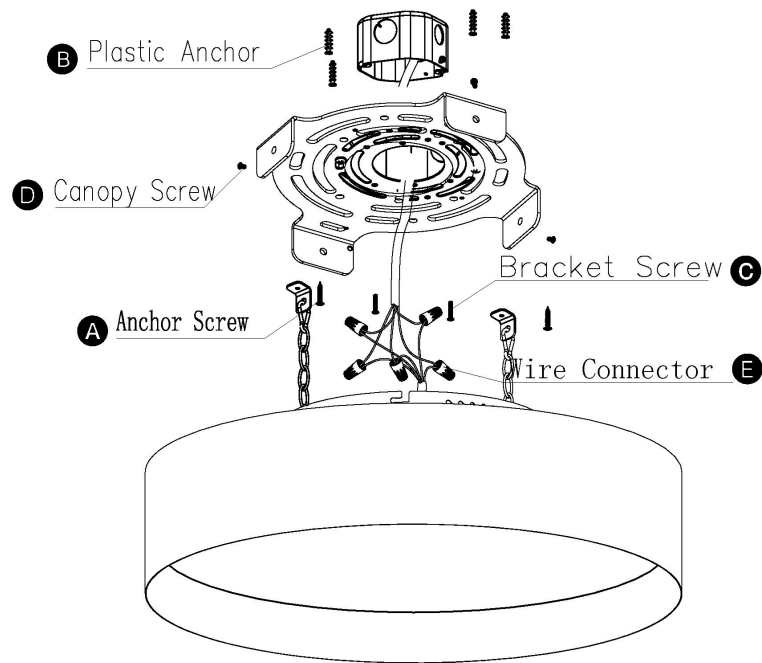
RAINBOW SERIES (SURFACE MOUNTED)

INSTALLATION INSTRUCTIONS



Please read this installation manual carefully before installation. Keep it for future reference! Products are well packed and tested before leaving our factory. Please strictly follow the instructions listed in the manual. Factory cannot be held responsible for any mis-operation or damage caused by not following the installation manual!

Installation Diagram

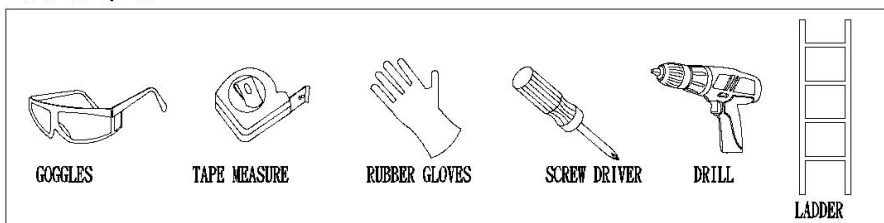


Step 1

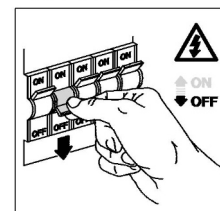
Shut "OFF" the electricity at electrical panel.

Place the wall switch in the "OFF" position of the room you are installing the fixture.

Tools You May Need

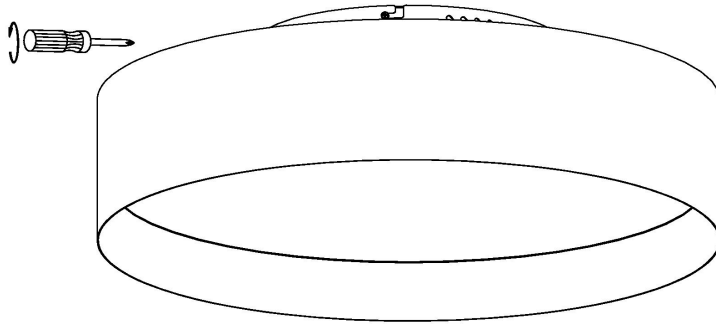


Circuit Box



Step2

Use Screw driver to relieve Canopy screw a little.(Do NOT REMOVE). Rotate Mounting Bracket and Remove it from Bottom Bracket as shown below.



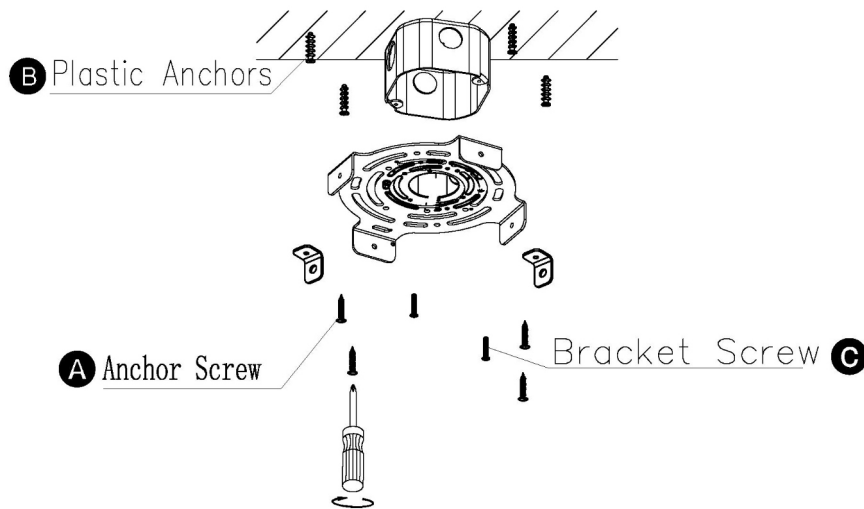
Step3



Remove plastic pin, or 4 pcs or 6 pcs diameter 6mm holes on the ceiling according to Mounting Bracket. (note: If the fixture dia is larger than 2", 6 holes are required, 4 for Bracket screw, 2 for safety Bracket screw). Please note: safety cable suspension is only applicable for diameters of 3ft and above. For diameters of 2ft and below, no safety cable suspension is required.

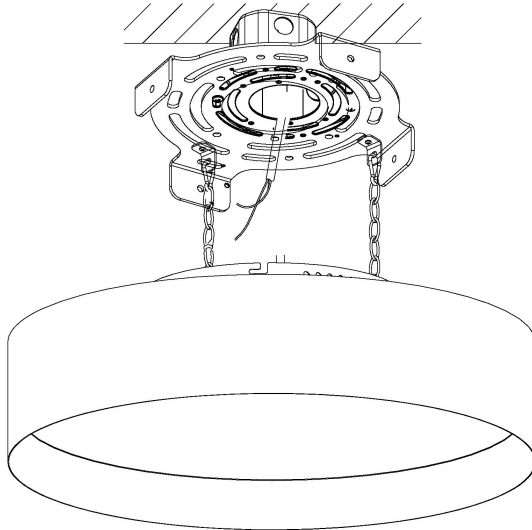
Insert the expansion bolts into the holes. (Use 2 pcs M4*25mm Screws to attach Mounting Bracket to the J-Box. Refer to picture shown below.

NOTE:J-BOX Garvin 54171-S or equivalent / Provided by others



Step4

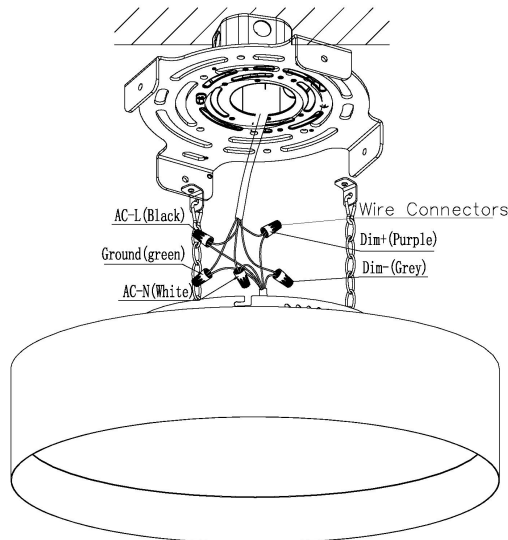
Use 4pcs or 6 pcs (2 for Safe Bracket) M4*25 Self-Tapping screw to attach Mounting Bracket on the ceiling. And Connect the safety cable between Mounting Bracket and Canopy.



Attention: Must secure mounting plate at all connection points (junction box plus four outer points for small and medium sizes, or six outer points for larger size) to support fixture weight appropriately. Not using all mounting points could damage the fixture and void product warranty.

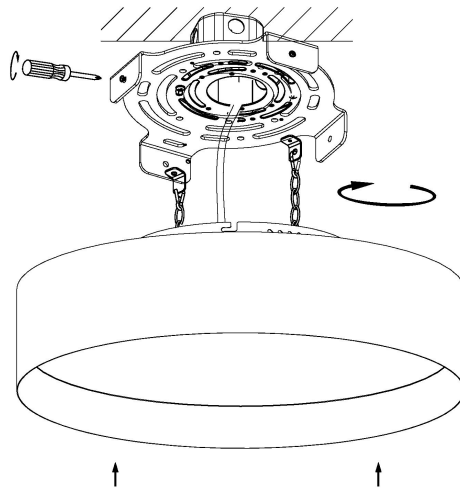
Step 5

Use wire connectors to connect L,N,G,DIM+,DIM- wires. Then place all wires with connectors into J-Box



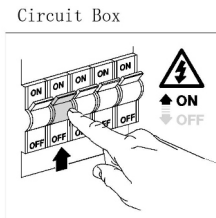
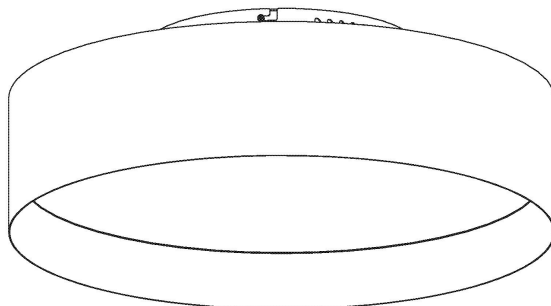
Step 6

Keep the Slot hole in a vertical line with Side screw. Then, screw into slot. Next, rotate lamp body To complete installation.



Step 7

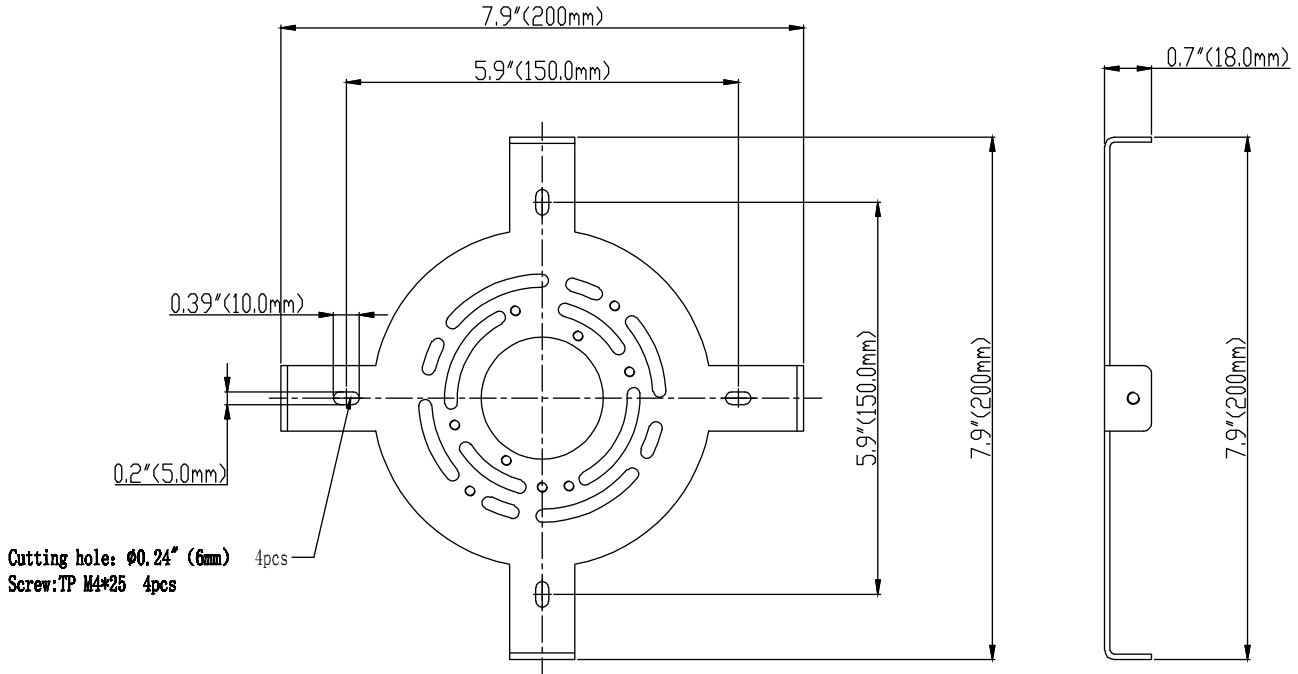
After installation is complete, turn on the electricity at the electrical panel.



Warnings

- MIN 90 °C SUPPLY CONDUCTORS/LES FILS D’ALIMENTATION 90 °C MIN
 - DAMP LOCATIONS ONLY/POUR EMPLACEMENTS SECS SEULEMENT
 - CAUTION – RISK OF FIRE/ATTENTION – RISQUE D’INCENDIE
- THIS PRODUCT MUST BE INSTALLED IN ACCORDANCE WITH THE APPLICABLE INSTALLATION CODE BY A PERSON FAMILIAR WITH THE CONSTRUCTION AND OPERATION OF THE PRODUCT AND THE HAZARDS INVOLVED/CE PRODUIT DOIT ÊTRE INSTALLÉ SELON LE CODE D’INSTALLATION PERTINENT, PAR UNE PERSONNE QUI CONNAÎT BIEN LE PRODUIT ET SON FONCTIONNEMENT AINSI QUE LES RISQUES INHÉRENTS
- Application temperature for ring light is -20° ~40° , humidity is 0~95 % . Otherwise there may be harm to the lifespan of the ring light.
 - Please TURN OFF POWER before installation. This lamp must be installed and maintained by electrician or qualified personnel.
 - Pay attention to fire prevention, electricity and shock resistance.
 - Please do not cover the combustibles on the fixture.
 - All screws and terminals should be tightened and tightly inserted. No loosening and improper connection are allowed. Attention should be paid to the polarity of components, power supply, driver and so on.
 - Terminals should be tightened and tightly inserted. No loosening and improper

RAINBOW 16"
BRACKET DIMENSIONS
11.8" (300mm) / 15.7" (400mm)



RAINBOW 24"
BRACKET DIMENSIONS
18.9" (450mm) / 23.6" (600mm)

