

## INSTALLATION INSTRUCTIONS PRO



### WARNINGS

**RISK OF ELECTRICAL SHOCK, FIRE, BURNS AND OTHER HAZARDS**



- This fixture must be installed, inspected and maintained by a qualified electrician in accordance with all National (NEC) or Canadian (CEC) and local electrical codes.
- Proper grounding is required to ensure personal safety.
- Before installation or maintenance of this product, ensure electricity is powered off at the main electrical panel.
- Before maintenance of this product ensure luminaire is allowed to cool for at least 30 minutes to avoid burns.
- Do not operate in ambient temperatures above those indicated on the luminaire data sheet.
- Aircraft safety cables to be used whenever possible.

### DISCLAIMER

Luxlogic Lighting Inc. assumes no liability for damages or losses of any kind that may arise from the improper installation, handling, storage, and/or maintenance of this product.

**WARNING: ALL ELECTRICAL CONNECTIONS MUST BE DONE BY A QUALIFIED ELECTRICIAN AND MUST BE MADE EXTERNAL TO THE FIXTURE/DRIVER COMPARTMENT. FAILURE TO DO SO VOIDS ALL WARRANTIES AND COULD RESULT IN COMPONENT DAMAGE AND PRE MATURE FIXTURE FAILURE.**

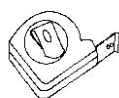
### PRE-INSTALLATION

1. Upon receipt, carefully open carton(s). Contact the vendor promptly to report any visible damages that may have occurred during shipping.
2. Confirm voltage on luminaire is consistent with the input voltage to be connected.
3. Confirm planned installation location is able to withstand at least 10x the weight of the luminaire. (see product specifications)
4. Ensure fixture will be installed in a level position, free from possible vibration and/or sway.

#### TOOLS YOU MAY NEED



GOGGLES



TAPE MEASURE



RUBBER GLOVES



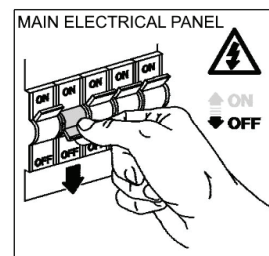
SCREW DRIVER



DRILL

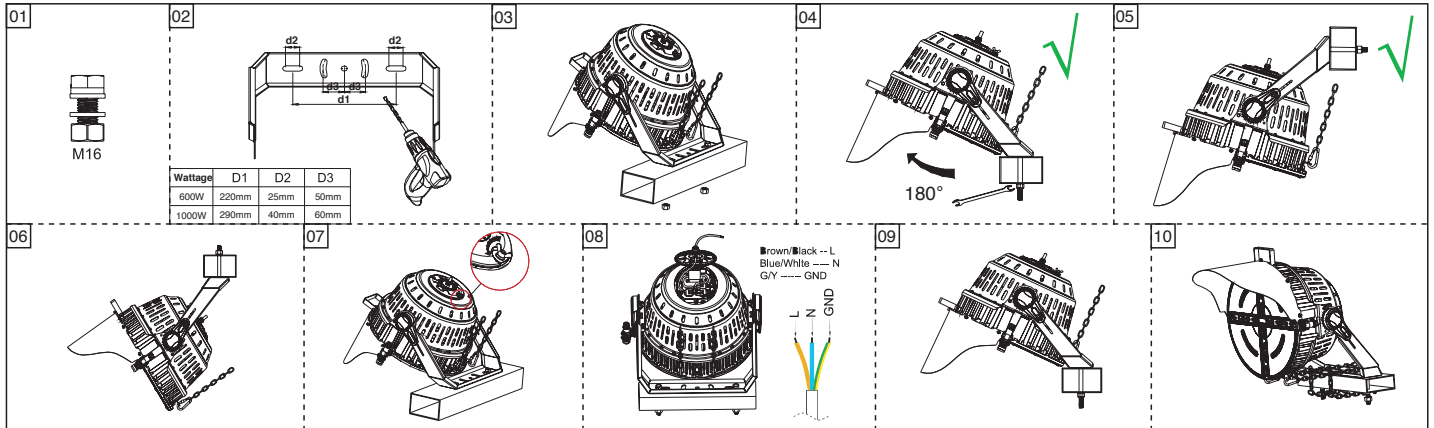


LADDER

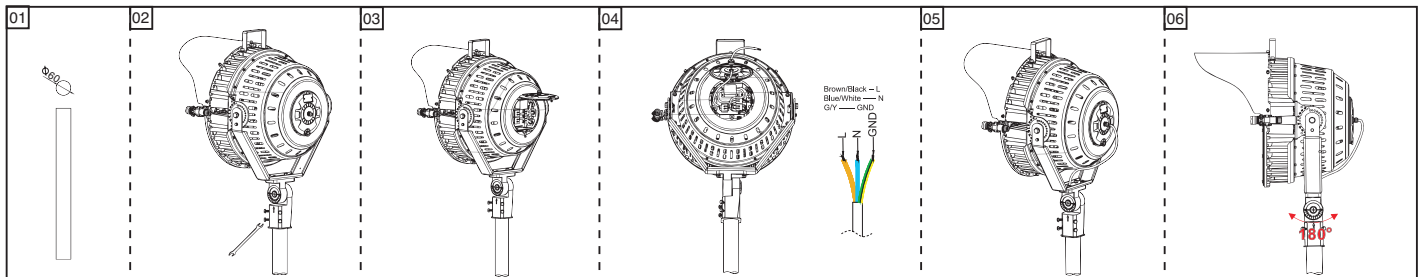


INSTALLATION INSTRUCTIONS

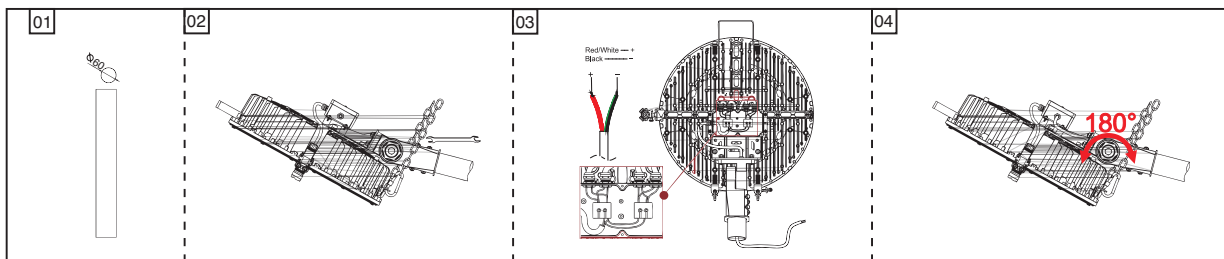
YOKE MOUNT INSTALLATION



SLIP FITTER INSTALLATION



SLIP FITTER SAFETY CHAIN INSTALLATION

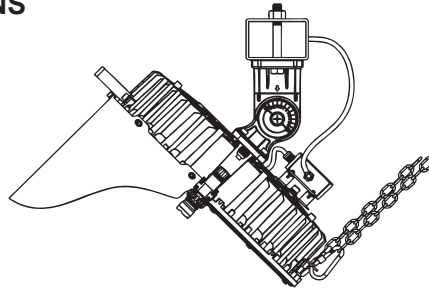


# PRO

## INSTALLATION INSTRUCTIONS

### SAFETY CHAINS

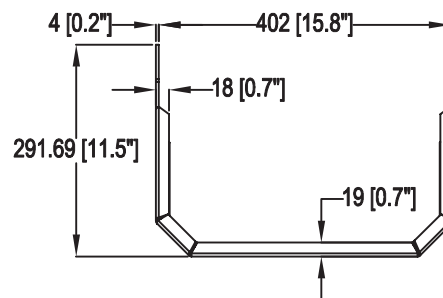
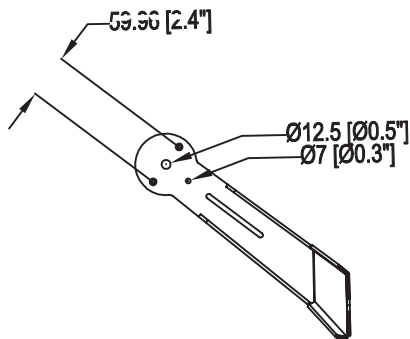
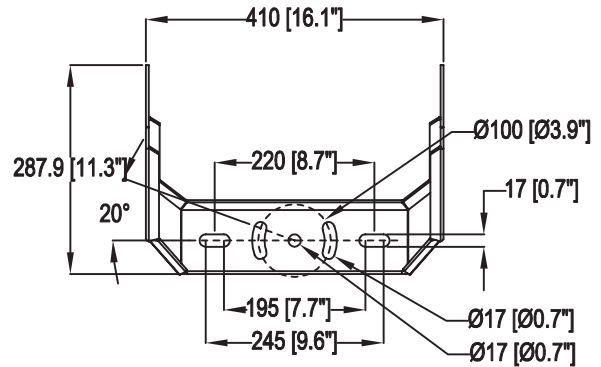
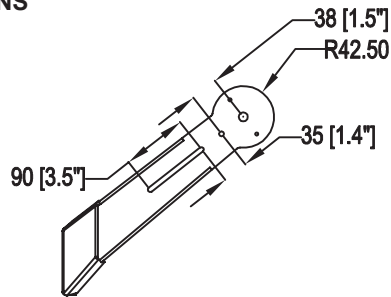
Two 1m (3.28') galvanized safety chains are included with each fixture.



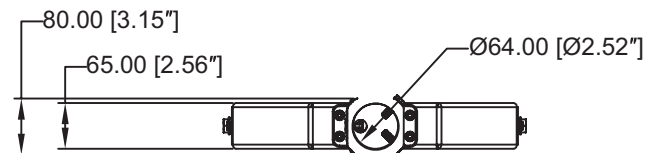
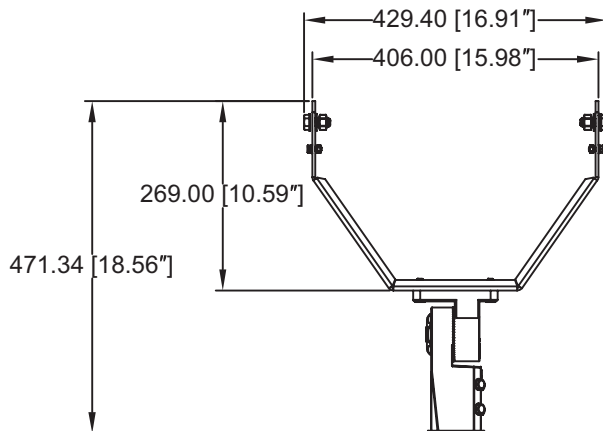
### MOUNTING OPTIONS

300-600W

### YOKE



### SLIP FITTER



PRO

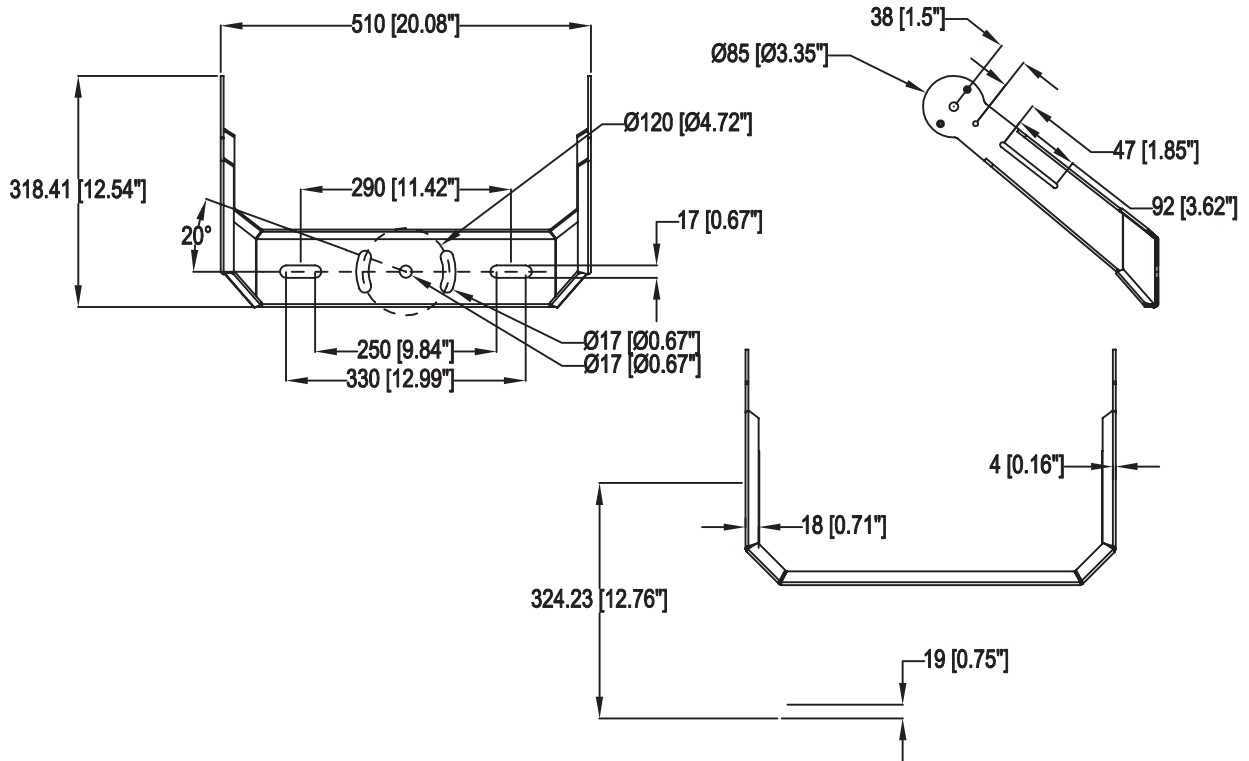


INSTALLATION INSTRUCTIONS

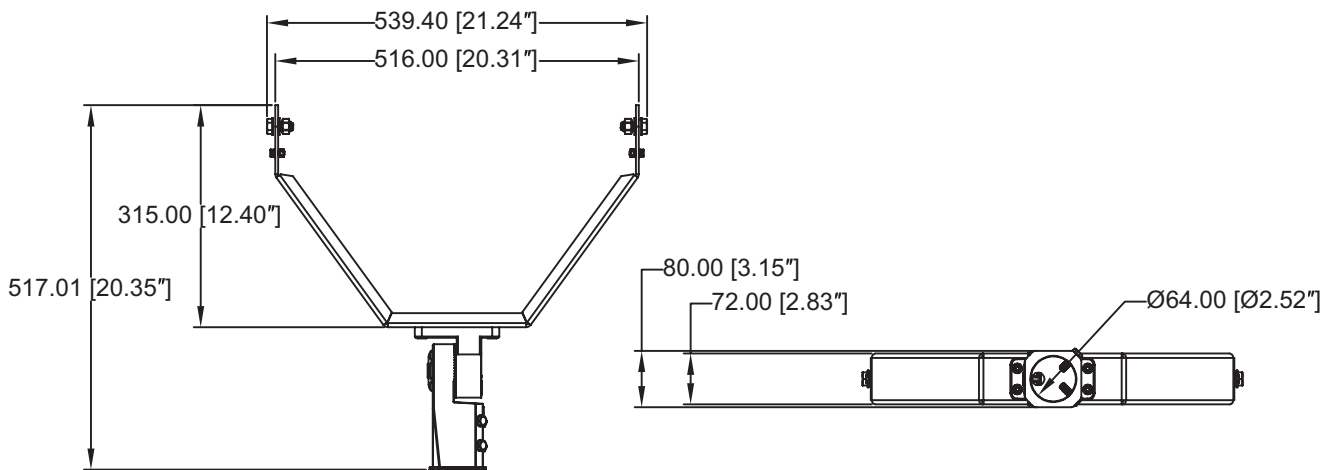
MOUNTING OPTIONS

700-1000W

YOKE



SLIP FITTER



## POST-INSTALLATION

1. Ensure all wires are properly connected before switching on the power at the main electrical panel.
2. Check orientation and tilt to ensure correct area is illuminated and not obstructed by pipes and/or other structures.
3. Confirm all luminaires have been installed as per engineer approved layouts.

