

POOLSIDER RGBW FLOOD LIGHT

FLOODLIGHT FOR POOLS, NATATORIUMS AND BUILDING FACADES



Colour Changing



App Control



2.4G Remote

Description

The **Poolsider RGBW** is a modular LED flood light specifically designed for the caustic environment of Natatoriums, but versatile enough to be used in any flood light application. Multiple optical lens choices, and rotatable modules allow a wide variety of light spread for various use both indoor and out.

Features

Salt spray anti corrosion tested to IEC60068-2-11,ISO4628-3, ASTM B117 standards for Natatorium applications. Anti-corrosive finish is standard. Available in 60W modules, each independently rotatable, featuring an aluminum cooling fin for superior heat dissipation.
IP66 Rated.
IK09 Rating.

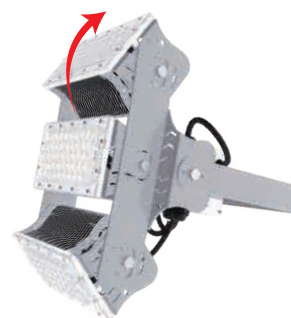
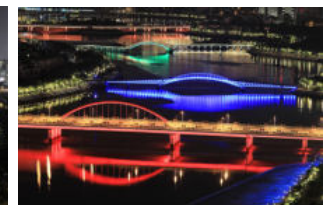
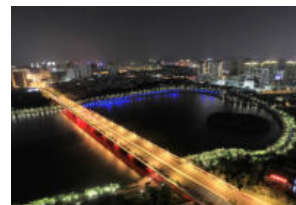
Electrical Specifications

Available Wattages: 50W / 100W / 150W / 200W / 300W / 400W / 600W
CCTS: RGBW
Power Factor: >0.95
Lifetime: L70 > 75000 hrs
Operating Temperature: -40 ~ 60° C / -40 ~ 140°F
Available Voltages: 120-277VAC UNV
No Dimming

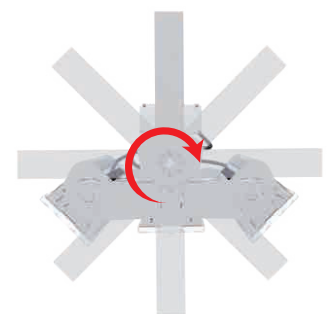
All luminaires are approximately 40 lumens per watt depending upon the colour selected.

Certifications and Warranty

cETL listed, and CE with 6 year warranty



Module rotatable 90°



Arc bracket rotatable 360°

POOLSIDER RGBW FLOOD LIGHT 50W



Product Information

50W

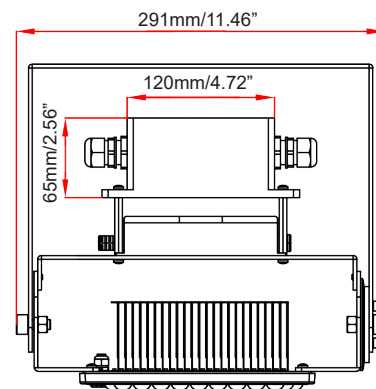
Installation:	Yoke (Standard), Pendant, Cross Arm Bracket
Material:	Aluminum
Finish:	Grey
System power (W):	50W
LED driver:	Meanwell XLG - 1pc (UNV)
LED engine:	RGBW

Packaging

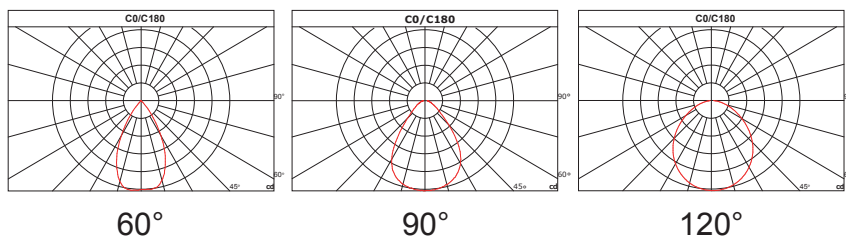
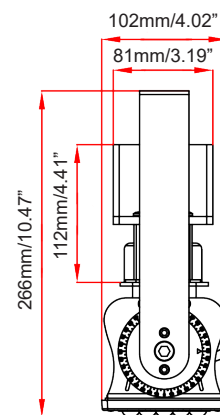
New weight lamp (kg/lb):	3.5 / 7.7
Gross weight carton (kg/lb):	19 / 41.8
Master carton dimensions (mm/in):	710 x 350 x 340 / 27.95 x 13.78 x 13.39
Quantity per carton:	5

Code composition

Series	Model	Mounting	Wattage		Beam Angles	
FL	Flood Light	PSRGBW Poolsider RGBW	YK Yoke Mount (Standard)	50W 50W	60 60D	90 90D
			PM Pendant Mount		120 120D	
			CAB Cross Arm Bracket			



CCT	Voltage	Dimming	Finish	Accessories	
RGBW RGBW	UNV 120-277V	ND No Dimming	GR Grey	NA No Accessories	SC Safety Cable 1m / 39.37"



POOLSIDER RGBW FLOOD LIGHT 100W



Product Information

100W

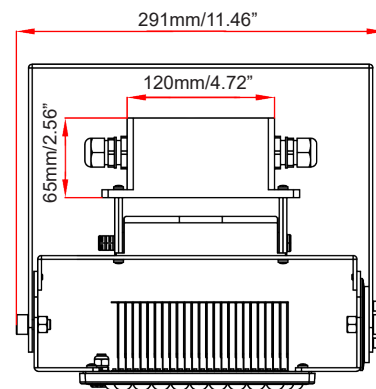
Installation:	Yoke (Standard), Pendant, Cross Arm Bracket
Material:	Aluminum
Finish:	Grey
System power (W):	100W
LED driver:	Meanwell XLG - 1pc (UNV)
LED engine:	RGBW

Packaging

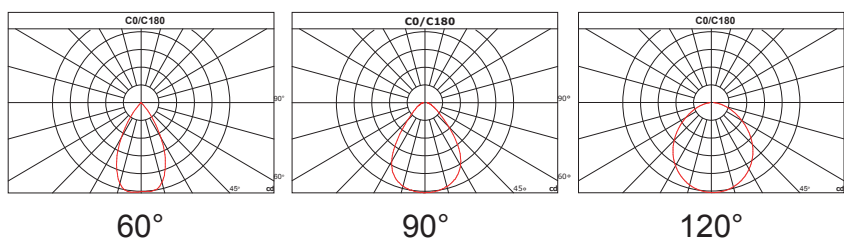
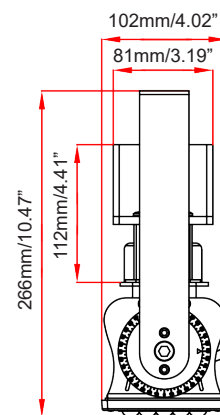
New weight lamp (kg/lb):	4 / 8.8
Gross weight carton (kg/lb):	19.5 / 42.9
Master carton dimensions (mm/in):	710 x 350 x 340 / 27.95 x 13.78 x 13.39
Quantity per carton:	5

Code composition

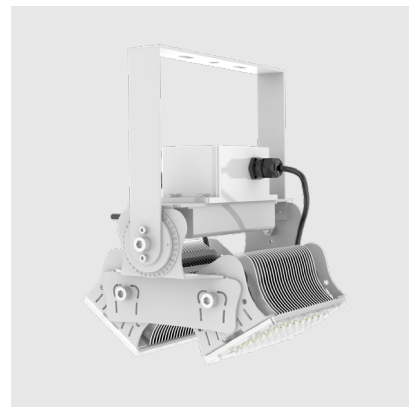
Series	Model	Mounting	Wattage		Beam Angles		
FL	Flood Light	PSRGBW	Poolsider RGBW	YK	Yoke Mount (Standard)	100W 100W	60 60D 90 90D 120 120D
				PM	Pendant Mount		
				CAB	Cross Arm Bracket		



CCT	Voltage	Dimming	Finish	Accessories	
RGBW	RGBW	UNV 120-277V	ND No Dimming	GR Grey	NA No Accessories SC Safety Cable 1m / 39.37"



POOLSIDER RGBW FLOOD LIGHT 150W



Product Information

150W

Installation:	Yoke (Standard), Pendant, Cross Arm Bracket
Material:	Aluminum
Finish:	Grey
System power (W):	150W
LED driver:	Meanwell XLG - 1pc (UNV)
LED engine:	RGBW

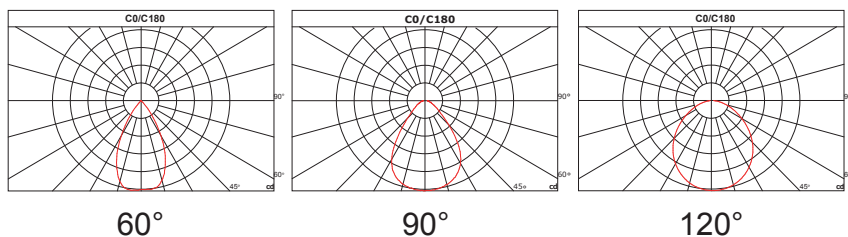
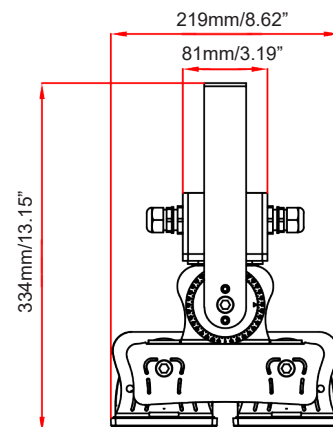
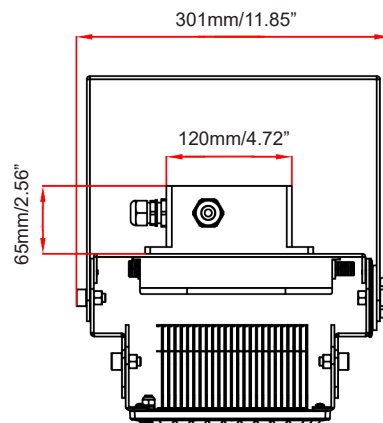
Packaging

New weight lamp (kg/lb):	5.9 / 12.98
Gross weight carton (kg/lb):	21 / 46.2
Master carton dimensions (mm/in):	530 x 340 x 730 / 20.87 x 13.39 x 28.74
Quantity per carton:	4

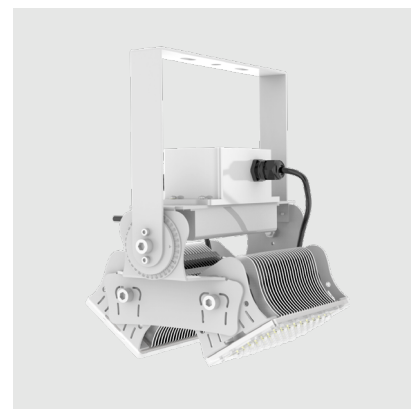
Code composition

Series	Model	Mounting	Wattage		Beam Angles	
FL	Flood Light	PSRGBW Poolsider RGBW	YK Yoke Mount (Standard)	150W	150W	60 60D 90 90D 120 120D
			PM Pendant Mount			
			CAB Cross Arm Bracket			

CCT	Voltage	Dimming	Finish	Accessories	
RGBW RGBW	UNV 120-277V	ND No Dimming	GR Grey	NA No Accessories	
				SC Safety Cable 1m / 39.37"	



POOLSIDER RGBW FLOOD LIGHT 200W



Product Information

200W

Installation:	Yoke (Standard), Pendant, Cross Arm Bracket
Material:	Aluminum
Finish:	Grey
System power (W):	200W
LED driver:	Meanwell XLG - 1pc (UNV)
LED engine:	RGBW

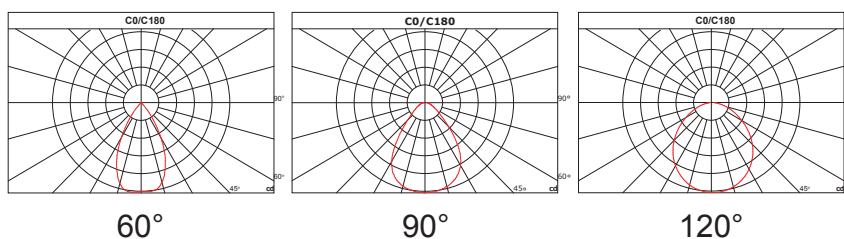
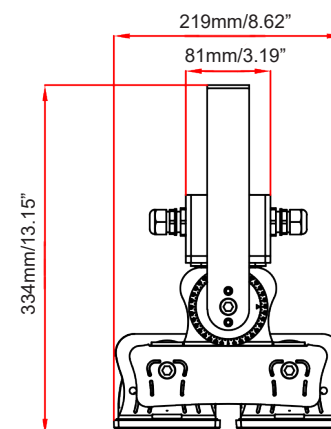
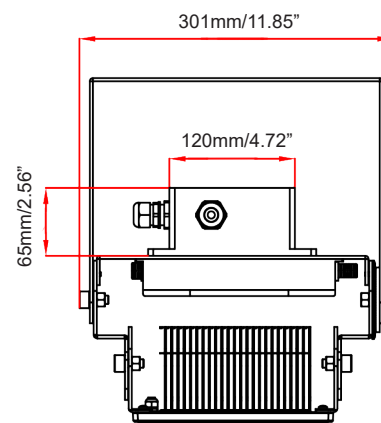
Packaging

New weight lamp (kg/lb):	6.1 / 13.42
Gross weight carton (kg/lb):	23 / 50.6
Master carton dimensions (mm/in):	530 x 340 x 730 / 20.87 x 13.39 x 28.74
Quantity per carton:	4

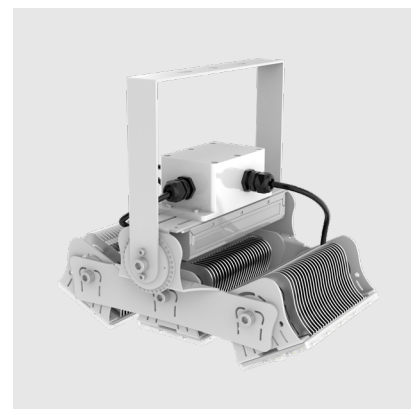
Code composition

Series	Model	Mounting	Wattage		Beam Angles	
FL	Flood Light	PSRGBW	Poolsider RGBW	200W	200W	60° 60D
		YK	Yoke Mount (Standard)			90° 90D
		PM	Pendant Mount			120° 120D
		CAB	Cross Arm Bracket			

CCT	Voltage	Dimming	Finish	Accessories
RGBW	RGBW	UNV 120-277V	ND No Dimming	GR Grey
				NA No Accessories
				SC Safety Cable 1m / 39.37"



POOLSIDER RGBW FLOOD LIGHT 300W



Product Information

300W

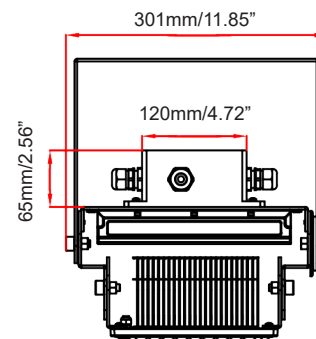
Installation:	Yoke (Standard), Pendant, Cross Arm Bracket
Material:	Aluminum
Finish:	Grey
System power (W):	300W
LED driver:	Meanwell XLG - 2pc (UNV)
LED engine:	RGBW

Packaging

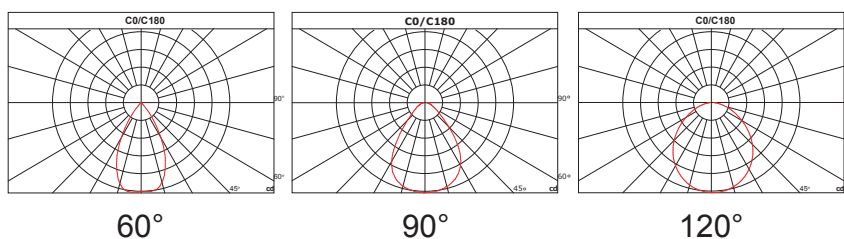
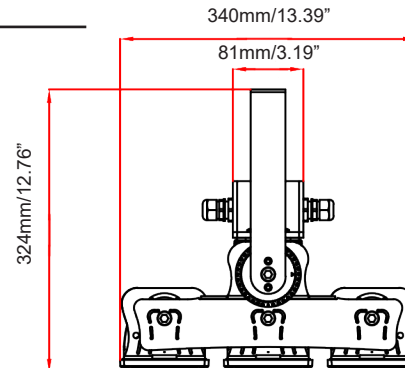
New weight lamp (kg/lb):	7.5 / 16.5
Gross weight carton (kg/lb):	16 / 35.2
Master carton dimensions (mm/in):	430 x 350 x 570 / 16.93 x 13.78 x 22.44
Quantity per carton:	2

Code composition

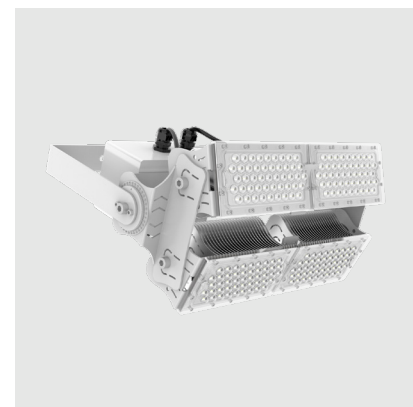
Series	Model	Mounting	Wattage		Beam Angles	
FL	Flood Light	PSRGBW Poolsider RGBW	YK Yoke Mount (Standard)	300W	300W	60 60D
			PM Pendant Mount			90 90D
			CAB Cross Arm Bracket			120 120D



CCT	Voltage	Dimming	Finish	Accessories	
RGBW RGBW	UNV 120-277V	ND No Dimming	GR Grey	NA No Accessories	
				SC Safety Cable 1m / 39.37"	



POOLSIDER RGBW FLOOD LIGHT 400W



Product Information

400W

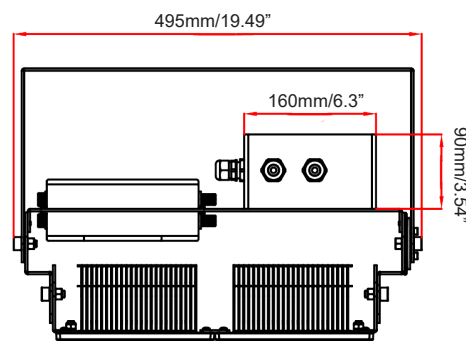
Installation:	Yoke (Standard), Pendant, Cross Arm Bracket
Material:	Aluminum
Finish:	Grey
System power (W):	400W
LED driver:	Meanwell XLG - 2pc (UNV)
LED engine:	RGBW

Packaging

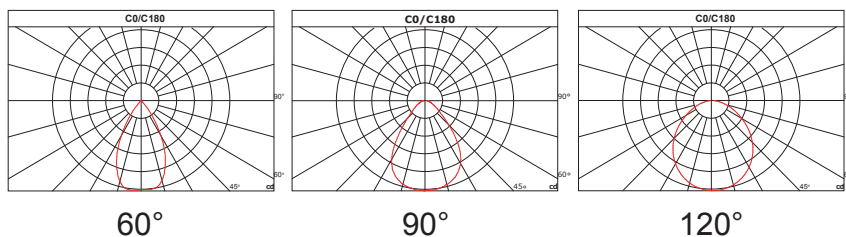
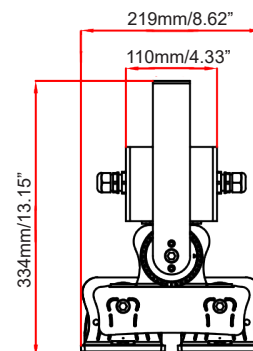
New weight lamp (kg/lb):	10 / 22
Gross weight carton (kg/lb):	21.5 / 47.3
Master carton dimensions (mm/in):	550 x 530 x 430 / 21.65 x 20.87 x 16.93
Quantity per carton:	2

Code composition

Series	Model	Mounting	Wattage		Beam Angles	
FL	Flood Light	PSRGBW Poolsider RGBW	400W	400W	60	60D
		PM Pendant Mount			90	90D
		CAB Cross Arm Bracket			120	120D



CCT	Voltage	Dimming	Finish	Accessories	
RGBW RGBW	UNV 120-277V	ND No Dimming	GR Grey	NA	No Accessories
				SC	Safety Cable 1m / 39.37"



POOLSIDER RGBW FLOOD LIGHT 600W



Product Information

600W

Installation:	Yoke (Standard), Pendant, Cross Arm Bracket
Material:	Aluminum
Finish:	Grey
System power (W):	600W
LED driver:	Meanwell XLG - 3pc (UNV)
LED engine:	RGBW

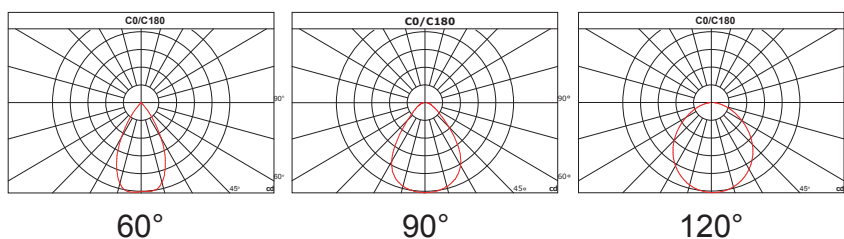
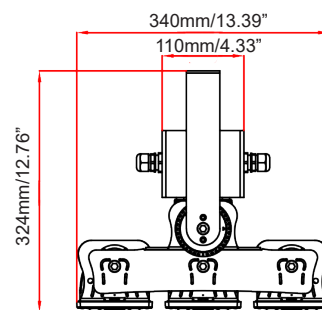
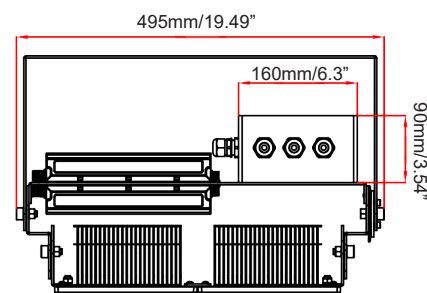
Packaging

New weight lamp (kg/lb):	13.5 / 29.7
Gross weight carton (kg/lb):	28 / 61.6
Master carton dimensions (mm/in):	550 x 440 x 700 / 21.65 x 17.32 x 27.56
Quantity per carton:	2

Code composition

Series	Model	Mounting	Wattage	Beam Angles
FL Flood Light	PSRGBW Poolsider RGBW	YK Yoke Mount (Standard)	600W 600W	60 60D 90 90D 120 120D
		PM Pendant Mount		
		CAB Cross Arm Bracket		

CCT	Voltage	Dimming	Finish	Accessories
RGBW RGBW	UNV 120-277V	ND No Dimming	GR Grey	NA No Accessories SC Safety Cable 1m / 39.37"



POOLSIDER RGBW FLOOD LIGHT BUG TABLE

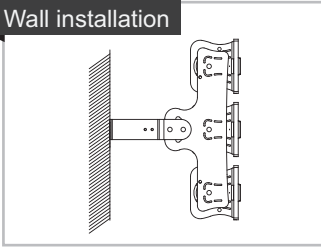
WATTAGE	OPTIC	BUG RATING
50W	10	B3-U3-G3
50W	30	B4-U3-G1
50W	60	B3-U3-G1
50W	90	B3-U2-G1
50W	120	B3-U2-G1
100W	10	B4-U3-G3
100W	30	B5-U3-G2
100W	60	B4-U3-G1
100W	90	B4-U3-G1
100W	120	B3-U3-G1
150W	10	B4-U3-G4
150W	30	B5-U3-G3
150W	60	B5-U3-G2
150W	90	B5-U3-G1
150W	120	B4-U3-G2
200W	10	B5-U4-G5
200W	30	B5-U3-G3
200W	60	B5-U3-G2
200W	90	B5-U3-G1
200W	120	B5-U3-G2

WATTAGE	OPTIC	BUG RATING
300W	10	B5-U4-G5
300W	30	B5-U3-G4
300W	60	B5-U3-G3
300W	90	B5-U3-G2
300W	120	B5-U3-G3
400W	10	B5-U5-G5
400W	30	B5-U3-G4
400W	60	B5-U4-G3
400W	90	B5-U3-G2
400W	120	B5-U3-G3
600W	10	B5-U5-G5
600W	30	B5-U4-G5
600W	60	B5-U4-G3
600W	90	B5-U3-G3
600W	120	B5-U4-G4

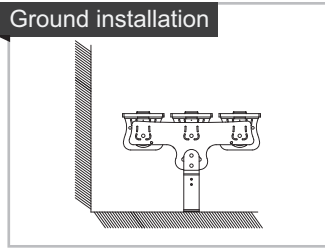
POOLSIDER RGBW FLOOD LIGHT FOR POOLS AND NATATORIUMS

Yoke Mounting Options

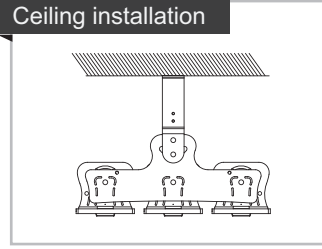
Wall installation



Ground installation

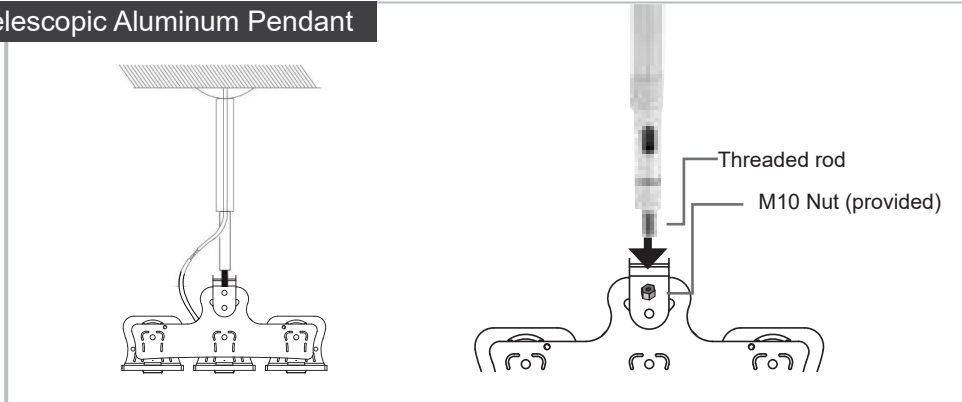


Ceiling installation



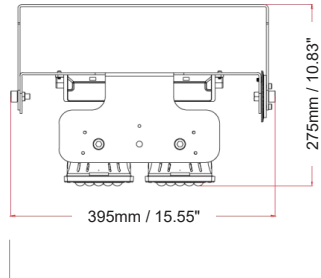
Pendant Mount

Telescopic Aluminum Pendant

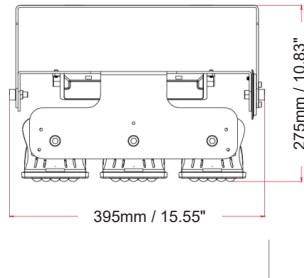


Cross Arm Bracket Mount

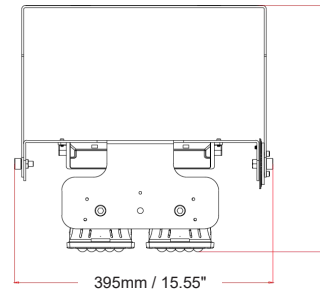
120/200W



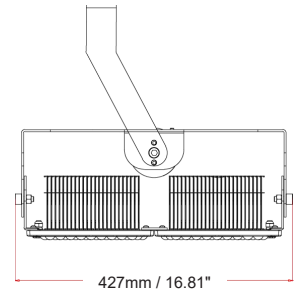
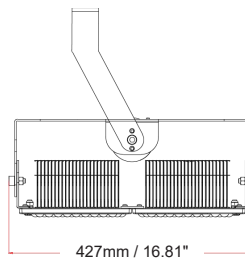
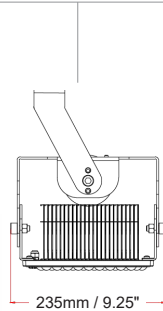
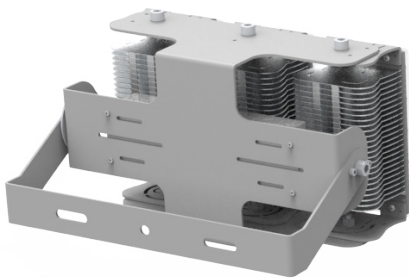
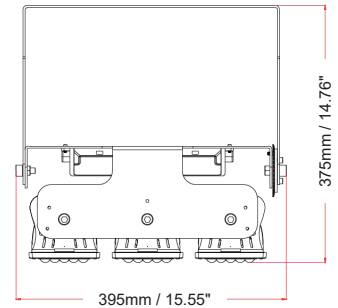
180/300W



240/400W



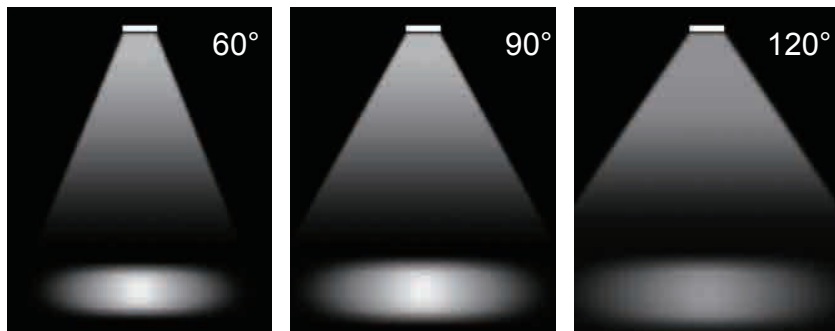
360/600W



Cross Arm Bracket

POOLSIDER RGBW FLOOD LIGHT FEATURES

Beam Angles

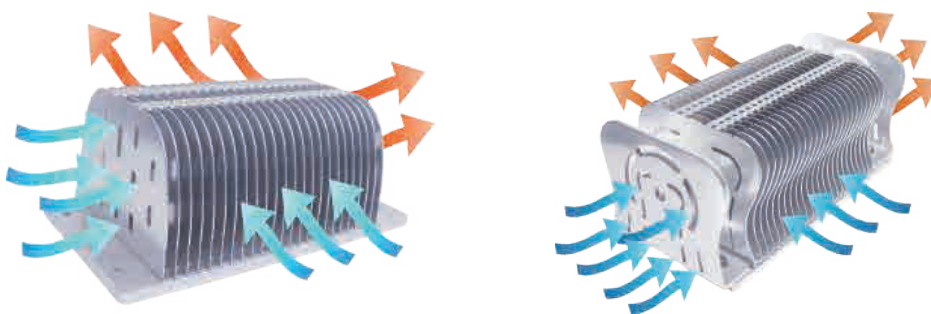


ACCESSORIES

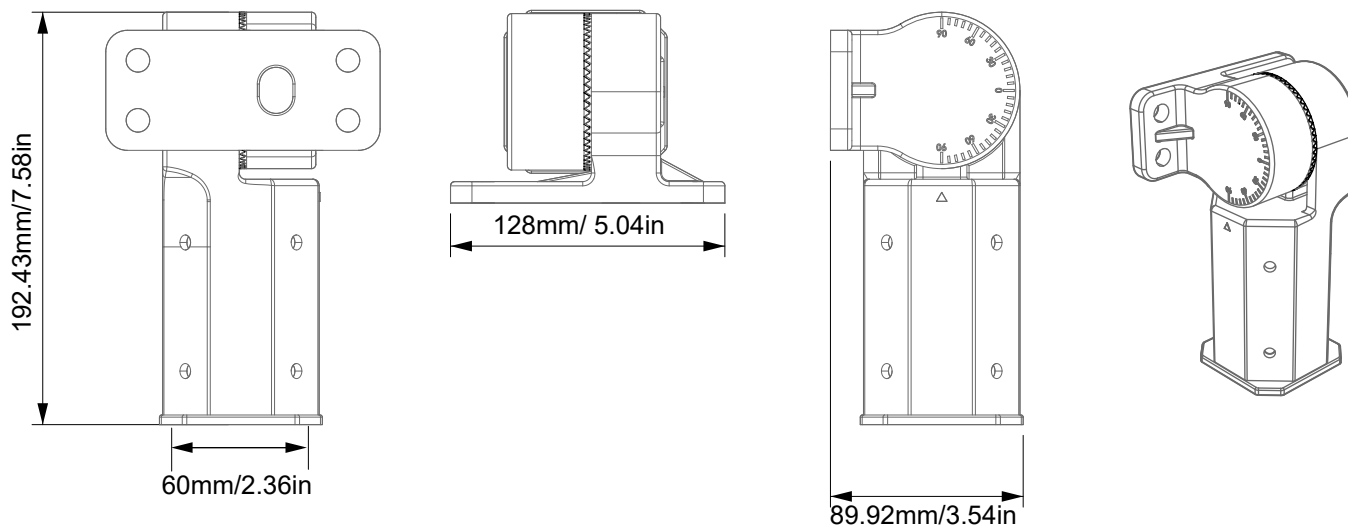
Safety Chain 1m / 39.37"



Ultra Lightweight, Highly Efficient Heat Distribution
Multi Air Flow + Aluminum Cooling Fan

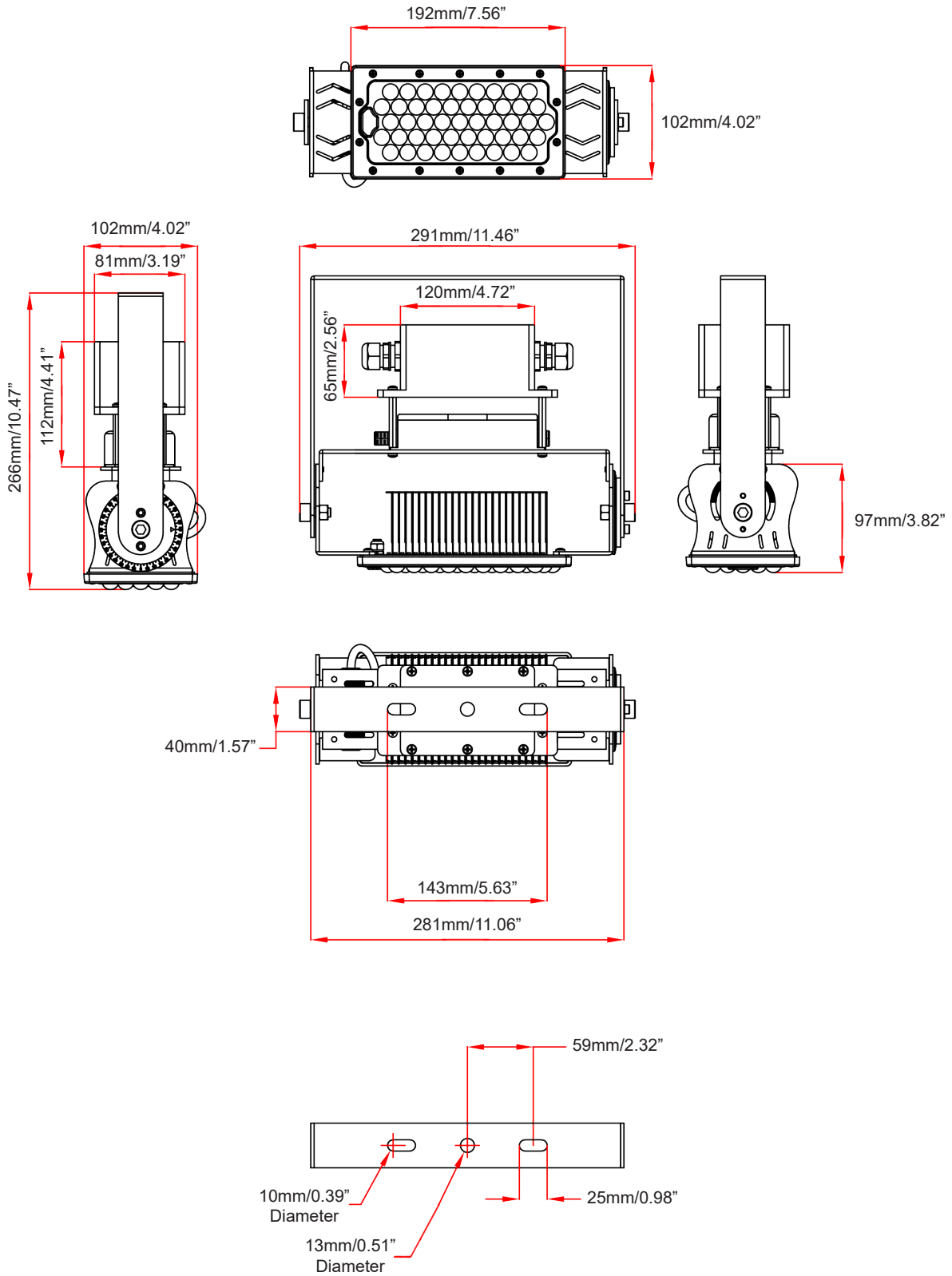


SLIP FITTER DIMENSIONS



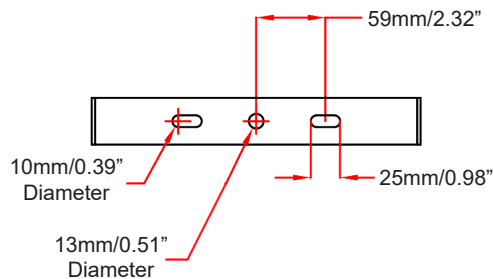
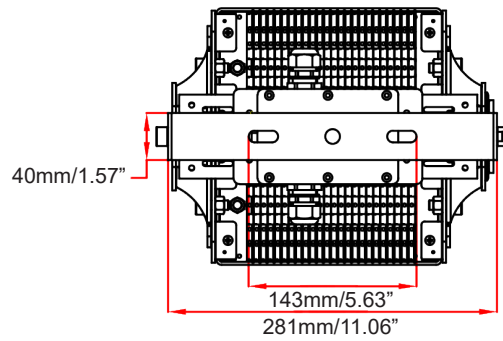
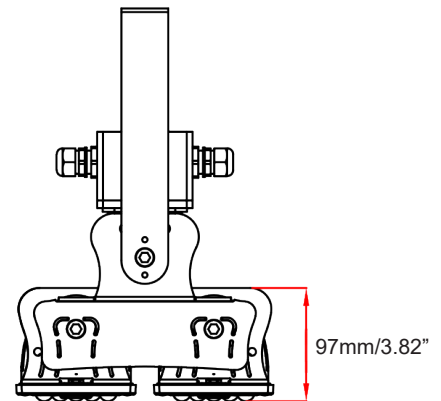
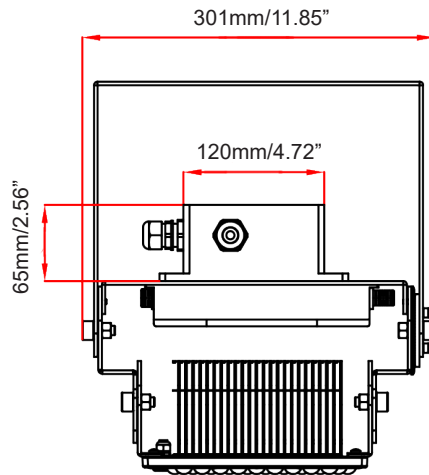
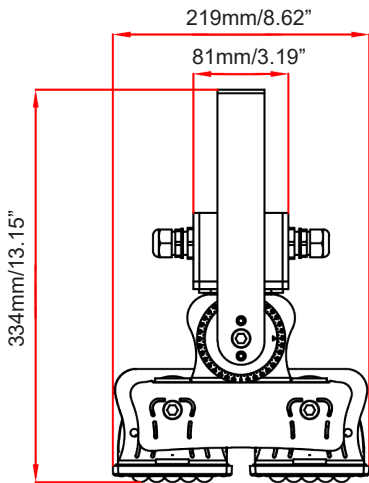
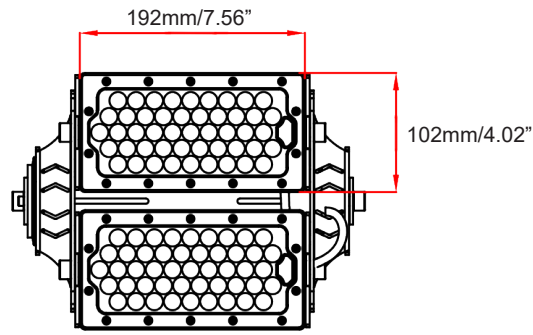
POOLSIDER RGBW FLOOD LIGHT

50W/100W

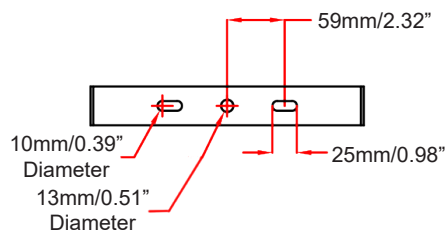
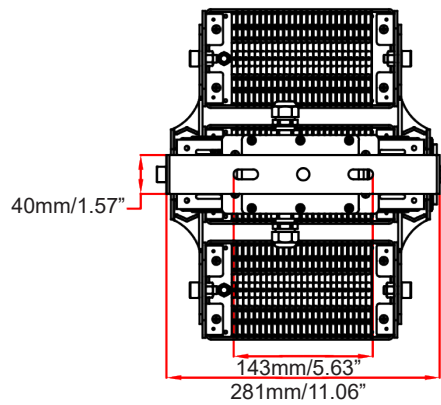
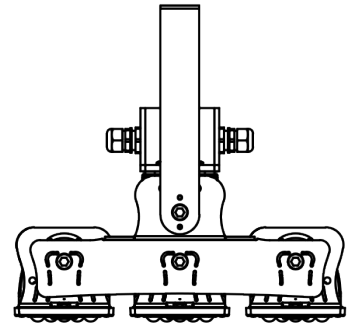
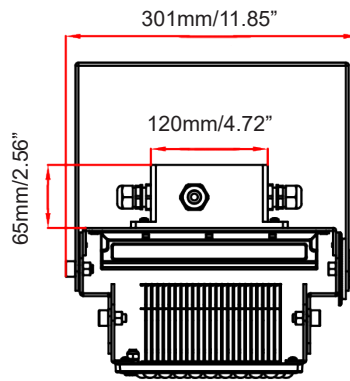
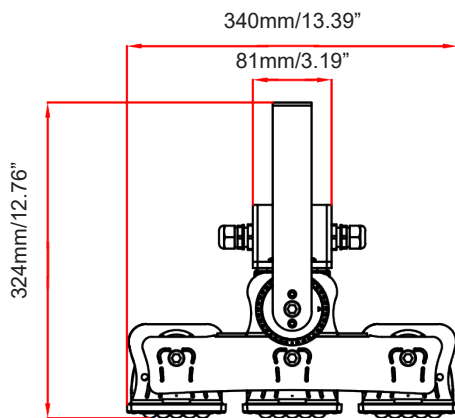
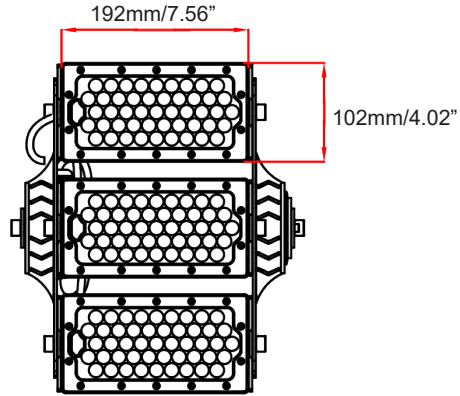


POOLSIDER RGBW FLOOD LIGHT

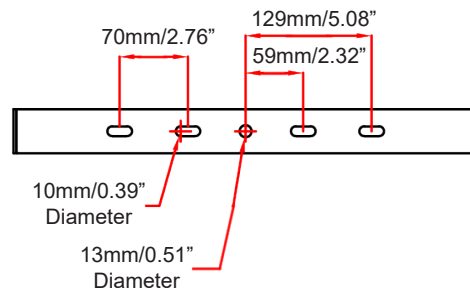
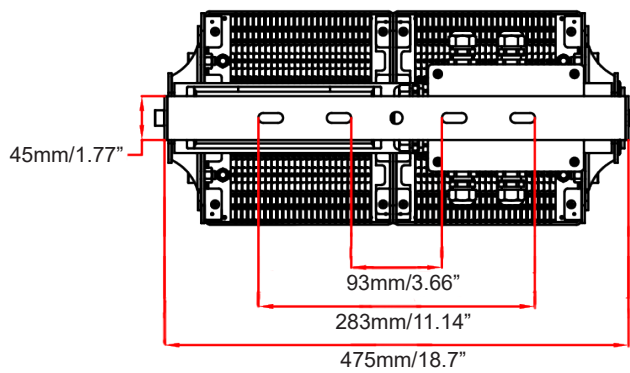
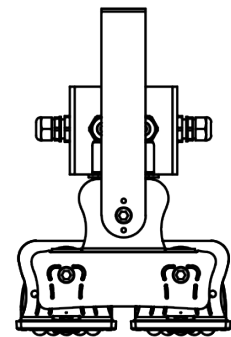
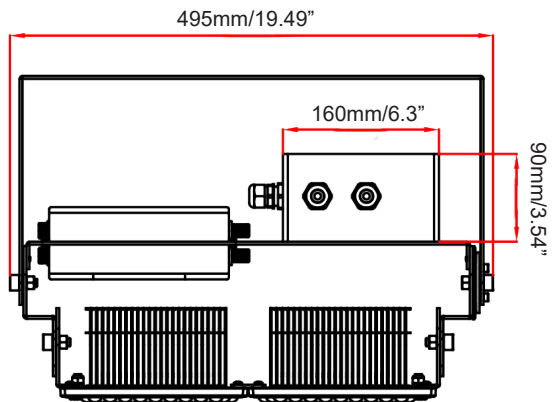
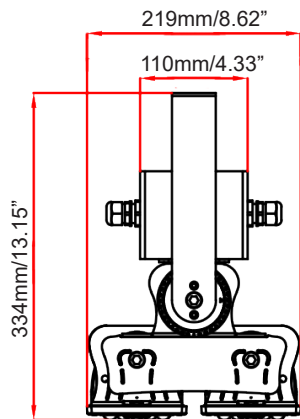
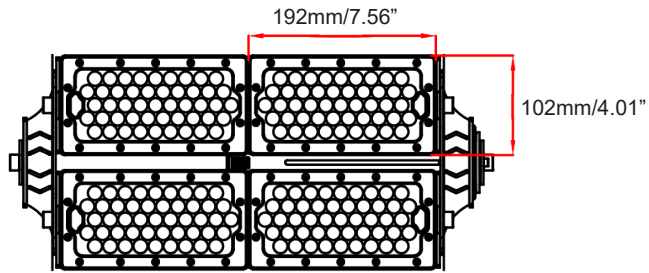
150W/200W



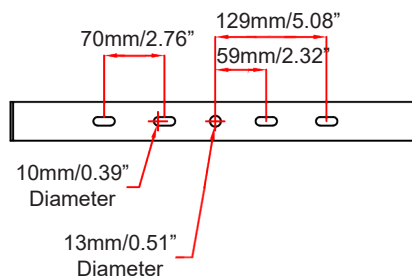
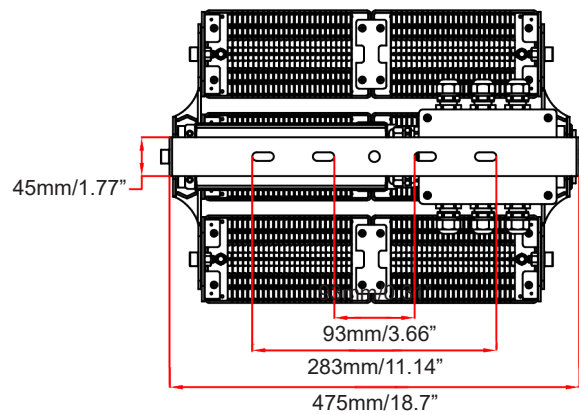
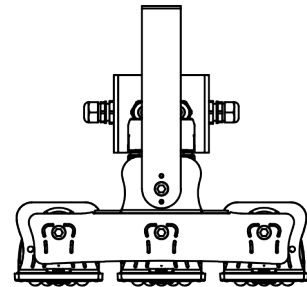
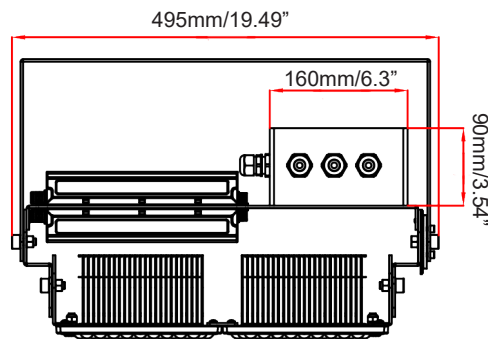
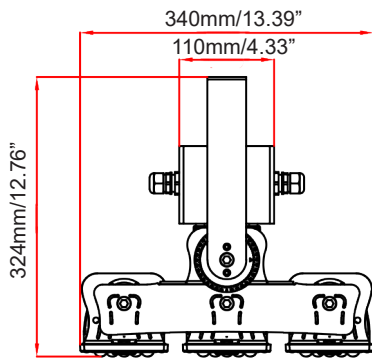
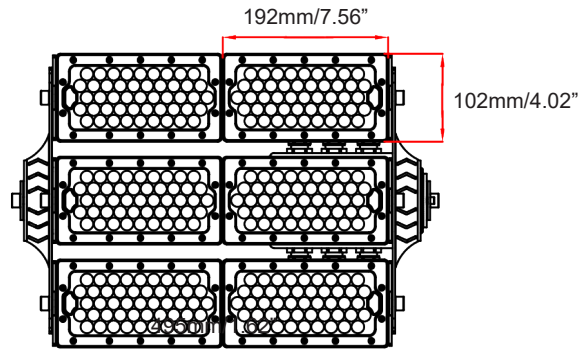
POOLSIDER RGBW FLOOD LIGHT 300W



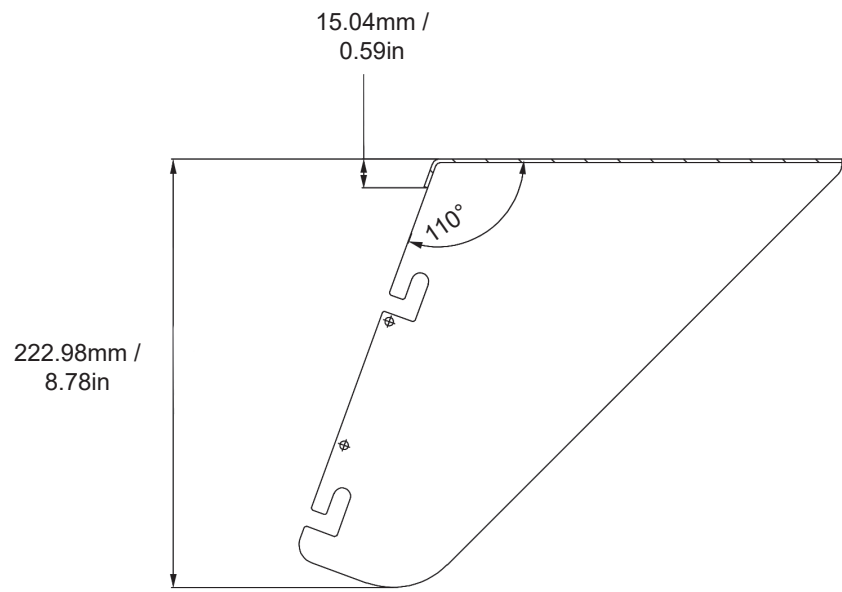
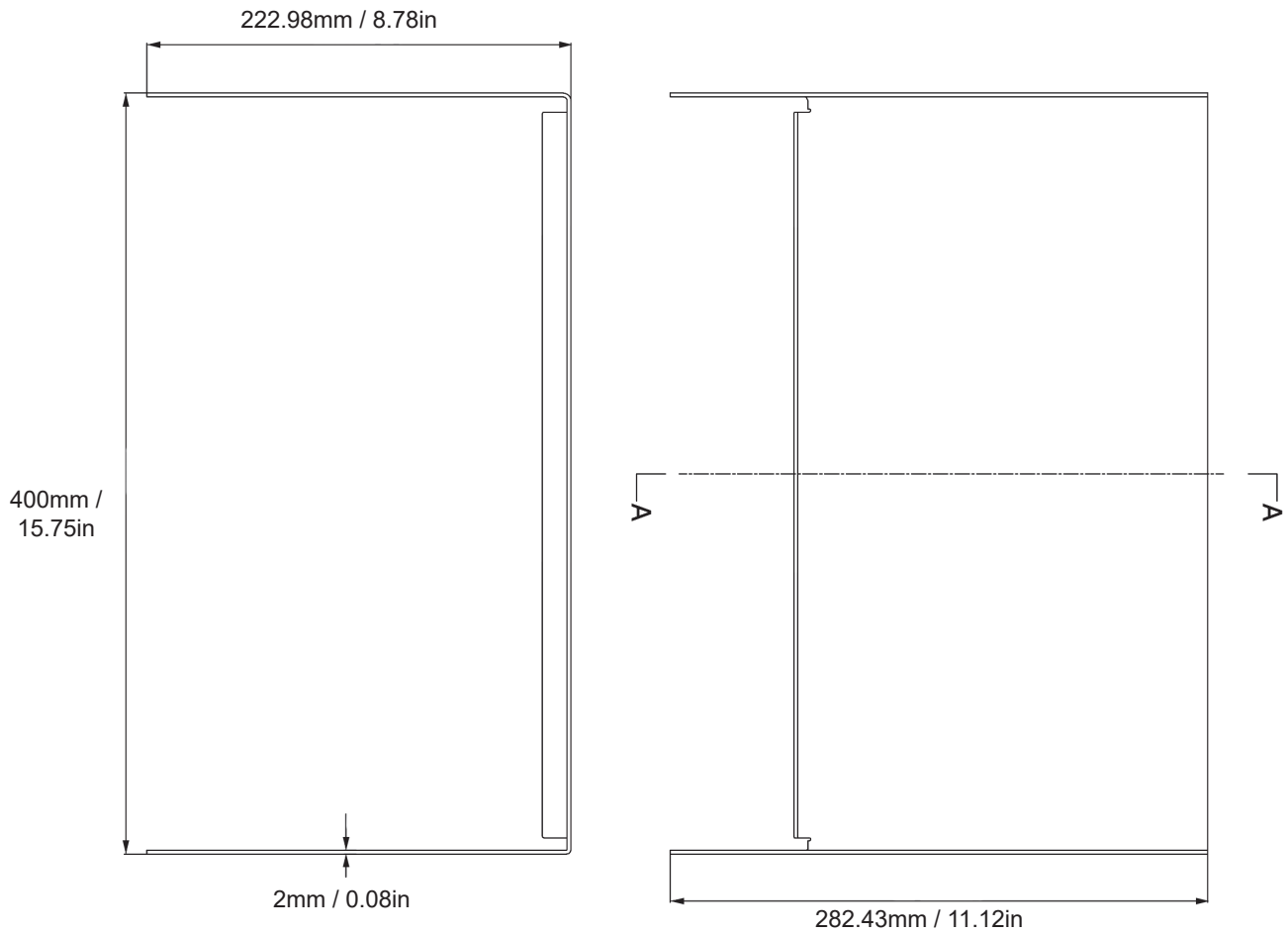
POOLSIDER RGBW FLOOD LIGHT 400W



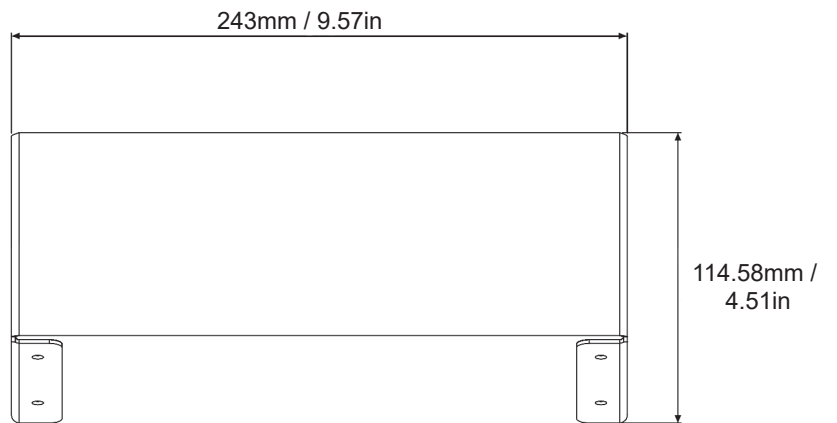
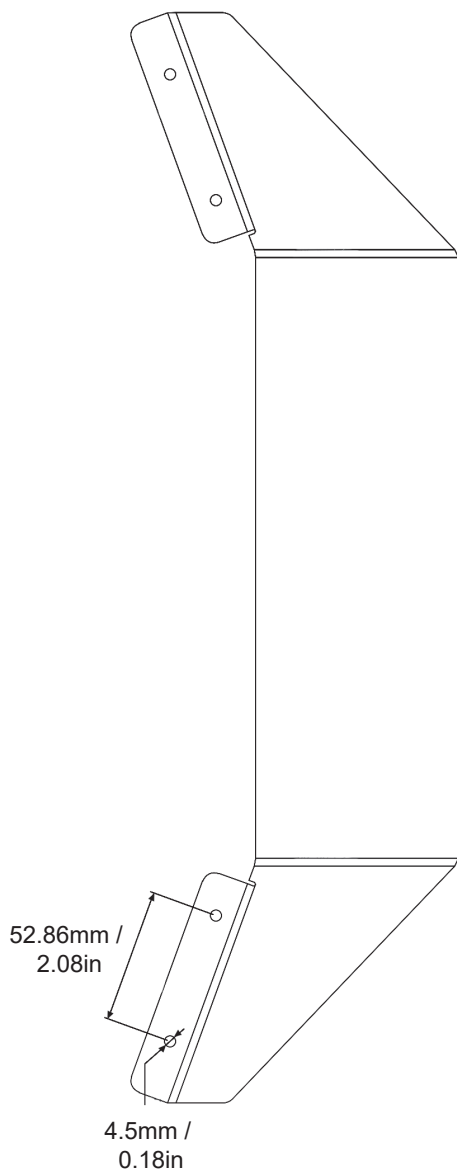
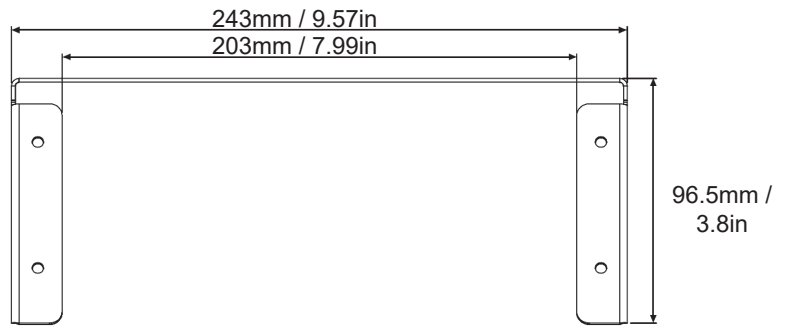
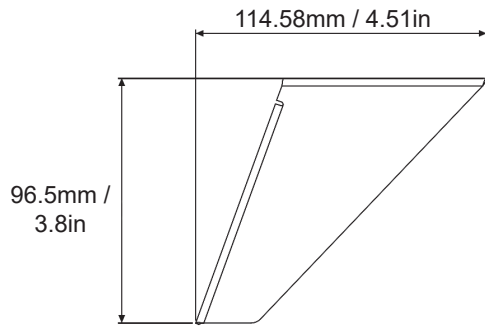
POOLSIDER RGBW FLOOD LIGHT 600W



POOLSIDER RGBW FLOOD LIGHT 400W/600W SHIELD

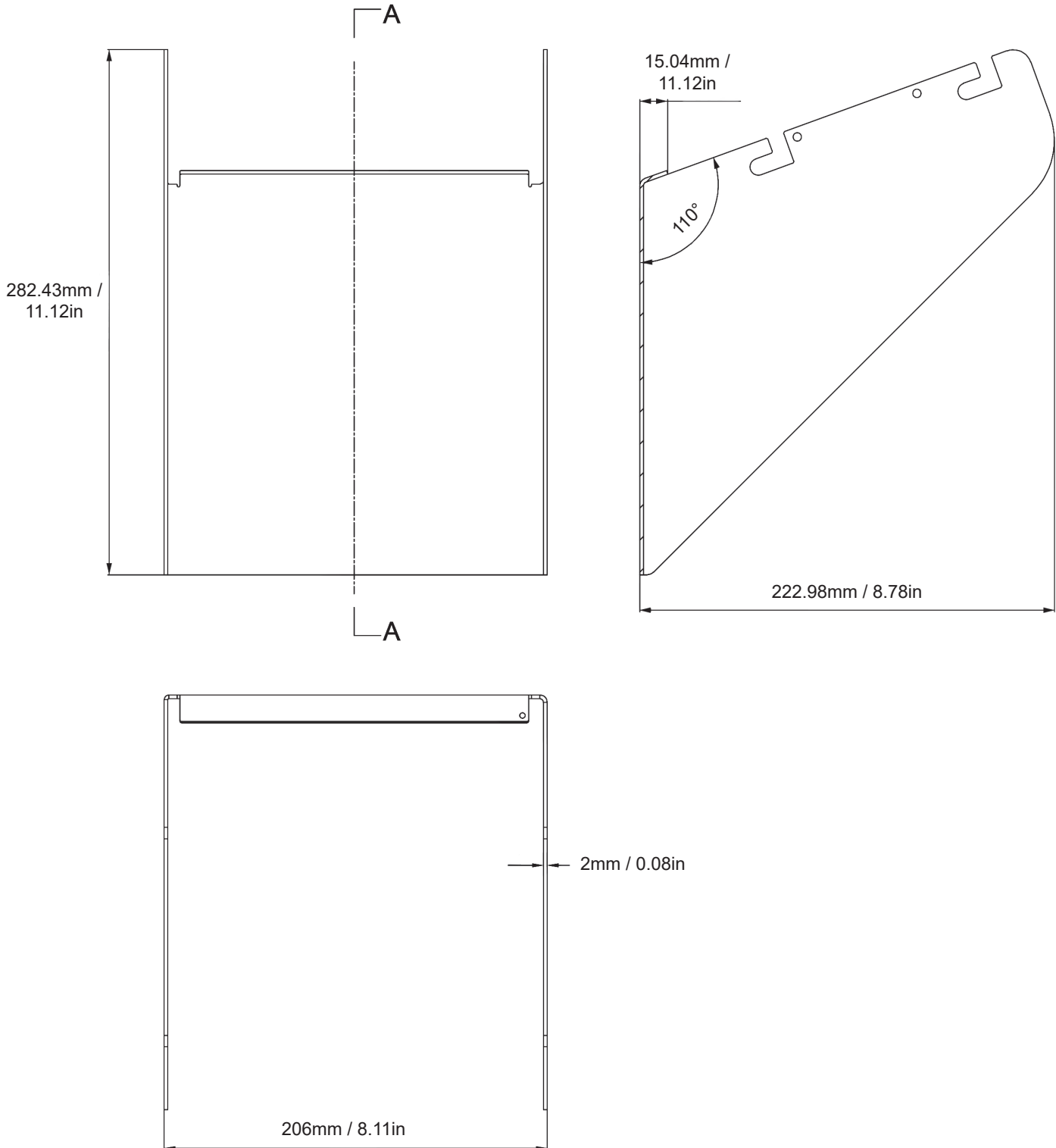


POOLSIDER RGBW FLOOD LIGHT 50W/100W SHIELD

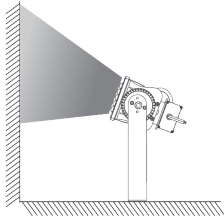


POOLSIDER RGBW FLOOD LIGHT

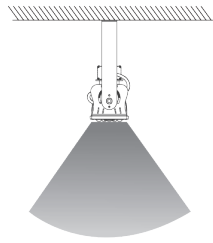
150W/200W/300W SHIELD



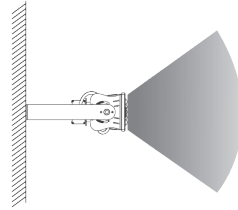
POOLSIDER RGBW FLOOD LIGHT INSTALLATION METHODS



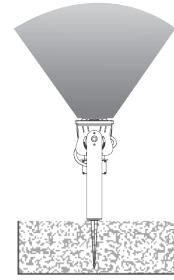
Wall washer



Ceiling/Suspension
Installation

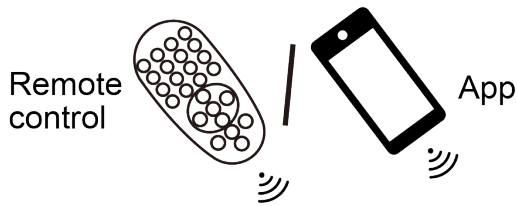


Wall Installation

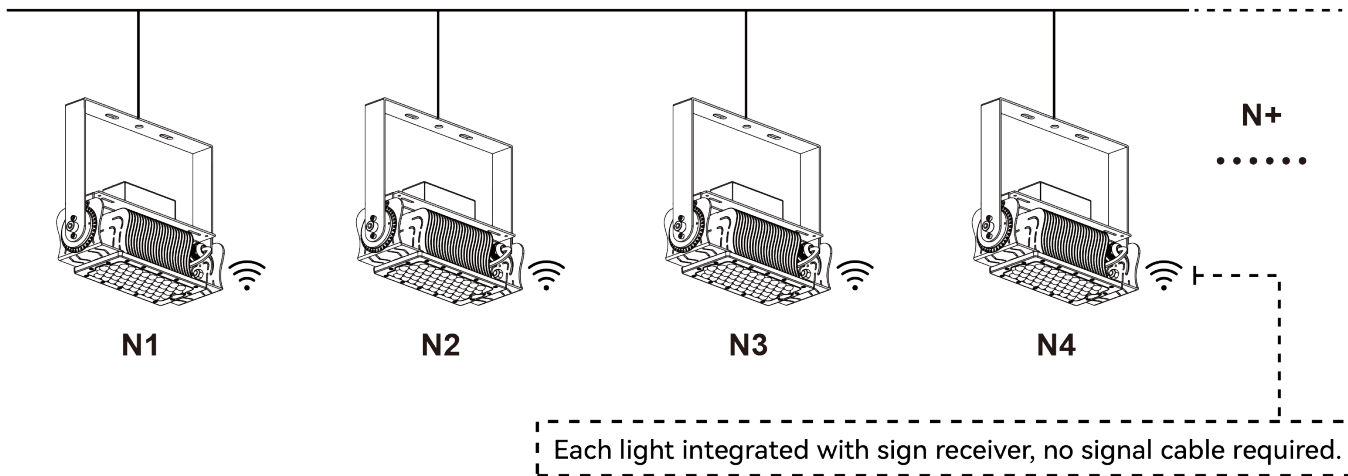


Ground Stake

WIRING



AC 100-277V

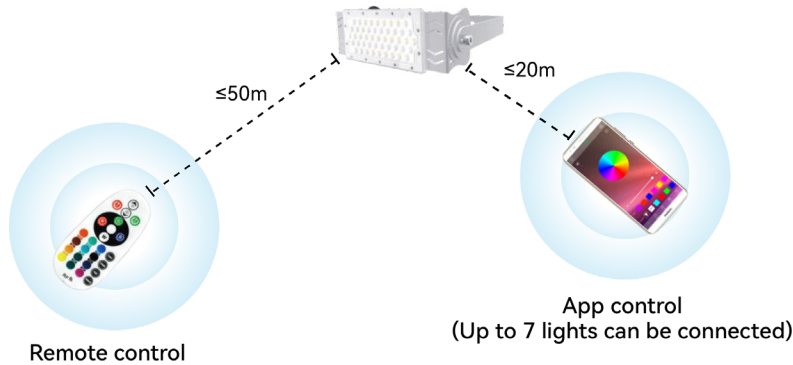


POOLSIDER RGBW FLOOD LIGHT

REMOTE/APP CONTROL

Remote
Remote control: 2.4G
Remote control distance: 50 meters limit

APP
Transmission mode: Bluetooth 4.0 or later
Mobile operating system: IOS6.0, Android 4.3, HarmonyOS 2.0 or later
Control distance: 20 meters limit



► Remote control:

The controller is universal, which means that one remote control can control all lights. (Also, you can choose separate control type that one light is equipped with one remote control.)

Control functions include :

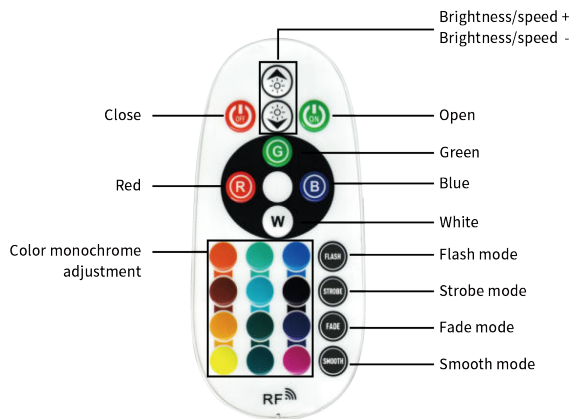
- Brightness/speed adjustment
- Monochrome color selection
- Mode selection :
 - Flash mode
 - Strobe mode
 - Fade mode
 - Smooth mode

► App control: (App language follows the mobile phone system)

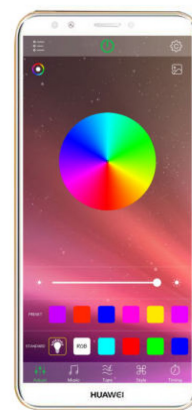
Before using the App control, please install the App control software. Scan the QR code on the light, download and install the software. Then, turn on the Bluetooth to connect the light to realize the control.

Control functions include :

- Static color adjustment:
 - Monochrome option / bright adjustment / picture color
- Music mode
- Dynamic mode
- Voice control mode
- Timing mode.



Remote Control



App Control