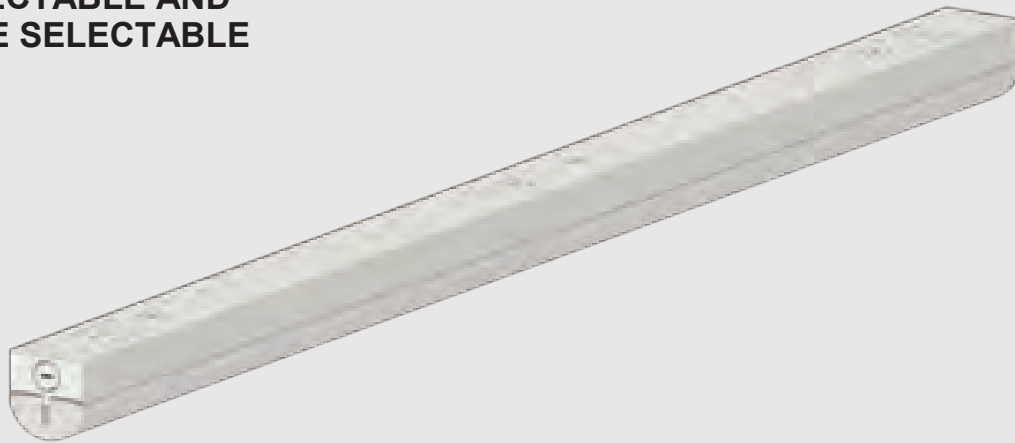


MULTI STRIP LIGHT CCT SELECTABLE AND WATTAGE SELECTABLE



Description

LuxLogic Lighting's Multi Strip Light is **BOTH CCT SELECTABLE (3500K/4000K/5000K) AND WATTAGE SELECTABLE.**

It is ideal for use in mezzanines, workshops, commercial garages and warehouse environments.

The Multi Strip Light has a 120-degree beam angle and a handy removable lens for quick cleaning. It has an efficacy of 130lm/W.

2FT, 4FT and 8FT lengths are available. The fixture is available with either a round (standard) or square PC lens (please consult factory).

They can be surface mounted or suspended.

Suspension kit (SP) includes 2pcs 1m aircraft cables and 1pc 1m white power cable. They can be connected for continuous runs by way of an IC (inline connector) accessory.

Operating temperature: -20 ~ 45°C / -4 ~ 113°F

IP20 Rated.

Electrical Specifications

Wattage Selectable Options:

2 ft: 15W/18W/22W/25W

4 ft: 30W/36W/40W/50W

8 ft: 60W/68W/72W/80W Efficacy: 130Lm/W

Standard cable length is 40cm/15"

Available Voltages:

120-347VAC Dimmable 0-10V

Colour Rendering Index > 80

Certifications/Warranty

6 year warranty





MULTI STRIP LIGHT-2'

25W (Selectable)

Product Information

25W (Selectable)

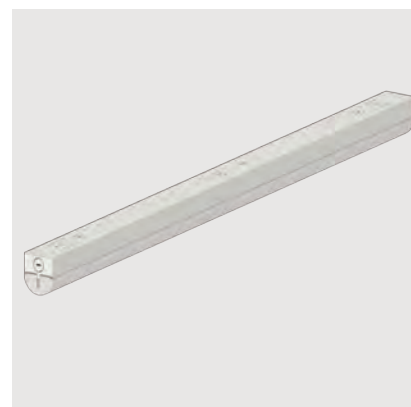
Installation:	Surface Mount (Standard), Suspended
Material:	Aluminum/Polycarbonate
Finish:	Powder coat
System power (W):	15W/18W/22W/25W
Fixture lumen output (lm):	1950/2340/2860/3250
System efficiency (lm/W):	130

Packaging

Net weight lamp (kg/lb):	4.12 / 9.1
Gross weight carton (kg/lb):	4.88 / 10.77
Master carton dimensions (mm/in):	645.1x160.0x160.0 / 25.4x6.3x6.3
Quantity per carton:	4

Code composition

Series	Model	Size	Mounting	Wattage-Lumens
SL Strip light	MS Multi Strip	2F 2 Feet	CM Surface Mount (Standard) SP Suspended	25WS-32.5L 25WS-3250lm



A	B	C
609mm / 23.98"	66.55mm / 2.62"	65.02mm / 2.56"



CCT	CRI	Voltage	Dimming	Finish	Lens	Accessories
CCTS 3500K/4000K/5000K Selectable	80 80+	CUNV 120-347V	D 0-10V Dimming	WH White (Standard)	R Round (standard)	<ul style="list-style-type: none"> NA No Accessories IC Inline Connectors OS Microwave Occupancy Sensor (Integral) EB1 Emergency Battery 8W (remote) (CUNV 120-347V) WG1 2 Foot Wire Guard (Silver)



MULTI STRIP LIGHT-4'

50W (Selectable)

Product Information

50W (Selectable)

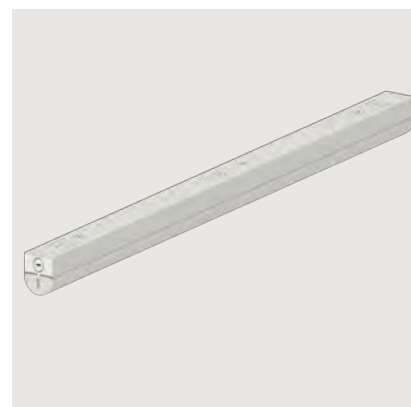
Installation:	Surface Mount (Standard), Suspended
Material:	Aluminum/Polycarbonate
Finish:	Powder coat
System power (W):	30W/36W/40W/50W
Fixture lumen output (lm):	3900/4680/5200/6500
System efficiency (lm/W):	130

Packaging

Net weight lamp (kg/lb):	6.5 / 14.48
Gross weight carton (kg/lb):	8.7 / 19.27
Master carton dimensions (mm/in):	1254.7x160.0x160.0 / 49.4x6.3x6.3
Quantity per carton:	4

Code composition

Series	Model	Size	Mounting	Wattage-Lumens
SL Strip light	MS Multi Strip	4F 4 Feet	CM Surface Mount (Standard) SP Suspended	50WS-65L 50WS-6500 lm



A	B	C
1219.2mm / 48"	66.55mm / 2.62"	65.02mm / 2.56"



CCT	CRI	Voltage	Dimming	Finish	Lens	Accessories
CCTS 3500K/4000K/5000K Selectable	80 80+	CUNV 120-347V	D 0-10V Dimming	WH White (Standard)	R Round (standard)	<ul style="list-style-type: none"> NA No Accessories IC Inline Connectors OS Microwave Occupancy Sensor (Integral) EB2 Emergency Battery 8W (integral) (CUNV 120-347V) WG2 4 Foot Wire Guard (Silver)



MULTI STRIP LIGHT-8'

80W (Selectable)

Product Information

80W (Selectable)

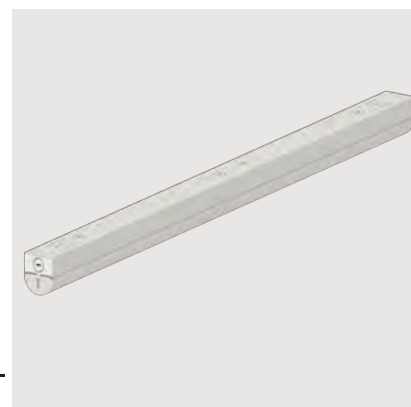
Installation:	Surface Mount (Standard), Suspended
Material:	Aluminum/Polycarbonate
Finish:	Powder coat
System power (W):	60W/68W/72W/80W
Fixture lumen output (lm):	7800/8840/9360/10400
System efficiency (lm/W):	130

Packaging

Net weight lamp (kg/lb):	13.6 / 30
Gross weight carton (kg/lb):	16.4 / 36.31
Master carton dimensions (mm/in):	2474.9x160.0x160.0 / 97.44x6.3x6.3
Quantity per carton:	4

Code composition

Series	Model	Size	Mounting	Wattage-Lumens
SL Strip light	MS Multi Strip	8F 8 Feet	CM Surface Mount (Standard) SP Suspended	80WS-104L 80WS-1040lm



A	B	C
2438.4mm / 96"	66.55mm / 2.62"	65.02mm / 2.56"



CCT	CRI	Voltage	Dimming	Finish	Lens	Accessories
CCTS 3500K/4000K/5000K Selectable	80 80+	CUNV 120-347V	D 0-10V Dimming	WH White (Standard)	R Round (standard)	NA No Accessories IC Inline Connectors OS Microwave Occupancy Sensor (Integral) EB2 Emergency Battery 8W (integral) (CUNV 120-347V) WG2 4 Foot Wire Guard (Silver) (2 required)

MULTI-STRIP SUSPENSION KIT



Please note includes 1 meter
white power cable.

INSTRUCTIONS TO SELECT WATTAGE AND CCT

SELECT WATTAGE

1. Find the “1” & “2” key (red color) on the left side of driver.
2. Use a tool to down or up the “1” & “2” key together to select the power.
3. Turn on the lights and then it works.



2ft 4 Wattages Select

Watt/ Key	1	2
15 w	Down	Down
18 w	Up	Down
22 w	Down	Up
25 w	Up	Up

4ft 4 Wattages Select

Watt/ Key	1	2
30 w	Down	Down
36 w	Up	Down
40 w	Down	Up
50 w	Up	Up

8ft 4 Wattages Select

Watt/ Key	1	2
60 w	Down	Down
68 w	Up	Down
72 w	Down	Up
80 w	Up	Up

Wattage Selectable			
Size	Power	Output Current	Input Current
2FT	25 w	450 mA	208 mA
	18 w	310 mA	150 mA
	22 w	380 mA	183 mA
	15 w	240 mA	125 mA

Wattage Selectable			
Size	Power	Output Current	Input Current
4FT	50 w	850 mA	416 mA
	36 w	650 mA	300 mA
	40 w	730 mA	333 mA
	30 w	540 mA	250 mA

Wattage Selectable			
Size	Power	Output Current	Input Current
8FT	80 w	1400 mA	666 mA
	68 w	1190 mA	566 mA
	72 w	1250 mA	600 mA
	60 w	1050 mA	500 mA

SELECT CCT

Increase the CCT from 3500K up to 5000K

4000K - One step up the key to the middle

5000K - two steps up the button to the top

50K
↑
40K
↑
35K



Decrease the CCT from 3500K down to 5000K

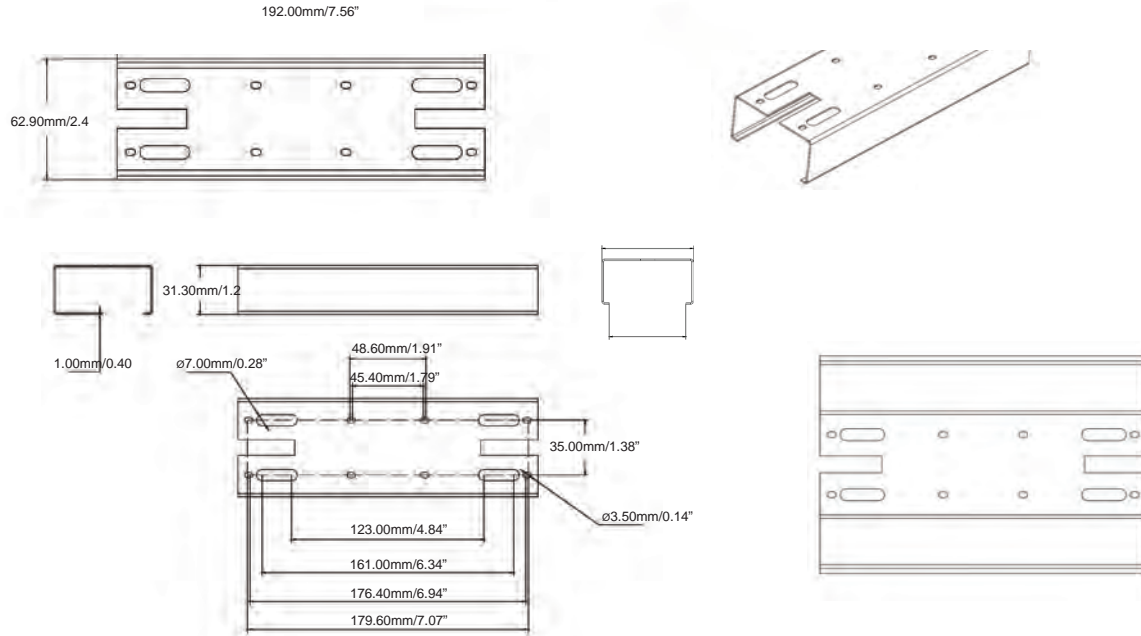
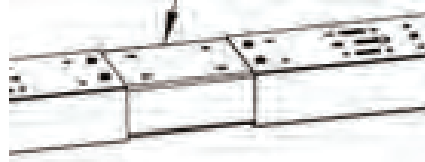
4000K - One step down the key to the middle

3500K - Two steps down the button to the top

35K
↓
40K
↓
50K

ACCESSORIES

INLINE CONNECTOR



MICROWAVE OCCUPANCY SENSOR



EMERGENCY DRIVER & BATTERY (CUNV 120-347V)



EB1

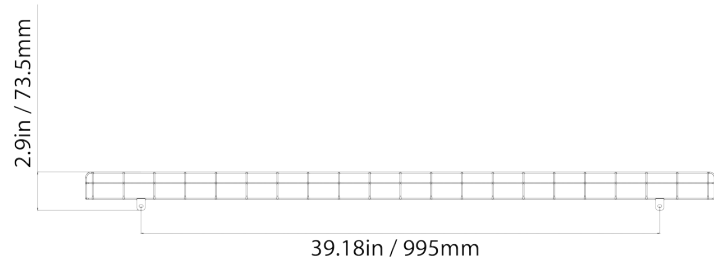
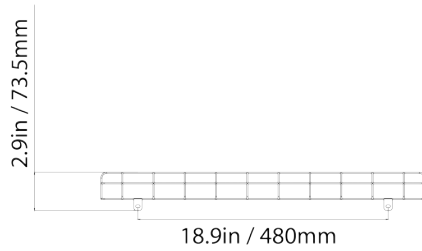
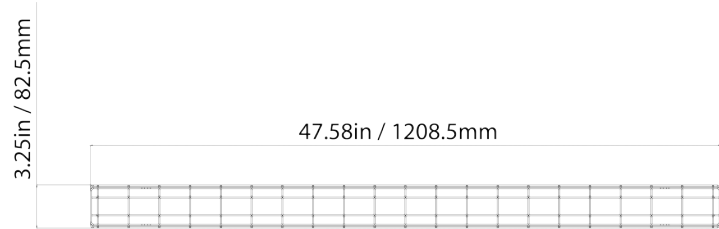
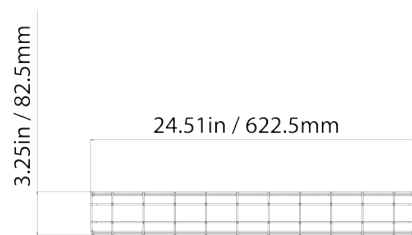
EB2

OCCUPANCY SENSOR DEFAULTS

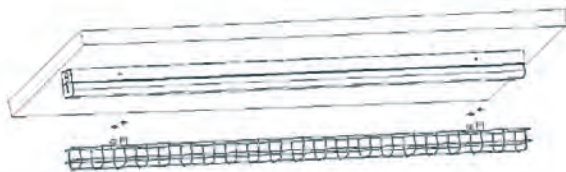
1. Delay time: 60min.
2. Standby time: 30s
3. Standby brightness: 10%
4. Daylight function turned off
5. Sensitivity: 100%

Fixture	Emergency Battery	Output Power	Emergency Time	Installation
2ft 25WS	EB1	8W	90 mins	Remote
4ft 50WS	EB2	8W	90 mins	Integral
8ft 80WS	EB2	8W	90 mins	Integral

WIREGUARD



WIREGUARD INSTALLATION



Position the wire guard and tighten the 4 screws by hand.

Please note for 8' fixtures, two 4' wireguards are required.



Installation is complete.

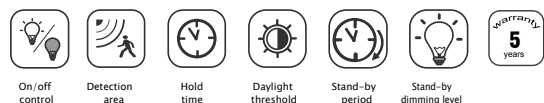
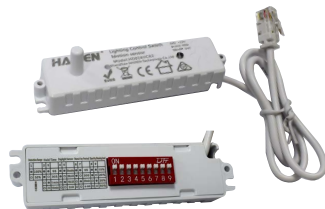
MICROWAVE OCCUPANCY SENSOR



DC input , Rod antenna

HD016VCR 2

- 1. Automatic On/off control with Daylight sensor.
- 2. DC input
- 3. Compact sized particularly suitable for Tri-proof light.
- 4. 5 year warranty.



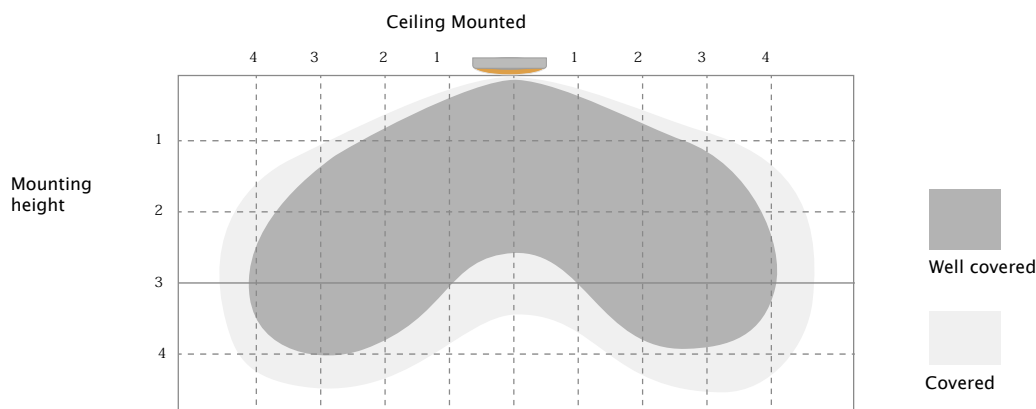
Technical data

Operating voltage	12VDC
Operating current	≤25mA
Output	0-10V
Stand-by power	≤0.5W
Detection area	50%/100%
Hold time	5s/30s/1min/10min
Daylight threshold	2Lux/10Lux/50Lux/Disable
Stand-by period	0s/30s/20min/+∞
Stand-by dimming level	10%/20%/30%/50%
Microwave frequency	5.8GHz±75MHz
Microwave power	<0.3mW
Mounting height	2.5-4m/8.2-13.12ft (ceiling mounted)
Detection range	∅4-10m/13.12-32.8ft (ceiling mounted)
Operating temperature	-20°C~+60°C
Motion detection	0.5-1.5m/s
IP rating	IP20
Warranty	5 years

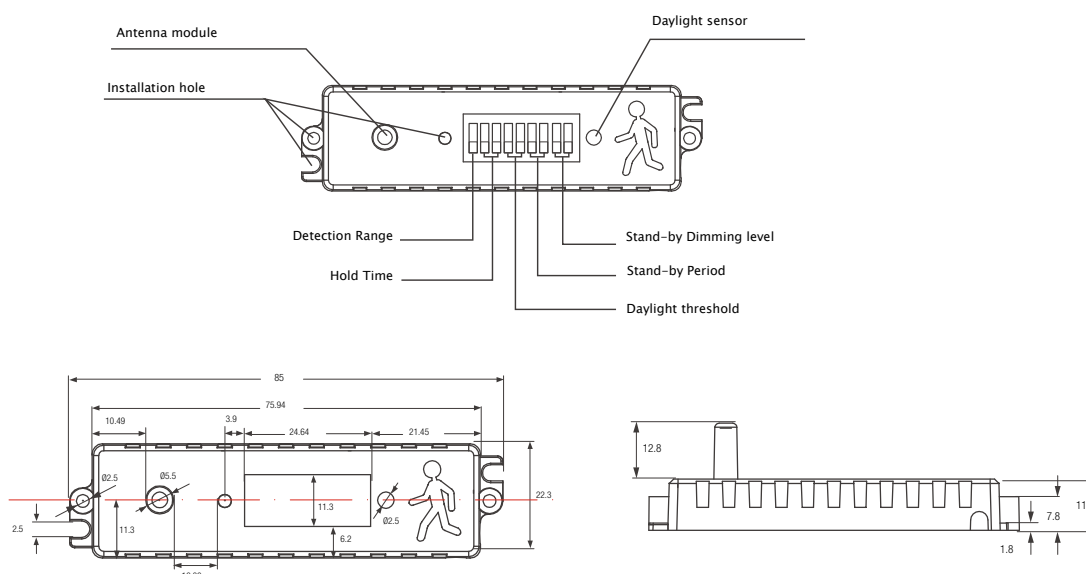
Detection coverage

Typical installation height 2.5-4m

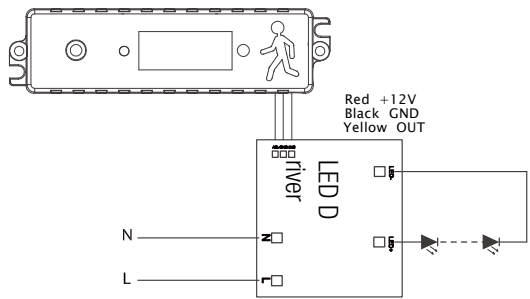
This figure indicates the maximum distance at the highest mounting height with 100% sensitivity.



Mechanical structure (Unit: mm)



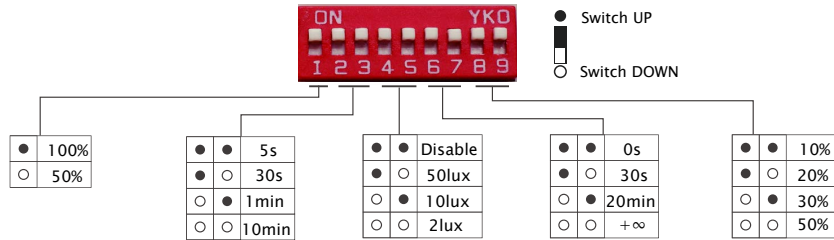
Wiring diagram



Multistrip OCC Sensor Default Settings

1. Delay time: 60min.
2. Standby time: 30s
3. Standby brightness: 10%
4. Daylight function turned off
5. Inductive sensitivity: 100%

Settings



Detection area
In this area, movement will be detected and able to trigger the sensor. 100% detection area is also known as the strong sensitivity.

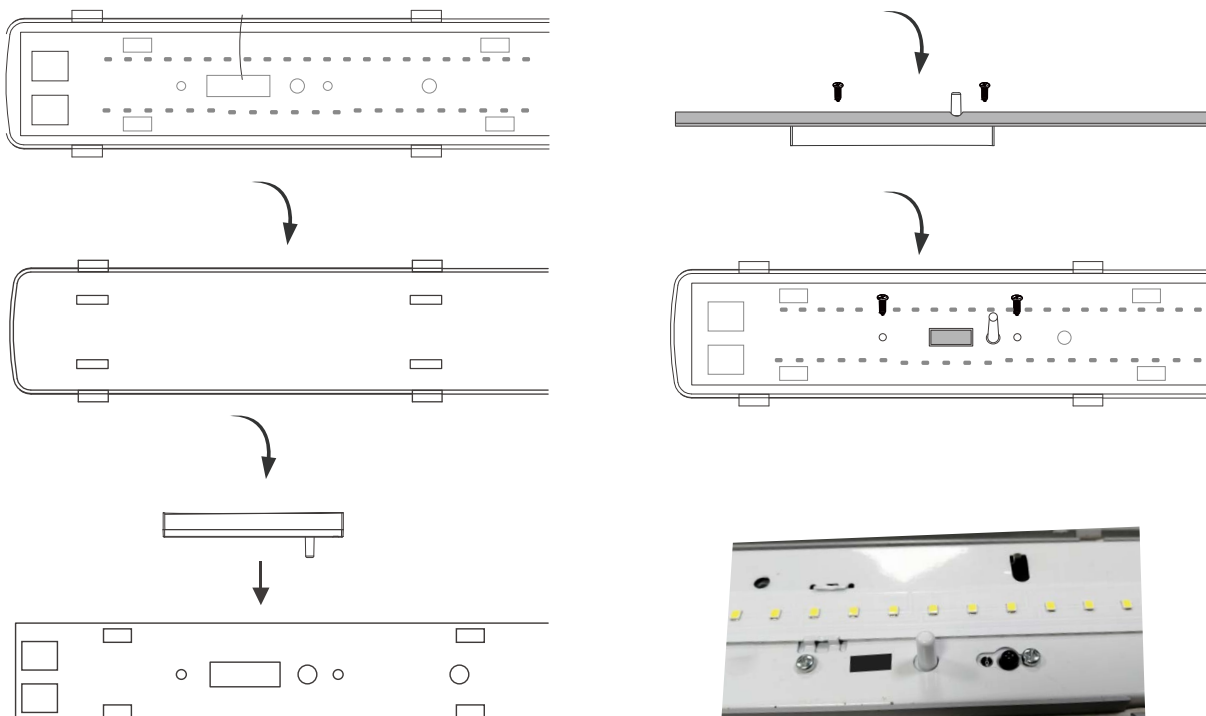
Hold-time
The period of light keeping 100% brightness after moving objects leave the detection area.

Daylight threshold
Definition of the ambient brightness; only when the ambient brightness is lower than the preset specific lux amount, the sensor will work; when it's preset as "disable", the sensor works everytime it detects motion regardless the ambient brightness.

Stand-by period
The period of light keeping low output before it's completely switched off. When it's preset as "∞", the light always keep at low output if no movement in the detection area and doesn't turn off.

Stand-by dimming level
The definition of low output in the standby period.

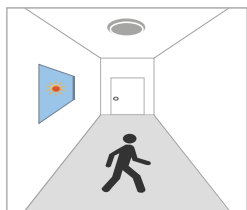
Installation Method



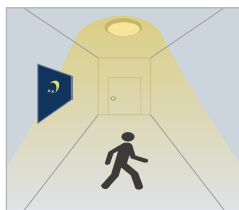
Applications

1. Automatically ON/OFF function:

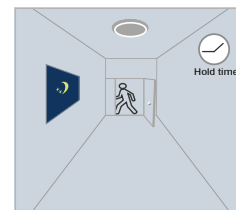
Light on when detect movement and off after people leave at night. Applications: Corridor, Staircase.



With sufficient daylight, even when motion detected, light remains OFF.



With insufficient daylight, when motion detected, light ON.



After the last detection and the present hold time elapsed, light OFF.

2. No daylight function

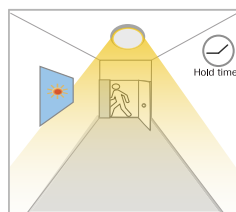
The daylight threshold is set to "Disable".

Light on when detect movement, After people leave, Light off after stand-by period.

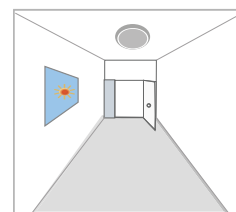
Applications: Dim places such as Basement Parking, Underpass.



When motion is detected, the sensor will switch on the light to 100% brightness.

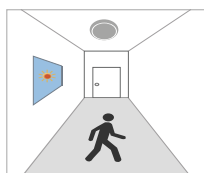


After people leave the detection area, light remains 100% brightness within hold time.



After the last detection and the present hold time elapsed, light OFF.

3. Function Demo - Dimmable control/Corridor function



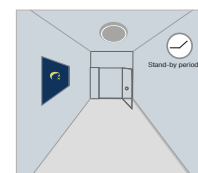
With sufficient daylight, even when motion detected, light remains OFF.



With insufficient daylight, when motion detected, light ON.



After last detection, the light will be dimmed down to the stand-by dimming level (10%,20%,30% or 50%) after holdtime.



After the stand-by period, light OFF.

Attention



1. Please read the instructions carefully before using this product and keep it well for all users to read at any time.
2. The sensor should be installed by qualified electrician and ensure power is off before the installation.
3. We reserve the right to modify any incorrect text, image and necessary technical parameters.
4. Any unauthorized modification is forbidden, otherwise all guarantees will be immediately invalid.

Installation precautions

1. Microwave sensor can be installed in any lamp except the one with full metal shell.
2. The detected surface cannot be shielded by metal objects.
3. Make sure the microwave module is completely exposed outside.
4. The detection surface of the sensor module shall be installed facing the detection area.
5. Should be kept away from the driver to avoid interference generation and lamp flashing.
6. Wiring must be strictly in accordance with the wiring diagram to avoid short circuit.

Application Environment

1. Suitable for indoor installation to avoid false triggering due to external factors such as rain, wind or tree swing.
2. Shall not be installed in the place with all four metal shelters and small space (such as galvanized-iron roof).
3. Shall note be mounted installation, so as to avoid false trigger caused by the lamp itself shaking.
4. Shall not be installed next to large operating machines such as ventilator/ceiling fan to avoid false triggering caused by machine vibration.

User Notes

1. Microwave can penetrate walls or glass thinner than 20cm and attenuate if thicker than 20cm.
2. The driver voltage shall be stable and float within 10%.
3. Detection area will be affected by speed of motion, mounting height and movement volume.
4. Conduct test on sunny days without the lampshade which will affect the tested lux value.