

## MAXUM WATTAGE SELECTABLE AND CCT SELECTABLE NEMA 4X RATED



### Description

The **Maxum** is a **WATTAGE SELECTABLE AND CCT SELECTABLE** high bay featuring a patented design, with aesthetic modeling and unique style. It is occupancy sensor ready (It features a built-in occupancy sensor socket.) It has a luminous output of 170L/W, making it an ideal solution for warehouses, factories, supermarkets, and other indoor applications.

### Features

Available in 90/120/150W or 120/160/200W models, with CCT selectable for 3000K/4000K/5000K. Default setting 4000K. Quality die-cast aluminum construction with multiple beam angle lens options make it a suitable fixture for a multitude of environments.

CRI: RA>70

Beam Angle: 120° (Standard)

Ambient Temperature: -40° to 45° C (-22° to 113° F)

IP65 Rated

IK09

Built-in Occupancy Sensor Socket (Sensor Optional)

Standard 0-10V Dimming down to 10%

### Electrical Specifications

#### NEMA 4X Rated

Wattage Selectable Options: 90/120/150W | 120/160/200W

CCT Selectable: 3000K / 4000K / 5000K

Power Factor: >0.9

Standard 6KV Surge Protection

Efficiency: 170lm/W

Available Voltages: 120-347VAC (CUNV)

0-10V Dimming

Comes with a standard 1.83m (6ft) cord attached. 1.5m (4.92ft) safety cable included.

### Certifications and Warranty

DLC and ETL listed with 6 year warranty.

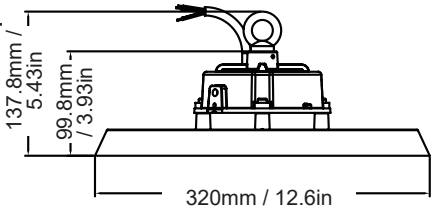


# MAXUM WATTAGE SELECTABLE AND CCT SELECTABLE



Product Information	150W (Selectable)
Installation:	Eye-bolt (standard), Ceiling bracket option
Material:	Die-Cast Aluminum
Finish:	Black
System power (W):	90/120/150W
Fixture lumen output (lm):	15300/20400/25500
System efficiency (lm/W):	170
LED Engine:	SMD2835 LED
LED Driver:	Lifud

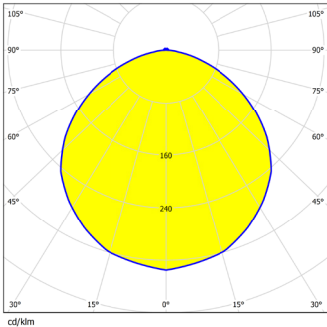
Packaging	
Net weight lamp (kg/lb):	2.3 / 5.07
Gross weight carton (kg/lb):	2.72 / 6.00
Master carton dimensions (mm/in):	340 x 340 x 165 / 13.39 x 13.39 x 6.5
Quantity per carton:	1



### Code composition

Series	Model	Mounting	Wattage-Lumens	Optics	
HB	High Bay	<b>MX</b> Maxum	<b>EB</b> Eye Bolt (Standard)	<b>150WS-255L</b> 150WS-25500lm	<b>120</b> 120D (Standard)
		<b>CB1</b> Ceiling Bracket			

CCT	CRI	Voltage	Dimming	Finish	Lens	Accessories
<b>CCTS</b> 3000K / 4000K / 5000K Selectable	<b>70</b> 70+	<b>CUNV</b> 120-347V	<b>D</b> 0-10V Dimming	<b>BK</b> Black	<b>PCL</b> PC Clear (Standard) <b>PFR</b> PC Frosted	<b>PIR</b> Occupancy Sensor <b>OS</b> Microwave Sensor <b>RC</b> Remote Control (for PIR Occupancy Sensor) <b>RC100</b> Remote Control (for OS Microwave Sensor) <b>EB1</b> Emergency Battery <b>M10-1/4"</b> M10-1/4" Adaptor <b>M10-1/2"</b> M10-1/2" Adaptor <b>M10-3/4"</b> M10-3/4" Adaptor <b>WG1</b> Wire Guard 1 <b>ID</b> Inline Disconnect <b>18AL85</b> 18" (457mm) 85D Aluminum Reflector 1 <b>16PO85S</b> 16" (410mm) 85D Polycarbonate Reflector <b>SPD20</b> 20KV Surge Protection Device



120°



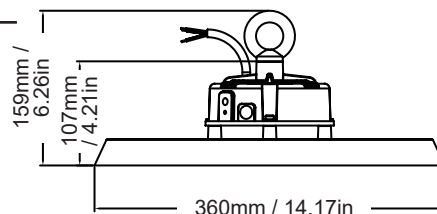


# MAXUM WATTAGE SELECTABLE AND CCT SELECTABLE



Product Information	200W (Selectable)
Installation:	Eye-bolt (standard), Ceiling bracket option
Material:	Die-Cast Aluminum
Finish:	Black
System power (W):	120/160/200W
Fixture lumen output (lm):	20400/27200/34000
System efficiency (lm/W):	170
LED Engine:	SMD2835 LED
LED Driver:	Lifud

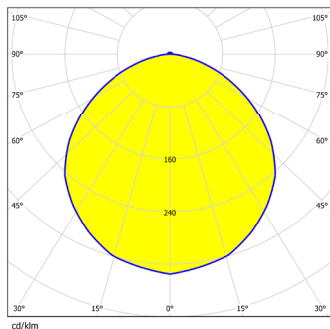
Packaging	
New weight lamp (kg/lb):	2.9 / 6.39
Gross weight carton (kg/lb):	3.36 / 7.41
Master carton dimensions (mm/in):	380 x 380 x 190 / 14.96 x 14.96 x 7.48
Quantity per carton:	1



## Code composition

Series	Model	Mounting	Wattage-Lumens	Optics
HB	High Bay	<b>MX</b> Maxum	<b>EB</b> Eye Bolt (Standard) <b>200WS-340L</b> 200WS-34000lm	<b>120</b> 120D (Standard)
		<b>CB2</b> Ceiling Bracket		

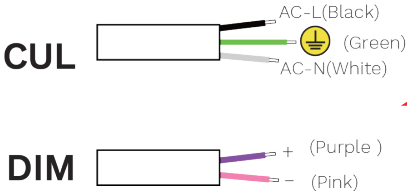
CCT	CRI	Voltage	Dimming	Finish	Lens	Accessories
<b>CCTS</b> 3000K / 4000K / 5000K Selectable	<b>70</b> 70+	<b>CUNV</b> 120-347V	<b>D</b> 0-10V Dimming	<b>BK</b> Black	<b>PCL</b> PC Clear (Standard) <b>PFR</b> PC Frosted	<b>PIR</b> Occupancy Sensor <b>OS</b> Microwave Sensor <b>RC</b> Remote Control (for PIR Occupancy Sensor) <b>RC100</b> Remote Control (for OS Microwave Sensor) <b>EB2</b> Emergency Battery <b>M10-1/4"</b> M10-1/4" Adaptor <b>M10-1/2"</b> M10-1/2" Adaptor <b>M10-3/4"</b> M10-3/4" Adaptor <b>WG2</b> Wire Guard 2 <b>ID</b> Inline Disconnect <b>20AL85</b> 20.7" (525mm) 85D Aluminum Reflector 2 <b>16PO85L</b> 16" (410mm) 85D Polycarbonate Reflector <b>SPD20</b> 20KV Surge Protection Device



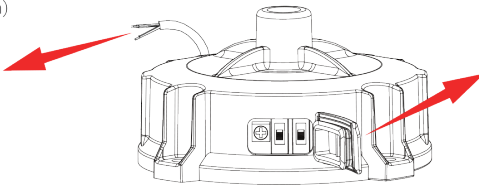
120°

# MAXUM WATTAGE SELECTABLE AND CCT SELECTABLE

### Wiring Diagram

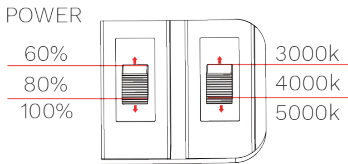


### Dustproof Cover



Open the dustproof cover

### Power Switches



### Mounting Options

Eye Bolt (Standard)

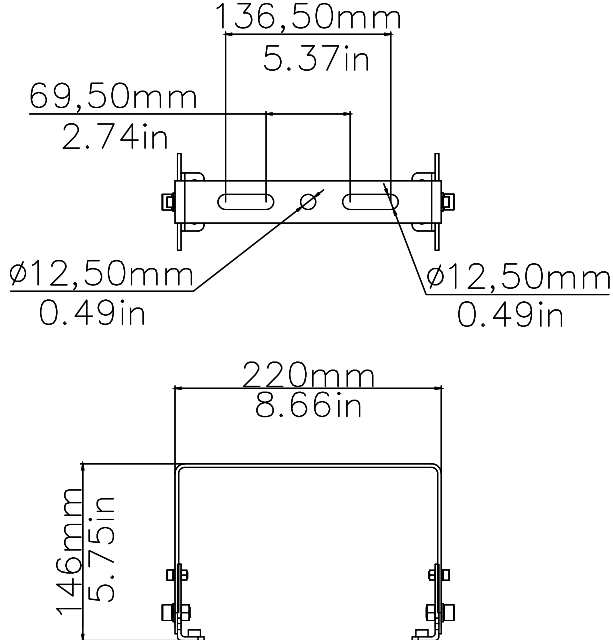


Ceiling Bracket

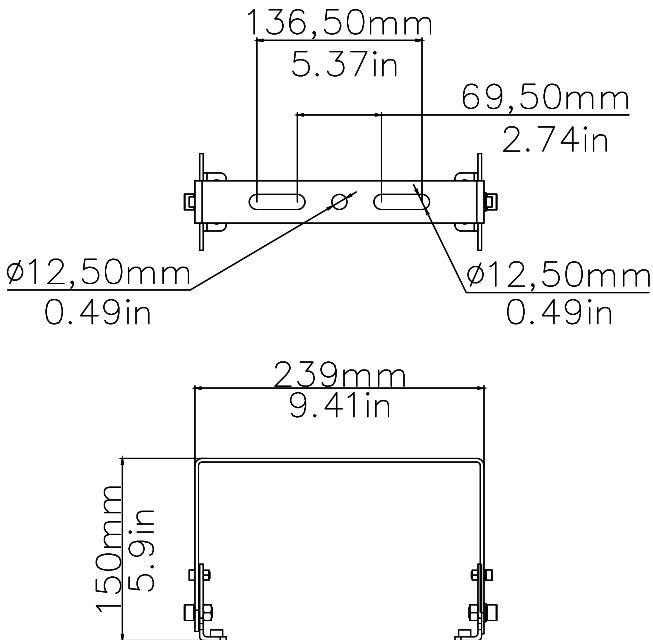


### Ceiling Bracket Dimensions

CB1 - 150WS

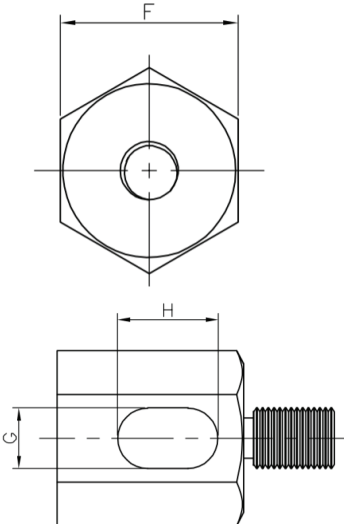
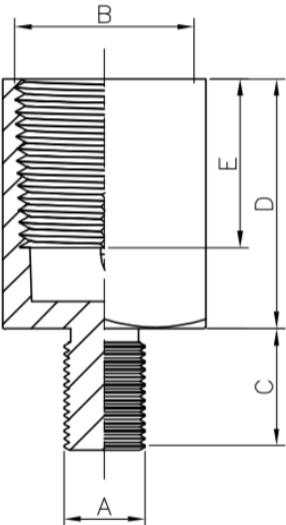
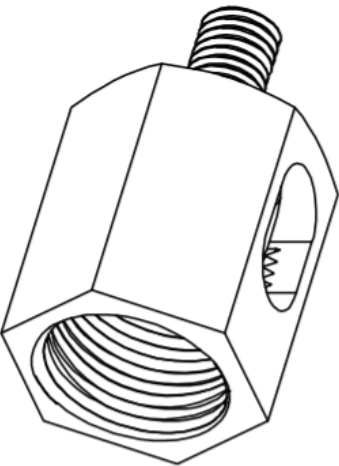


CB2 - 200WS



**MAXUM  
WATTAGE SELECTABLE  
AND CCT SELECTABLE**

**Adaptor Dimensions**



**UNIT: mm**

<b>A</b>	<b>B</b>	<b>C</b>	<b>D</b>	<b>E</b>	<b>F</b>	<b>G</b>	<b>H</b>
<b>M10X1.5 Adaptor</b>	1/2"-14 NPT	18	37	25	30	13	23
	1/4"-14 NPT	18	37	25	25	13	23
	3/4"-14 NPT	18	37	25	30	12	20
<b>M12X1.75 Adaptor</b>	1/2"-14 NPT	18	37	25	30	13	23
	1/4"-14 NPT	18	37	25	25	13	23
	3/4"-14 NPT	18	37	25	30	12	20

**UNIT: in**

<b>A</b>	<b>B</b>	<b>C</b>	<b>D</b>	<b>E</b>	<b>F</b>	<b>G</b>	<b>H</b>
<b>M10X1.5 Adaptor</b>	1/2"-14 NPT	0.71	1.46	0.98	1.18	0.51	0.91
	1/4"-14 NPT	0.71	1.46	0.98	0.98	0.51	0.91
	3/4"-14 NPT	0.71	1.46	0.98	1.18	0.47	0.79
<b>M12X1.75 Adaptor</b>	1/2"-14 NPT	0.71	1.46	0.98	1.18	0.51	0.91
	1/4"-14 NPT	0.71	1.46	0.98	0.98	0.51	0.91
	3/4"-14 NPT	0.71	1.46	0.98	1.18	0.47	0.79

# MAXUM WATTAGE SELECTABLE AND CCT SELECTABLE

## ACCESSORIES

PIR Occupancy Sensor



OS Microwave Sensor



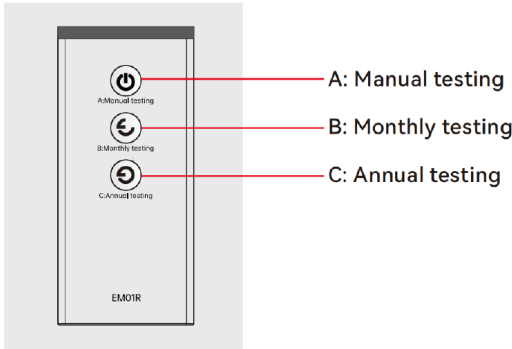
RC Remote Control  
(For PIR Occupancy Sensors)



RC100  
(For OS Microwave Sensor)



Remote Control RC-EB



Emergency Battery

EB1 30W 120-347V (150WS)  
EB2 40W 120-347V (200WS)



Wire Guard

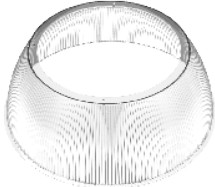


Wireguard includes 4  
PWM3\*5mm stainless  
steel screws

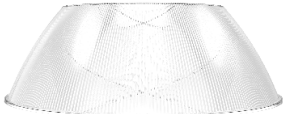
# MAXUM WATTAGE SELECTABLE AND CCT SELECTABLE

## REFLECTOR

16PO85S Reflector  
16" Polycarbonate 85D Reflector



16PO85L Reflector  
16" Polycarbonate 85D Reflector



18AL85 Reflector  
18" Aluminum 85D Reflector

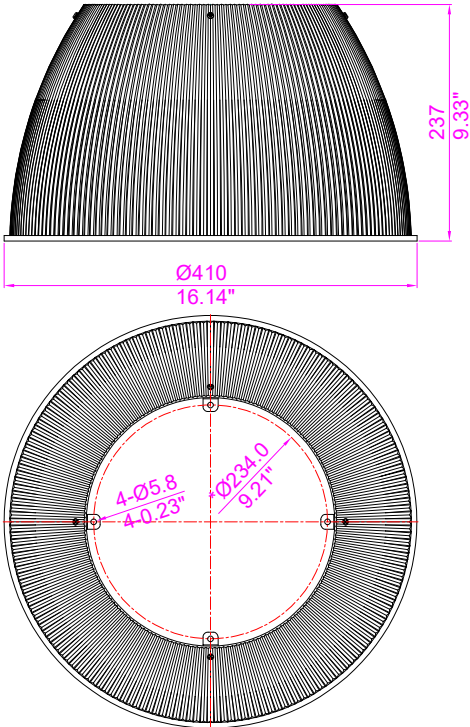


20AL85 Reflector  
20" Aluminum 85D Reflector

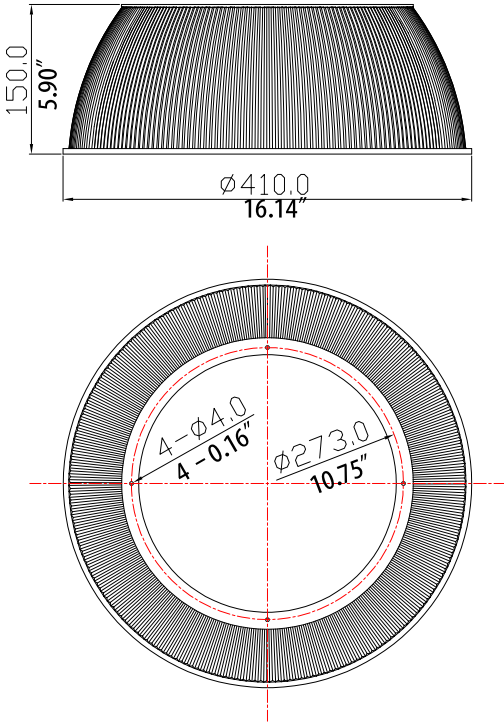


## REFLECTOR DIMENSIONS

16PO85S Reflector - 150WS



16PO85L Reflector - 200WS

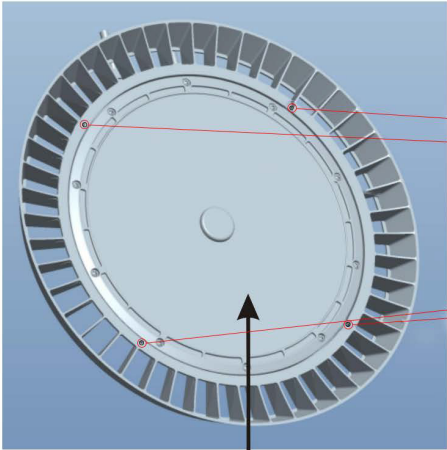
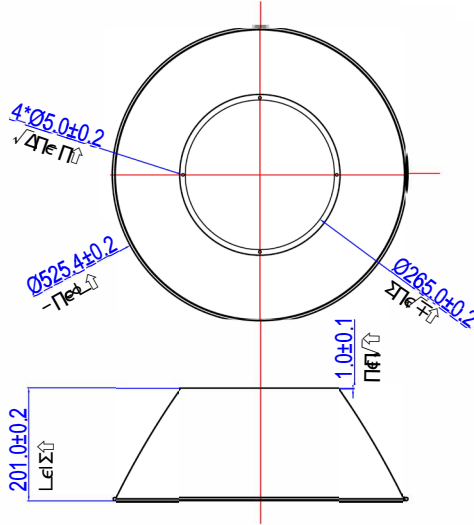
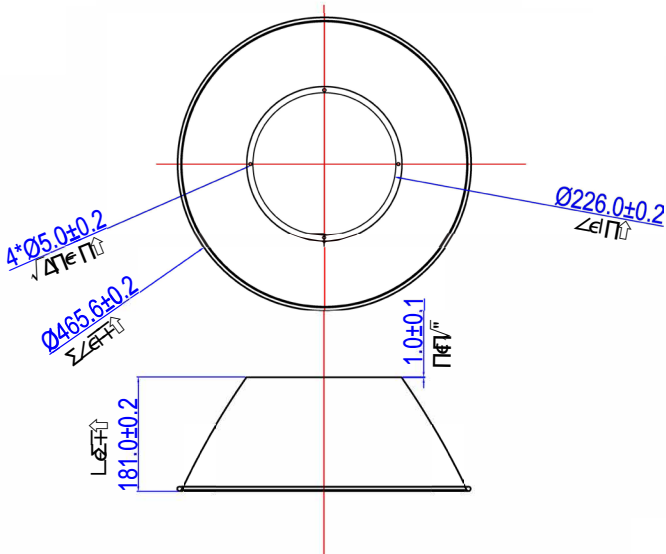


# MAXUM WATTAGE SELECTABLE AND CCT SELECTABLE

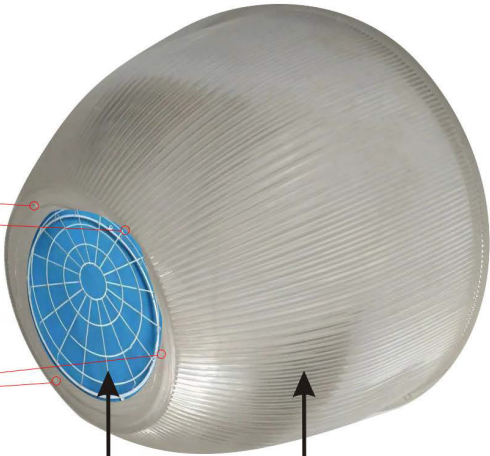
## REFLECTOR DIMENSIONS

16PO85 Reflector - 150WS

16PO85 Reflector - 200WS



Housing



Reflector with Wireguard